



US00D424054S

United States Patent [19] Fitzgerald

[11] **Patent Number: Des. 424,054**

[45] **Date of Patent: ** *May 2, 2000**

[54] **CORDLESS TELEPHONE HEADSET**

[76] Inventor: **Robert M. Fitzgerald**, 2290 S. Parker Rd., Suite 150, Denver, Colo. 80231

[*] Notice: This patent is subject to a terminal disclaimer.

[**] Term: **14 Years**

[21] Appl. No.: **29/101,849**

[22] Filed: **Mar. 12, 1999**

[51] **LOC (7) Cl.** **14-03**

[52] **U.S. Cl.** **D14/142; D14/206**

[58] **Field of Search** D14/137, 138, D14/147-148, 247-248, 240, 140, 142, 205, 206, 223, 226; 379/430, 446, 433, 434, 419, 420, 428, 440; 455/550-575, 90; 381/375-378, 370, 385, 374, 380

[56] **References Cited**

U.S. PATENT DOCUMENTS

- D. 305,759 1/1990 Balbuena .
- D. 327,265 6/1992 Jasey .
- D. 337,116 7/1993 Hattori .
- D. 342,947 1/1994 Totsuka .
- D. 344,730 3/1994 Gattey et al. .
- D. 364,617 11/1995 Fitzgerald .
- D. 394,058 5/1998 Fitzgerald .
- D. 394,436 5/1998 Hall et al. .
- D. 406,140 2/1999 Hall et al. D14/205
- 4,484,029 11/1984 Kenney .
- 4,882,745 11/1989 Silver .
- 5,003,589 3/1991 Chan .
- 5,086,464 2/1992 Groppe .
- 5,117,464 5/1992 Jones et al. .

- 5,469,505 11/1995 Gattey et al. .
- 5,528,689 6/1996 Chan .
- 5,794,127 8/1998 Lansang 381/370 X

OTHER PUBLICATIONS

Hello Direct, Winter 1991, p. 6, Cordless Headset.

Primary Examiner—Jeffrey Asch
Attorney, Agent, or Firm—Chrisman, Bynum & Johnson, P.C.

[57] **CLAIM**

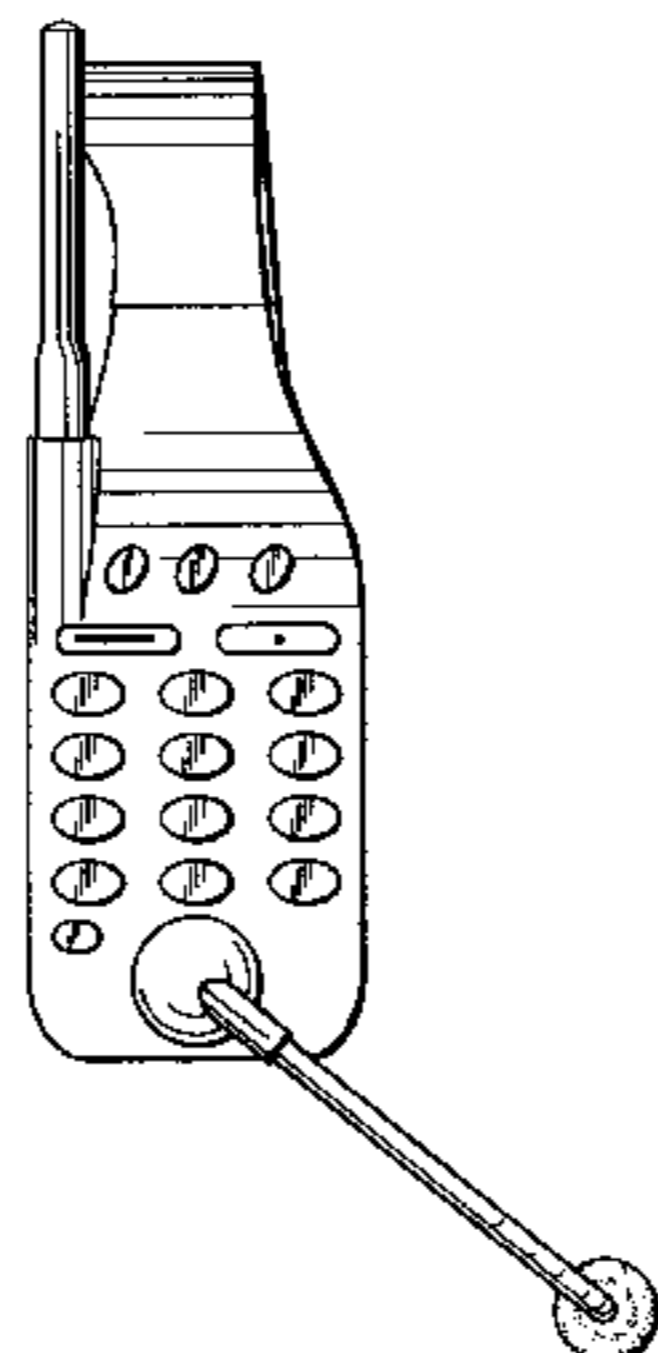
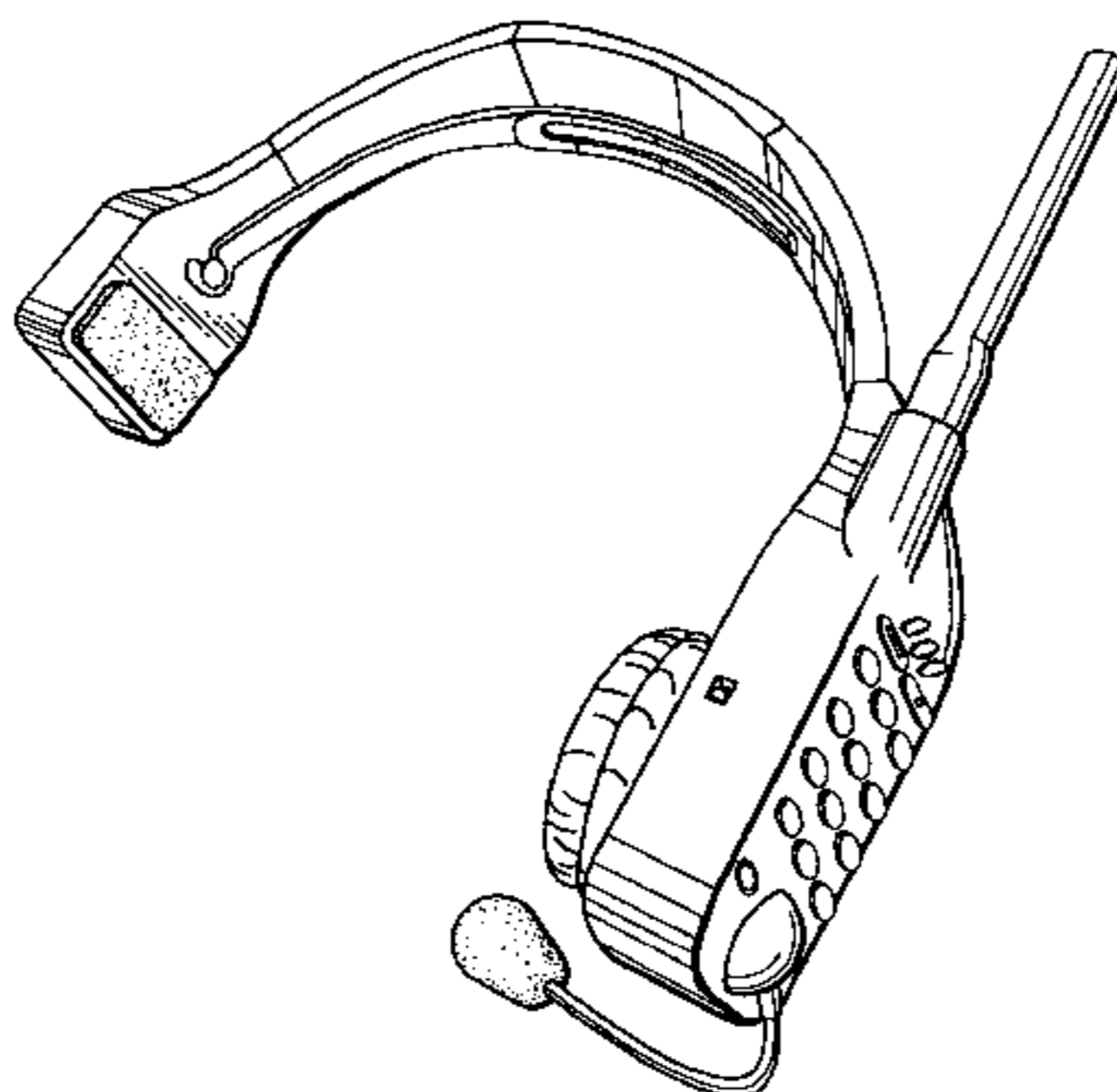
The ornamental design for a cordless telephone handset, as shown and described.

DESCRIPTION

FIG. 1 is a right side rear perspective view of a cordless telephone headset showing my new design;
FIG. 2 is a rear elevation view;
FIG. 3 is a right side elevation view;
FIG. 4 is a left side elevation view;
FIG. 5 is a front elevation view;
FIG. 6 is a bottom plan view;
FIG. 7 is a top plan view; and,
FIG. 8 is a right side rear perspective view thereof showing, in phantom, a telephone base supporting said cordless telephone headset therein.

The broken line showing in FIG. 8 is for illustrative purposes only and forms no part of the claimed design. Portions of the broken line disclosure in FIG. 8 have been shown through the solid line disclosure for convenience of illustration. The headset of FIG. 8 being the same in appearance as that shown in FIG. 1, except the microphone has been rotated to an alternate position.

1 Claim, 4 Drawing Sheets



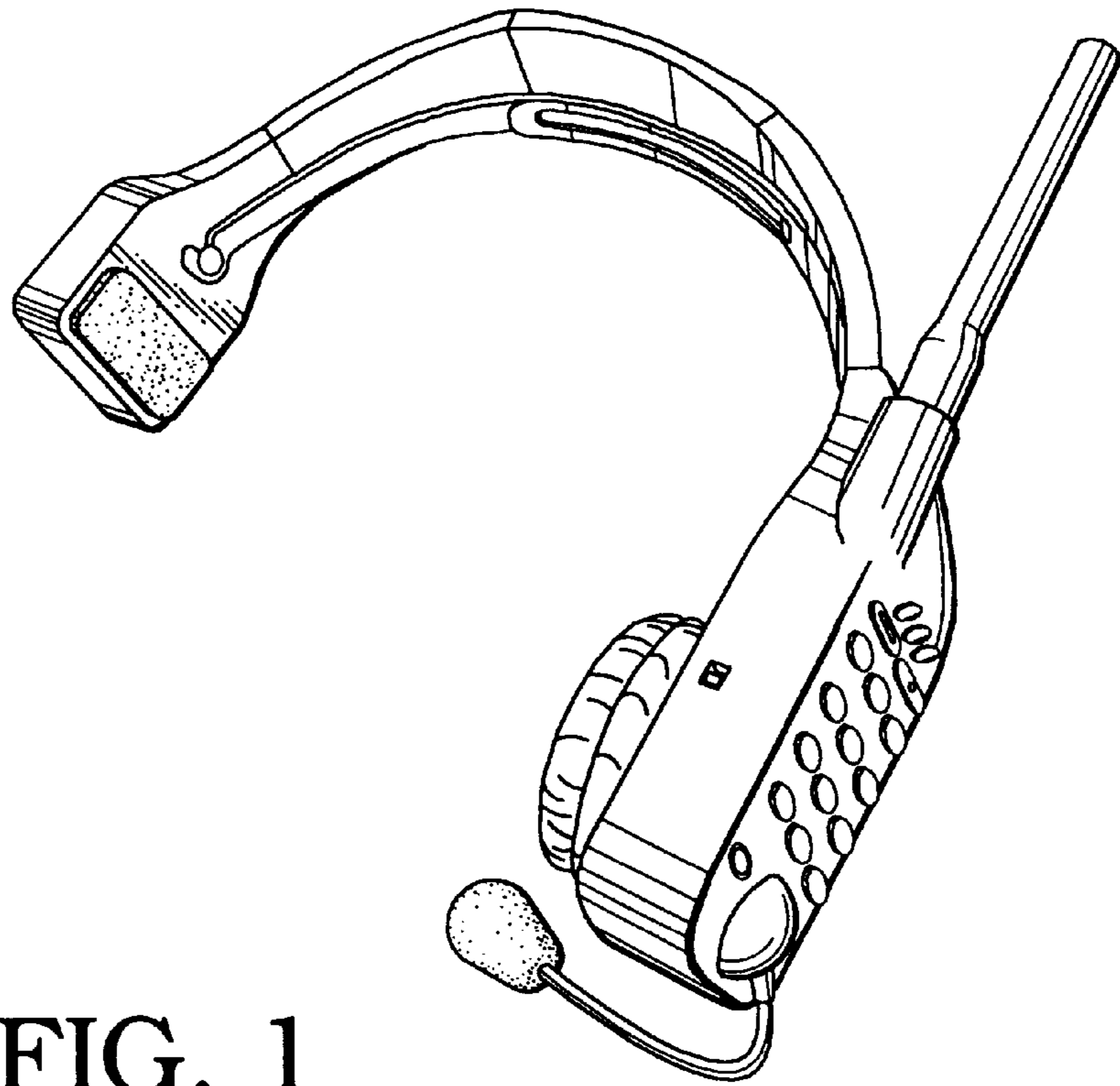


FIG. 1

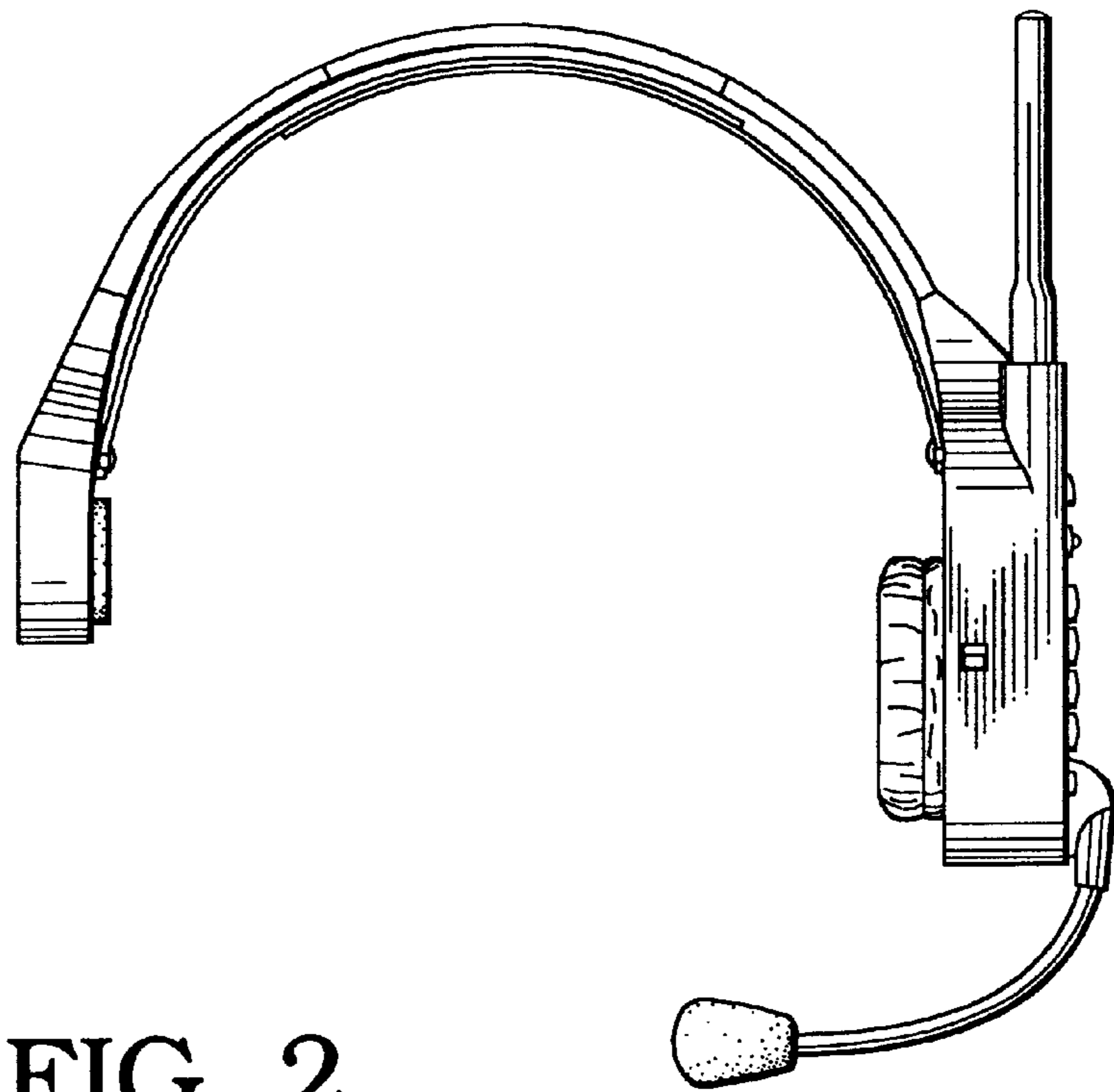


FIG. 2

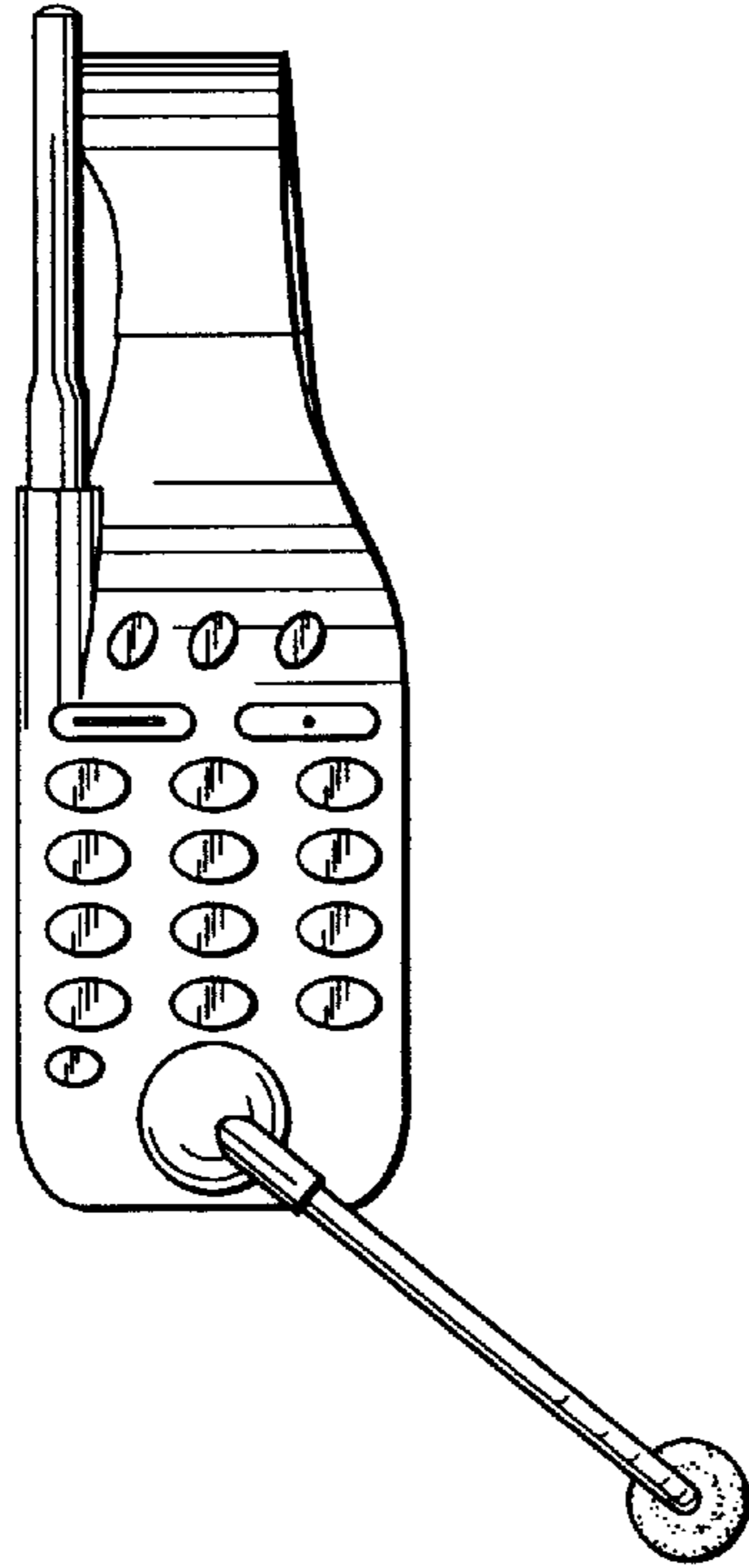


FIG. 3

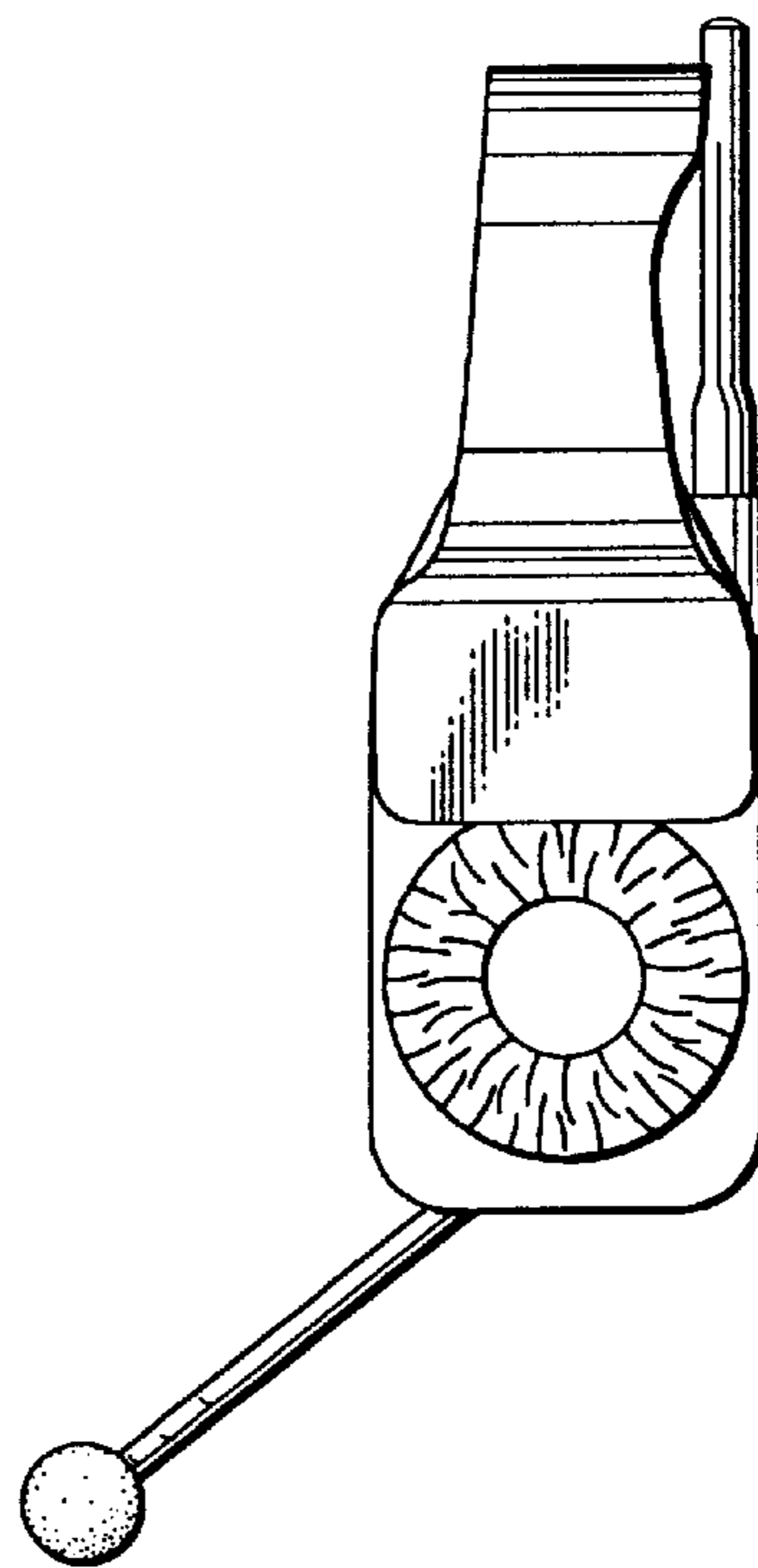


FIG. 4

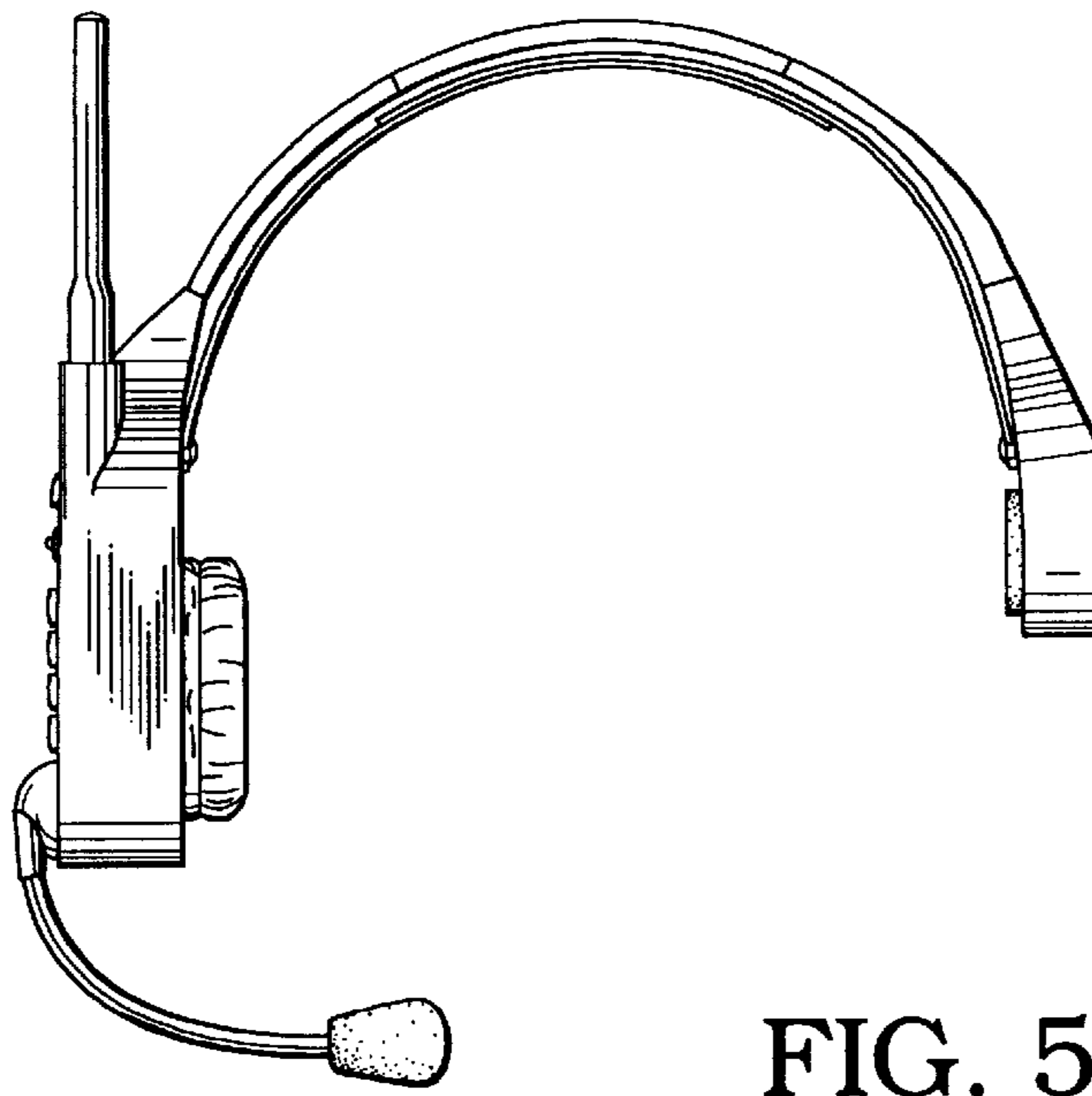


FIG. 5

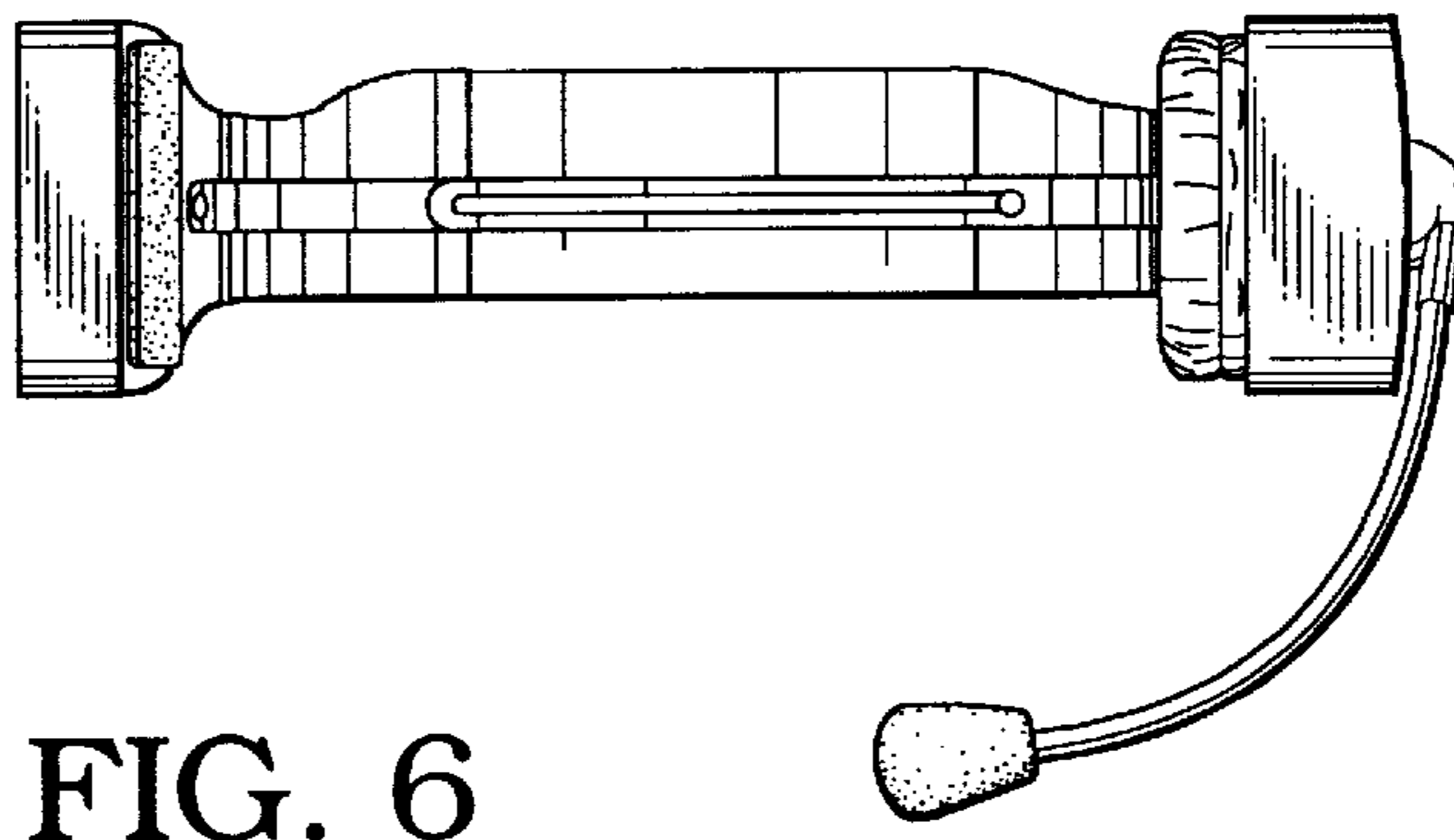


FIG. 6

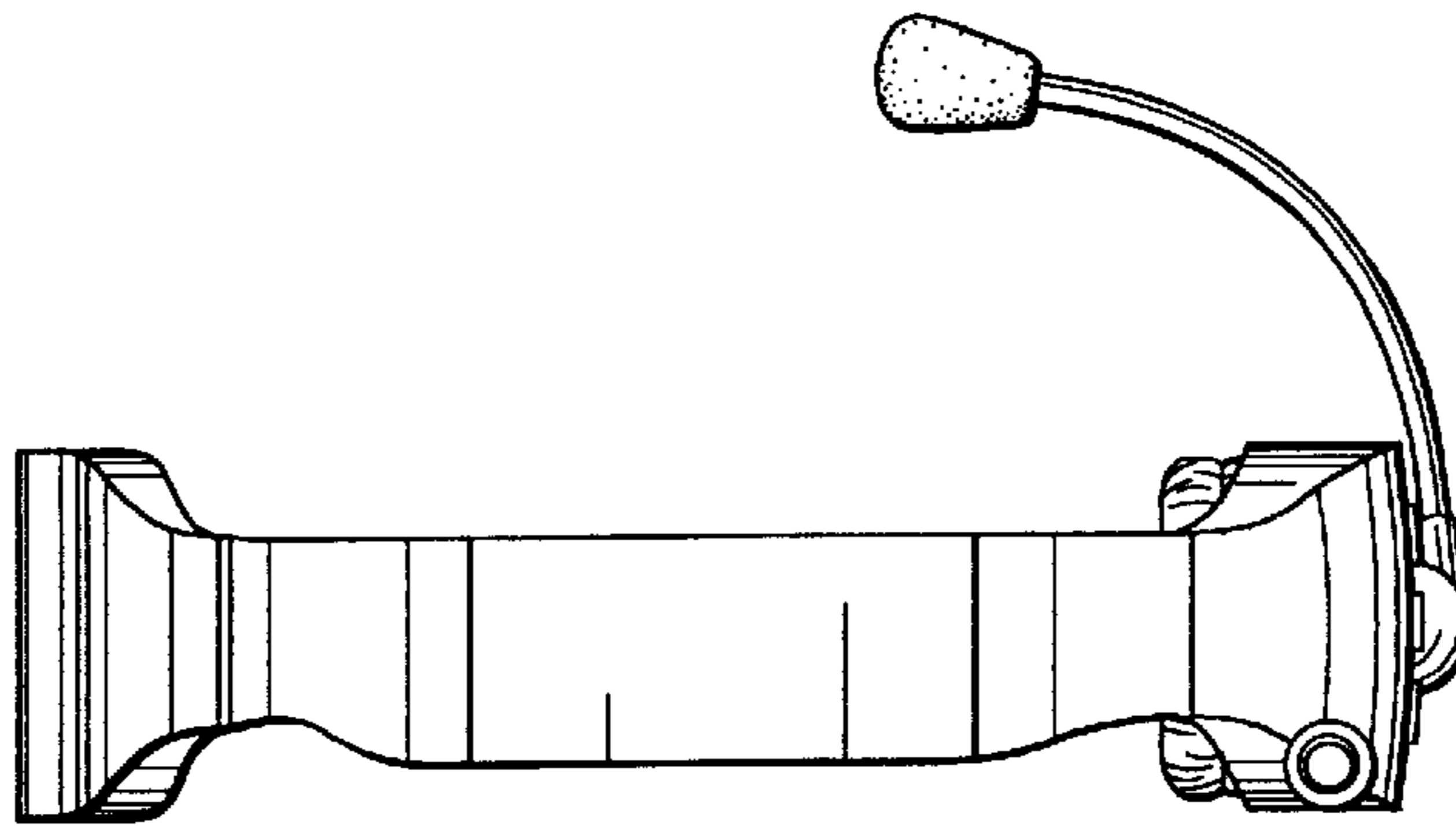


FIG. 7

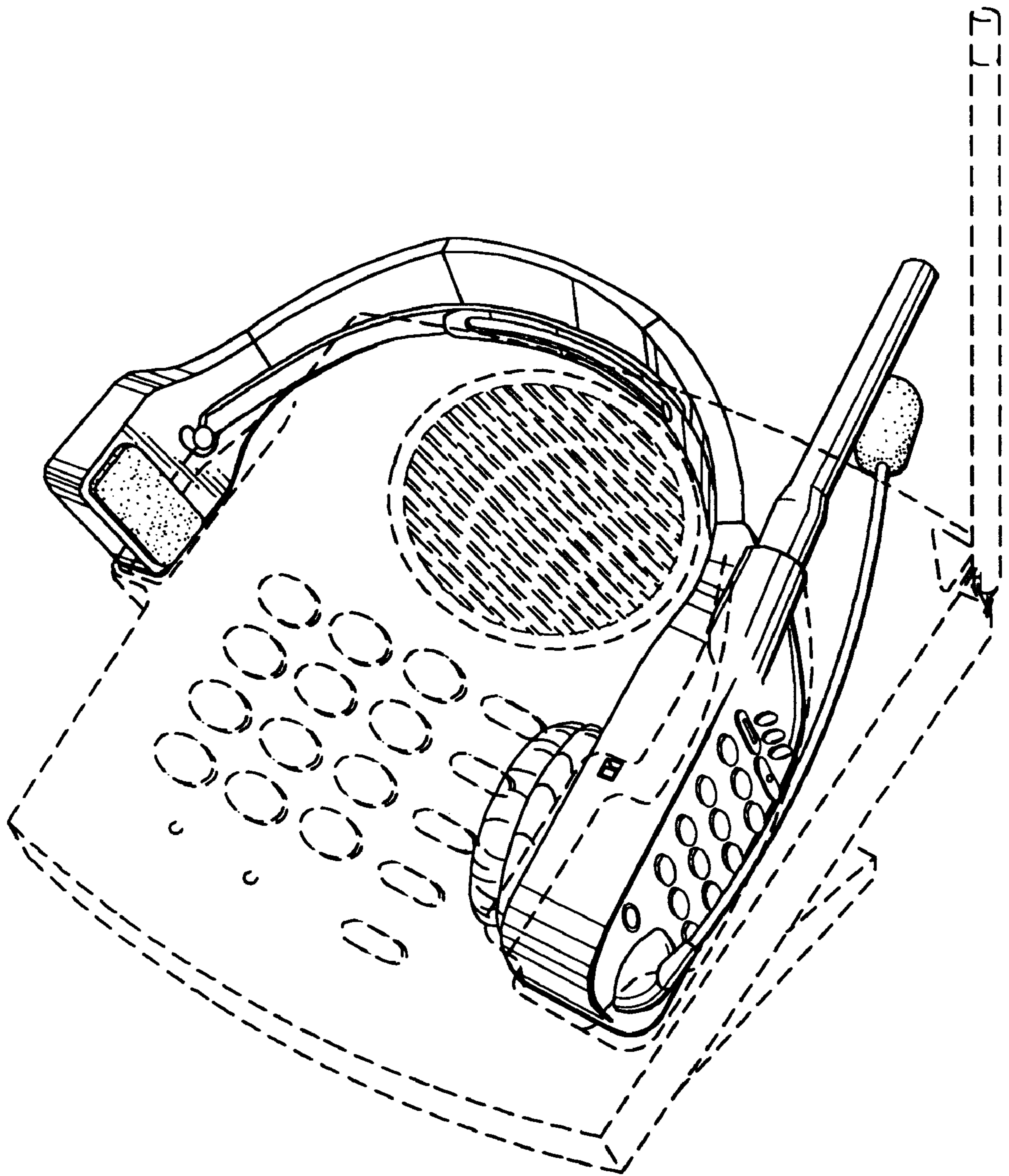


FIG. 8