



US00D424050S

# United States Patent [19]

Sakamoto et al.

[11] Patent Number: Des. 424,050

[45] Date of Patent: \*\* May 2, 2000

## [54] COMBINED DIGITAL VIDEO DISC PLAYER WITH LIQUID CRYSTAL MONITOR

[75] Inventors: Satoshi Sakamoto, Osaka; Shinji Makino, Nara; Takao Yoshioka, Osaka, all of Japan

[73] Assignee: Matsushita Electric Industrial Co.,Ltd., Japan

[\*\*] Term: 14 Years

[21] Appl. No.: 29/105,305

[22] Filed: May 21, 1999

### [30] Foreign Application Priority Data

Nov. 27, 1998 [JP] Japan ..... 10-34350

[51] LOC (7) Cl. .... 14-01

[52] U.S. Cl. .... D14/136

[58] Field of Search ..... D14/106, 129, D14/132, 135, 136; 386/125, 126; 369/75.1, 75.2

### [56] References Cited

#### U.S. PATENT DOCUMENTS

- D. 337,327 7/1993 Suzuki ..... D14/136
- D. 338,003 8/1993 Nakayama ..... D14/136
- D. 371,357 7/1996 Nakamura ..... D14/136
- D. 377,648 1/1997 Young ..... D14/136
- D. 409,184 5/1999 Sakamoto et al. .... D14/136

#### FOREIGN PATENT DOCUMENTS

- 868899 5/1993 Japan .
- 970935 12/1996 Japan .
- 1023660 10/1998 Japan .

Primary Examiner—Richelle Shelton  
Attorney, Agent, or Firm—Saidman DesignLaw Group

### [57] CLAIM

The ornamental design for a combined digital video disc player with liquid crystal monitor, as shown and described.

### DESCRIPTION

FIG. 1 is a perspective view of the top, front and right side of a combined digital video disc player with liquid crystal monitor showing our new design; FIG. 2 is a top plan view thereof; FIG. 3 is a front view thereof; FIG. 4 is a right side view thereof; FIG. 5 is a left side view thereof; FIG. 6 is a rear view thereof; FIG. 7 is a bottom view thereof; FIG. 8 is a perspective view thereof with the liquid crystal monitor in open condition; and, FIG. 9 is a perspective view thereof with the liquid crystal monitor and the lid of disc inserting part in open condition. The surfaces or portions of the article not shown in the drawing or described in the specification form no part of the claimed design.

1 Claim, 6 Drawing Sheets

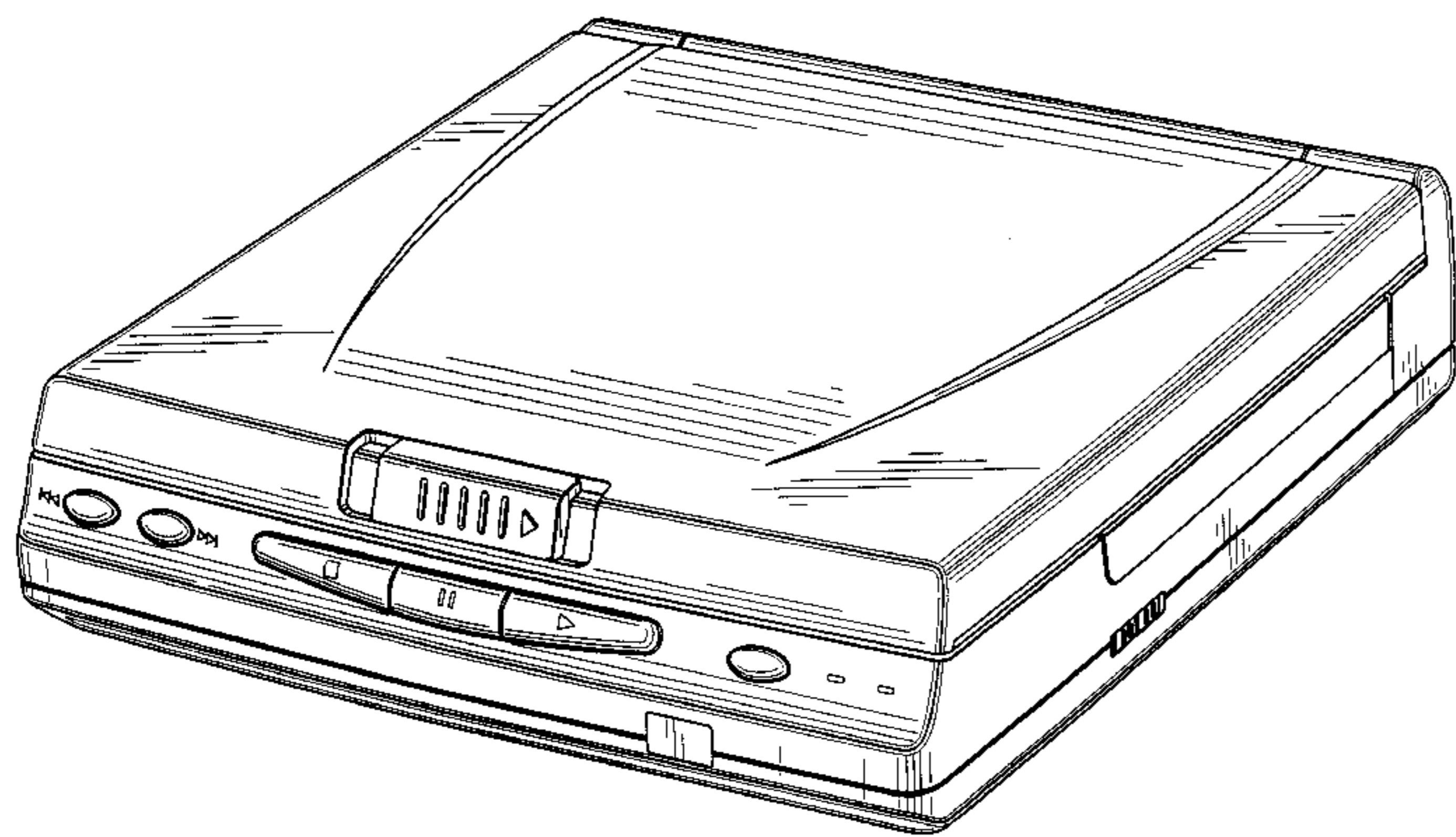


FIG. 1

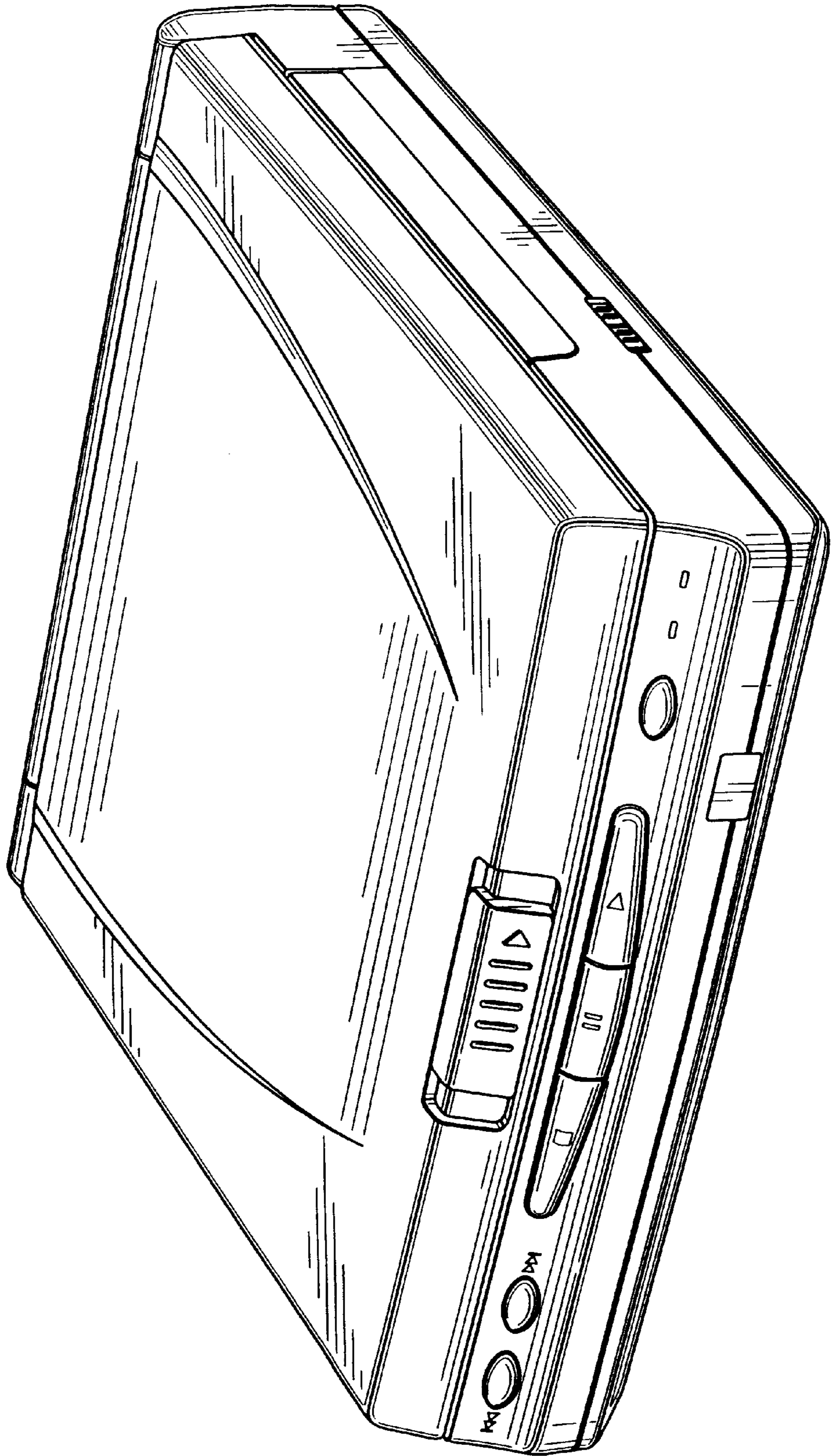


FIG. 2

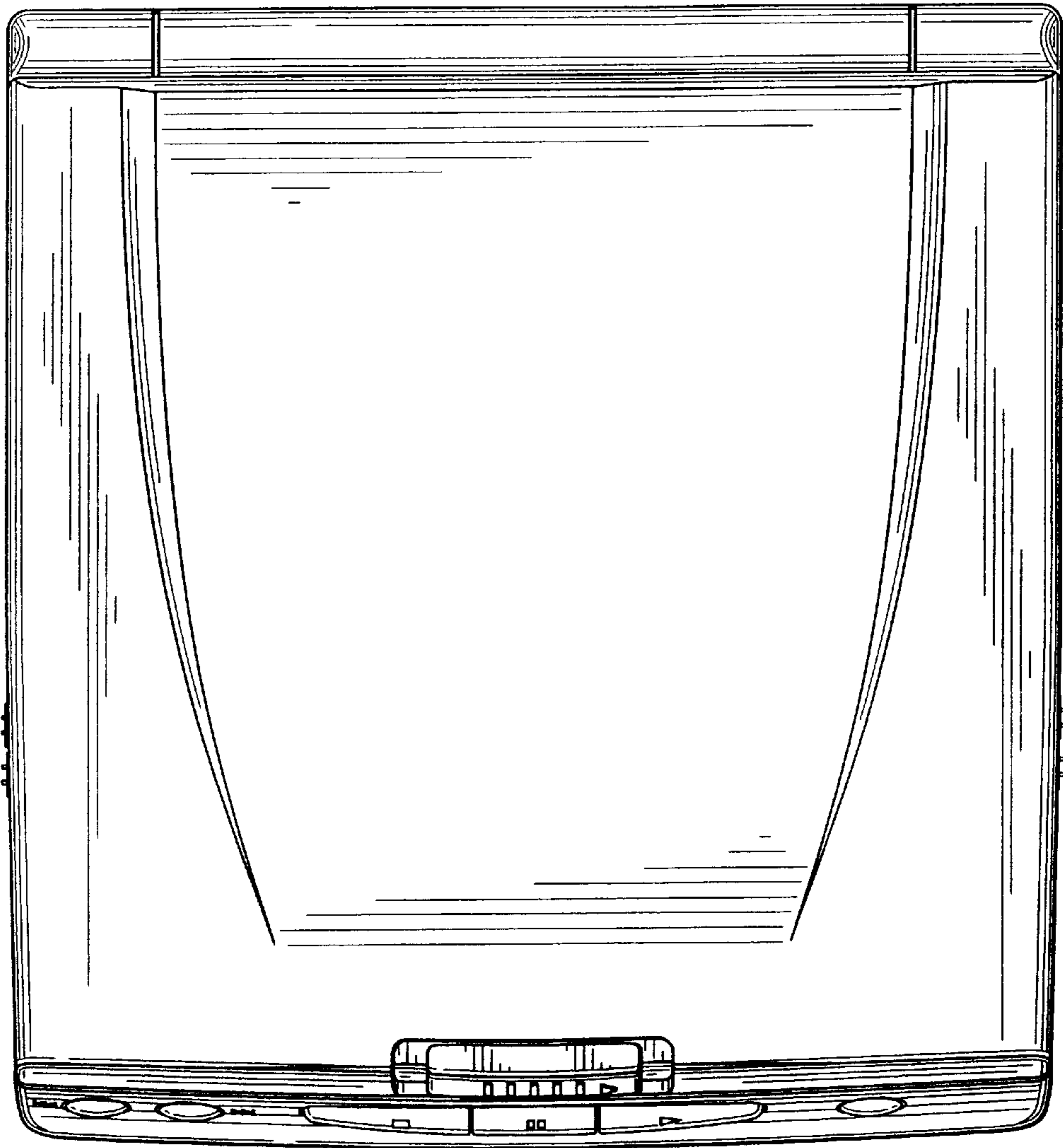
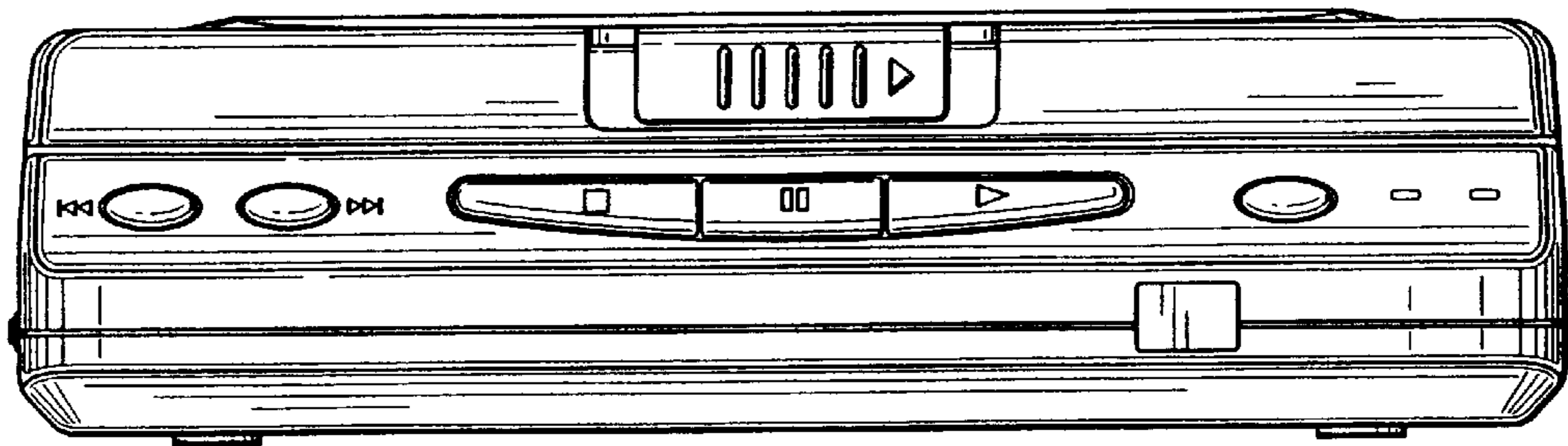
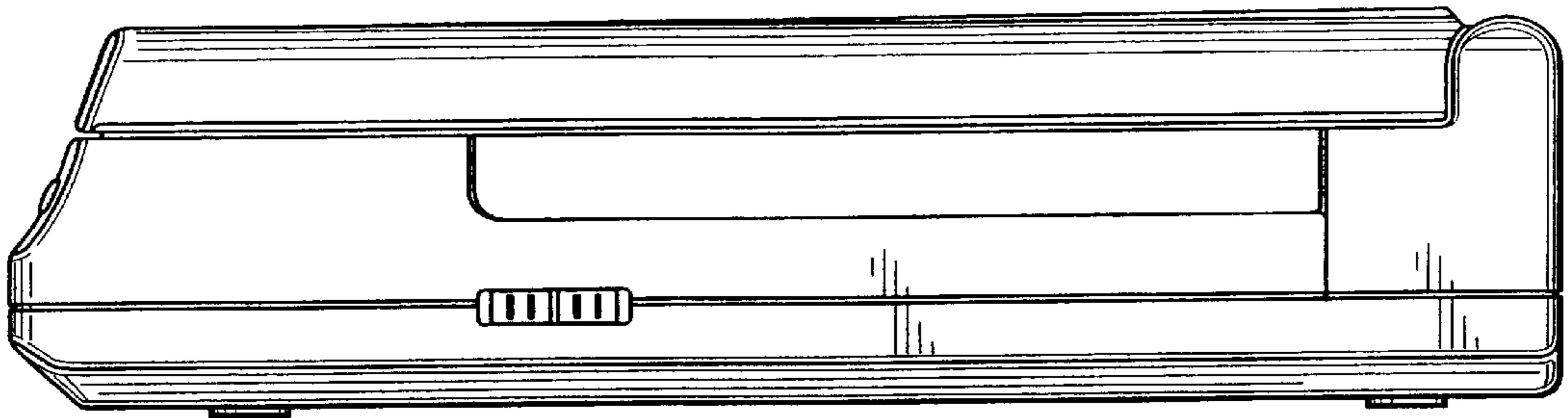


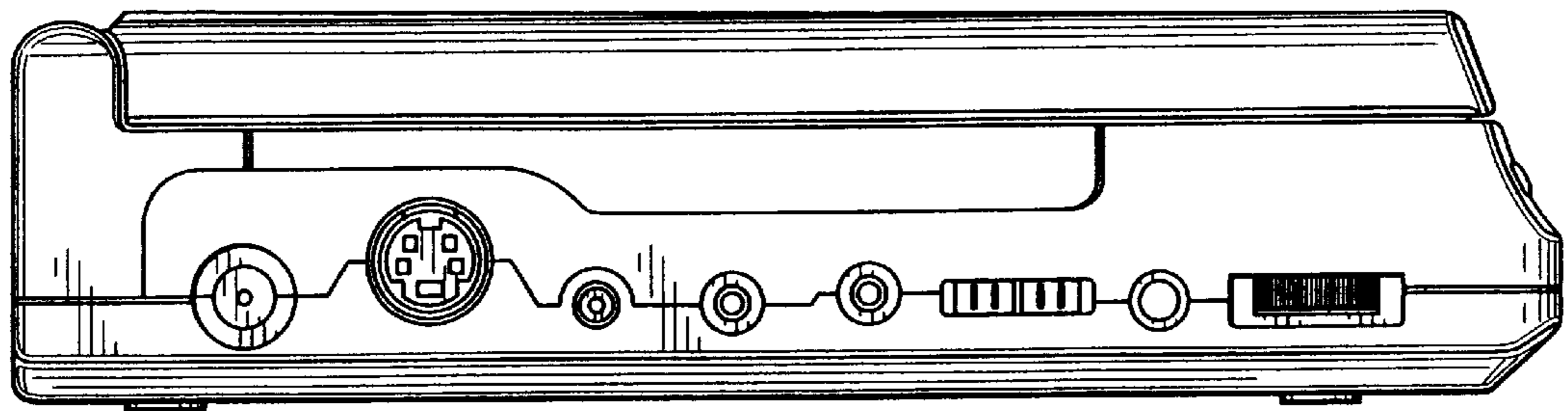
FIG. 3



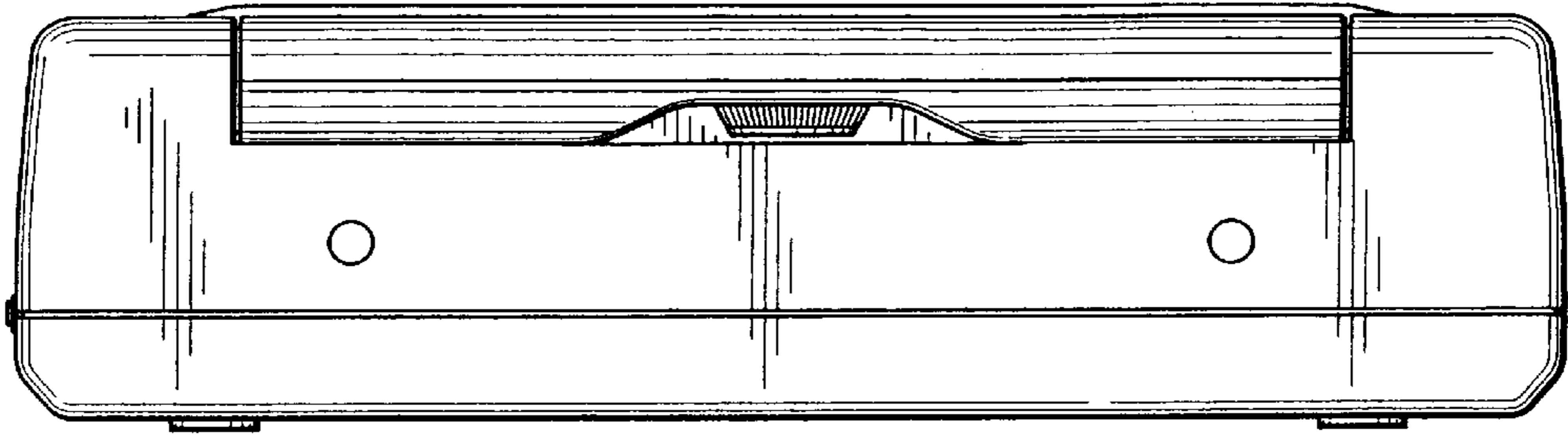
*FIG. 4*



*FIG. 5*



*FIG. 6*



*FIG. 7*

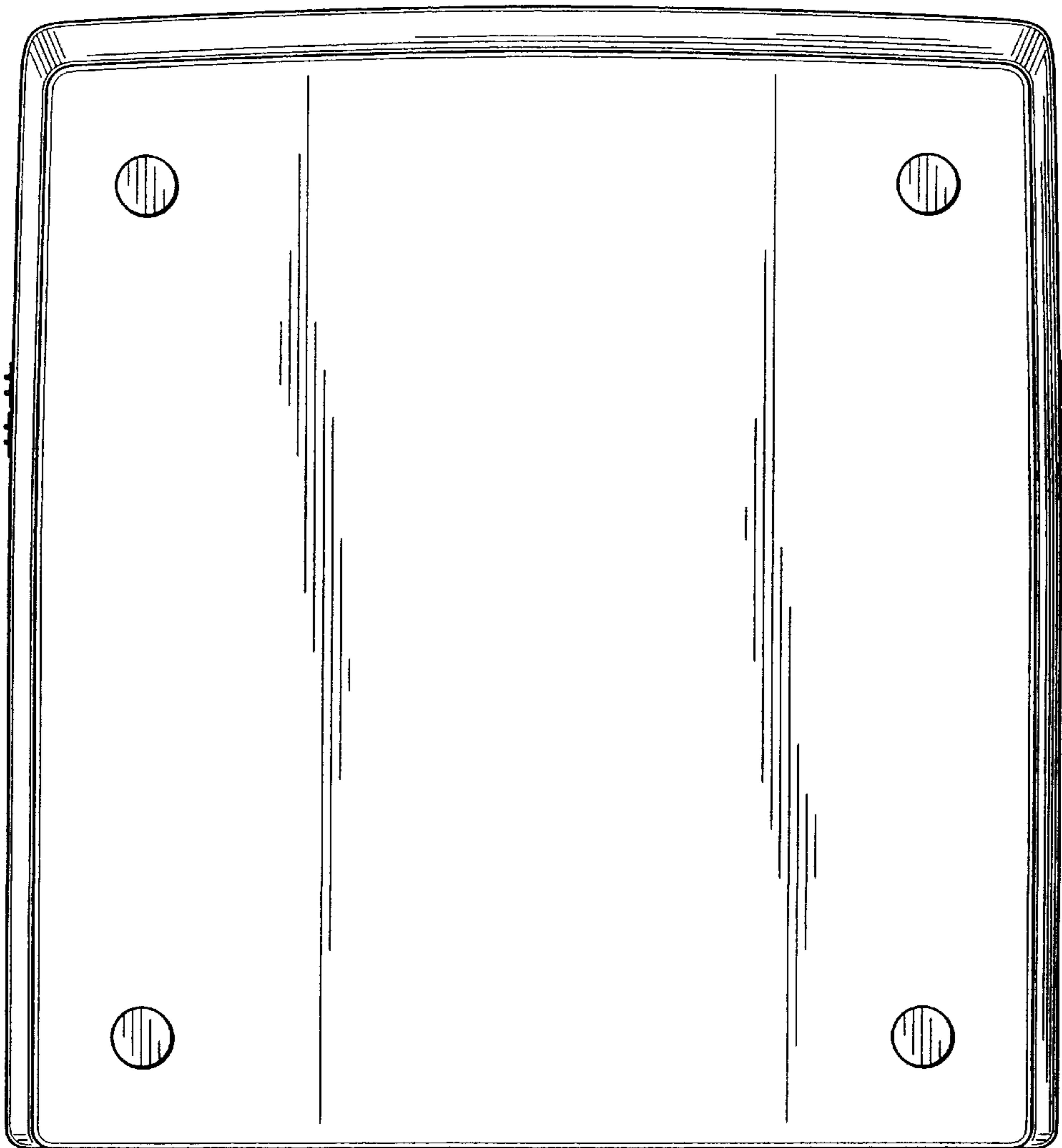
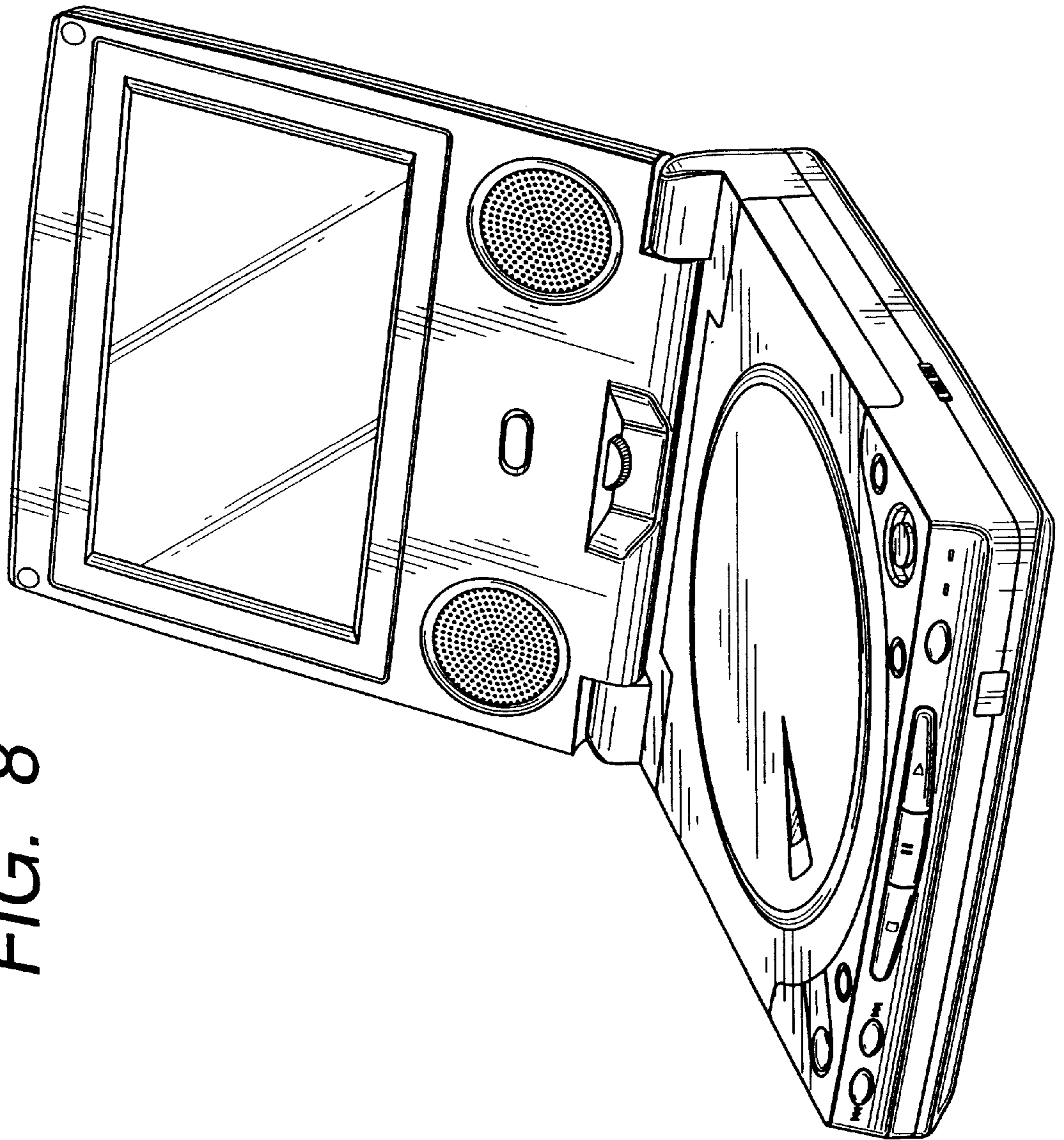


FIG. 8



*FIG. 9*

