



US00D424047S

United States Patent [19] Chan

[11] **Patent Number: Des. 424,047**

[45] **Date of Patent: ** May 2, 2000**

[54] **GAME CONTROL PAD**

[76] Inventor: **Wah Leung Chan**, Flat L, Block 4,
12/F., Kwun Tong Ind. Bldg., 436-446
Kwun Tong Road, Kowloon, The Hong
Kong Special Administrative Region of
the People's Republic of China

[**] Term: **14 Years**

[21] Appl. No.: **29/108,170**

[22] Filed: **Jul. 21, 1999**

[51] **LOC (7) Cl. 21-01**

[52] **U.S. Cl. D14/117.9**

[58] **Field of Search** D14/117.1, 117.5-117.9,
D14/114, 124; D21/324, 333, 328; 463/1,
29-35, 38, 46, 47; 273/148 B

[56] **References Cited**

U.S. PATENT DOCUMENTS

D. 380,783	7/1997	Tyler	D14/117.9
D. 382,603	8/1997	Goto	D14/117.9
D. 405,120	2/1999	Goto	D14/117.9
D. 410,643	6/1999	Tonino	D14/117.9

D. 410,914	6/1999	Tyler et al.	D14/117.9
4,870,389	9/1989	Ishiwata et al.	273/148 B X
5,184,830	2/1993	Okada et al.	463/46
5,207,426	5/1993	Inoue et al.	463/36

Primary Examiner—Prabhakar Deshmukh
Attorney, Agent, or Firm—Alix, Yale & Ristas, LLP

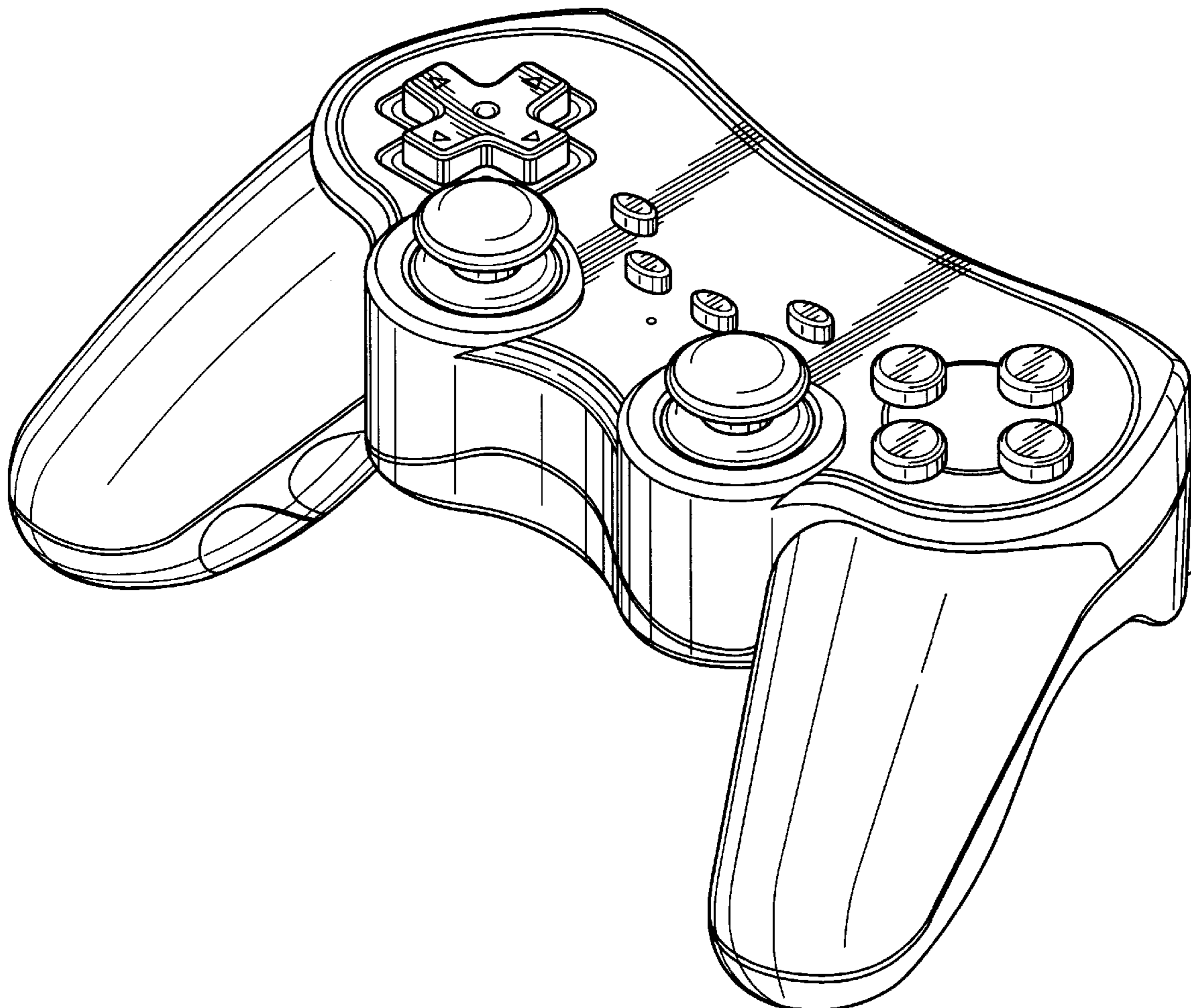
[57] **CLAIM**

The ornamental design for a game control pad, as shown and described.

DESCRIPTION

FIG. 1 is a front perspective view of the game control pad showing my new design;
FIG. 2 is a front view of the game control pad of FIG. 1;
FIG. 3 is a rear view of the game control pad of FIG. 1;
FIG. 4 is a left side view of the game control pad of FIG. 1;
FIG. 5 is a right side view of the game control pad of FIG. 1;
FIG. 6 is a top plan view of the game control pad of FIG. 1;
and,
FIG. 7 is a bottom plan view of the game control pad of FIG. 1.

1 Claim, 4 Drawing Sheets



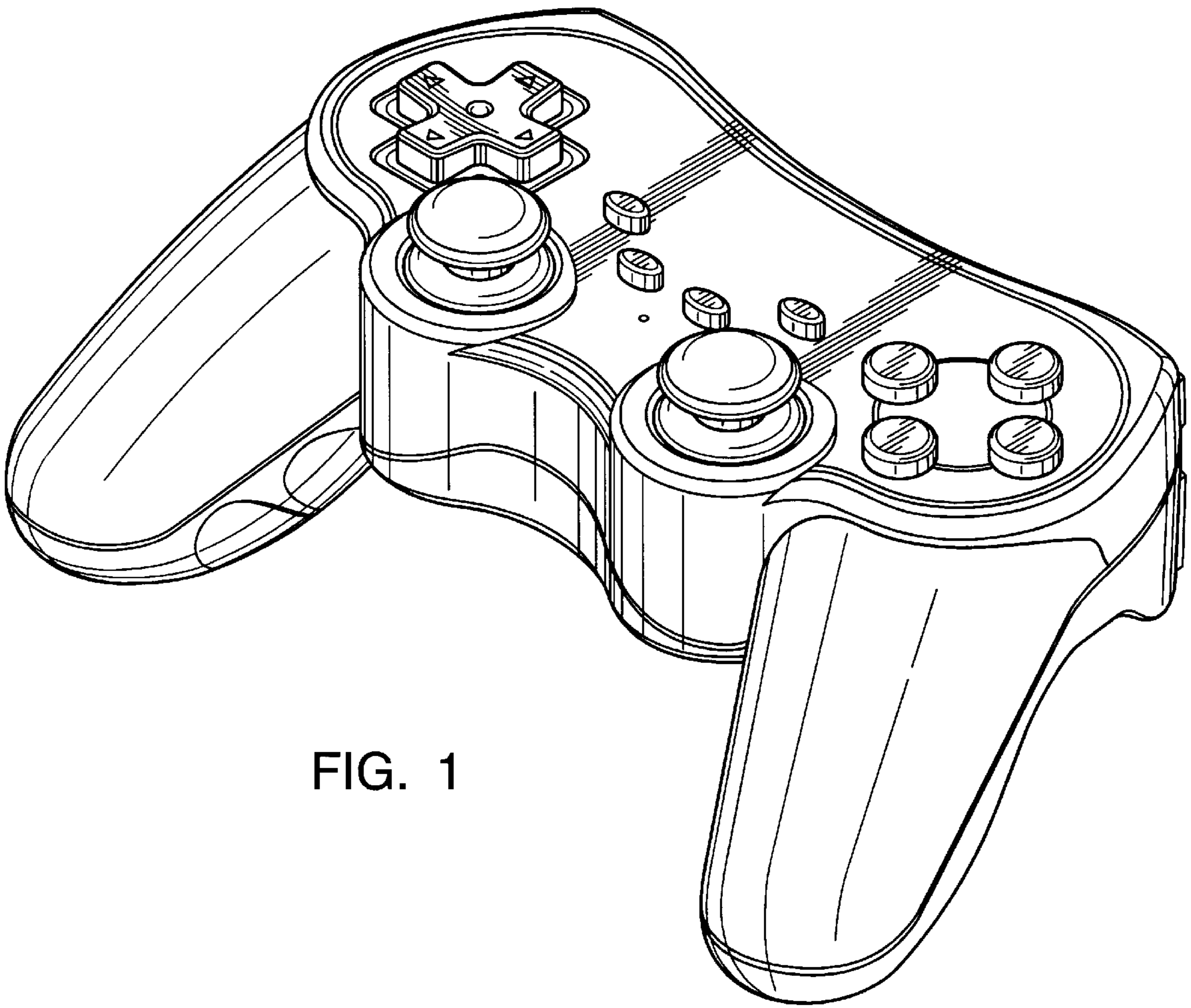


FIG. 1

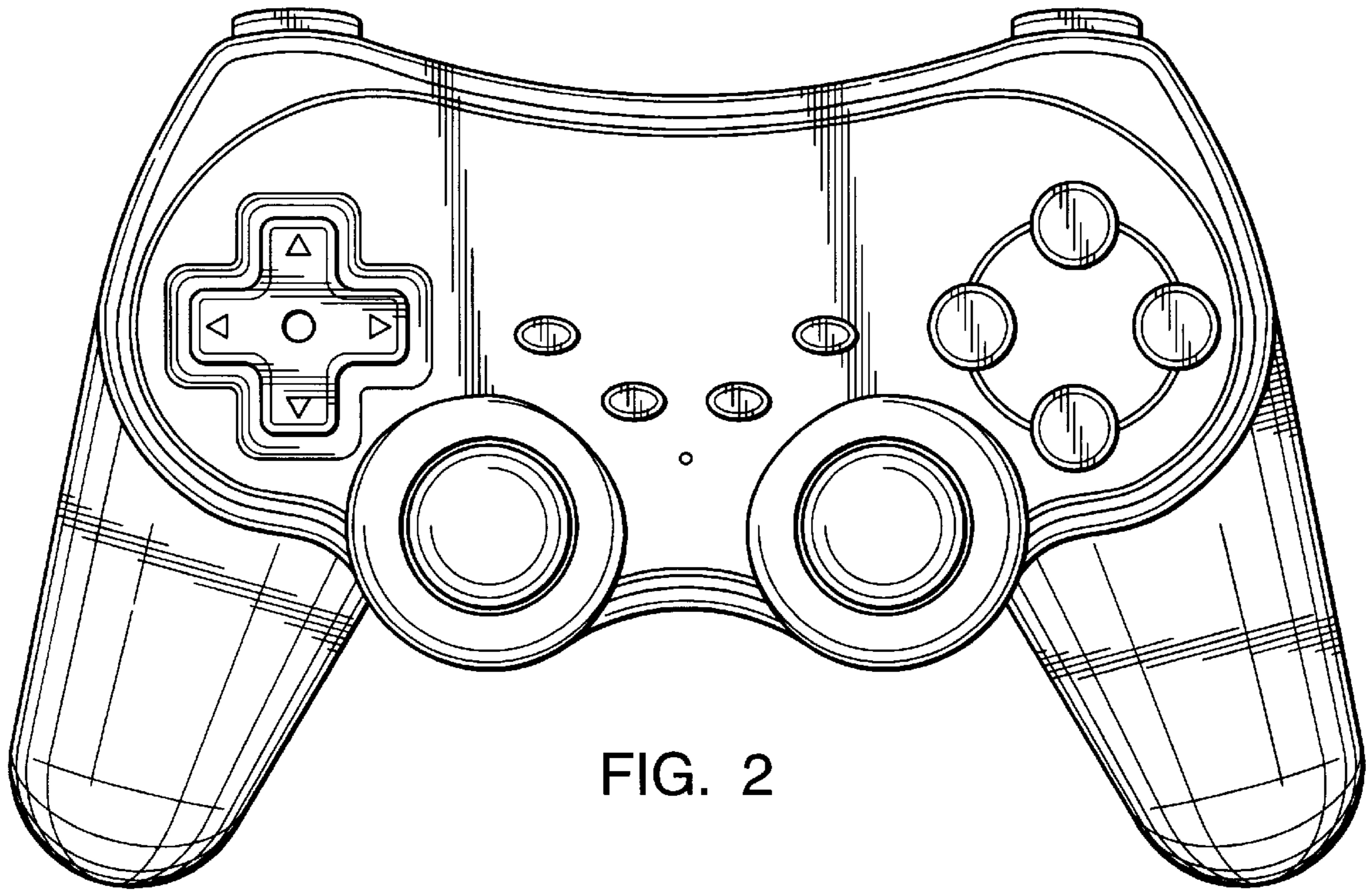


FIG. 2

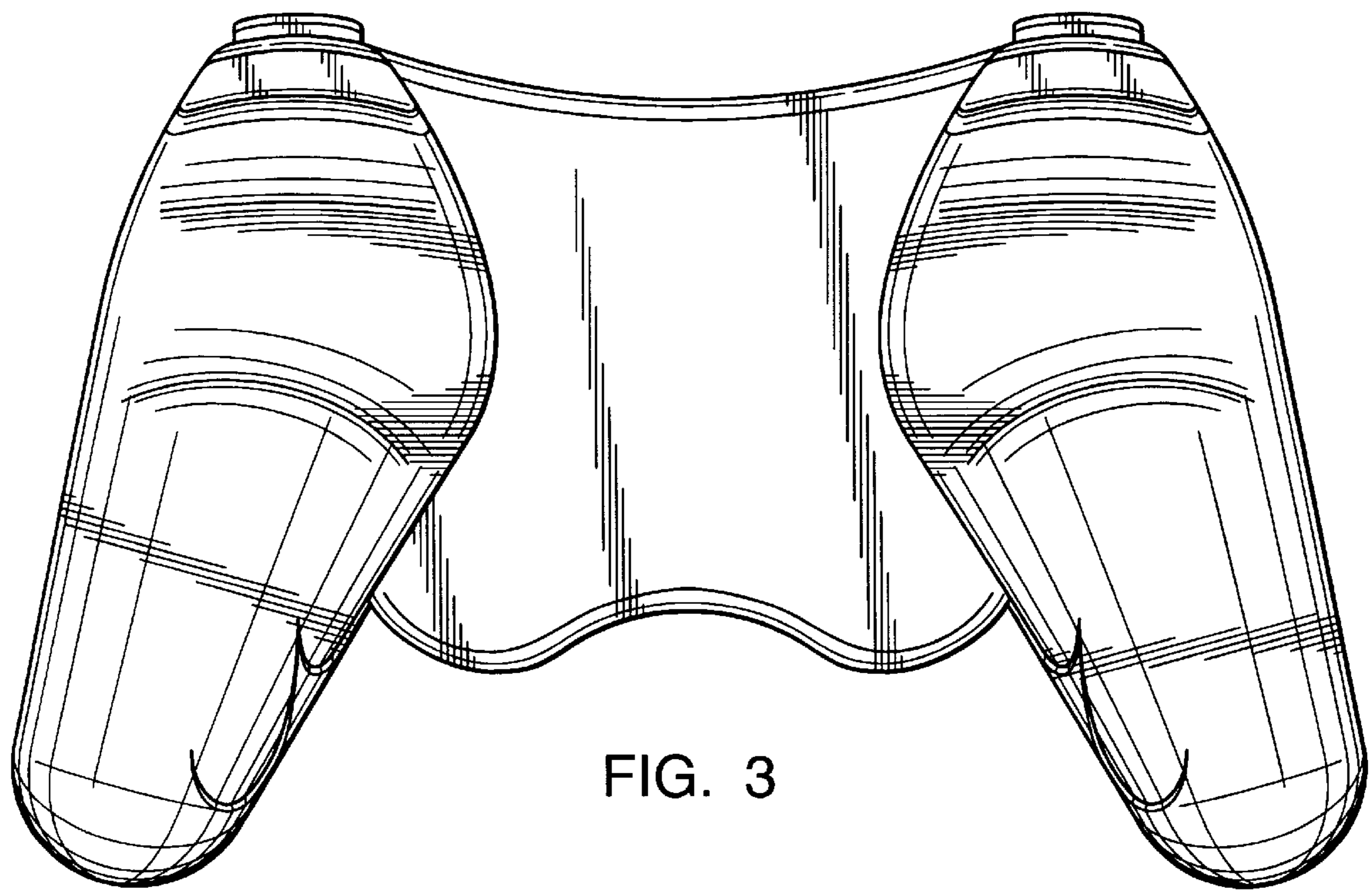


FIG. 3

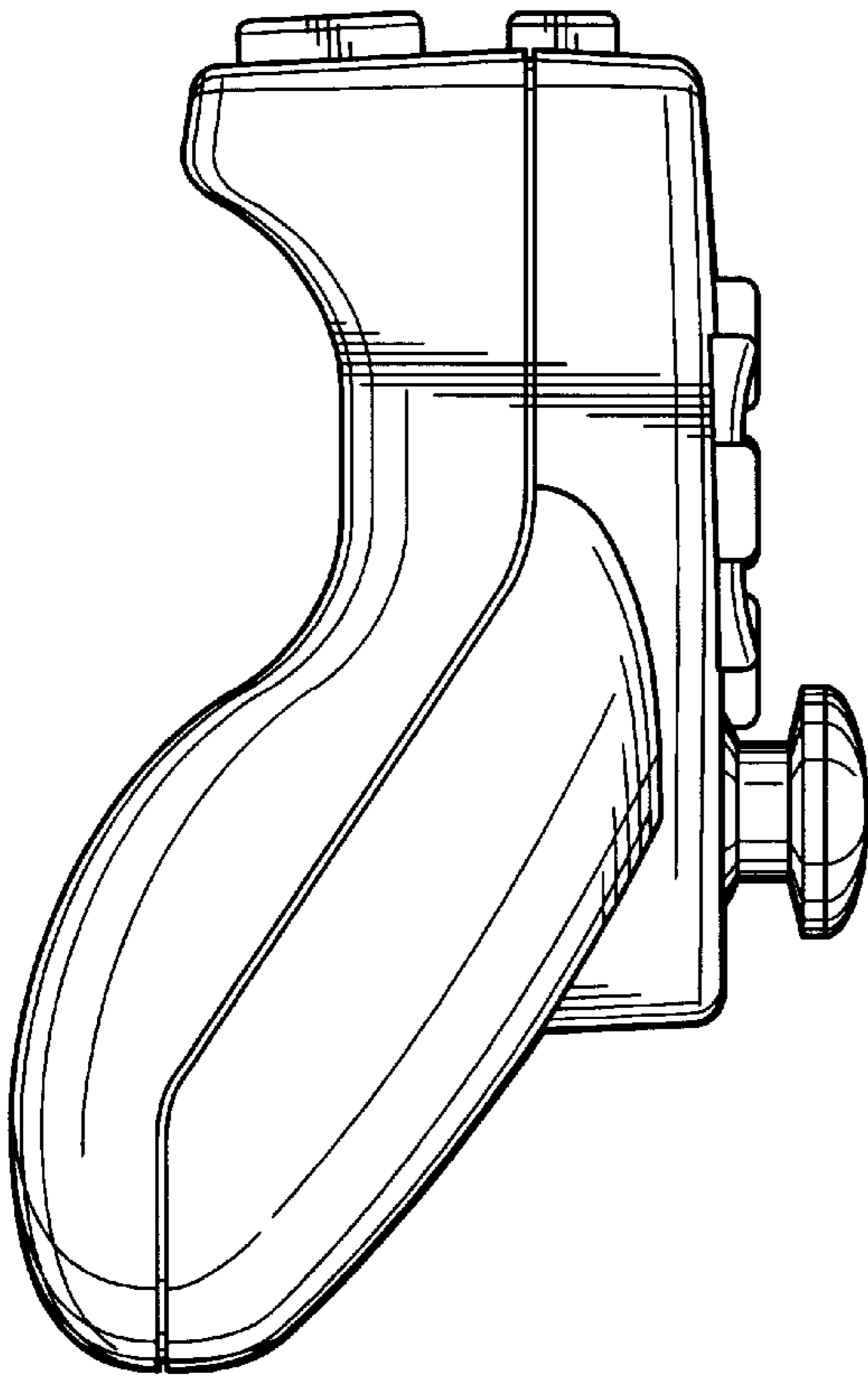


FIG. 4

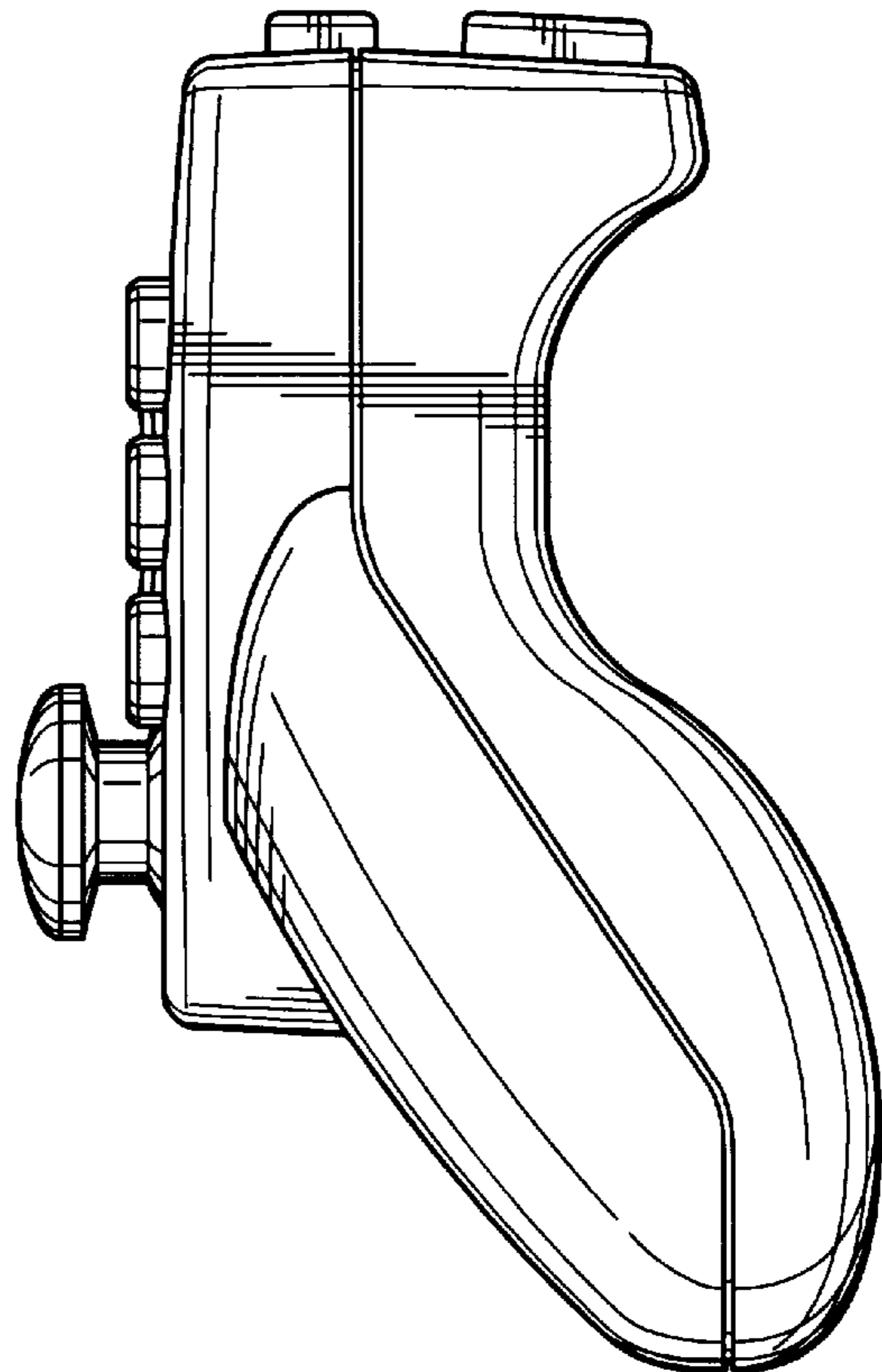


FIG. 5

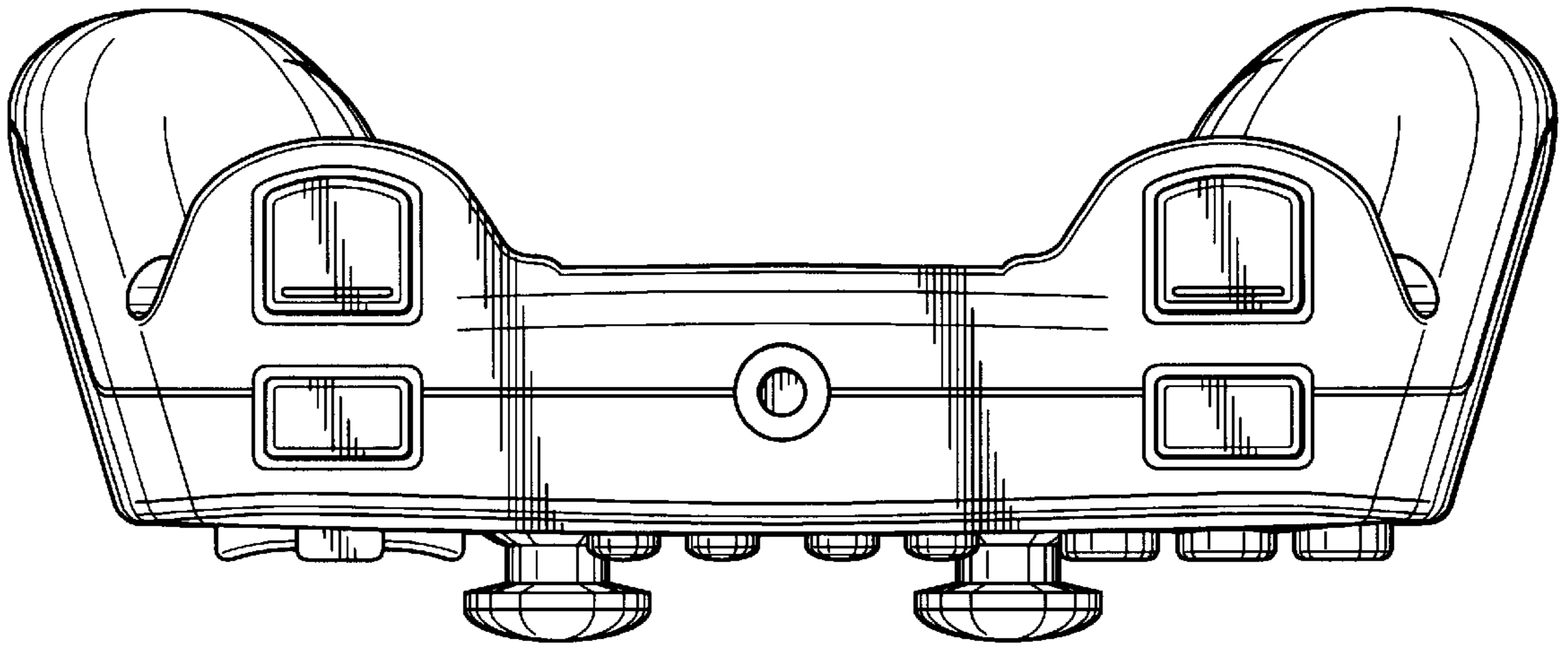


FIG. 6

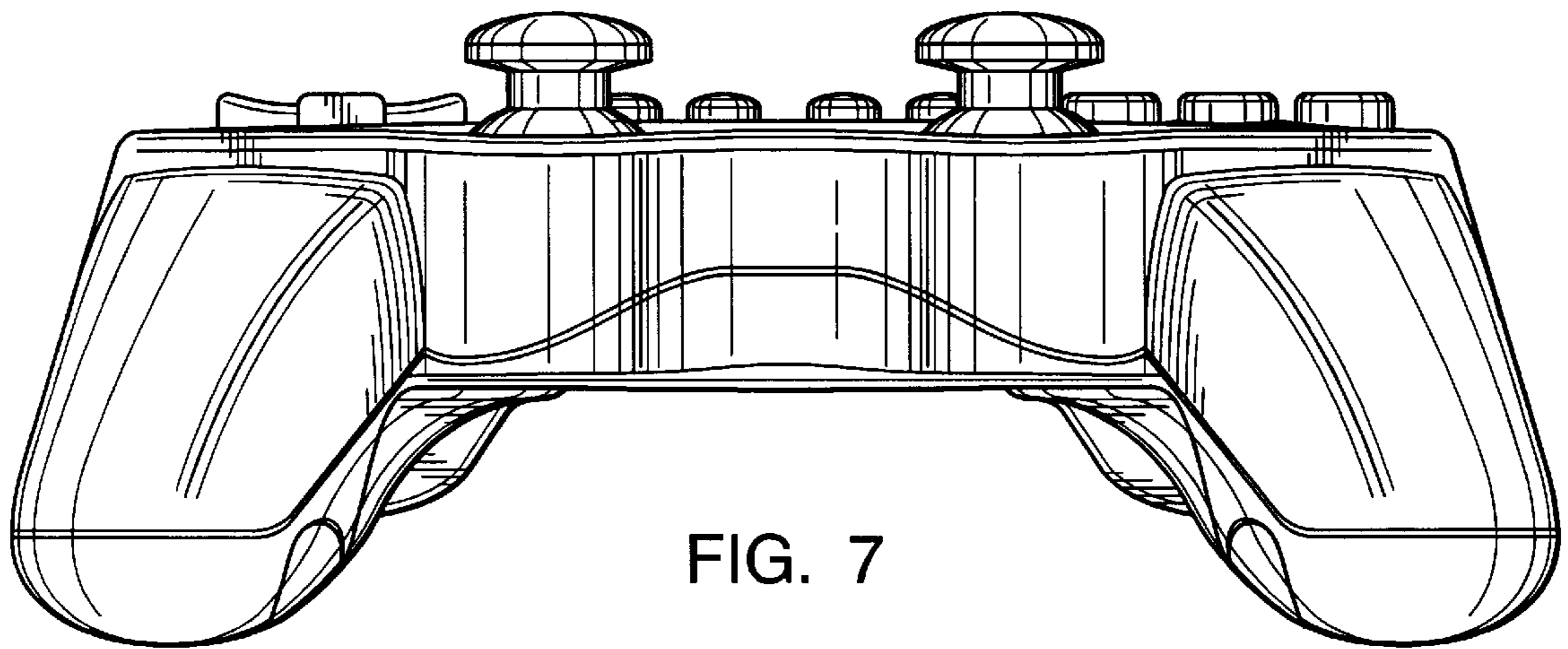


FIG. 7