



US00D424042S

United States Patent [19]

Massieu et al.

[11] **Patent Number: Des. 424,042**

[45] **Date of Patent: ** May 2, 2000**

[54] **STATIONARY BAR CODE SCANNER**

[76] Inventors: **Jean-Louis Massieu**, 472 avenue de Beausoleil, 82000 Montauban, France;
Serge Thuries, 22, rue Nelson Mandela, 31240 Saint Jean, France

[**] Term: **14 Years**

[21] Appl. No.: **29/076,325**

[22] Filed: **Sep. 18, 1997**

[30] **Foreign Application Priority Data**

Mar. 18, 1997 [FR] France 97 1673

[51] **LOC (7) Cl.** **14-02**

[52] **U.S. Cl.** **D14/116; D14/107**

[58] **Field of Search** D14/107, 116,
D14/114; D19/41-51; 235/375, 378, 385,
454, 462.15, 472.02, 486; 382/312-15,
318-19, 321; 250/203.1, 216; D26/37, 45,
50

[56] **References Cited**

U.S. PATENT DOCUMENTS

D. 348,260 6/1994 Allgeier D14/116

D. 359,483 6/1995 Saunders et al. D14/116
D. 368,256 3/1996 Stropkay et al. D14/107
D. 372,234 7/1996 LaManna et al. D14/116
D. 402,278 12/1998 Hayamizu et al. D14/107
D. 404,022 1/1999 Isomoto D14/107

Primary Examiner—M. H. Tung
Attorney, Agent, or Firm—Young & Thompson

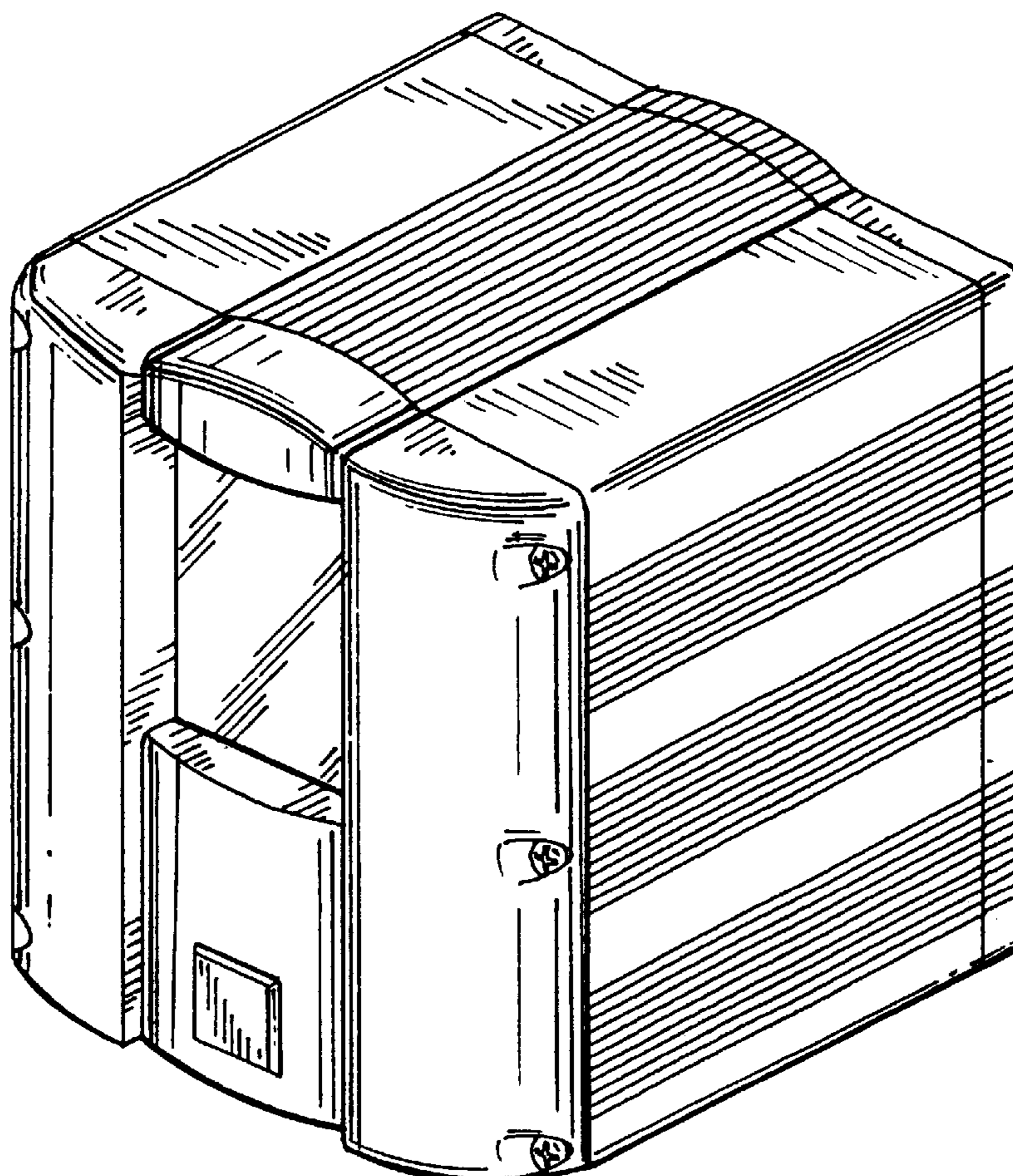
[57] **CLAIM**

The ornamental design for a stationary bar code scanner, as shown and described.

DESCRIPTION

FIG. 1 is a top, front and side perspective view of a stationary bar code scanner showing our new design;
FIG. 2 is a front elevational view thereof;
FIG. 3 is a rear elevational view thereof;
FIG. 4 is a side elevational view thereof from the right of FIG. 2, the side opposite that shown in FIG. 4 being the mirror image thereof;
FIG. 5 is a top plan view thereof; and,
FIG. 6 is a bottom plan view thereof.

1 Claim, 3 Drawing Sheets



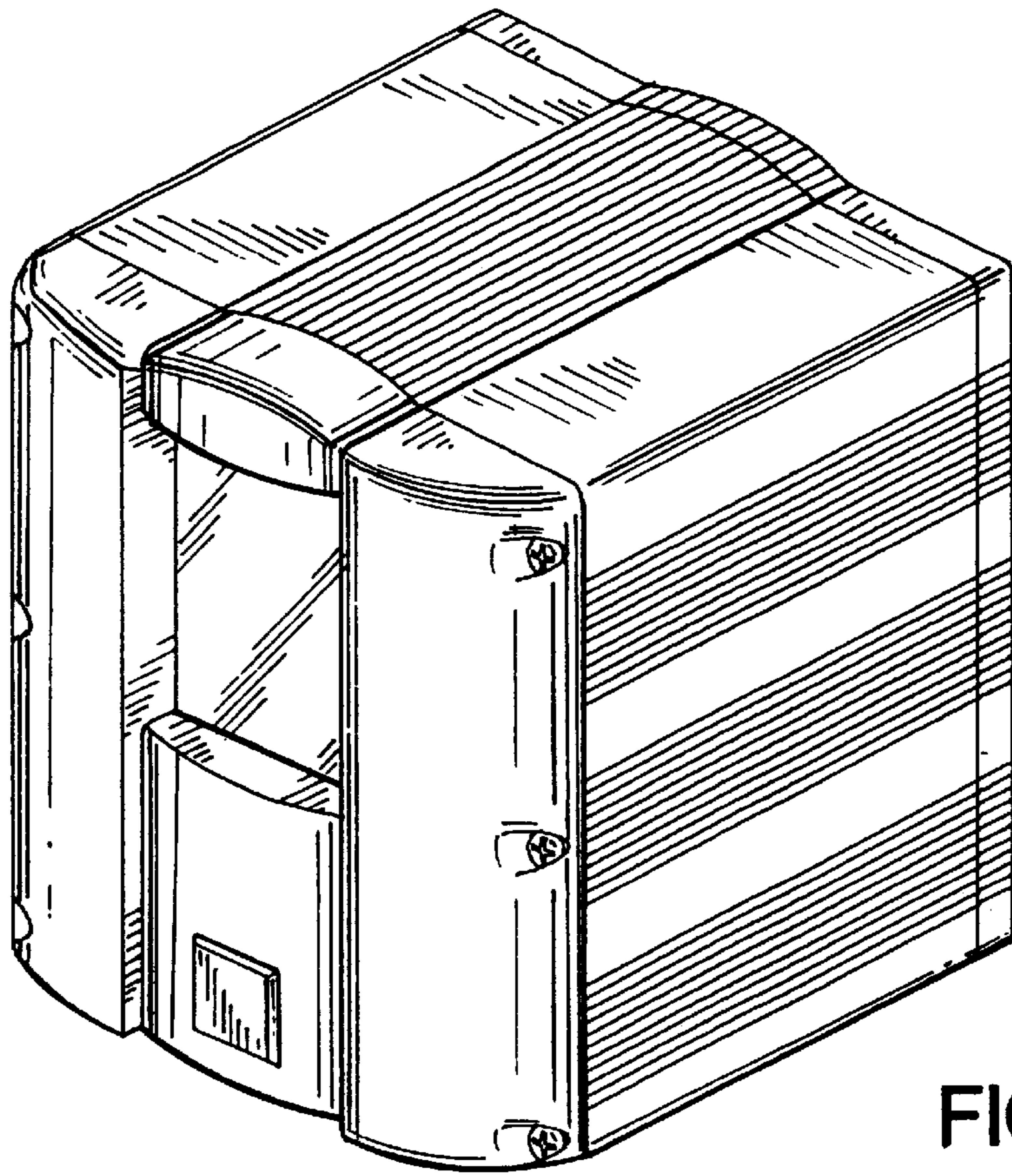


FIG. 1

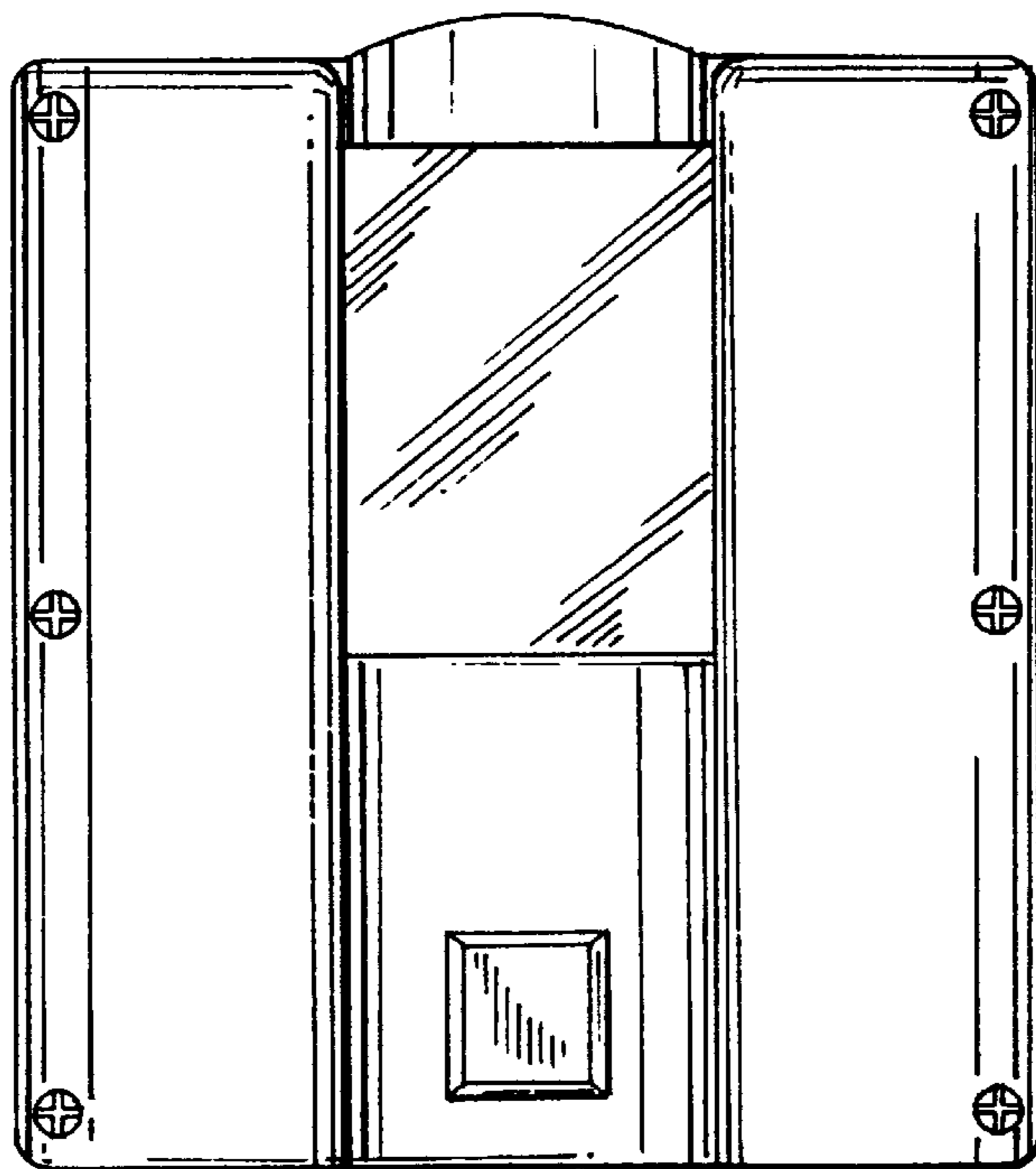


FIG. 2

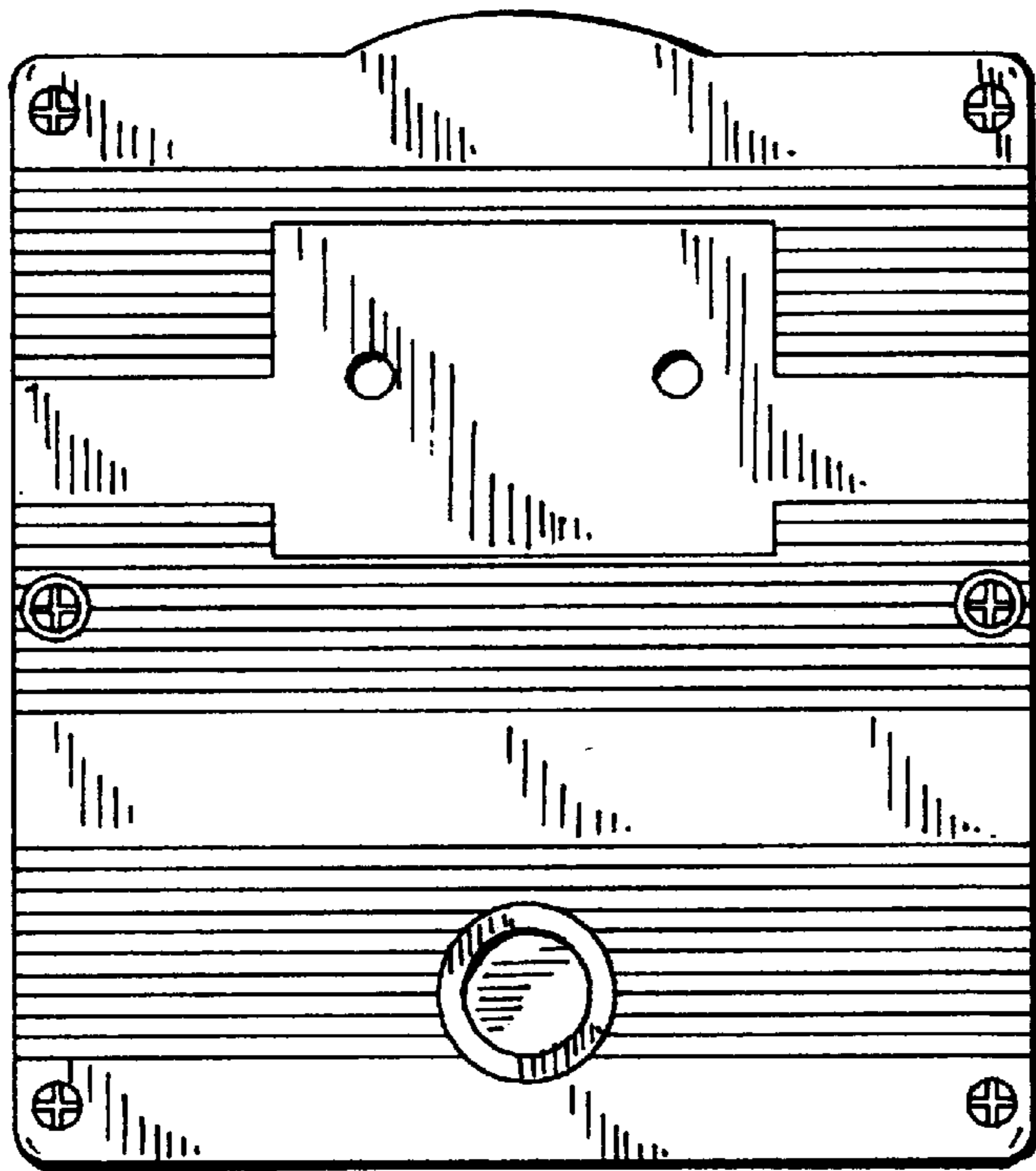


FIG. 3

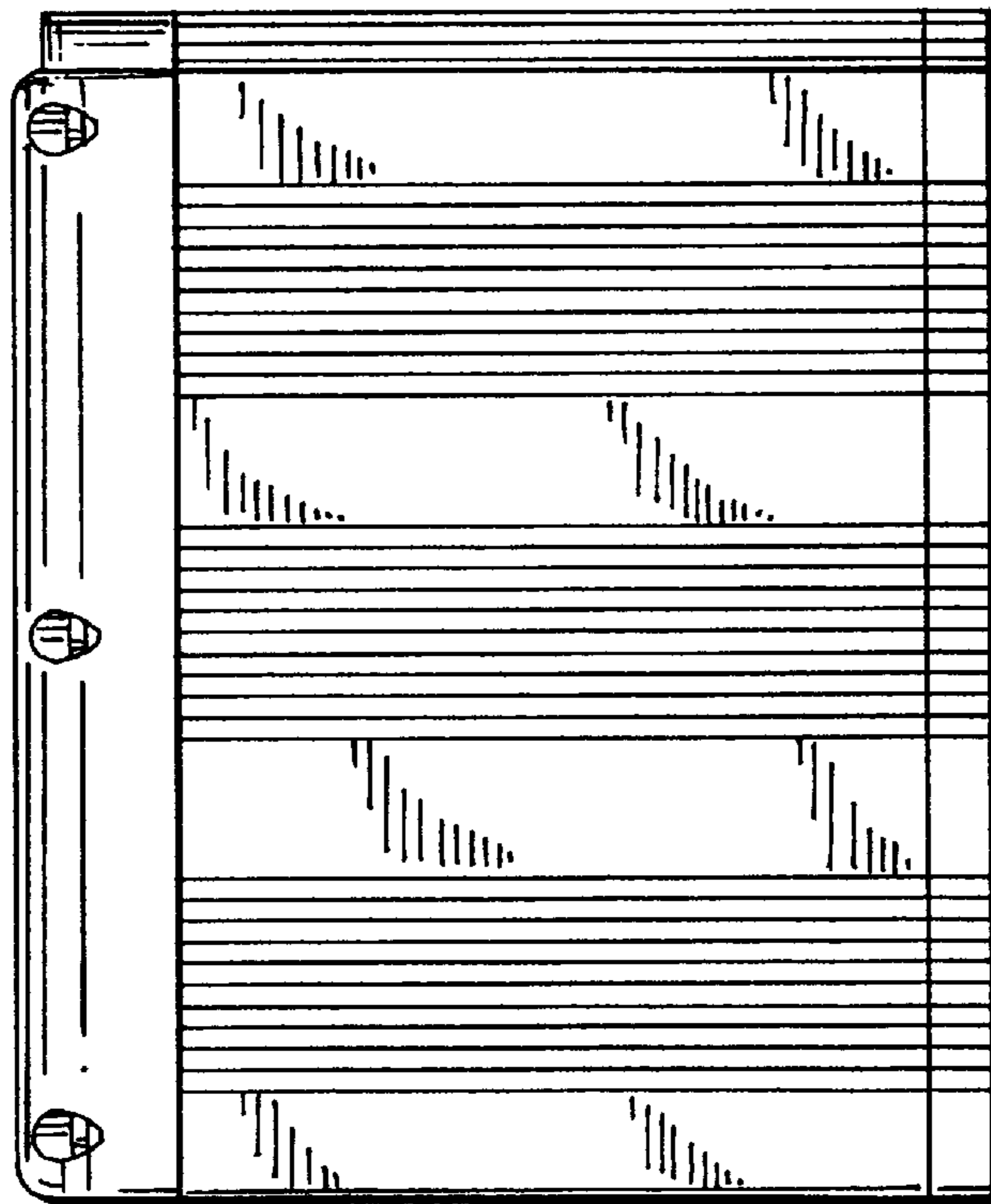


FIG. 4

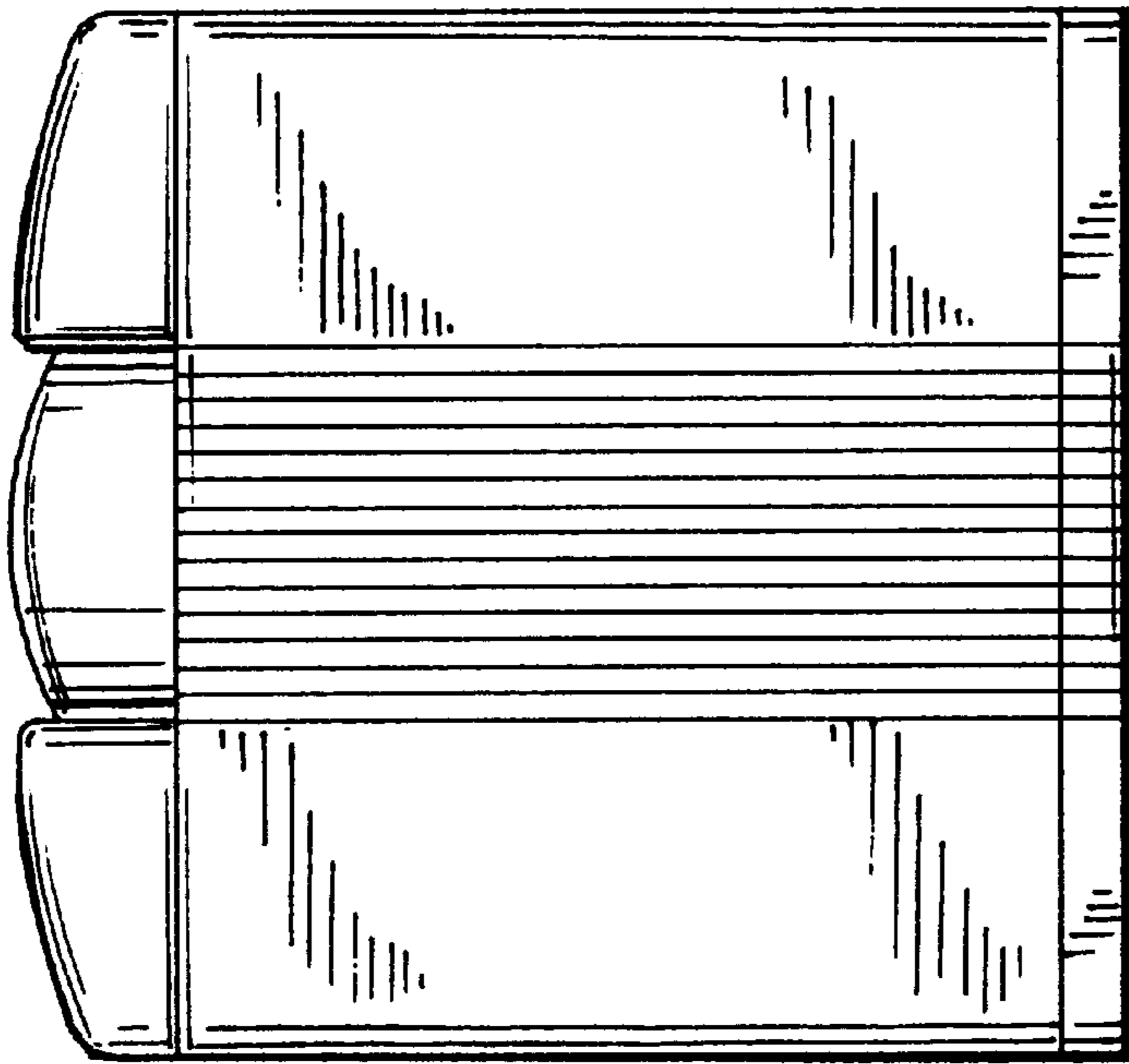


FIG. 5

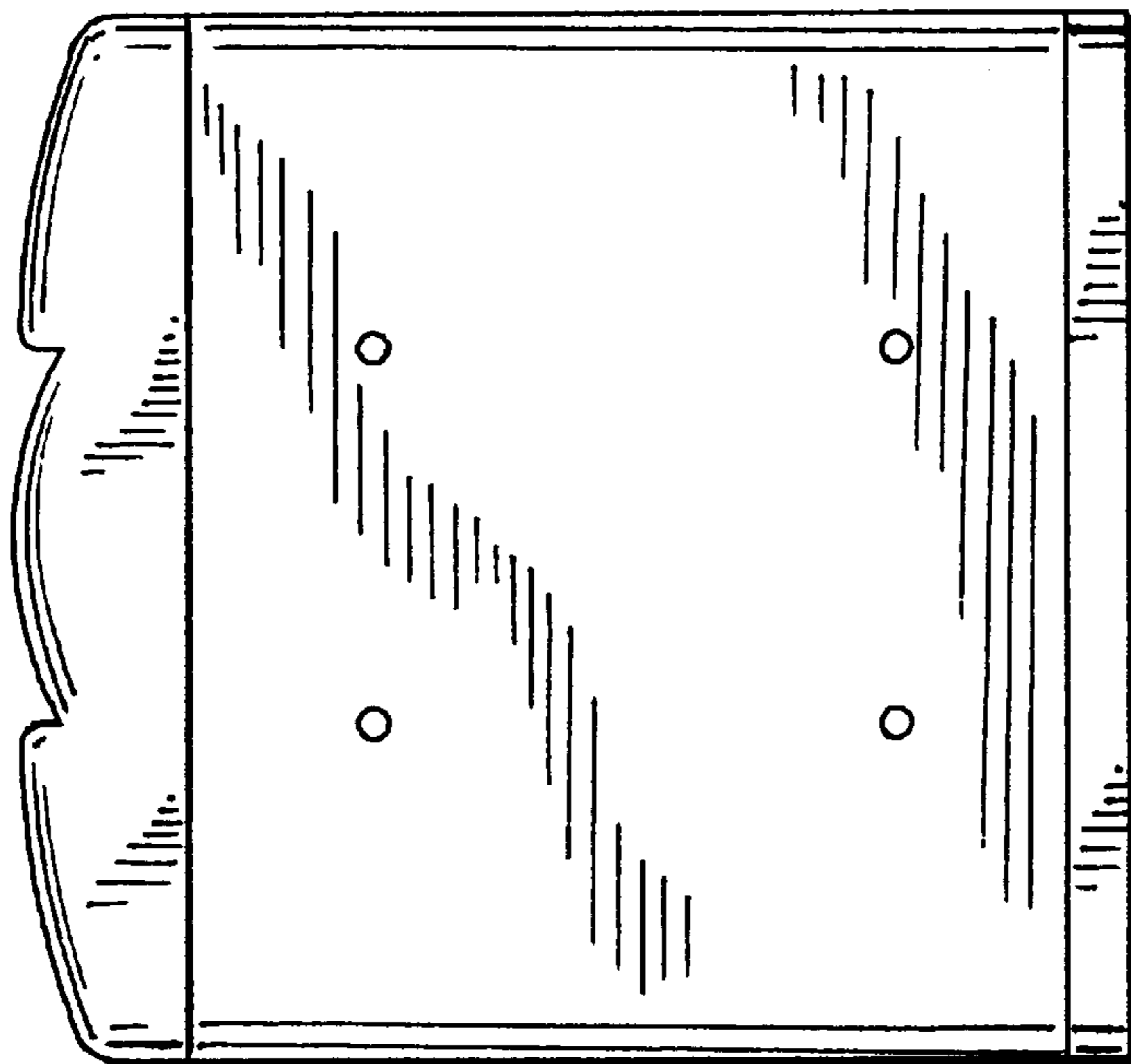


FIG. 6

UNITED STATES PATENT AND TRADEMARK OFFICE
CERTIFICATE OF CORRECTION

PATENT : Des. 424,042

DATED : May 2, 2000

INVENTOR(S): MASSIEU et al.

It is certified that error appears in the above-identified patent and that said Letters Patent is hereby corrected as shown below:

Cover page, add --Item [73]-- and the name of the assignee --**UNITED BARCODE INDUSTRIES SCANNER TECHNOLOGY CENTER**, Chatou, France--.

Signed and Sealed this

First Day of May, 2001



NICHOLAS P. GODICI

Attest:

Attesting Officer

Acting Director of the United States Patent and Trademark Office