



US00D424037S

United States Patent [19]
Coleman

[11] **Patent Number: Des. 424,037**
[45] **Date of Patent: ** May 2, 2000**

[54] **WINDOW FOR A COMPUTER DISPLAY SCREEN**

[75] Inventor: **Patricia J. Coleman**, Montara, Calif.

[73] Assignee: **Apple Computer, Inc.**, Cupertino, Calif.

[**] Term: **14 Years**

[21] Appl. No.: **29/087,415**

[22] Filed: **May 1, 1998**

Related U.S. Application Data

[62] Division of application No. 29/038,431, May 5, 1995, Pat. No. Des. 402,294.

[51] **LOC (7) Cl. 14-02**

[52] **U.S. Cl. D14/114.2; D14/114.2**

[58] **Field of Search D14/114, 114.1-114.9; D18/24-33; D19/6; D21/324-33; D20/11; 345/326, 339-40, 347-57**

[56] **References Cited**

U.S. PATENT DOCUMENTS

- D. 296,114 6/1988 Wells-Papanek et al. D18/27
- D. 296,339 6/1988 Wells-Papanek et al. D18/27

(List continued on next page.)

FOREIGN PATENT DOCUMENTS

0659114 10/1994 European Pat. Off. .

OTHER PUBLICATIONS

“Apple Human Interface Guidelines: The Apple Desktop Interface,” Addison-Wesley Publishing, Co., 1992, pp. 20-27, 40-48, 65-73, and 87-88.

“IBM OS/2 2.0 Presentation Manager Graphics Prgramming Guide”, 1992, pp. 5-1 to 5-5, 7-1 to 7-9.

MacDraw II User’s Manual, Claris, screen, p. 4, 1988.

Microsoft Windows User’s Guide, Version 2.0, Microsoft Corp., clipboard window, p. 132, 1987.

Microsoft Windows 3.1 User’s Guide, Microsoft, screen, p. 48, print manager window, p. 215, screen, p. 221, screen, p. 20, 1992.

Hypercard User’s Guide, Apple Software, short and full menus, p. 66, 1988.

Masteiring WordPerfect 5.1 for Windows, Cybex, p. 83, window, p. 1066, 1992.

World Atlas User’s Guide, Software Tookworks, index map, p. 11, 1991.

Primary Examiner—M. H. Tung

Attorney, Agent, or Firm—Helene Plotka Workman

[57] **CLAIM**

The ornamental design for a window for a computer display screen, as shown and described.

DESCRIPTION

The file of this patent contains at least one drawing executed in color. Copies of this patent with color drawing(s) will be provided by the Patent and Trademark Office upon request and payment of the necessary fee.

FIG. 1 is a front view of a window for a computer display screen;

FIG. 2 is a front view of a second embodiment thereof;

FIG. 3 is a front view of a third embodiment thereof;

FIG. 4 is a front view of a fourth embodiment thereof;

FIG. 5 is a front view of a fifth embodiment thereof;

FIG. 6 is a front view of a sixth embodiment thereof;

FIG. 7 is a front view of a seventh embodiment thereof;

FIG. 8 is a front view of a eighth embodiment thereof;

FIG. 9 is a front view of a ninth embodiment thereof;

FIG. 10 is a front view of a tenth embodiment thereof;

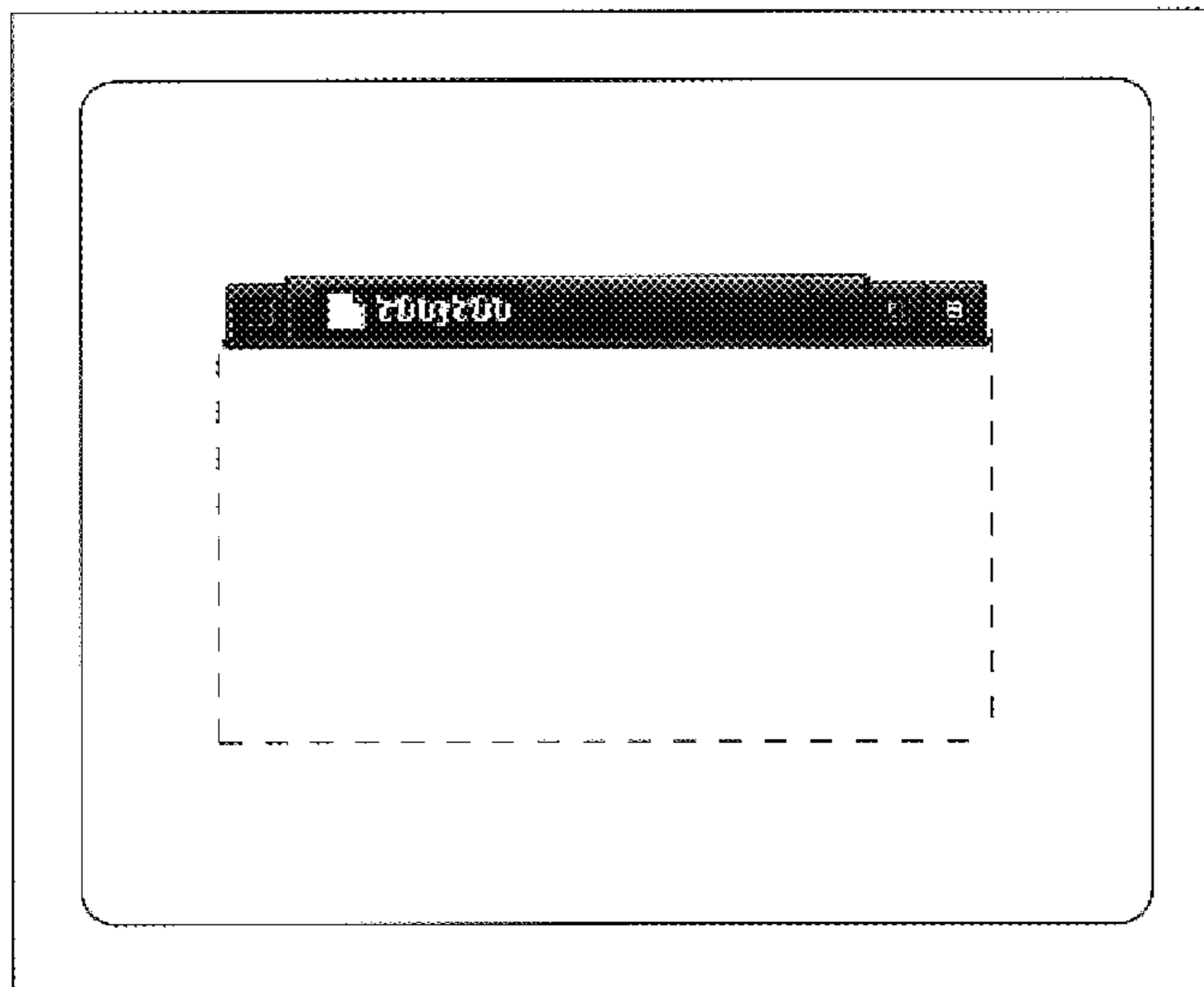
FIG. 11 is a front view of an eleventh embodiment thereof;

and,

FIG. 12 is a front view of a twelfth embodiment thereof.

The broken line drawing of the outline of a window in all figure views is for illustrative purposes only and forms no part of the claimed design.

1 Claim, 12 Drawing Sheets



U.S. PATENT DOCUMENTS						
			5,307,086	4/1994	Griffin et al.	345/146
			5,327,529	7/1994	Fults et al.	395/155
			5,371,844	12/1994	Andrew et al.	395/155
D. 297,243	8/1988	Wells-Papanek et al.	5,388,202	2/1995	Squires et al.	345/334
		D18/27	5,452,406	12/1995	Butler et al.	395/126
D. 391,947	3/1998	Faris et al.	5,559,942	9/1996	Gough et al.	395/155
		D14/114.2	5,566,295	10/1996	Cypher et al.	395/161
D. 392,963	3/1998	Coleman	5,596,691	1/1997	Good et al.	395/140
		D14/114.2	5,602,996	2/1997	Powers, III et al.	395/701
D. 406,122	2/1999	Hodgson	5,603,034	2/1997	Swanson	395/701
		D14/114.2	5,621,878	4/1997	Owens et al.	395/326
D. 406,123	2/1999	Hodgson	5,652,714	7/1997	Peterson et al.	364/550
		D14/114.2	5,652,876	7/1997	Ashe et al.	395/500
5,065,347	11/1991	Pajak et al.				
		345/348				
5,140,677	8/1992	Fleming et al.				
		345/348				
5,179,700	1/1993	Aihara et al.				
		395/650				
5,202,828	4/1993	Vertelney et al.				
		364/419				
5,214,756	5/1993	Franklin et al.				
		345/348				
5,241,624	8/1993	Torres				
		345/429				

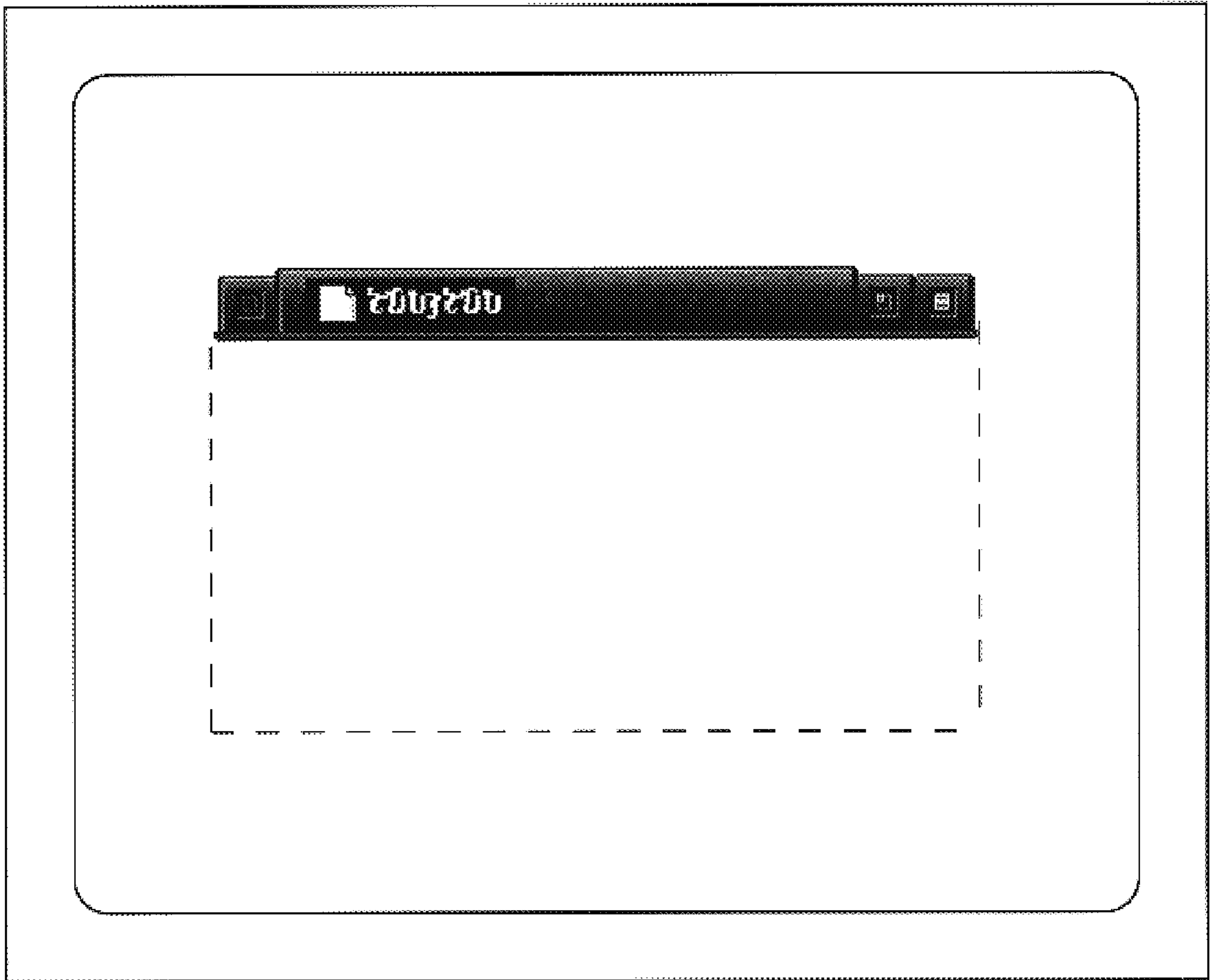


FIG. 1

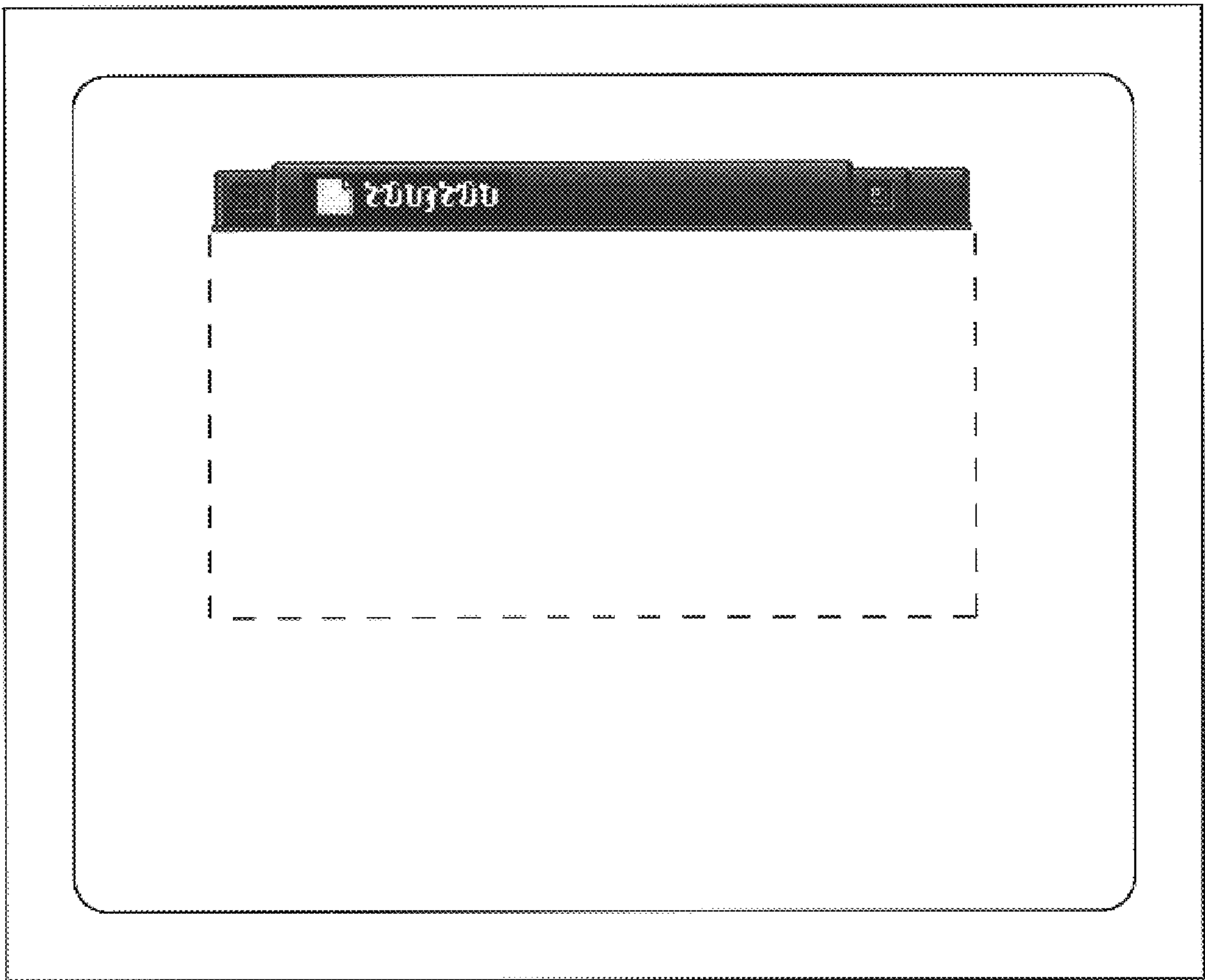


FIG. 2

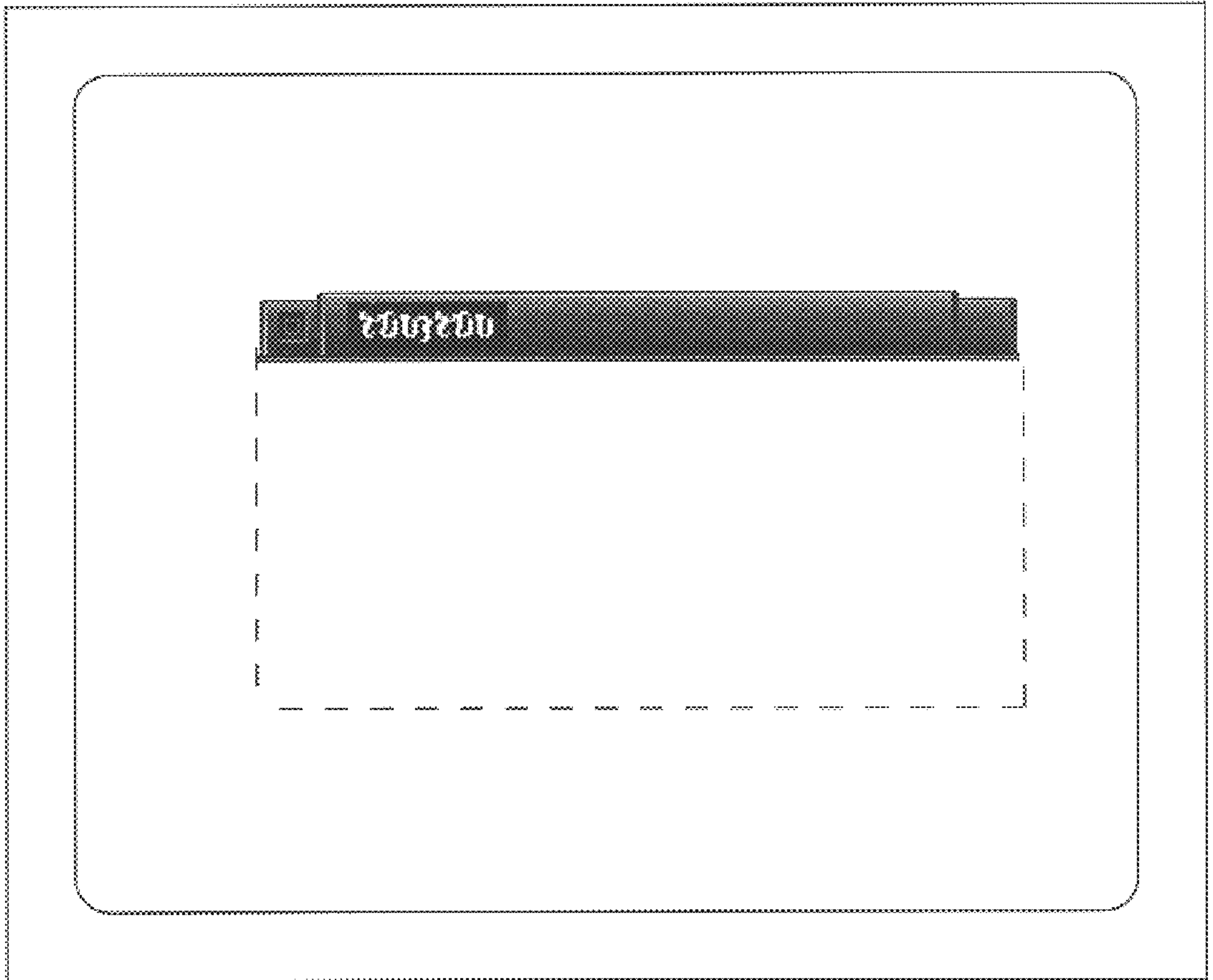


FIG. 3

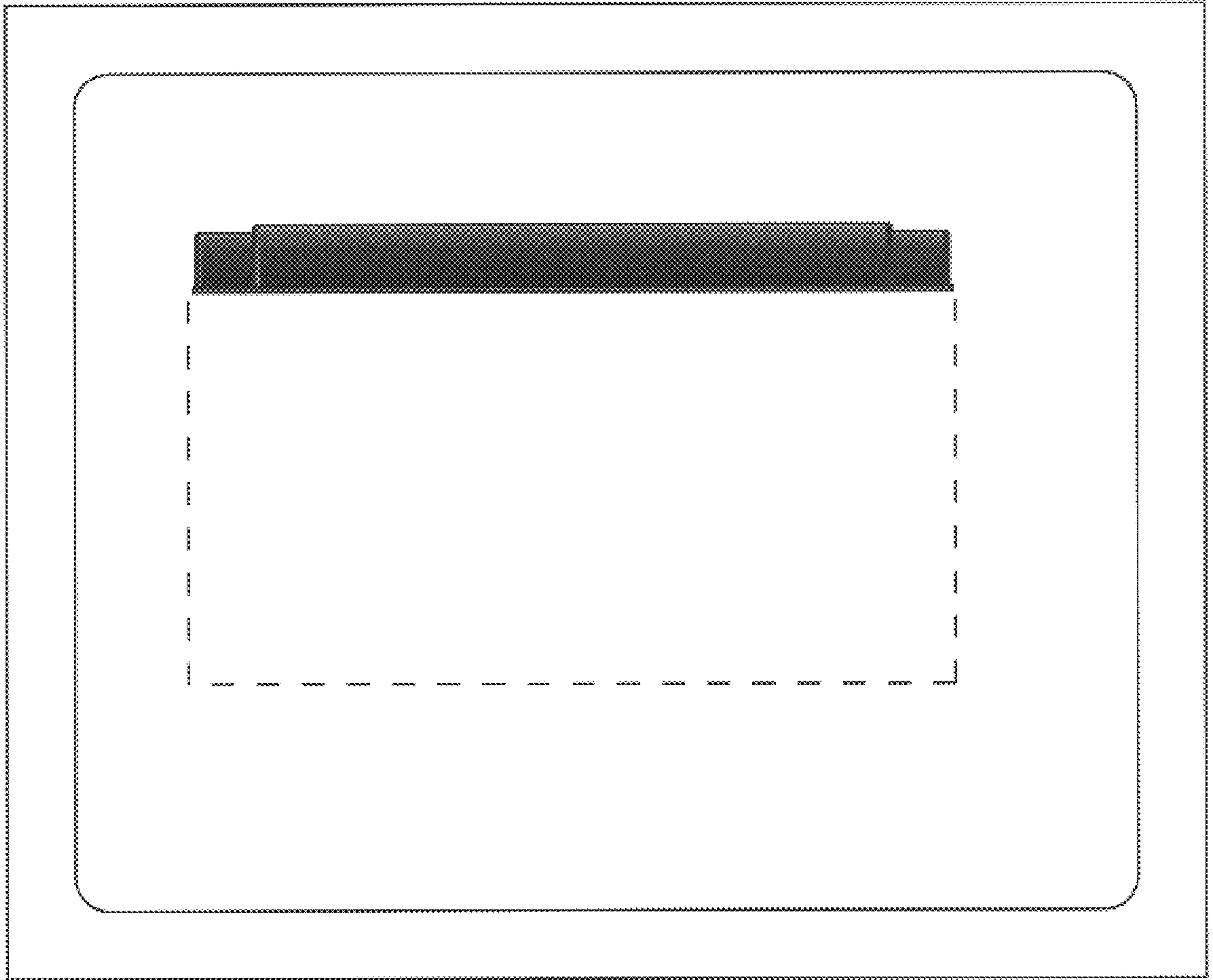


FIG. 4

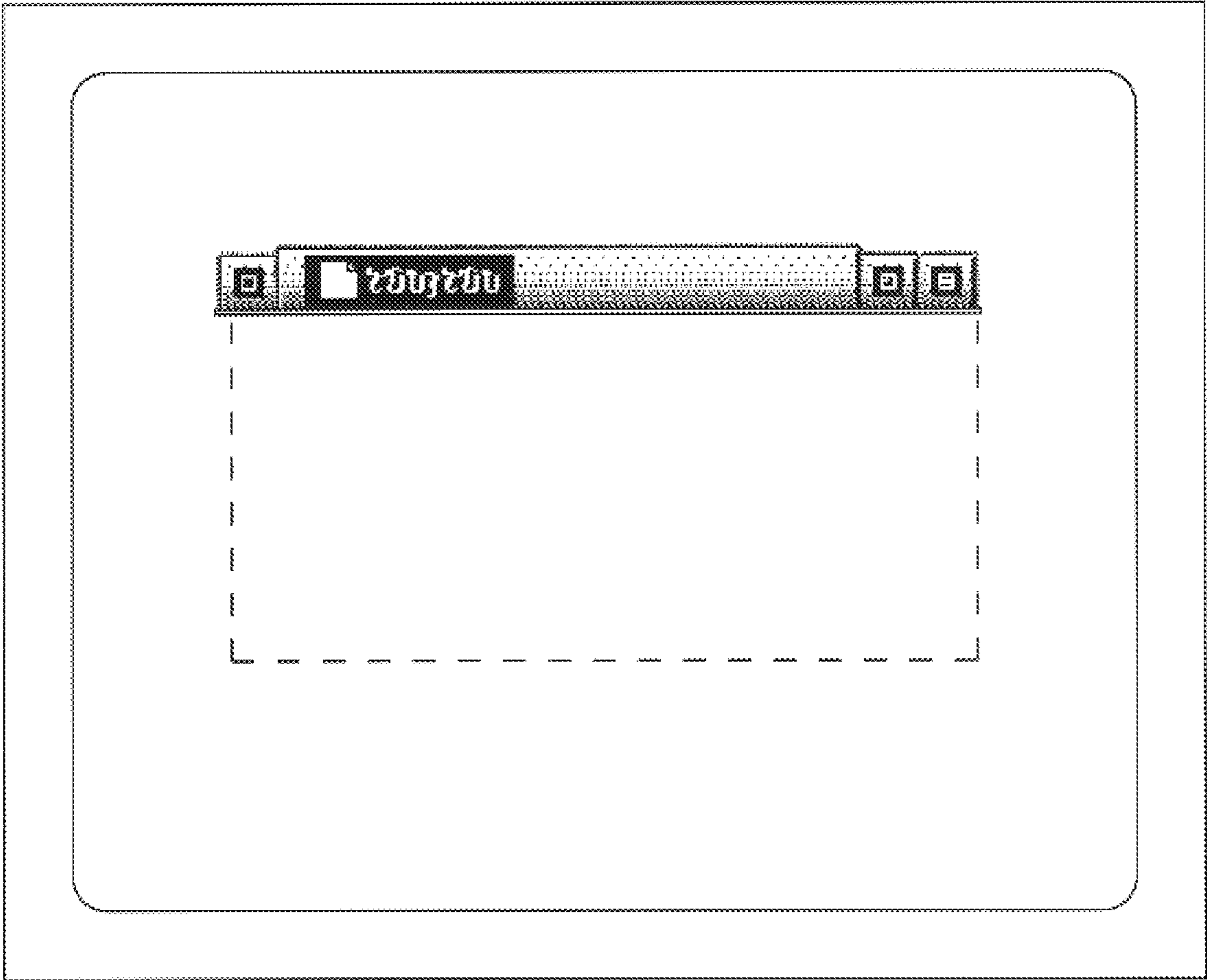


FIG. 5

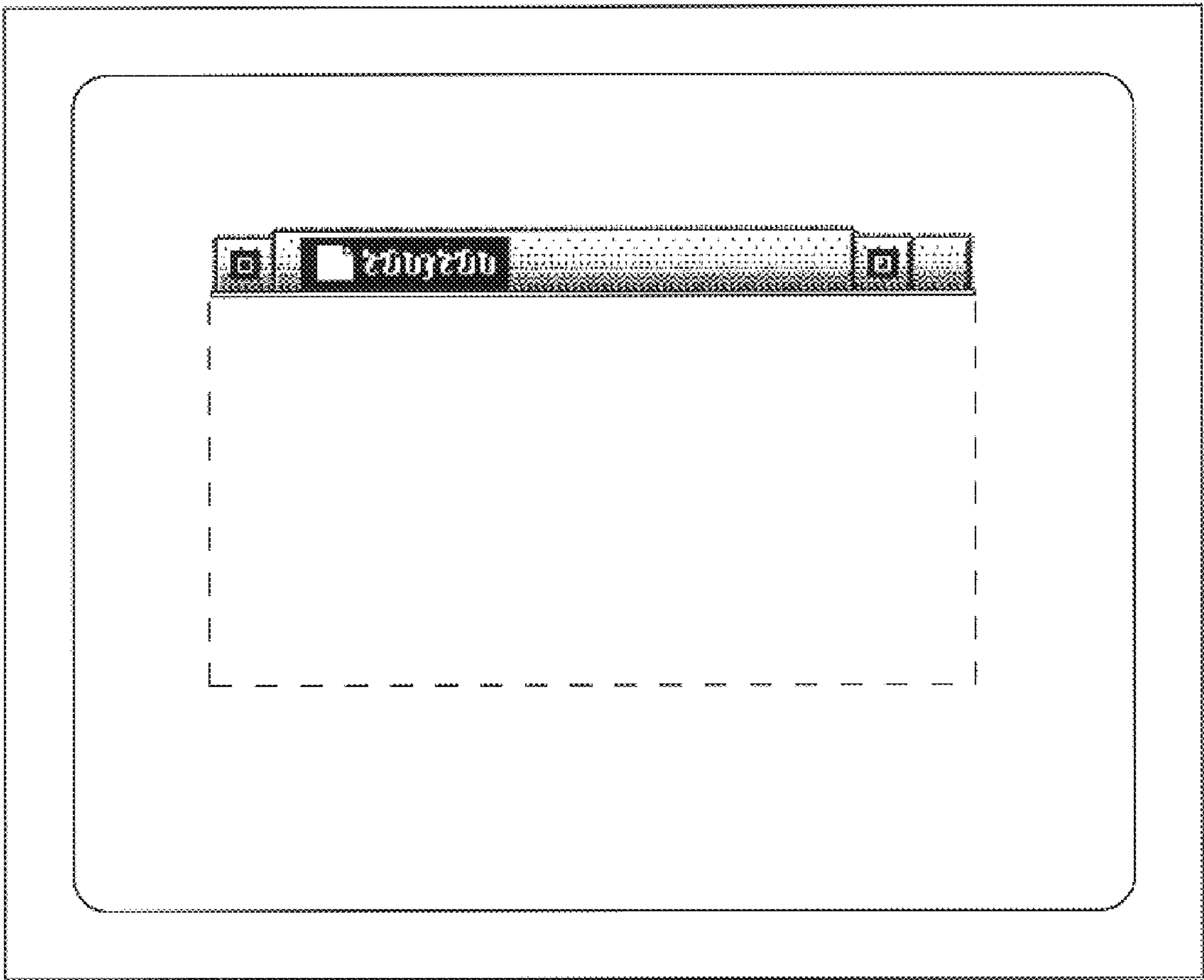


FIG. 6

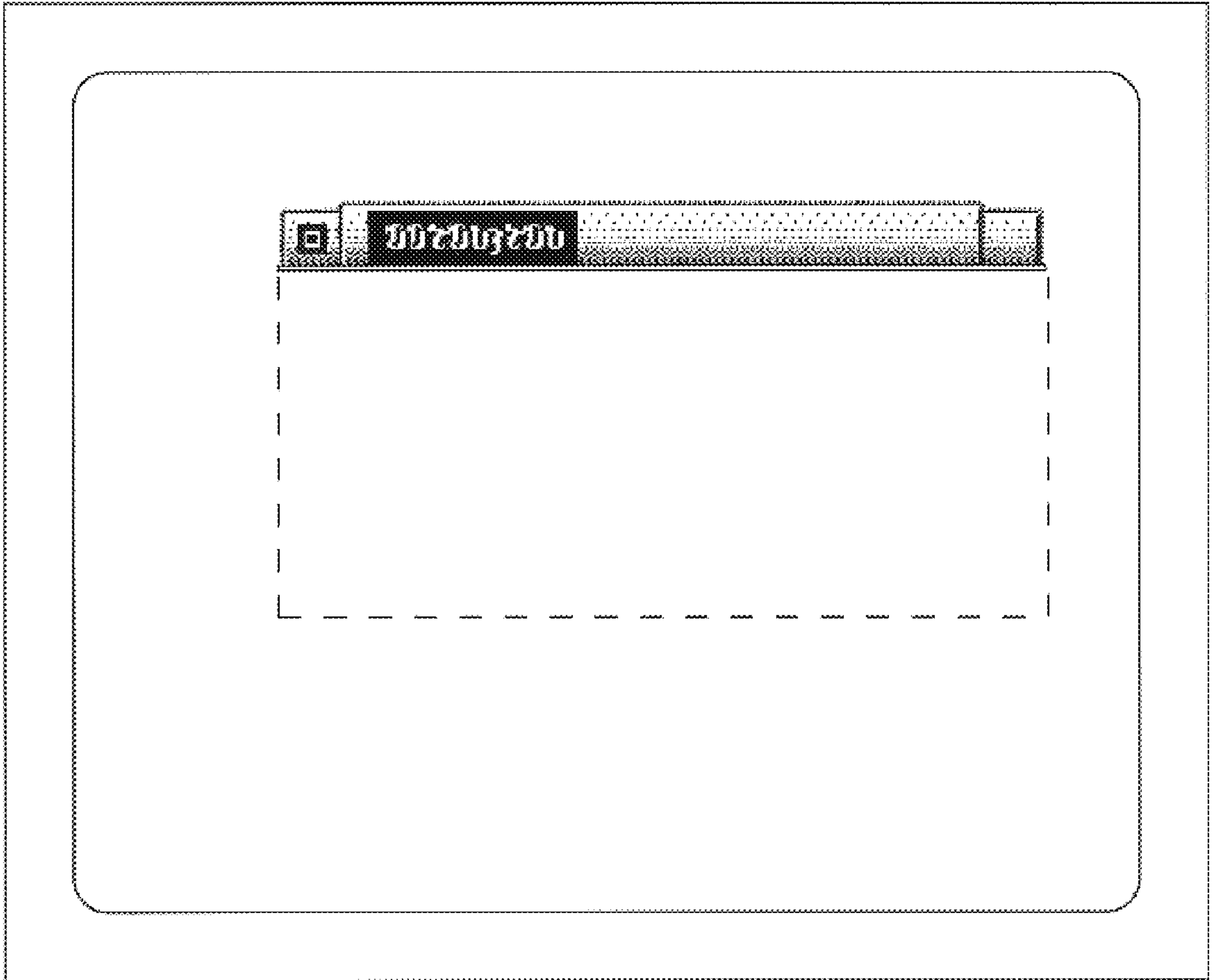


FIG. 7

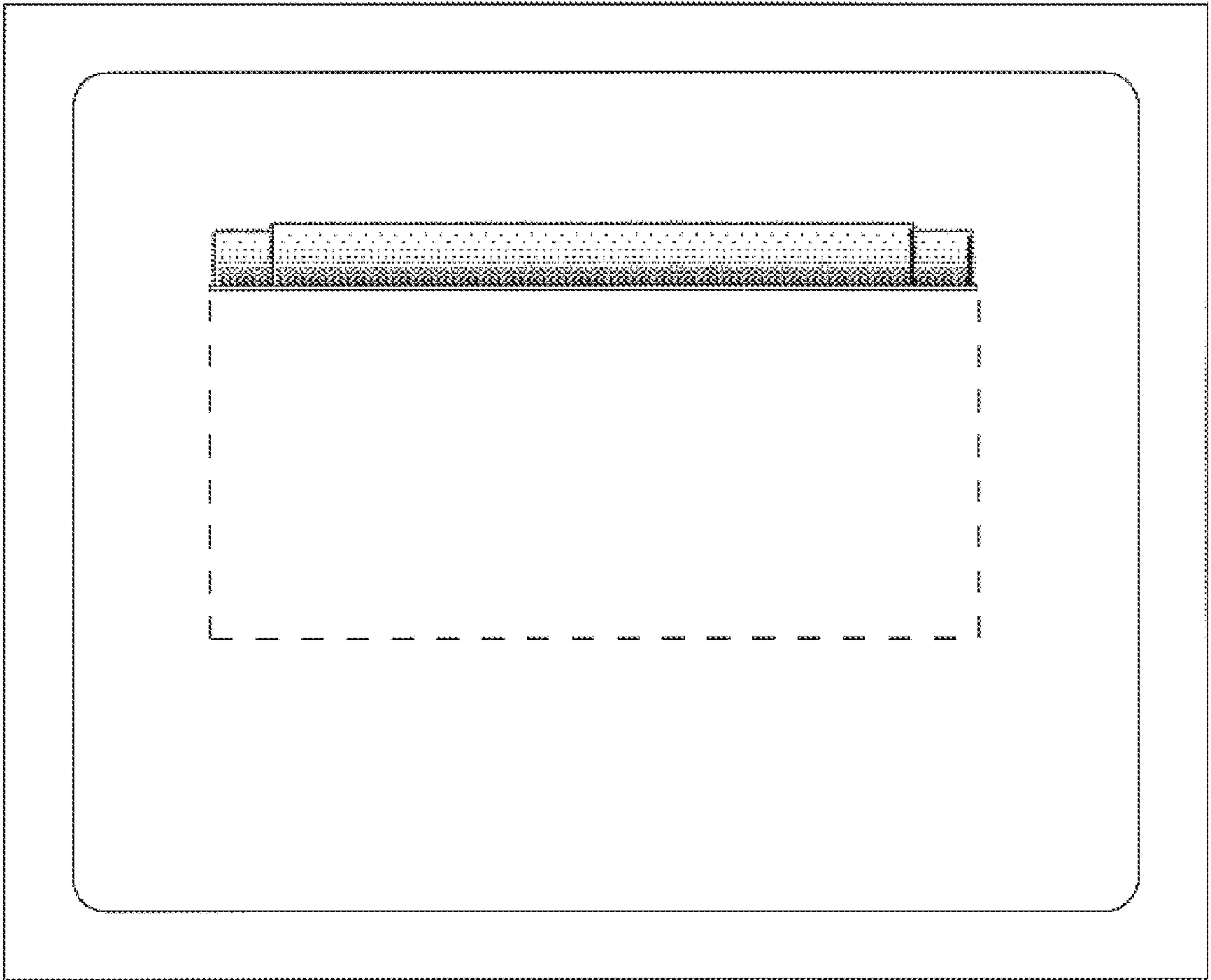


FIG. 8

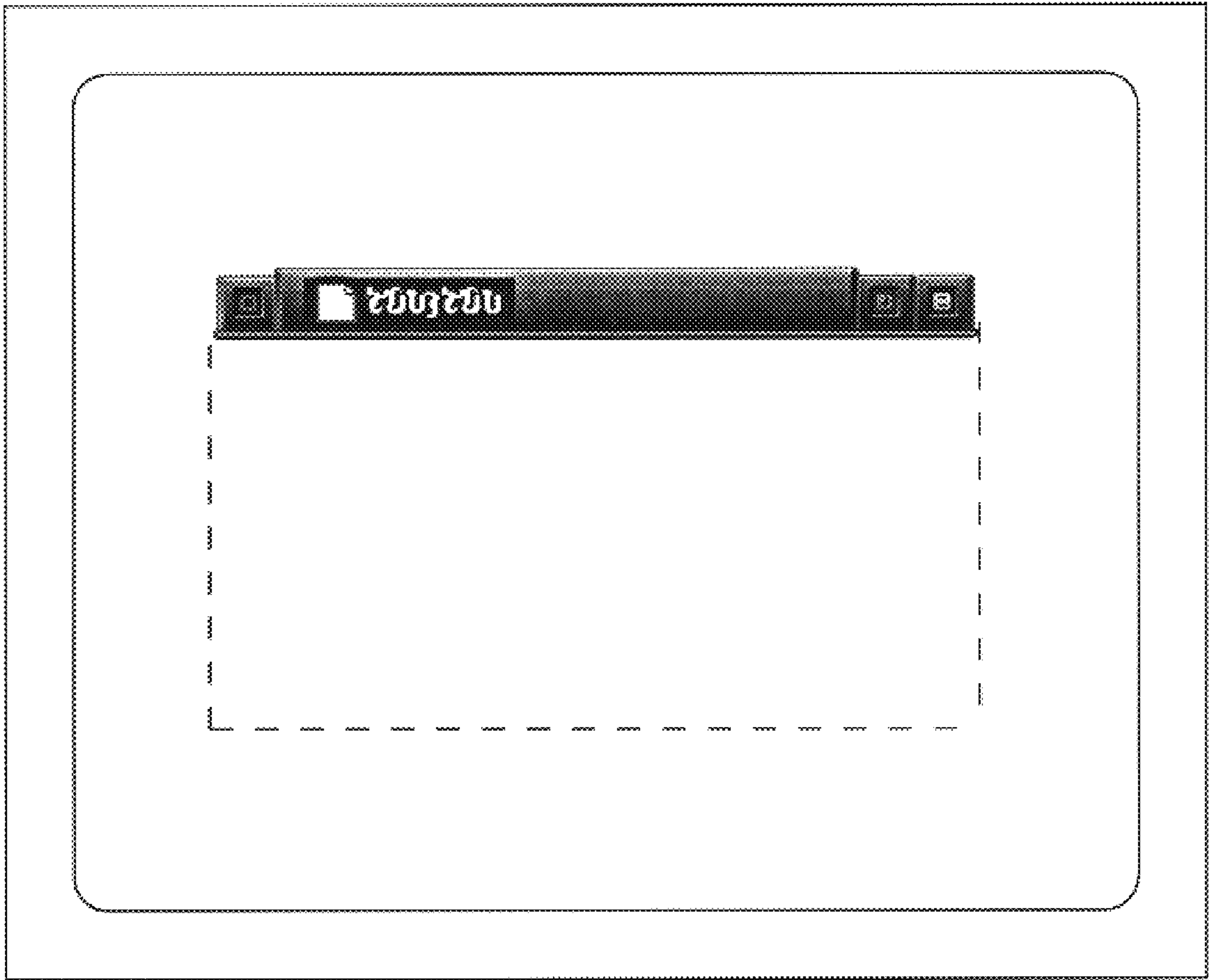


FIG. 9

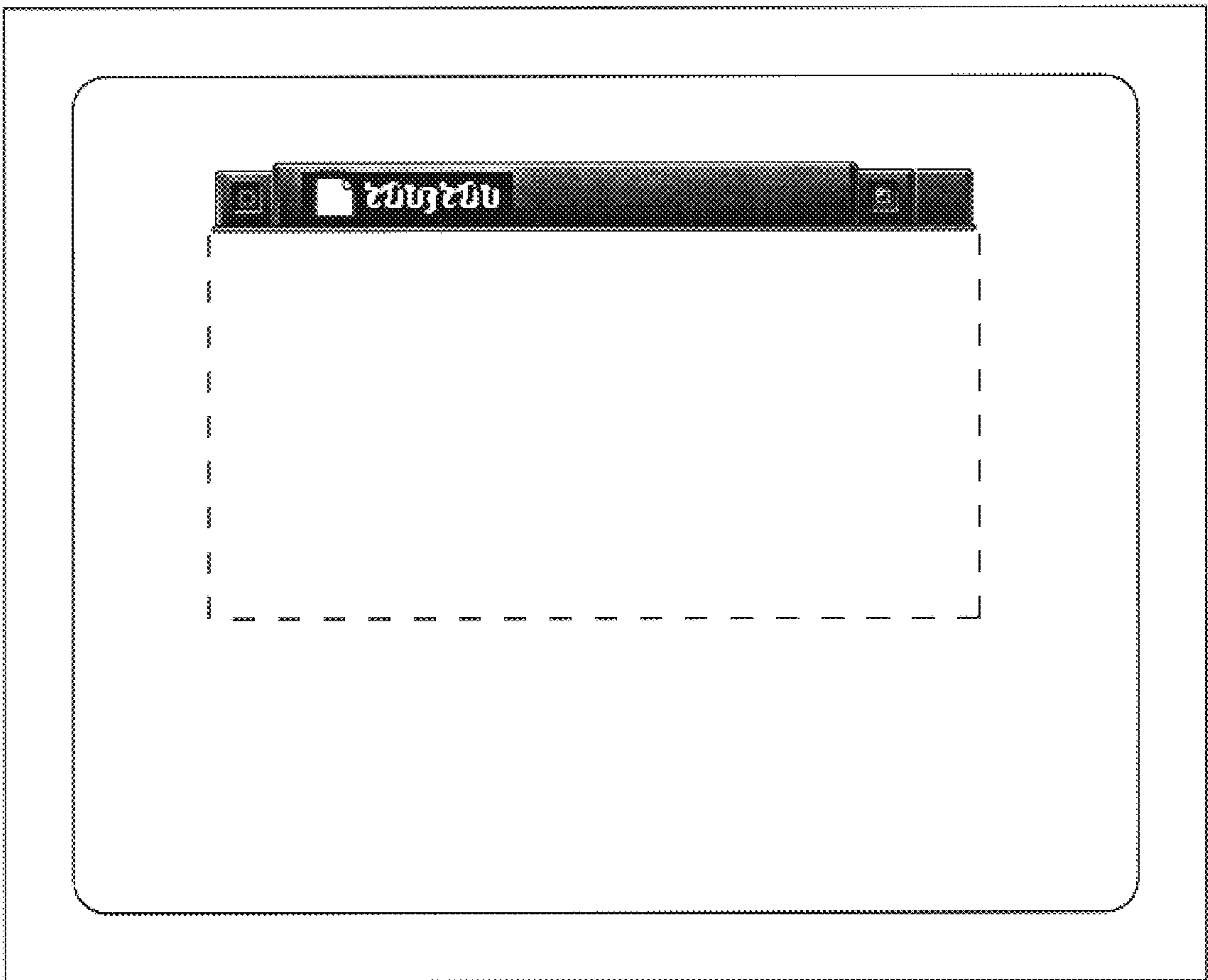


FIG. 10

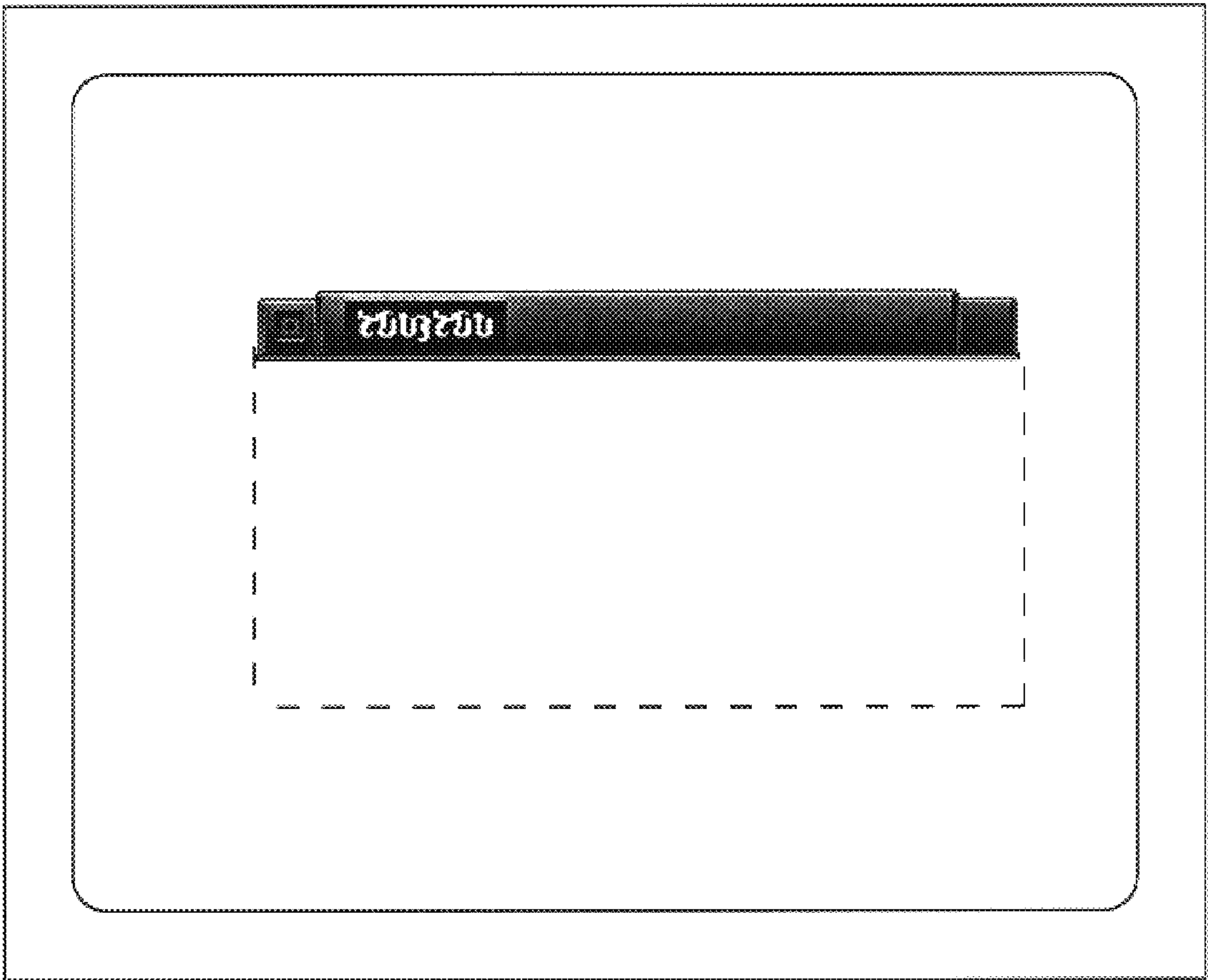


FIG. 11

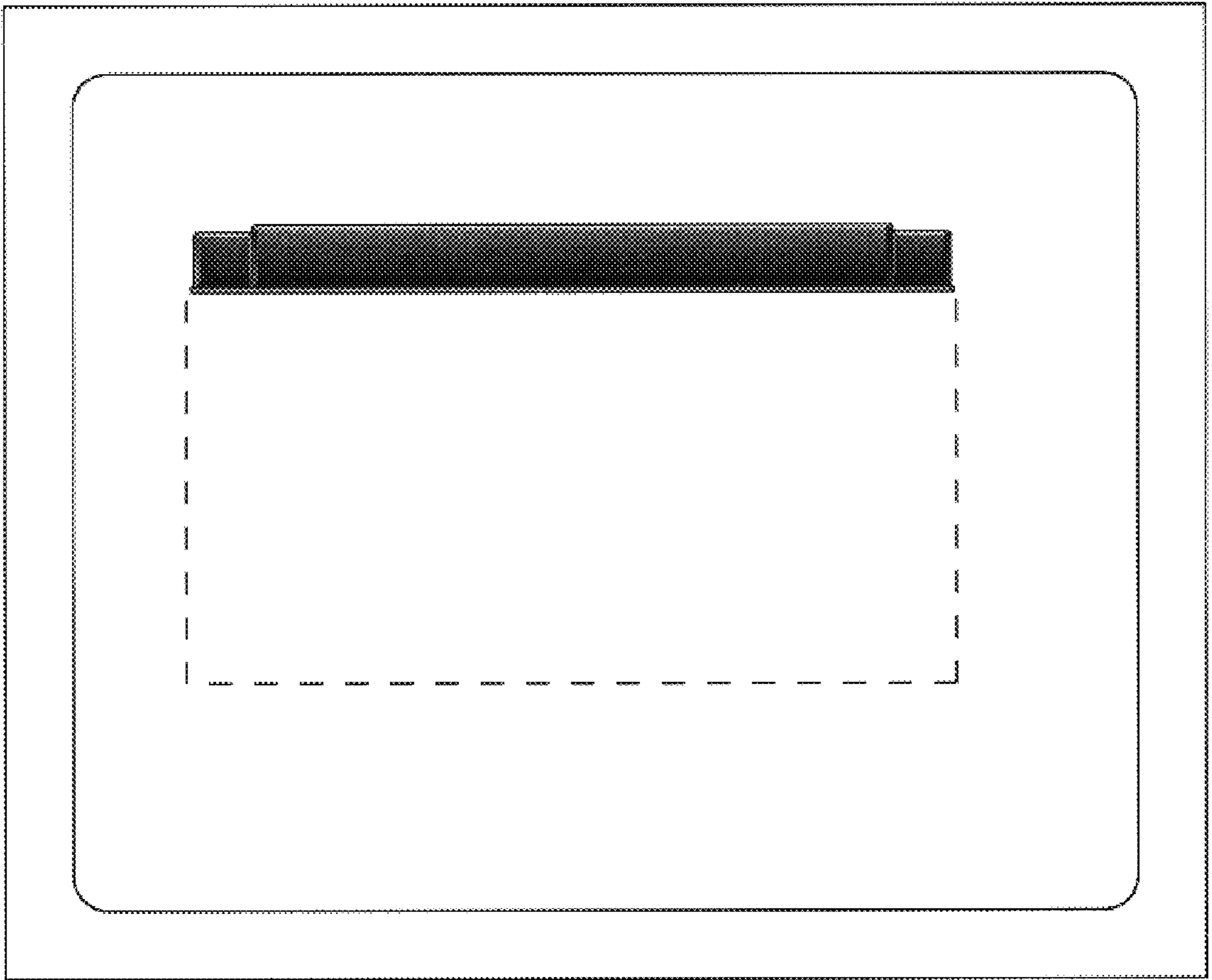


FIG. 12