



US00D424031S

# United States Patent [19] Daly

[11] **Patent Number: Des. 424,031**

[45] **Date of Patent: \*\* May 2, 2000**

[54] **COMPUTER HOUSING**

[75] Inventor: **John J. Daly**, Irvine, Calif.

[73] Assignee: **Toshiba America Information Systems**, Irvine, Calif.

[\*\*] Term: **14 Years**

[21] Appl. No.: **29/105,361**

[22] Filed: **May 22, 1999**

[51] **LOC (7) Cl.** ..... **14-02**

[52] **U.S. Cl.** ..... **D14/102**

[58] **Field of Search** ..... D14/100, 102,  
D14/107-109; D13/162, 184, 199; 360/99.12;  
361/600, 622, 724-728

[56] **References Cited**

**U.S. PATENT DOCUMENTS**

D. 366,030 1/1996 Tinsley, Jr. et al. .... D14/102

D. 370,467 6/1996 Barthelemy et al. .... D14/102

D. 397,681 9/1998 Lin ..... D14/102

D. 400,514 11/1998 Yeh ..... D14/102

*Primary Examiner*—Freda Nunn  
*Attorney, Agent, or Firm*—Limbach & Limbach

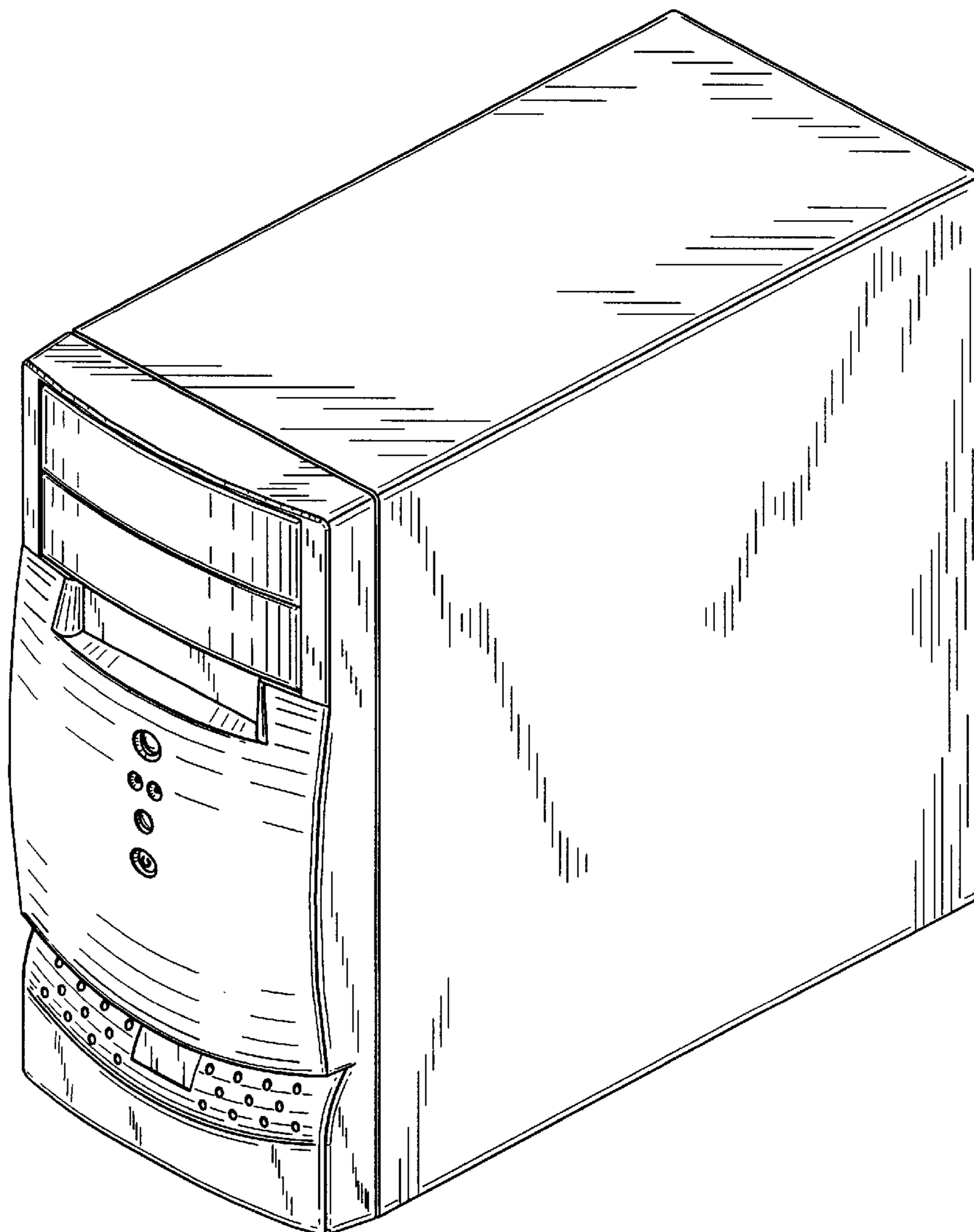
[57] **CLAIM**

The ornamental design for a computer housing, as shown and described.

**DESCRIPTION**

FIG. 1 is a front, top, left perspective view of a computer housing showing the new design;  
FIG. 2 is a front elevation view thereof;  
FIG. 3 is a rear elevation view thereof;  
FIG. 4 is a top plan view thereof;  
FIG. 5 is a bottom plan view thereof; and,  
FIG. 6 is a right side elevation view thereof, the left side being a mirror image of the right side.

**1 Claim, 6 Drawing Sheets**



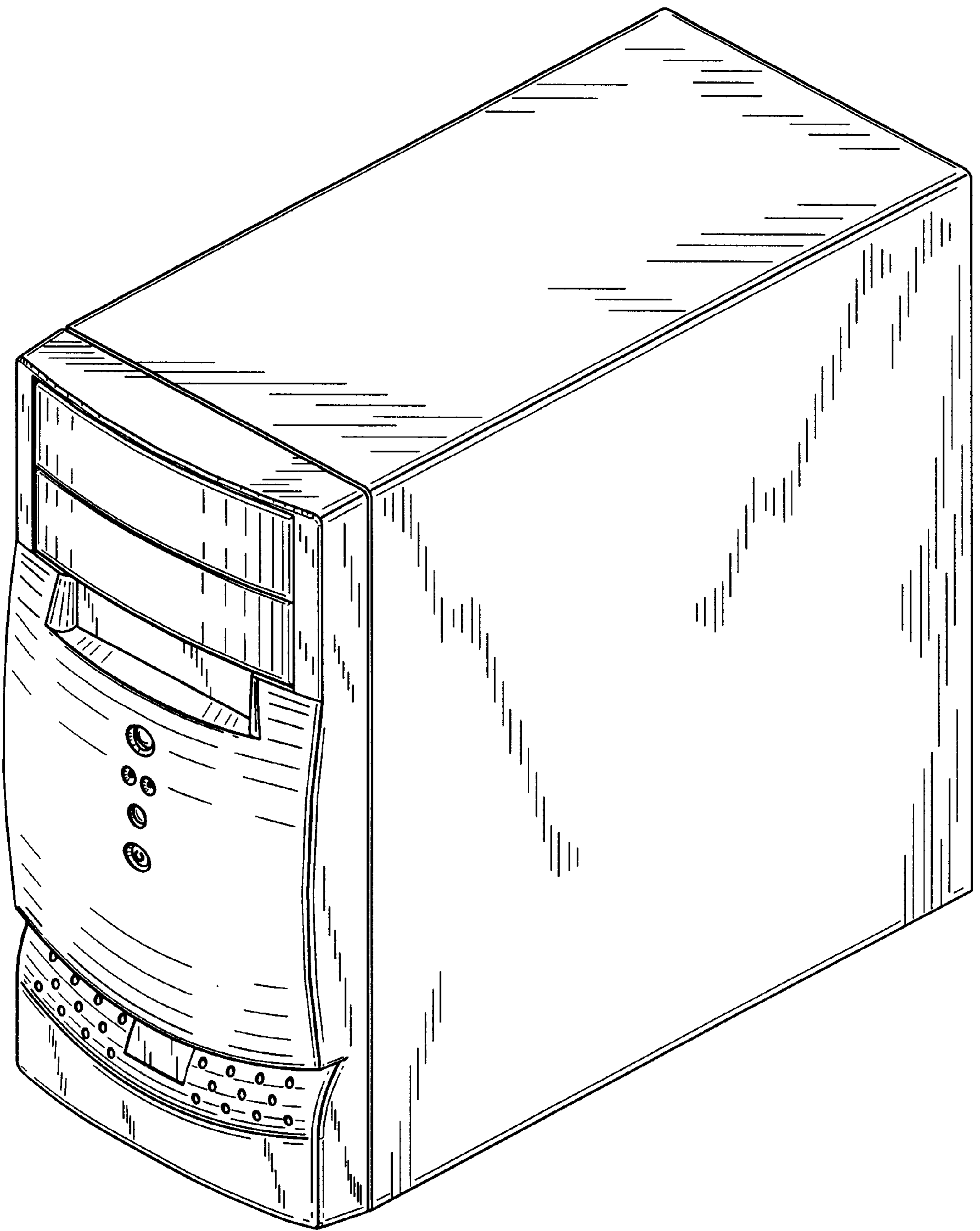


FIG. 1

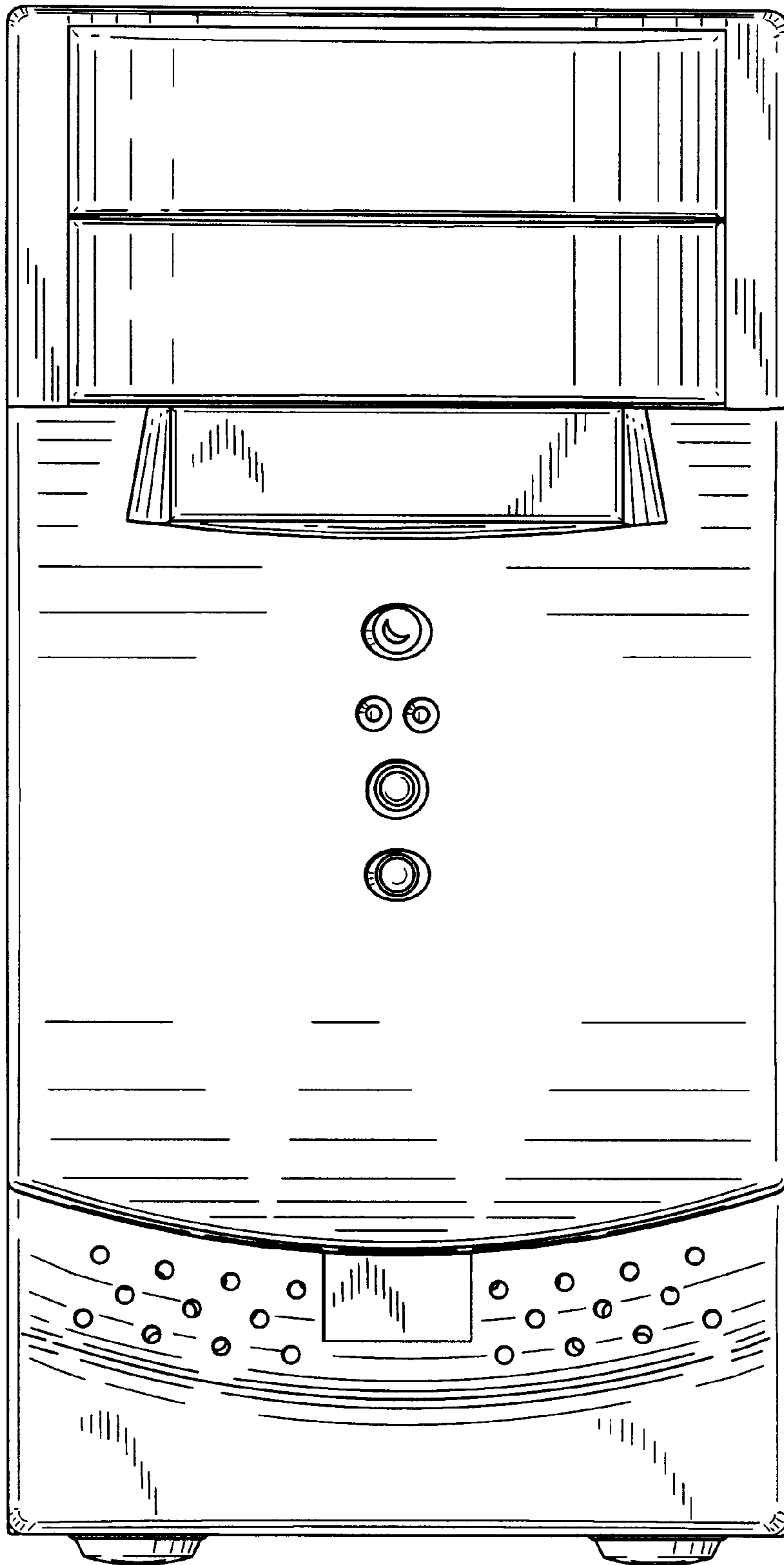
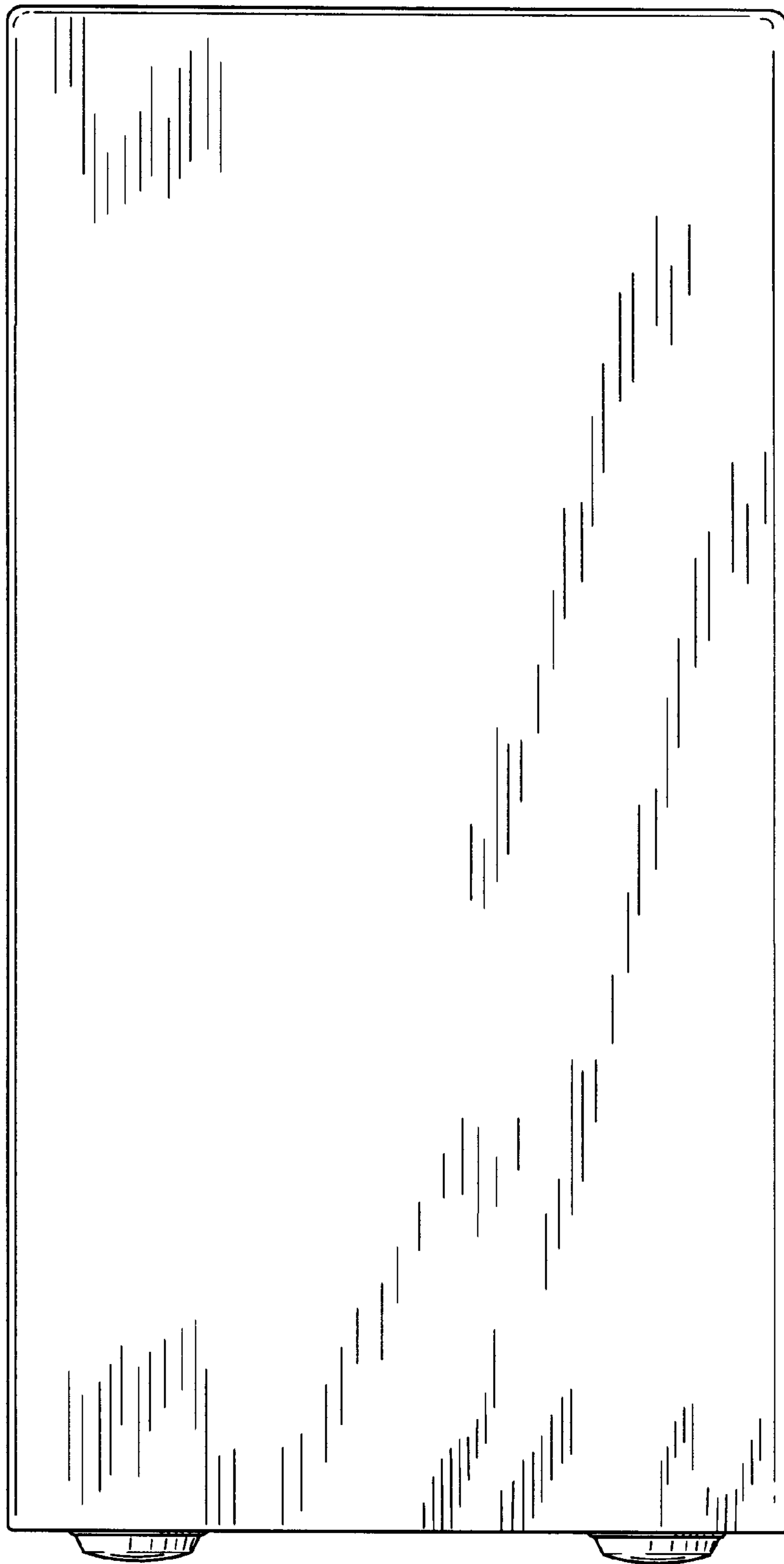
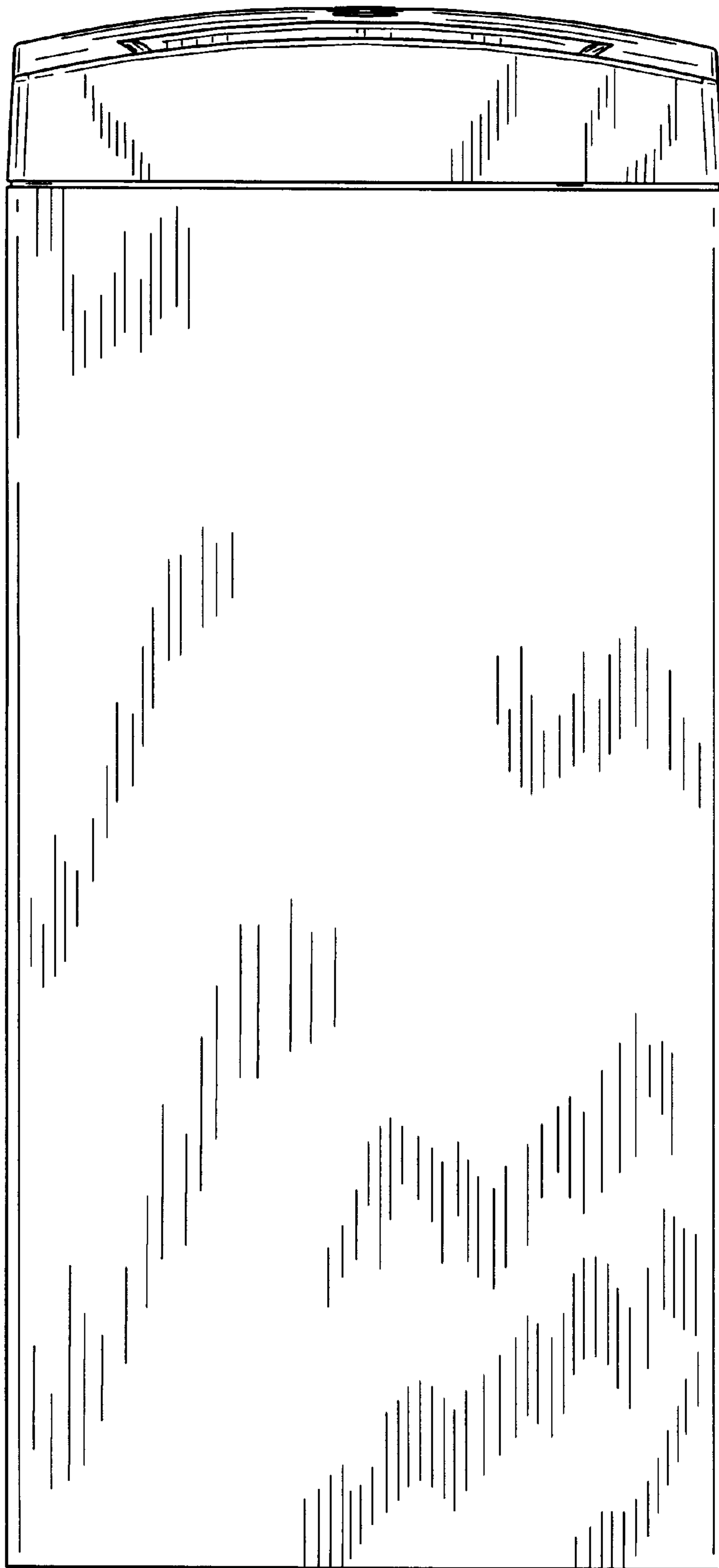


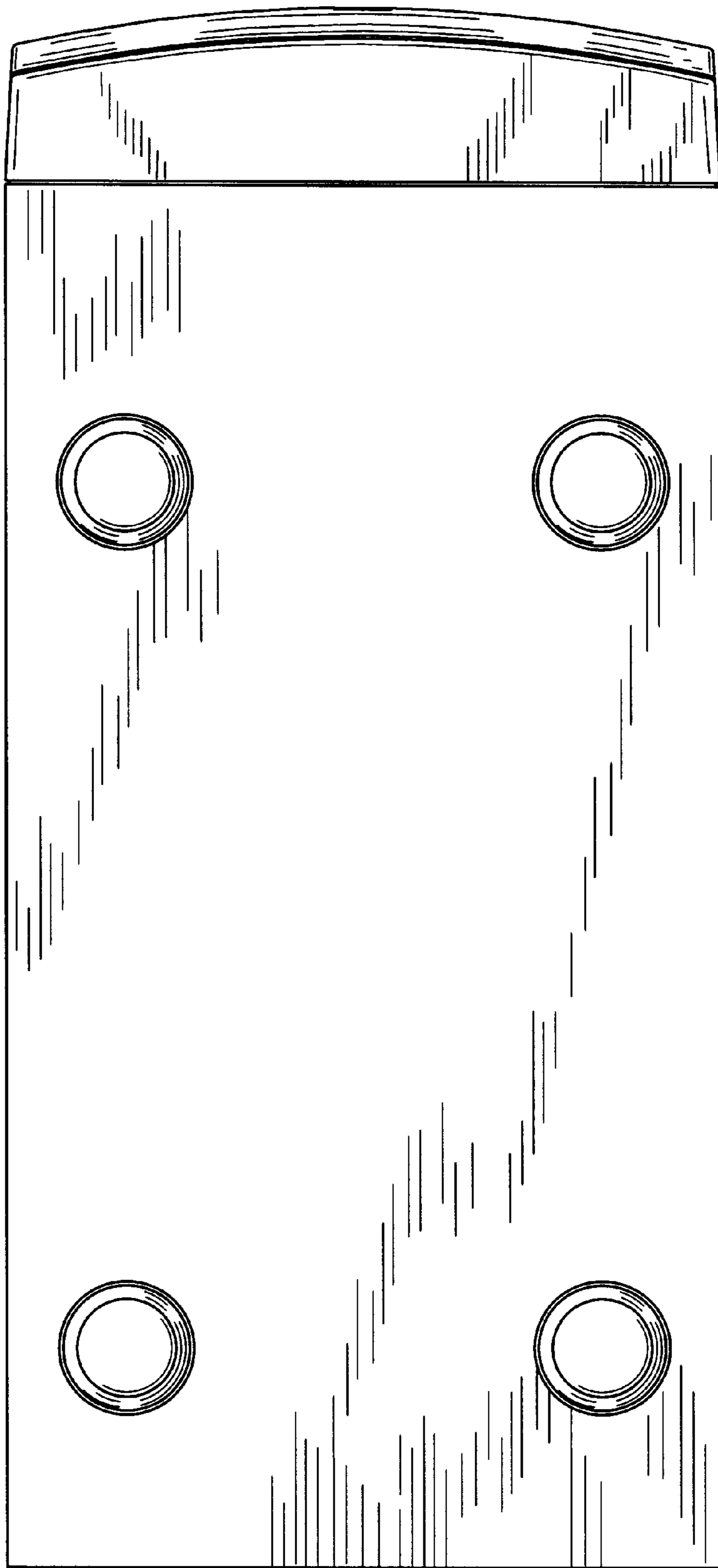
FIG. 2



**FIG. 3**



**FIG. 4**



**FIG. 5**

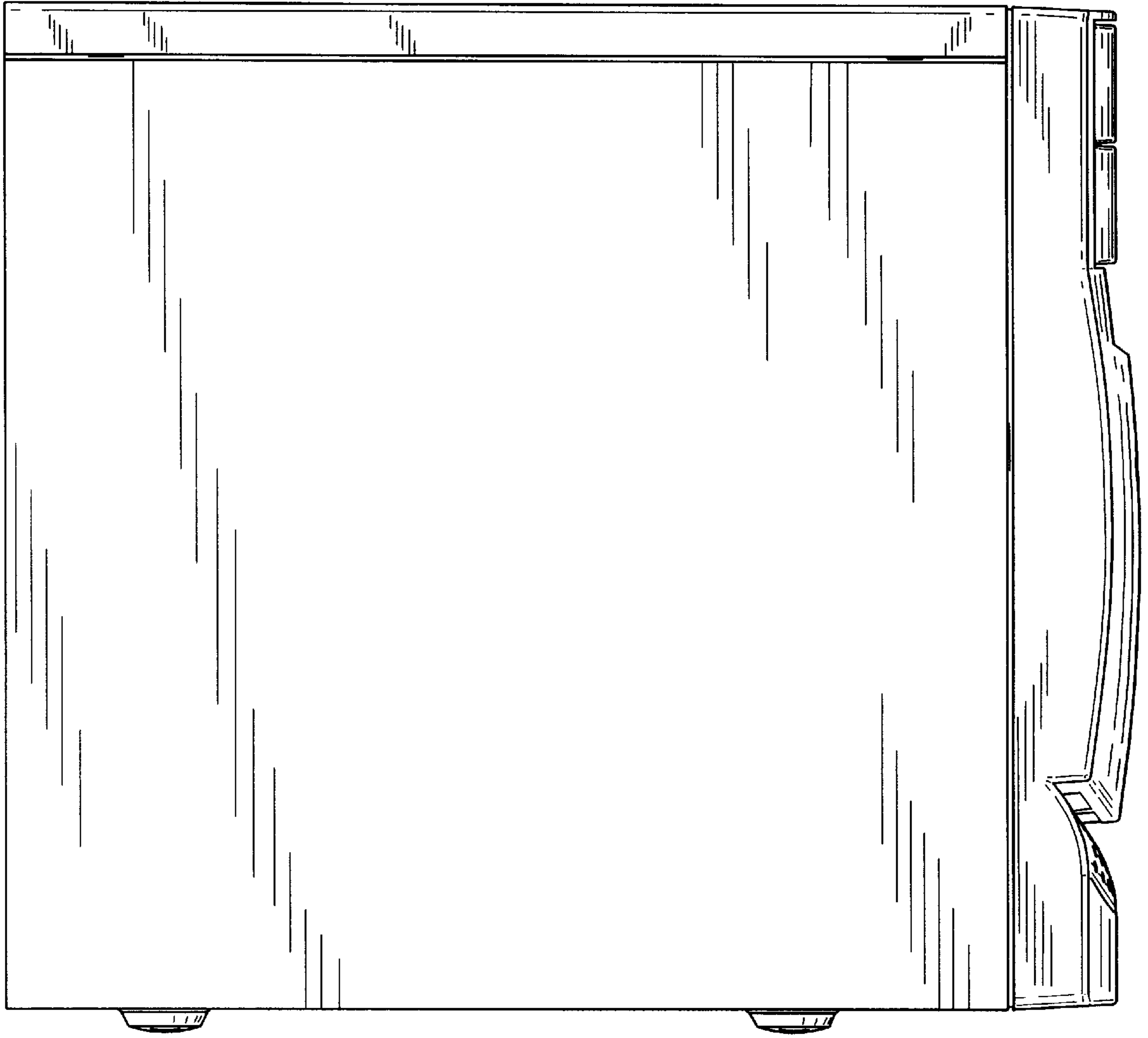


FIG. 6