



US00D424027S

United States Patent [19]

[11] **Patent Number: Des. 424,027**

Shoda et al.

[45] **Date of Patent: ** May 2, 2000**

[54] **HOUSING ADAPTED TO RELEASABLY RECEIVE A DEVICE BAY ELECTRONIC COMPONENT**

5,831,820 11/1998 Huang 361/686
5,914,854 6/1999 Holt 361/683

[75] Inventors: **Thomas Mamoru Shoda**, Campbell;
Livius Dumitru Chebeleu, Cupertino,
both of Calif.

Primary Examiner—Brian N. Vinson
Attorney, Agent, or Firm—Haverstock & Owens LLP

[73] Assignee: **Palo Alto Design Group**, Palo Alto,
Calif.

[57] CLAIM

[**] Term: **14 Years**

We claim the ornamental design for a housing, adapted to releasably receive a device bay electronic component as shown and described.

[21] Appl. No.: **29/096,511**

[22] Filed: **Nov. 13, 1998**

DESCRIPTION

[51] **LOC (7) Cl.** **13-03**

[52] **U.S. Cl.** **D13/184**

[58] **Field of Search** D13/184; 361/600,
361/679, 683, 684, 685, 686

FIG. 1 is a front elevation view of the housing showing our new invention;
FIG. 2 is a left elevation view thereof;
FIG. 3 is a top plan view thereof;
FIG. 4 is a right side elevation view thereof;
FIG. 5 is a back elevation thereof;
FIG. 6 is a bottom plan view thereof;
FIG. 7 is a perspective view of the preferred embodiment thereof showing the device closed; and,
FIG. 8 is a perspective view of the preferred embodiment thereof showing the device open.

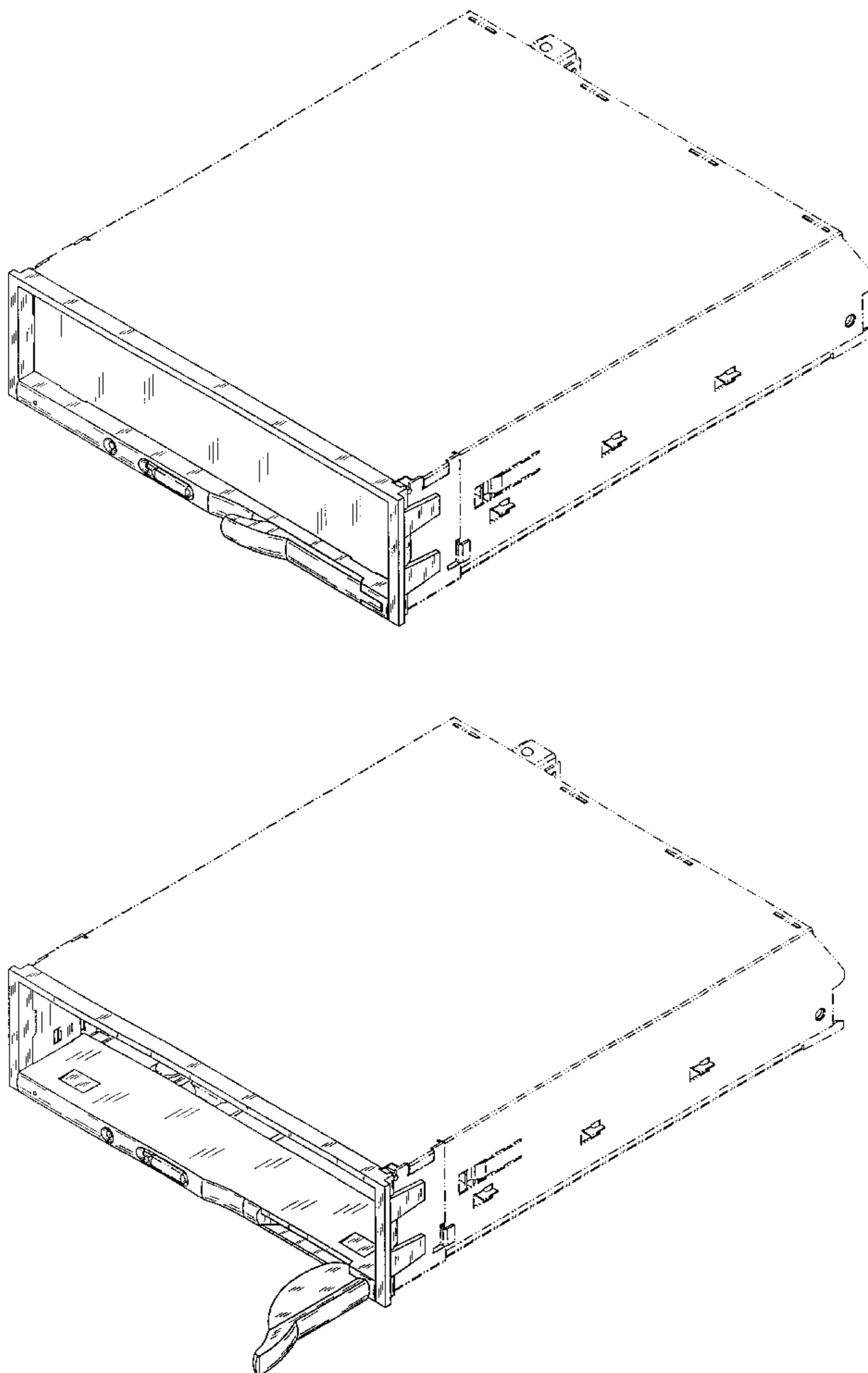
The broken-line disclosure in the drawings is for illustrative purposes only and forms no part of the claimed design.

[56] References Cited

U.S. PATENT DOCUMENTS

D. 316,853	5/1991	Dickey	D13/84	X
D. 353,800	12/1994	Lewis et al.	D13/184	
D. 373,589	9/1996	Peterson et al.	D13/184	X
5,765,933	6/1998	Paul et al.	361/685	X

1 Claim, 8 Drawing Sheets



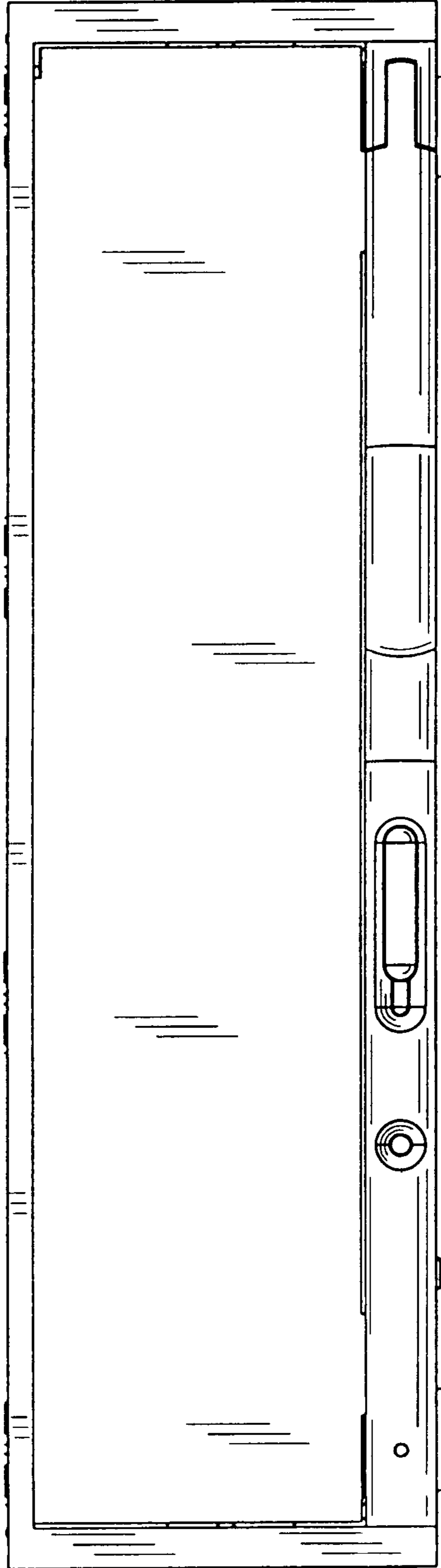


Fig. 1

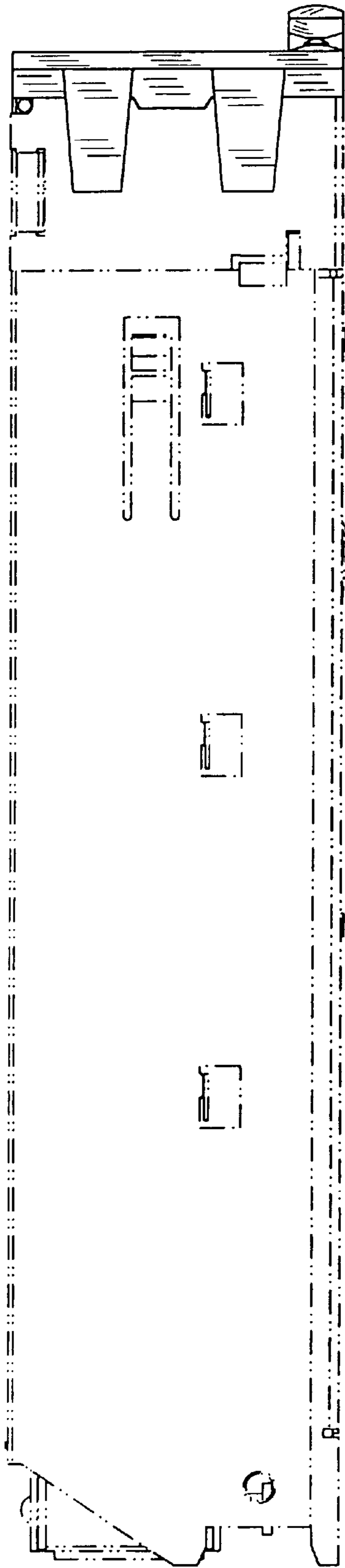


Fig. 2

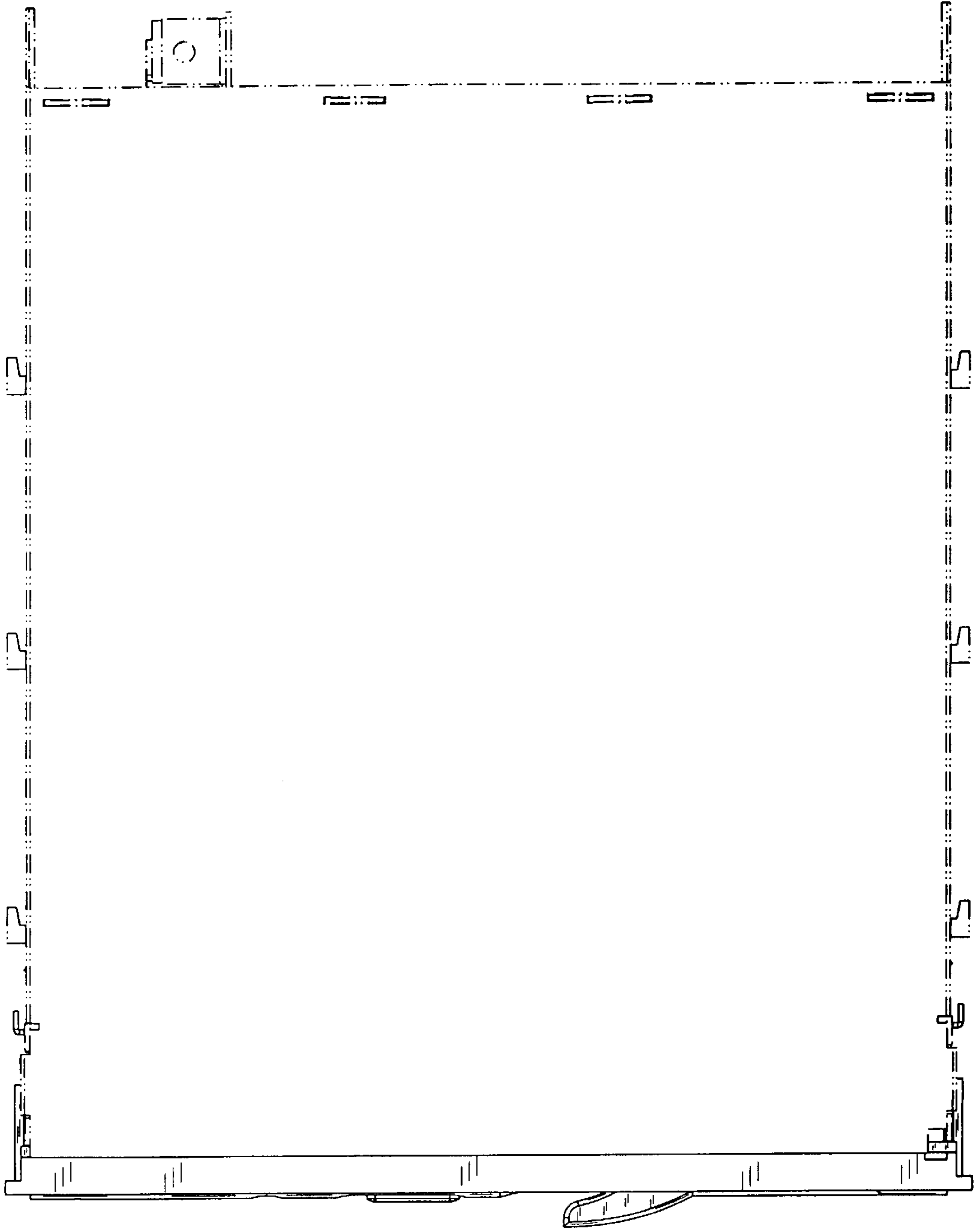


Fig. 3

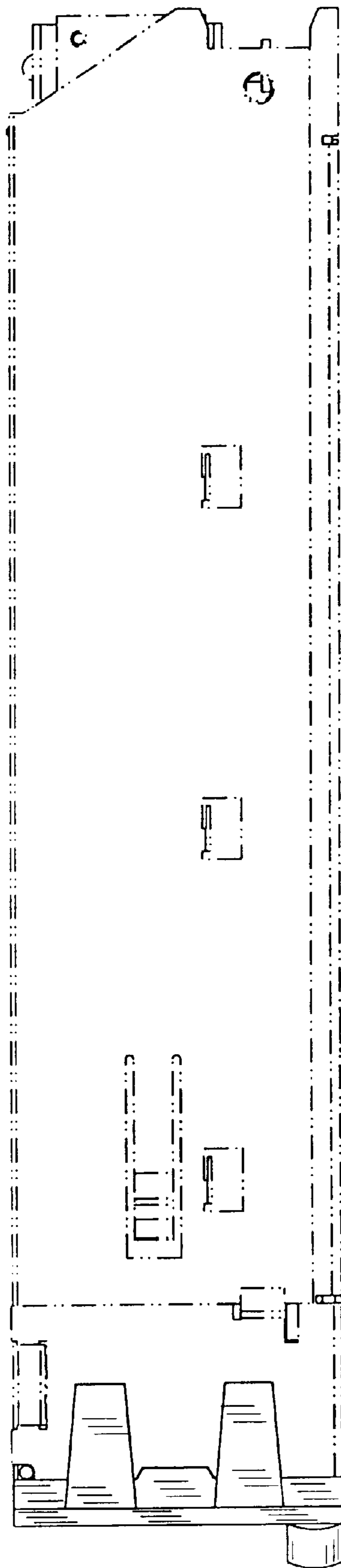


Fig. 4

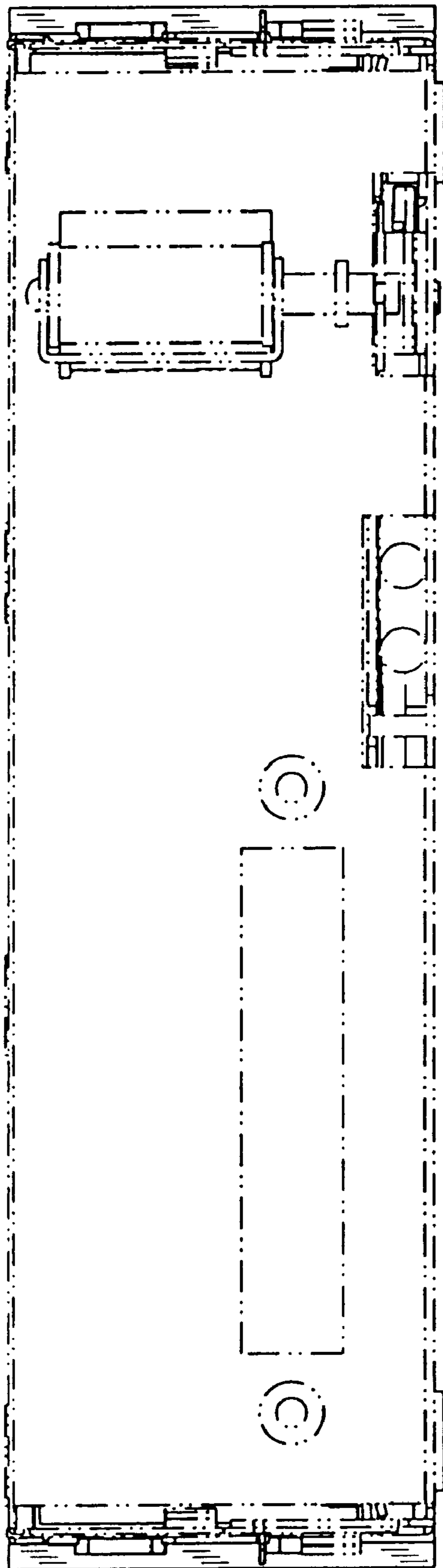


Fig. 5

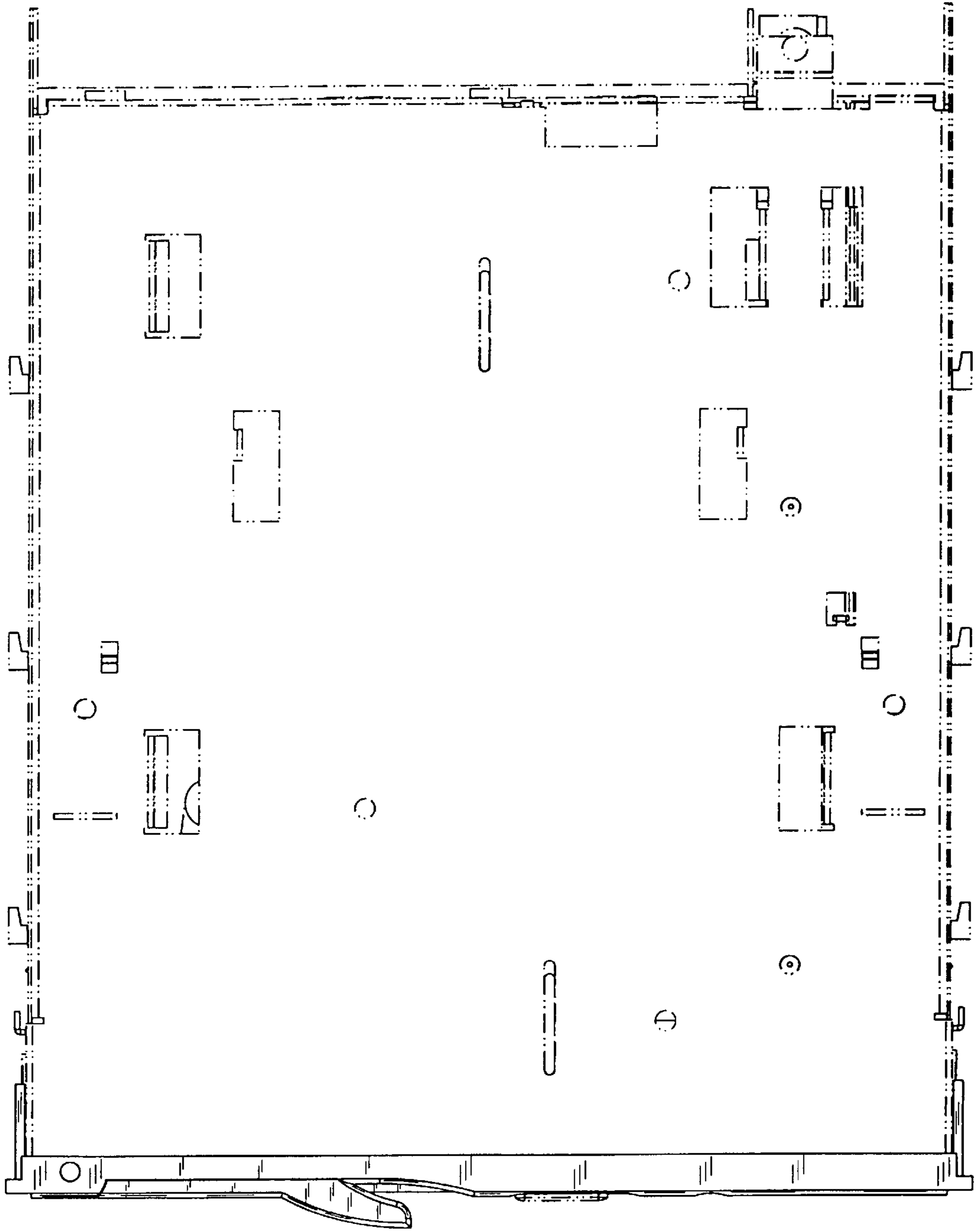


Fig. 6

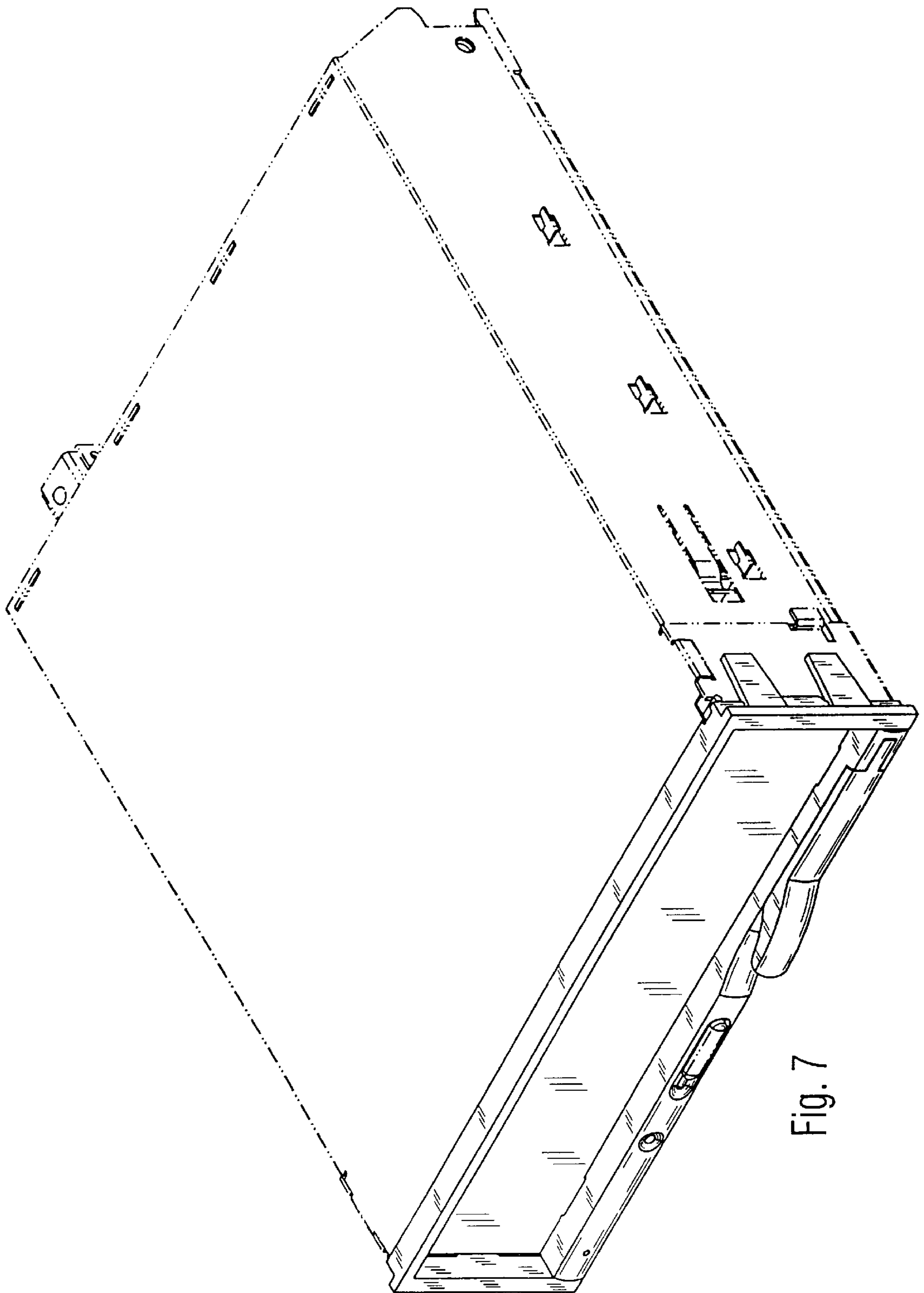


Fig. 7

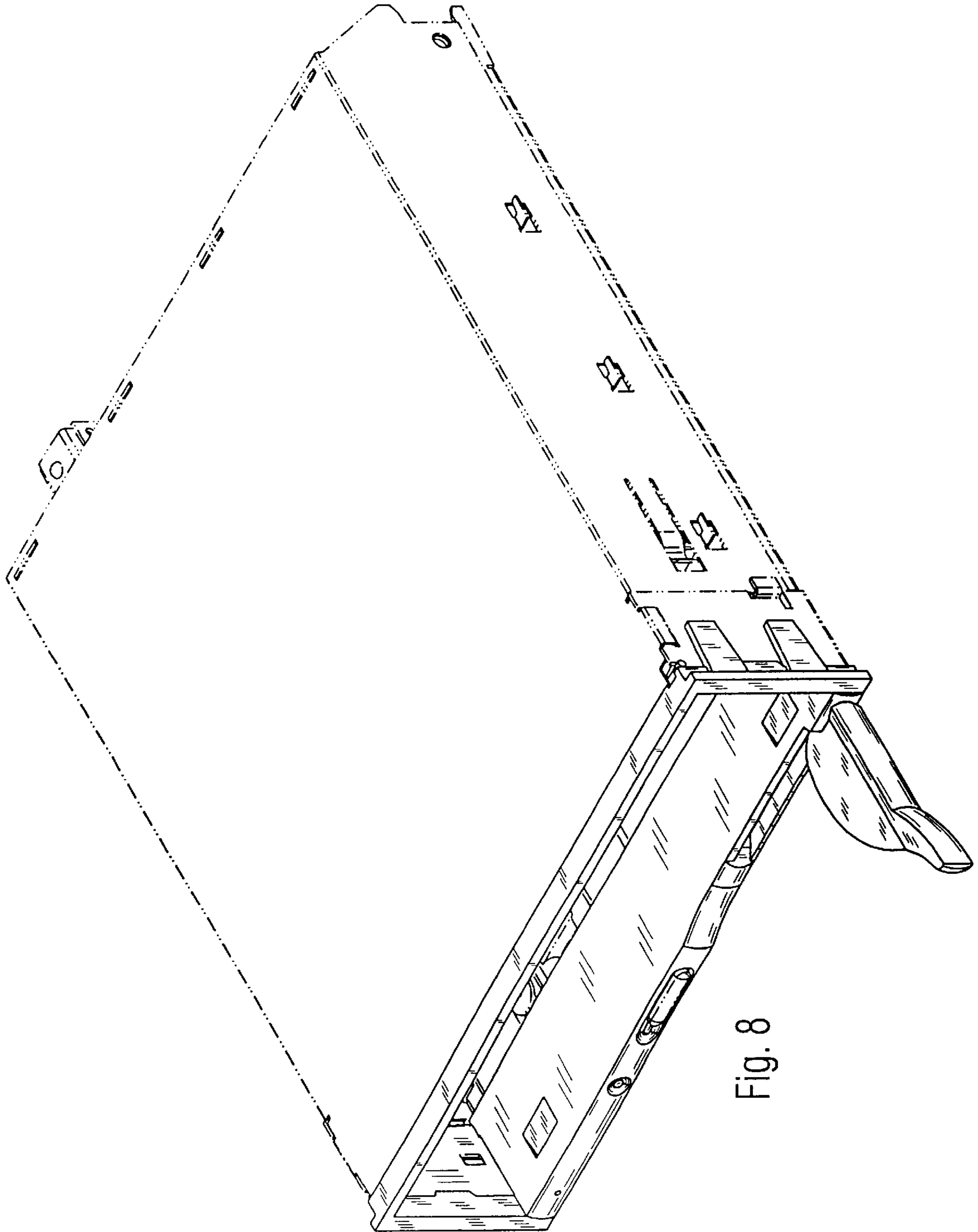


Fig. 8