



US00D424021S

# United States Patent [19]

[11] **Patent Number: Des. 424,021**

**Amin**

[45] **Date of Patent: \*\* May 2, 2000**

## [54] CABLE CONNECTOR

## DESCRIPTION

[76] Inventor: **Harish A. Amin**, 644 Port Patrick Pl., Fort Mill, S.C. 29715

FIG. 1 is a perspective view of a male portion of a cable connector showing my new design.

[\*\*] Term: **14 Years**

FIG. 2 is a perspective view of a female portion of a cable connector showing my new design.

[21] Appl. No.: **29/110,280**

FIG. 3 is a right end view of the male portion of a cable connector as shown in FIG. 1 showing my new design.

[22] Filed: **Sep. 2, 1999**

FIG. 4 is a side view of a male portion of a cable connector showing my new design.

[51] **LOC (7) Cl. .... 13-03**

FIG. 5 is a side view of a male portion cable connector showing my new design.

[52] **U.S. Cl. .... D13/151; D13/149**

FIG. 6 is a left end view of the male portion of a cable connector as shown in FIG. 1 showing my new design.

[58] **Field of Search .... D13/133, 151, D13/149; 439/102, 286, 311, 314, 316, 318, 310, 332, 337, 644, 740, 771, 784, 810, 814**

FIG. 7 is a top view of a male portion of a cable connector showing my new design.

## [56] **References Cited**

FIG. 8 is a bottom view of a male portion of a cable connector showing my new design.

### U.S. PATENT DOCUMENTS

FIG. 9 is a left end view of the female portion of a cable connector as shown in FIG. 2 showing my new design.

D. 333,511	2/1993	Mikiya et al. ....	D13/151 X
D. 339,568	9/1993	Salz .....	D13/151
1,751,572	3/1930	Beemer .....	439/784
1,941,715	1/1934	Pfisterer .....	439/784
2,035,661	1/1936	Buchanan .....	439/784
2,064,440	12/1936	Meeker .....	439/784 X
2,210,058	8/1940	Blackburn .....	439/784
2,261,414	11/1941	Rogoff .....	439/784
2,418,164	4/1947	Corley .....	439/784
4,752,252	6/1988	Cherry et al. ....	439/784
5,035,660	7/1991	Werner .....	439/796
5,201,914	4/1993	Hollick .....	439/810 X
5,618,200	4/1997	Norgaard .....	439/784 X

FIG. 10 is a side view of a female portion of a cable connector showing my new design.

*Primary Examiner*—Joel Sincavage  
*Attorney, Agent, or Firm*—Moore & Van Allen, PLLC;  
Michael G. Johnston

FIG. 11 is a side view of a female portion of a cable connector showing my new design.

FIG. 12 is a right end view of the female portion of a cable connector as shown in FIG. 2 showing my new design.

FIG. 13 is a top view of a female portion of a cable connector showing my new design.

FIG. 14 is a bottom view of a female portion of a cable connector showing my new design; and,

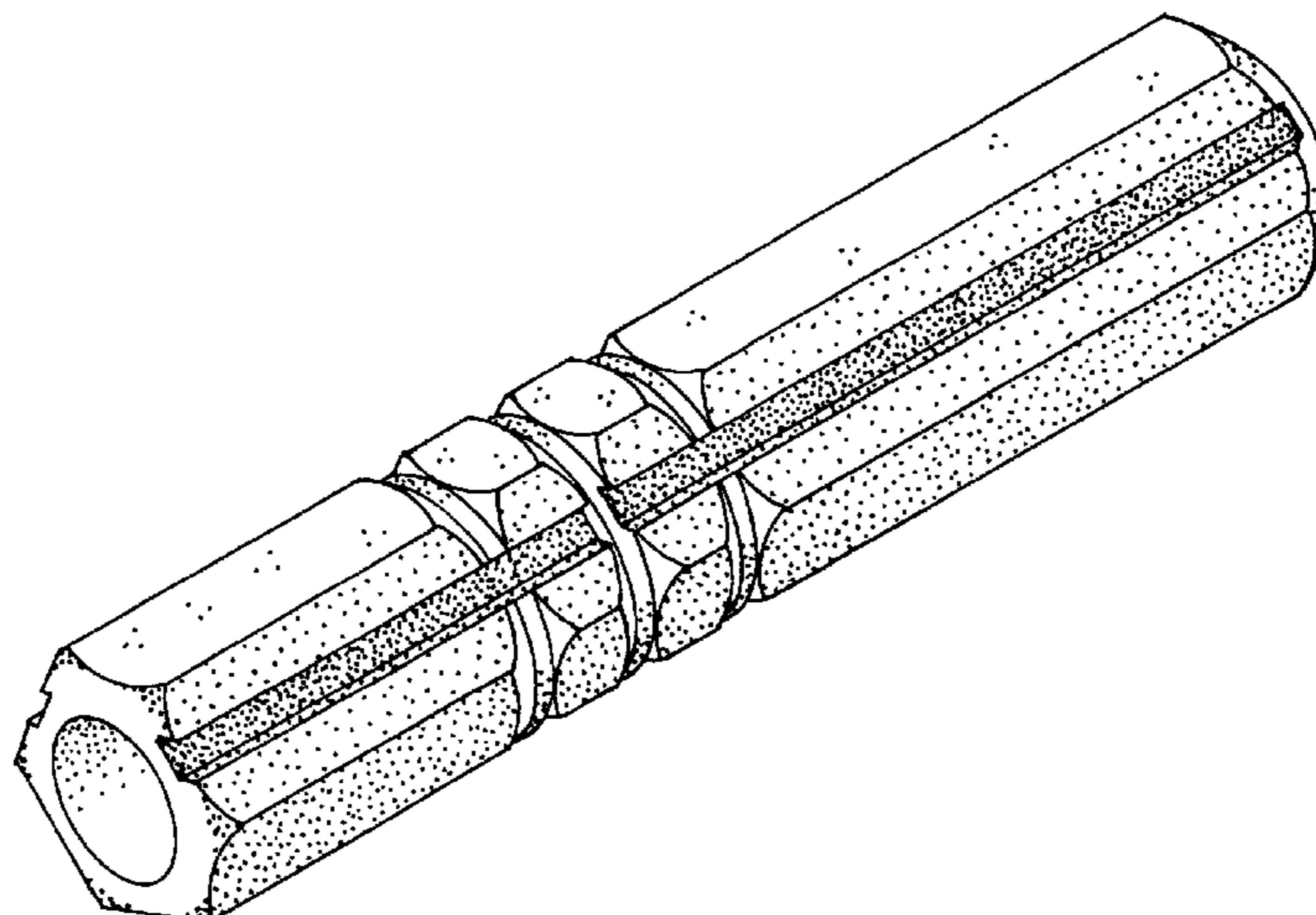
FIG. 15 is a perspective view of a connected male portion and female portion of a cable connector showing my new design.

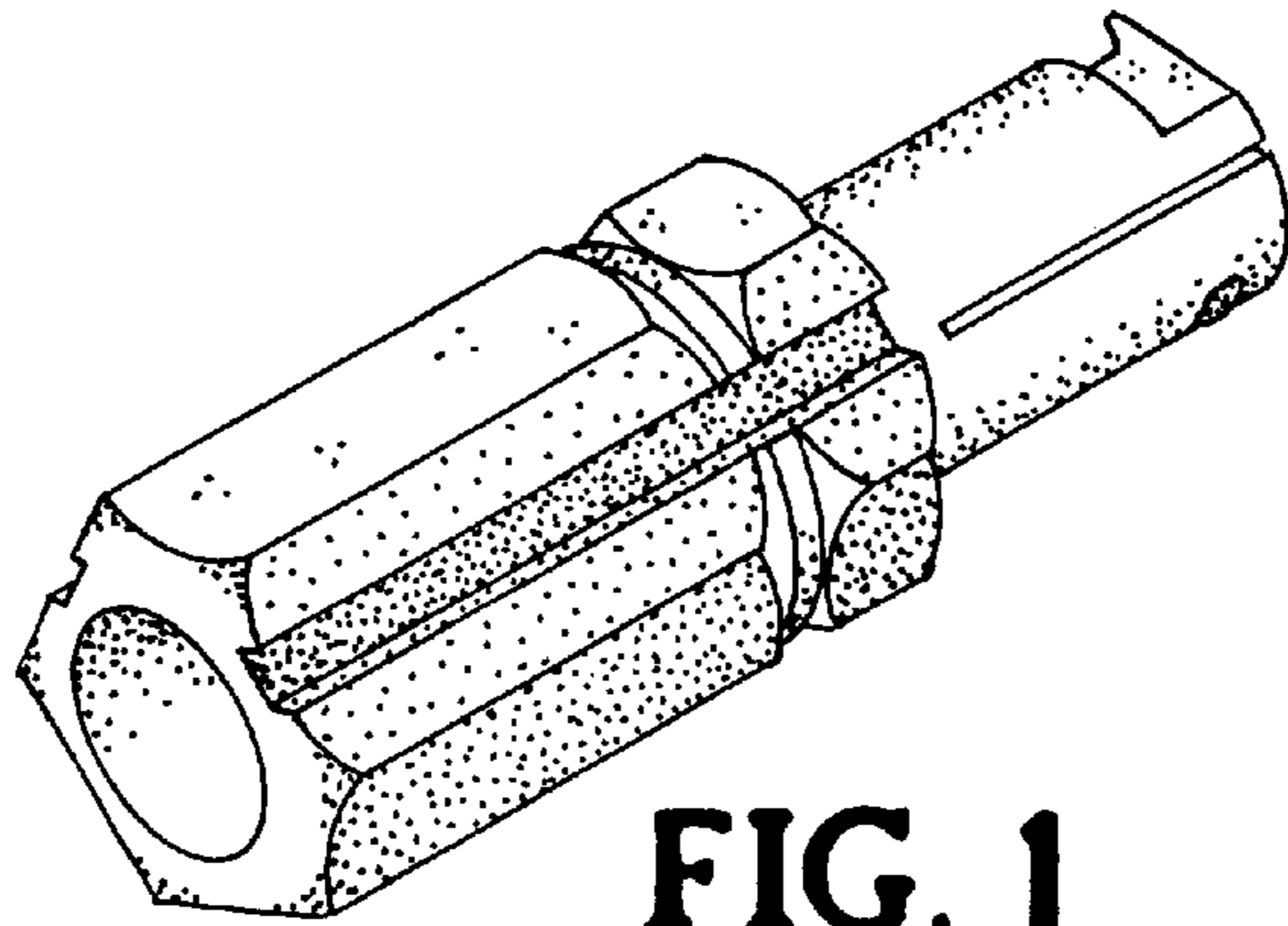
The connector referenced in the claim is the combined male and female portions. The male and female portions are shown separately for the purpose of a complete disclosure.

## [57] **CLAIM**

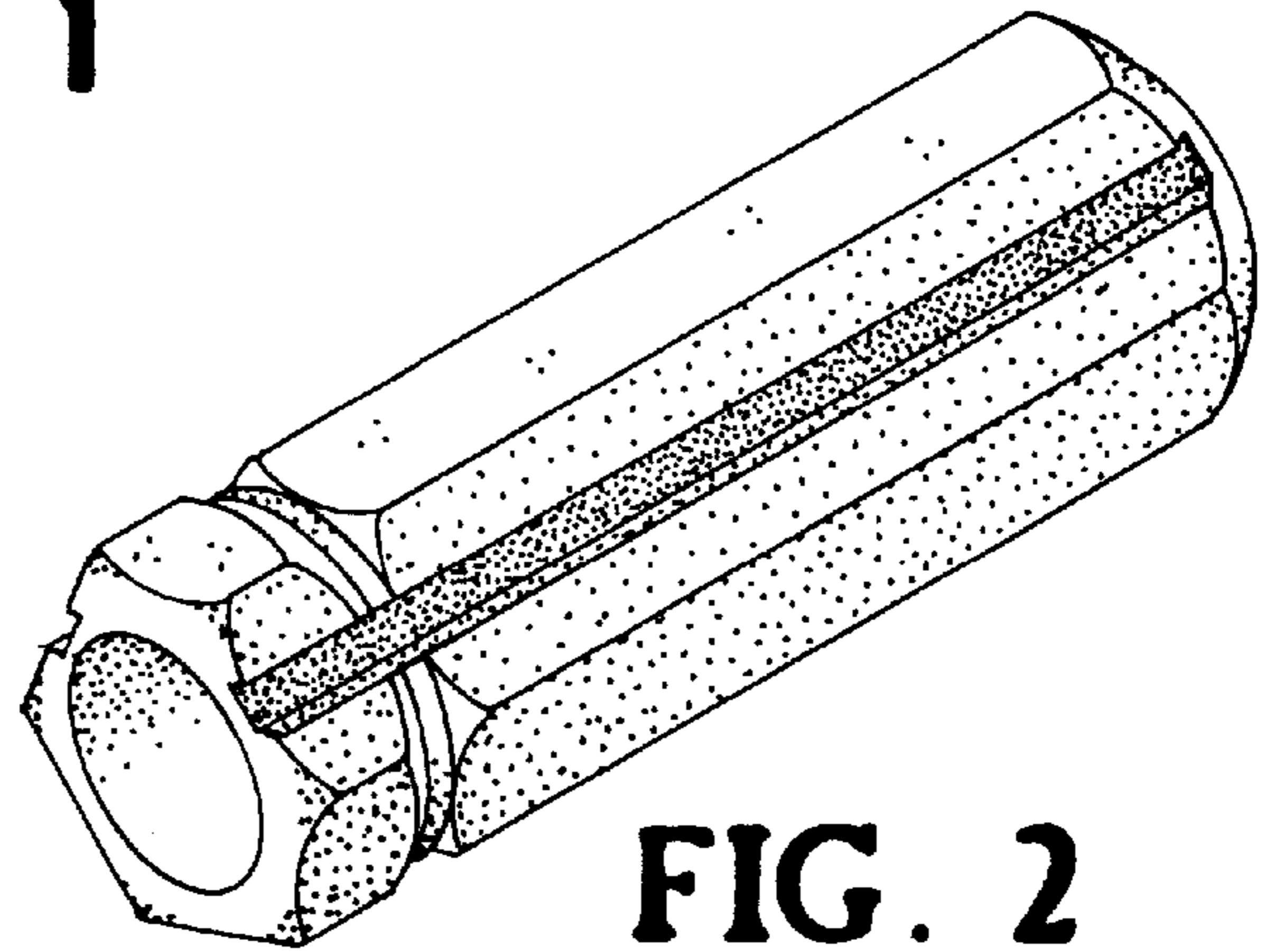
The ornamental design for a cable connector, as shown and described.

**1 Claim, 3 Drawing Sheets**

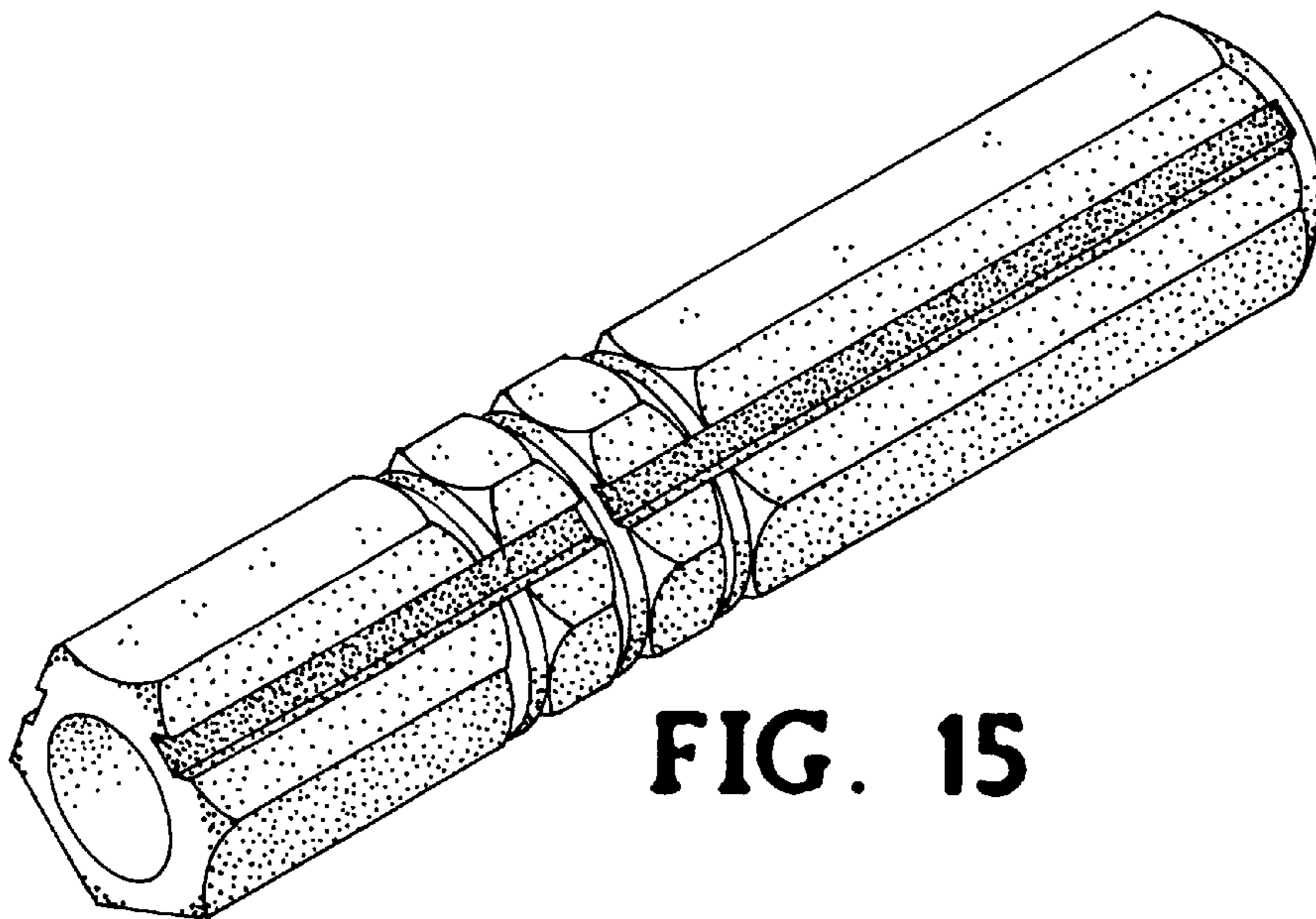




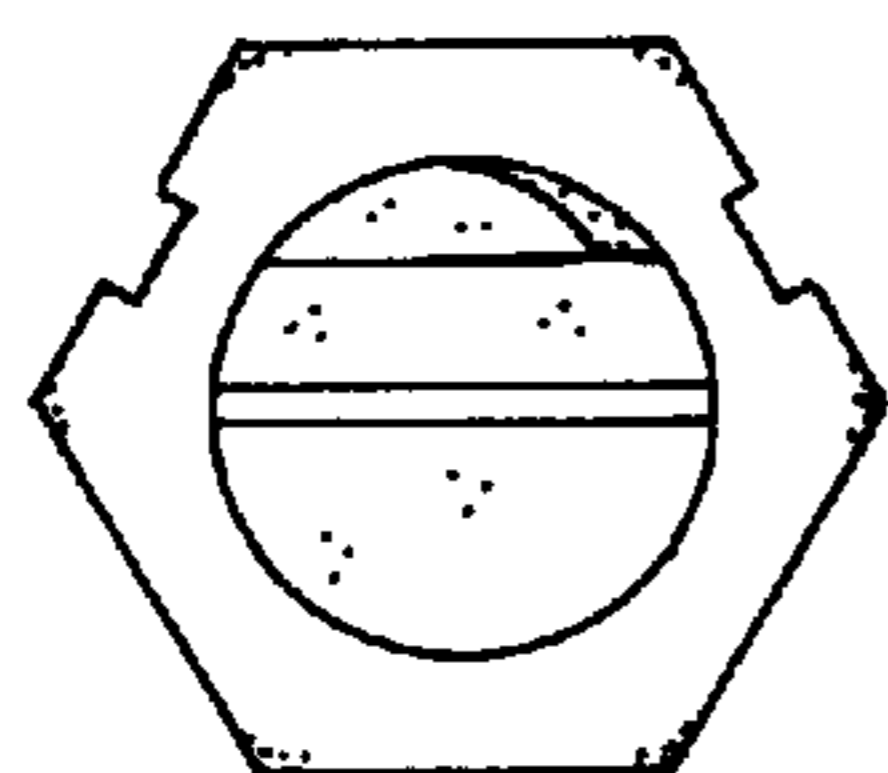
**FIG. 1**



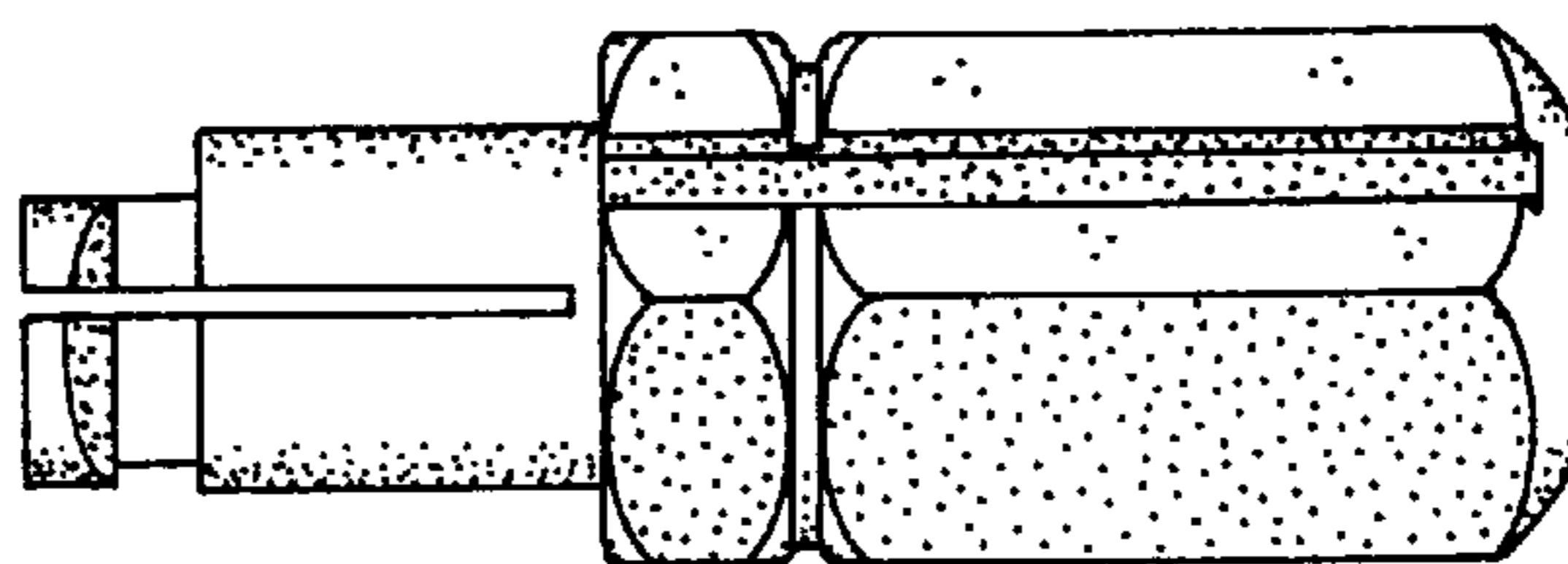
**FIG. 2**



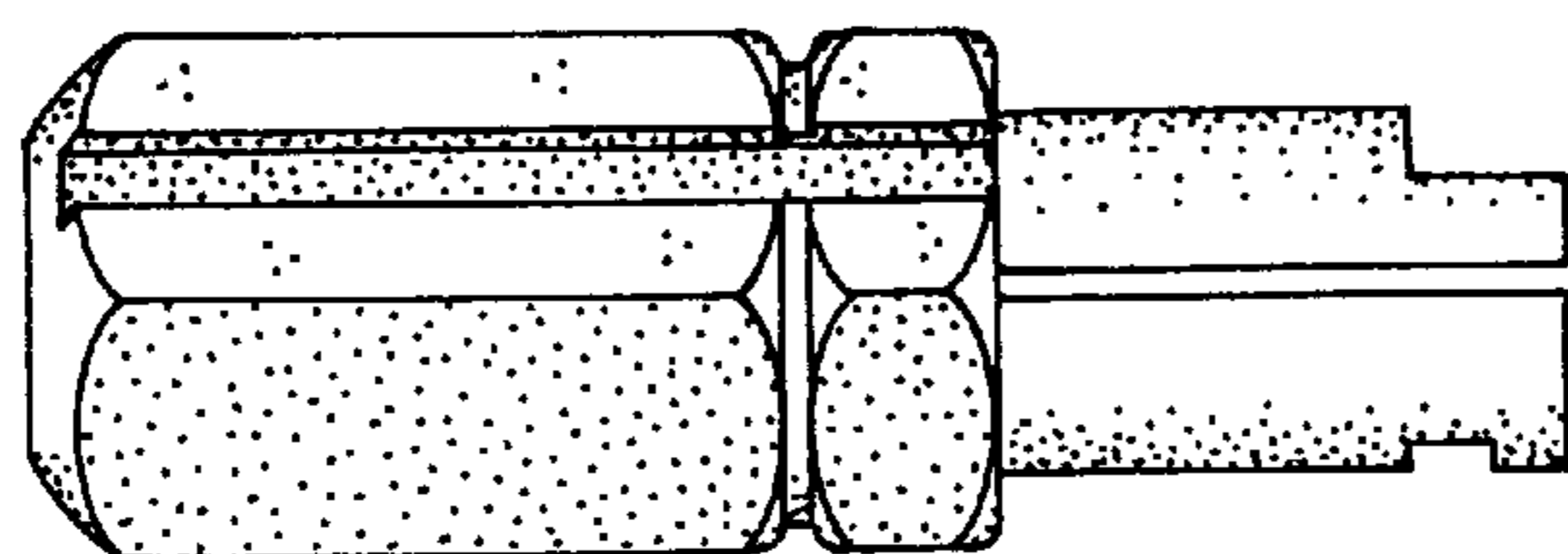
**FIG. 15**



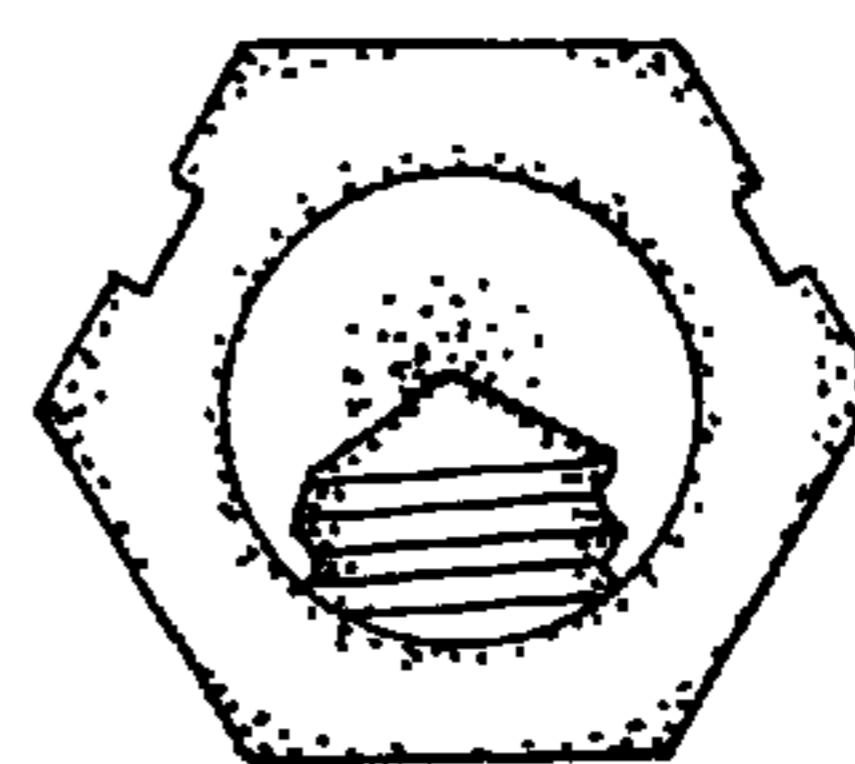
**FIG. 3**



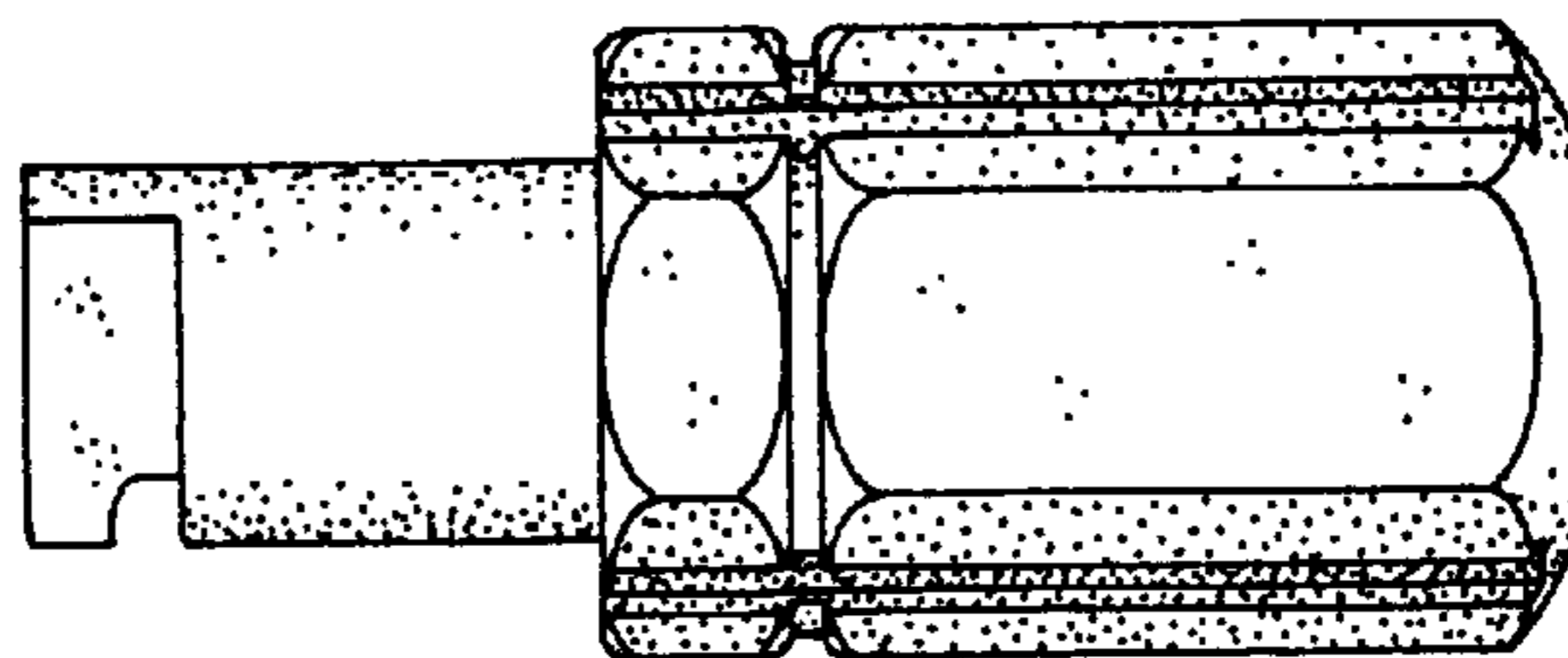
**FIG. 4**



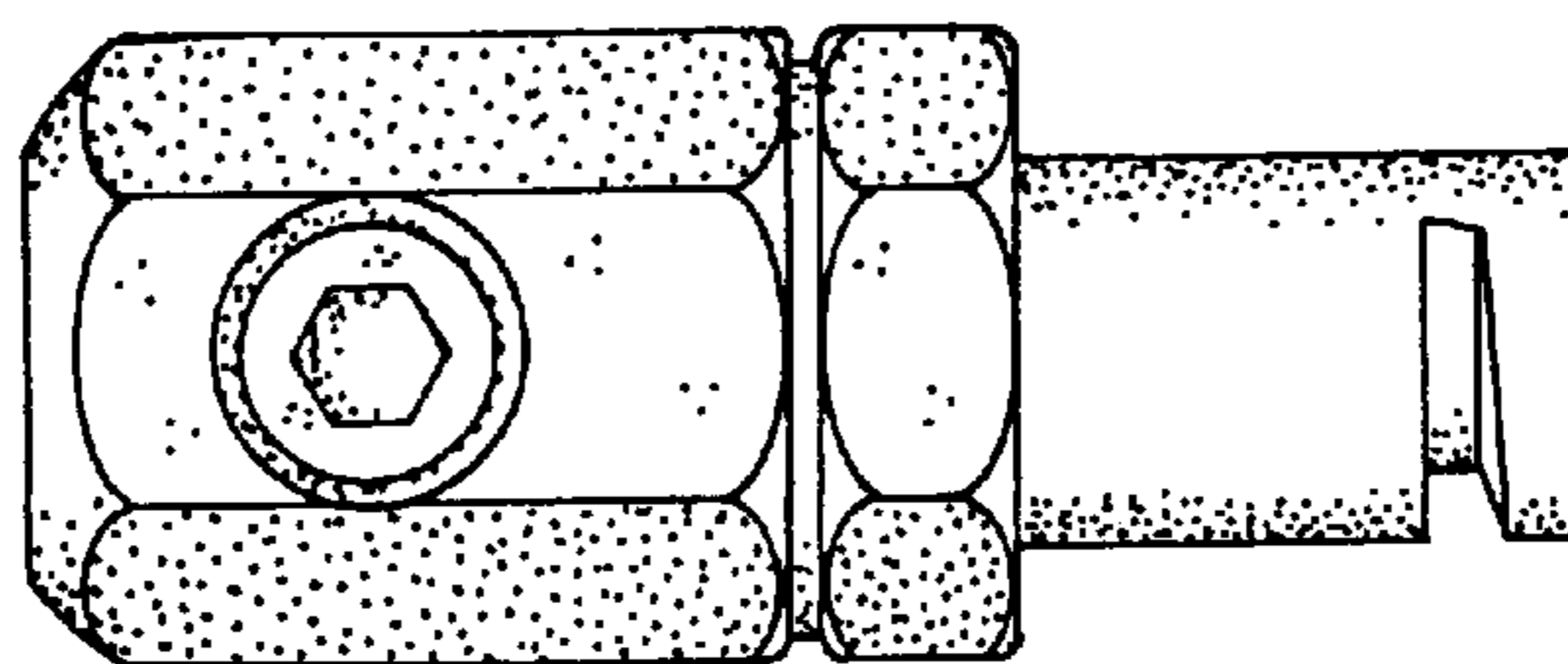
**FIG. 5**



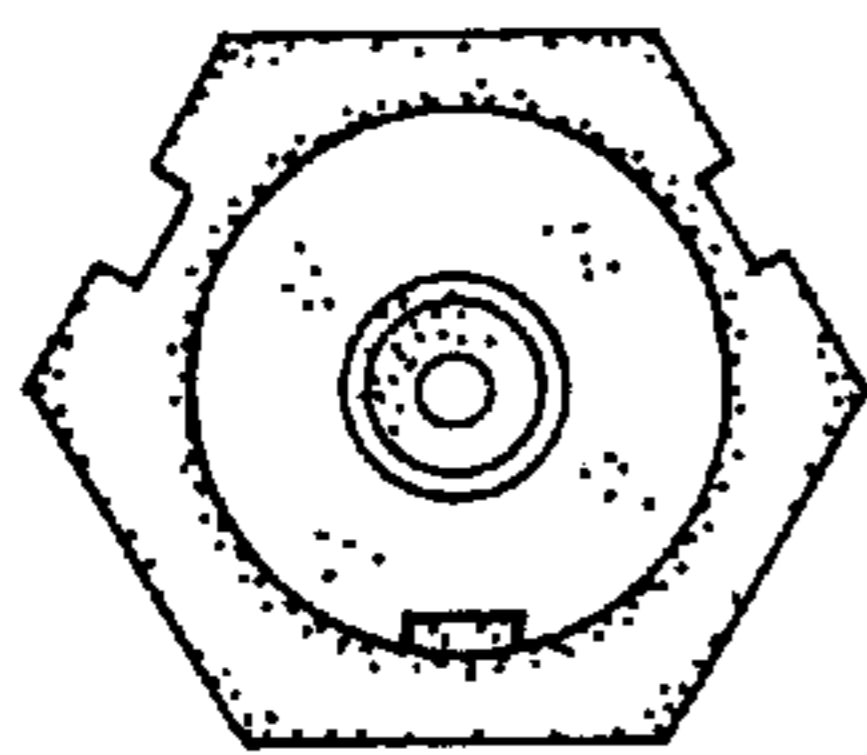
**FIG. 6**



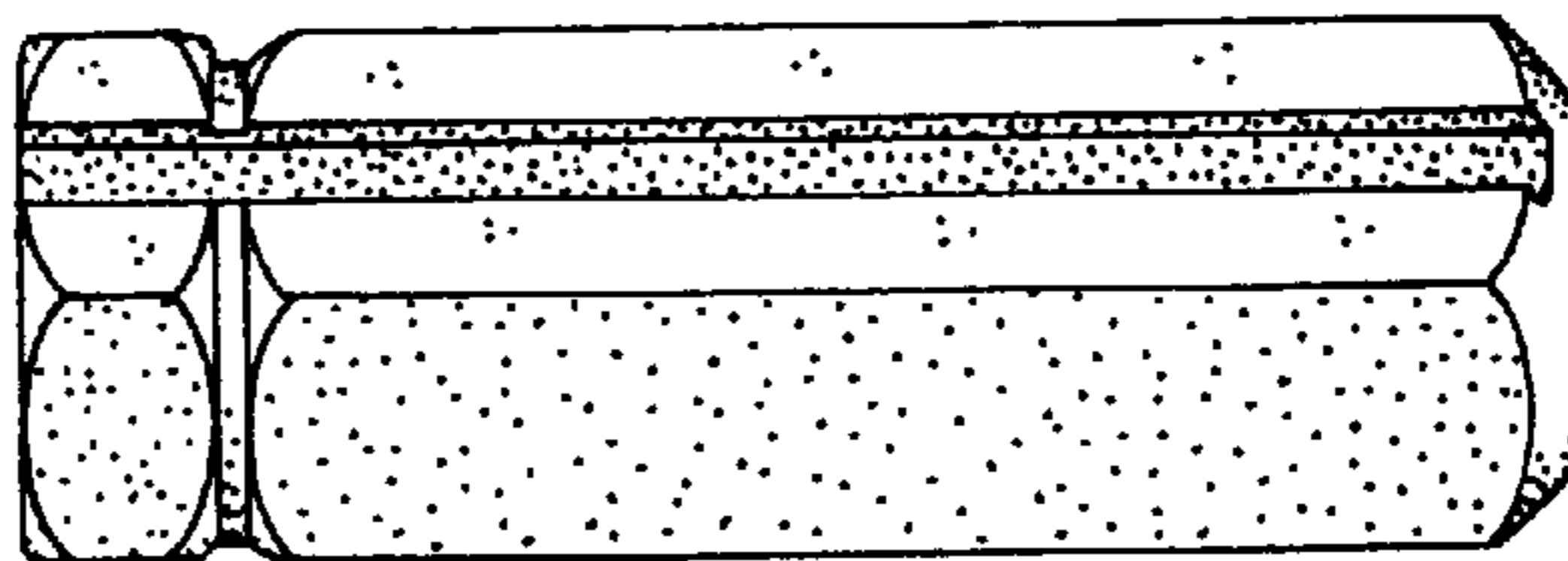
**FIG. 7**



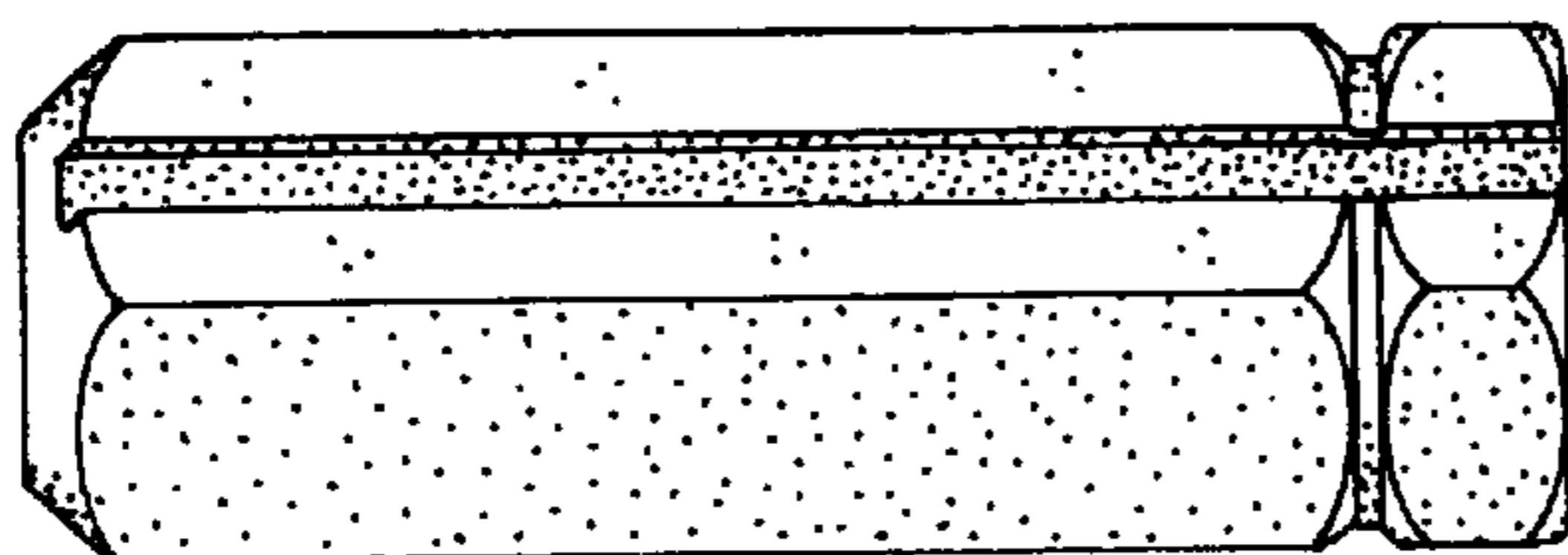
**FIG. 8**



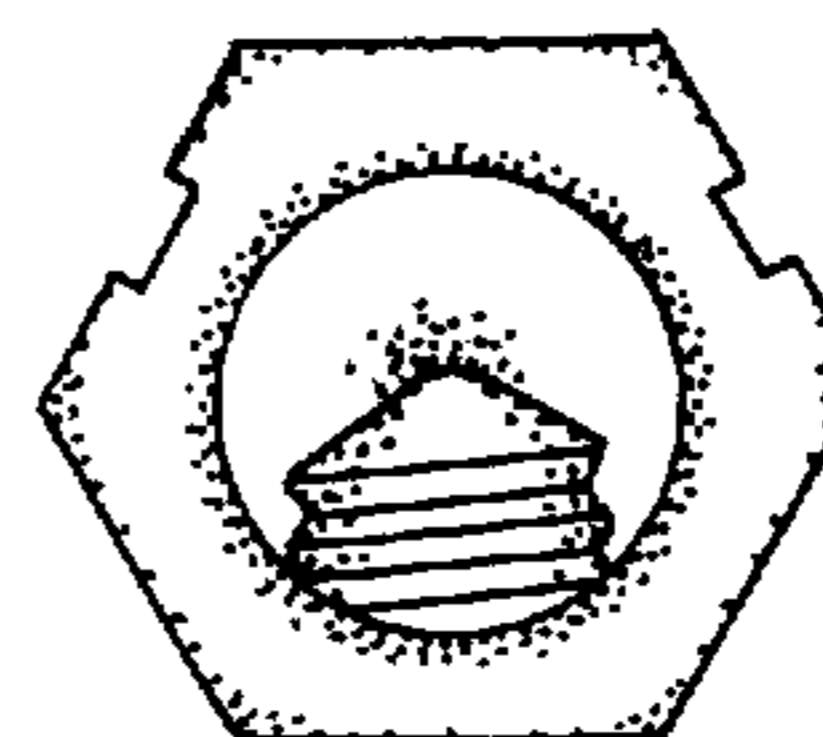
**FIG. 9**



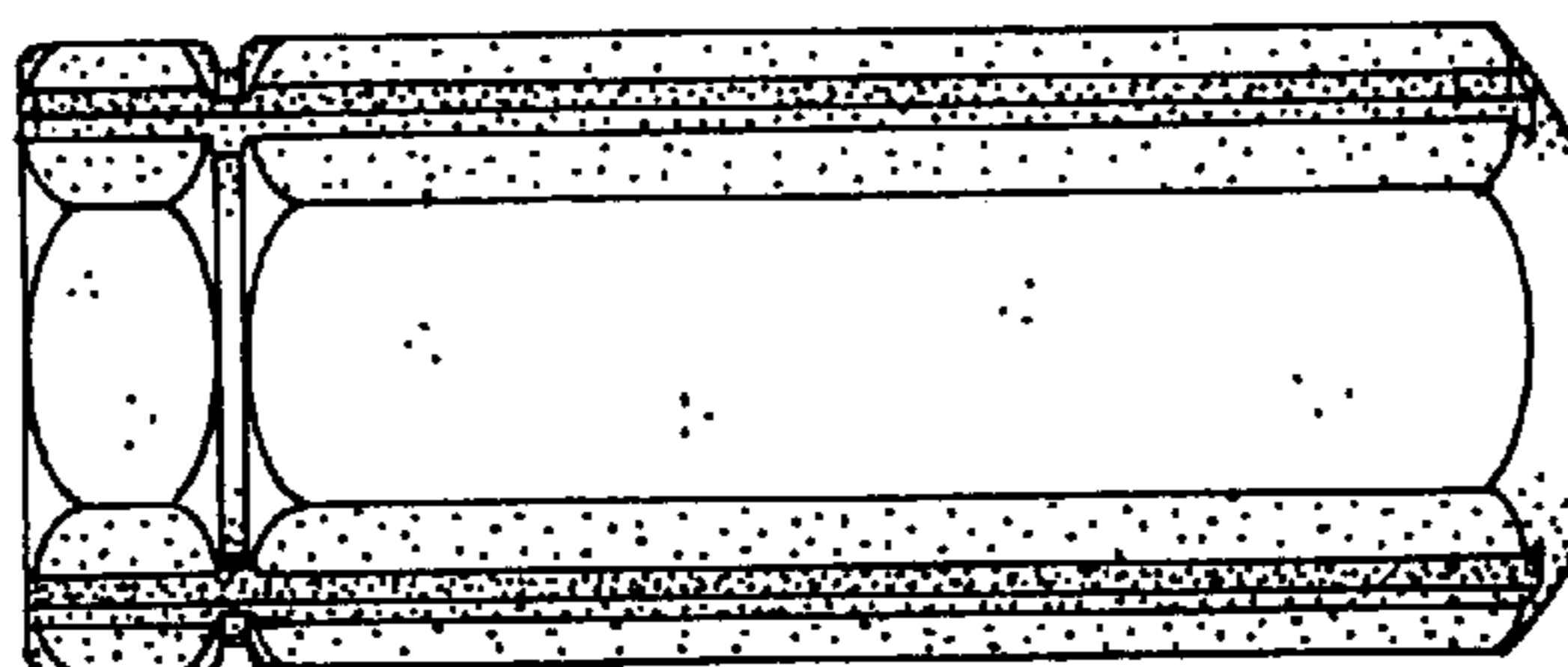
**FIG. 10**



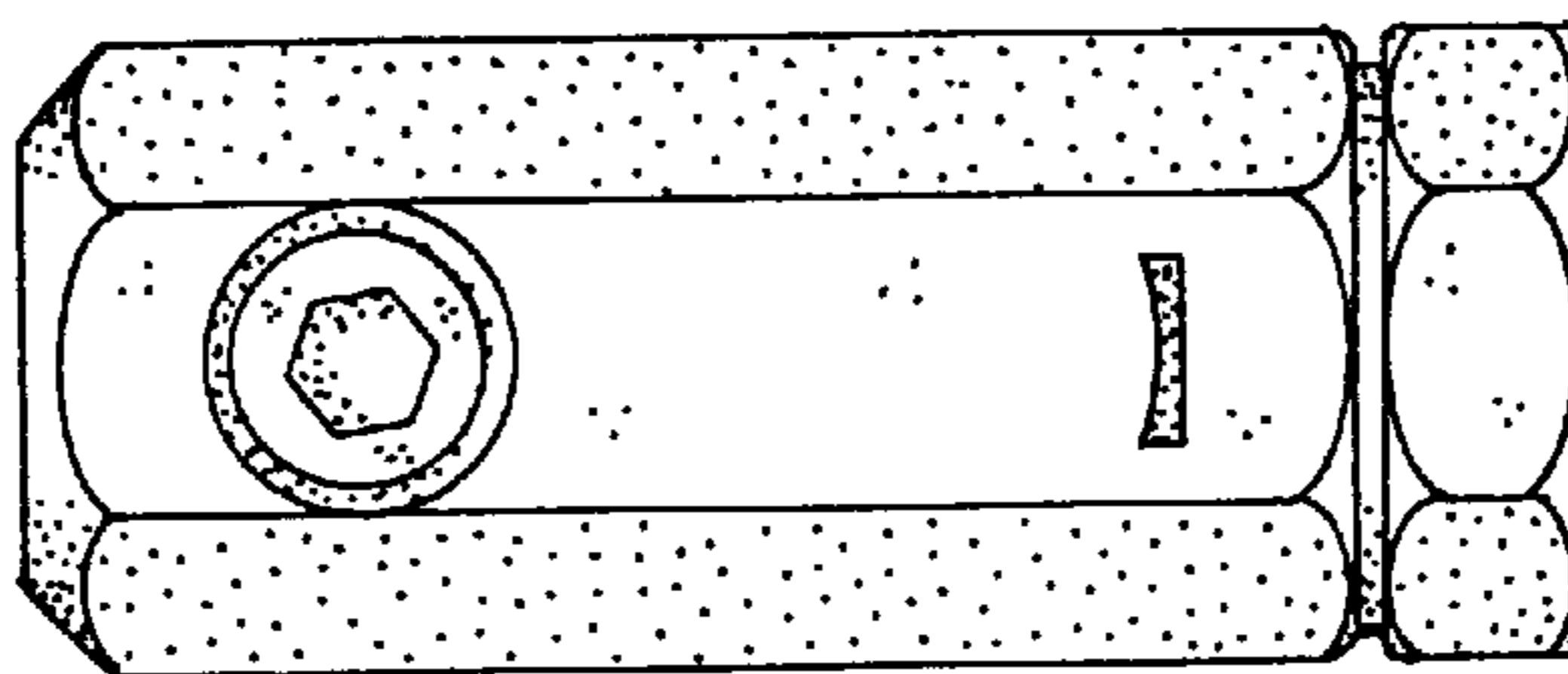
**FIG. 11**



**FIG. 12**



**FIG. 13**



**FIG. 14**