



US00D424011S

United States Patent [19]
Morris

[11] **Patent Number: Des. 424,011**
[45] **Date of Patent: ** May 2, 2000**

[54] **SNOWMOBILE TRAILER CAP**
[75] Inventor: **Thomas Roland Morris**, Pefferlaw,
Canada
[73] Assignee: **Team Tomco Inc.**, Pefferlaw, Canada
[**] Term: **14 Years**
[21] Appl. No.: **29/108,544**
[22] Filed: **Jul. 30, 1999**
[51] **LOC (7) Cl.** **12-16**
[52] **U.S. Cl.** **D12/401; D12/7**
[58] **Field of Search** D12/6-11, 401,
D12/412-413, 404-406, 102; 296/181-183,
100.02, 104, 95.1, 99.1, 37.7, 37.1, 136;
244/188.1; 180/182; 410/2; 224/309-314,
320-323; 150/166-167, 154

D. 269,667 7/1983 Taylor D12/406
D. 317,429 6/1991 Seaver D12/401
D. 326,634 6/1992 Seaver D12/406
D. 336,875 6/1993 Cox D12/406
D. 367,248 2/1996 Christensen .
D. 386,144 11/1997 Dedeaux et al. D12/401
3,721,467 3/1973 Kerr 296/183
5,681,074 10/1997 Christensen .

Primary Examiner—Doris V. Coles
Assistant Examiner—Stacia Cadmus
Attorney, Agent, or Firm—Barrigar & Moss

[57] **CLAIM**

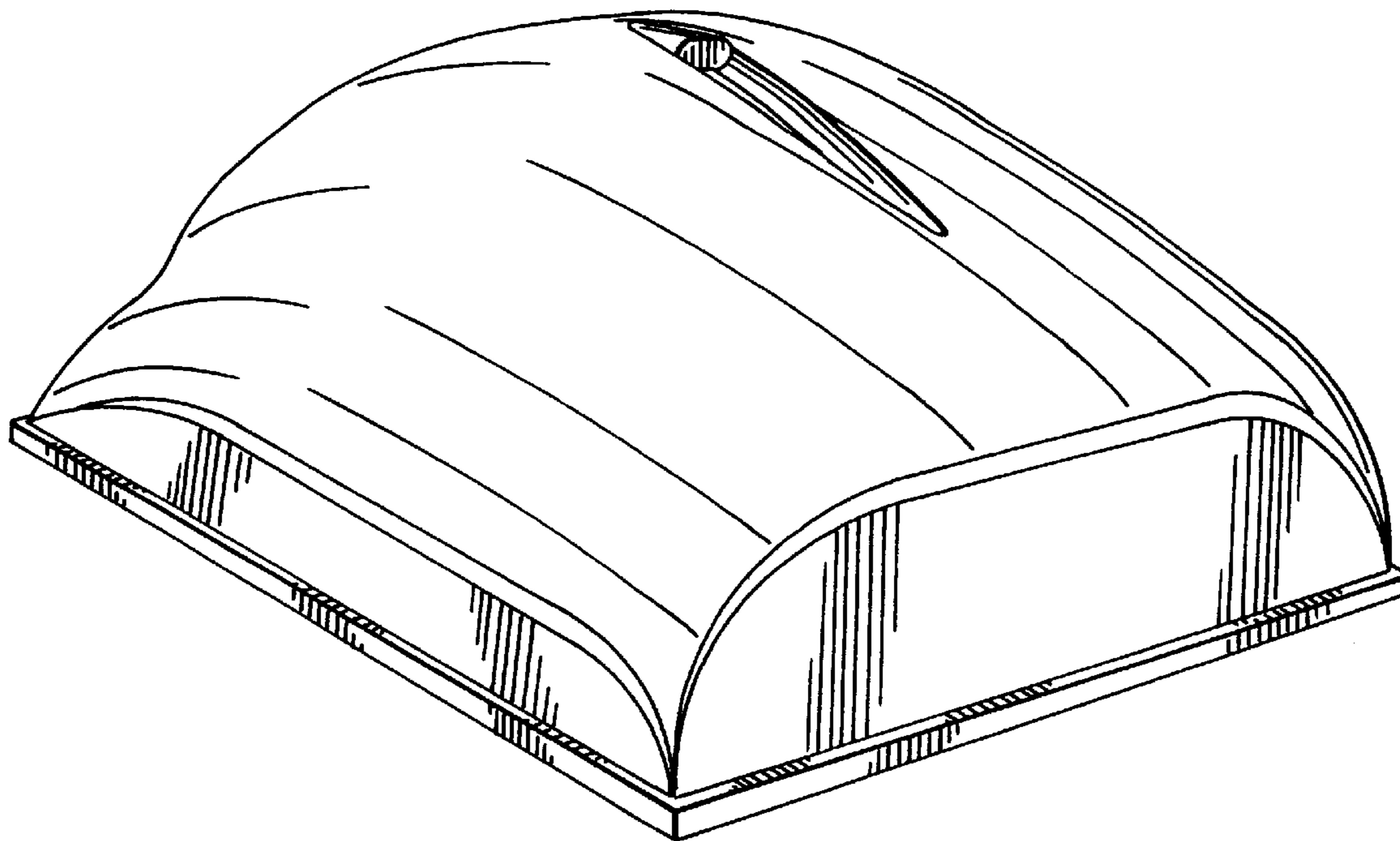
The ornamental design for snowmobile trailer cap, as shown and described.

DESCRIPTION

FIG. 1 is a perspective view of the snowmobile trailer cap taken from above showing the rear and right sides of the design;
FIG. 2 is a top view of the design;
FIG. 3 is a right side view of the design, the left side being a mirror image thereof;
FIG. 4 is a front end view of the design; and,
FIG. 5 is a rear end view of the design.

[56] **References Cited**
U.S. PATENT DOCUMENTS
D. 216,784 3/1970 Martinmaas D12/401
D. 220,949 6/1971 Williamson D12/401
D. 224,782 9/1972 Kerr D12/401
D. 243,392 2/1977 Fairthorne D12/412

1 Claim, 2 Drawing Sheets



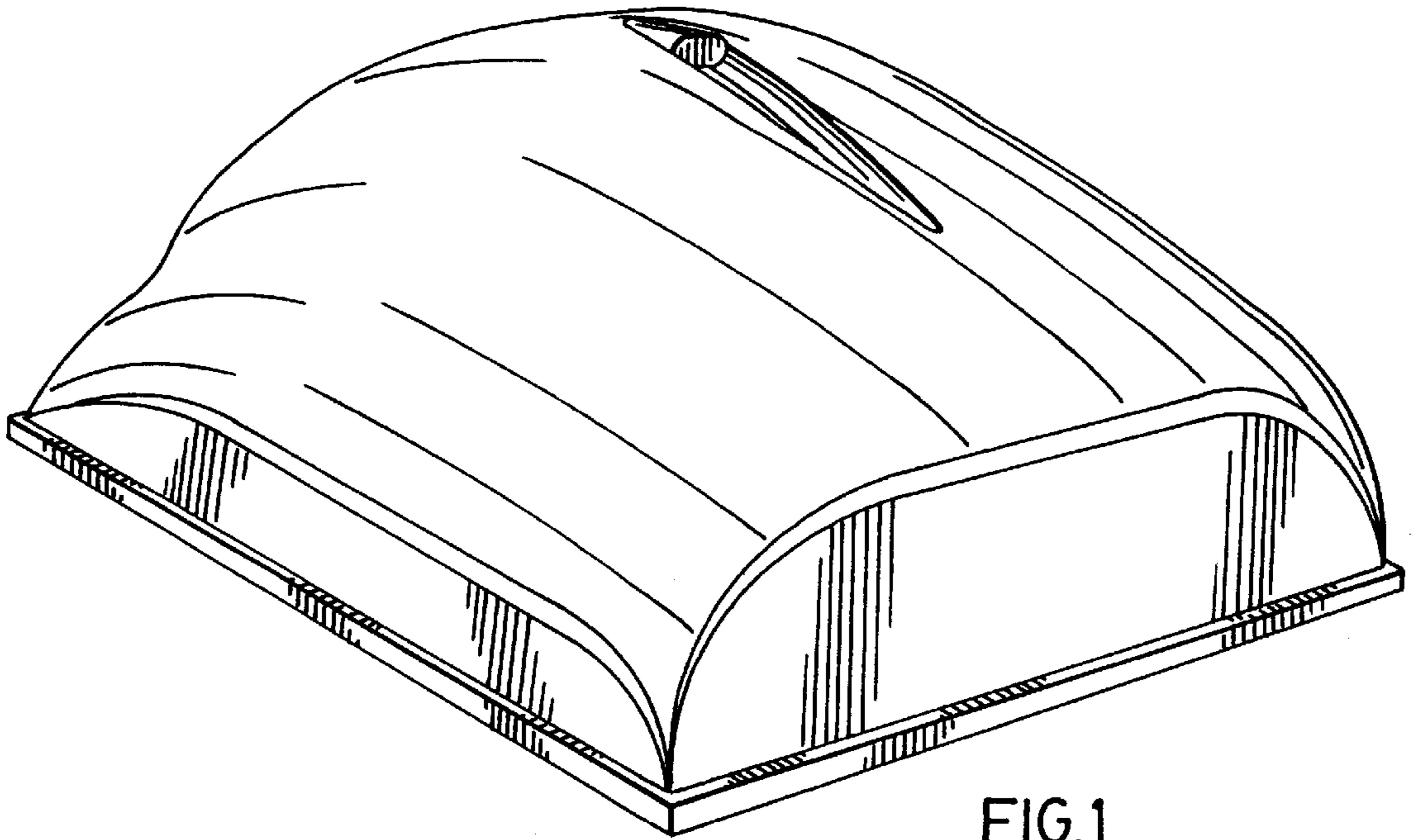


FIG. 1

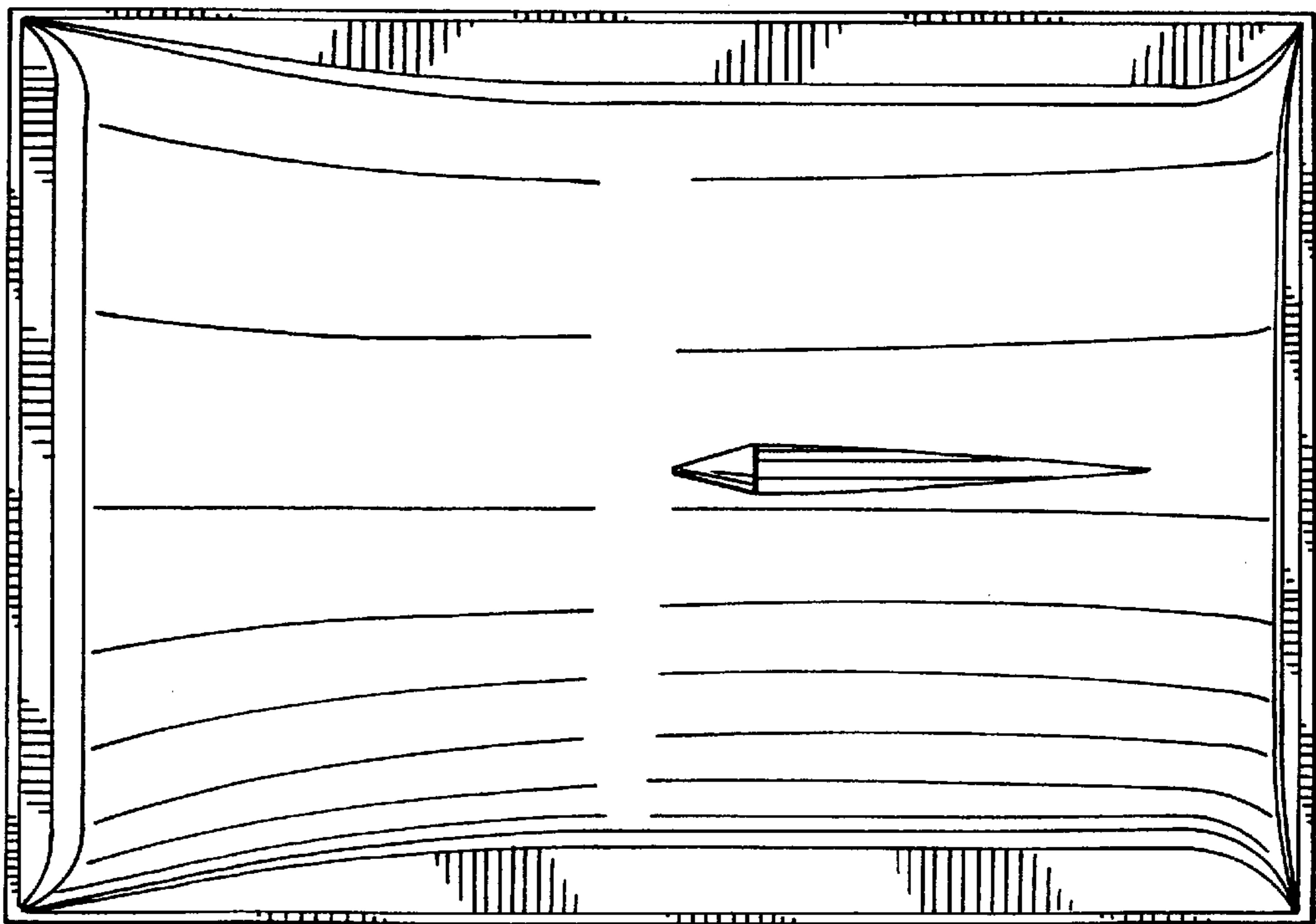


FIG. 2

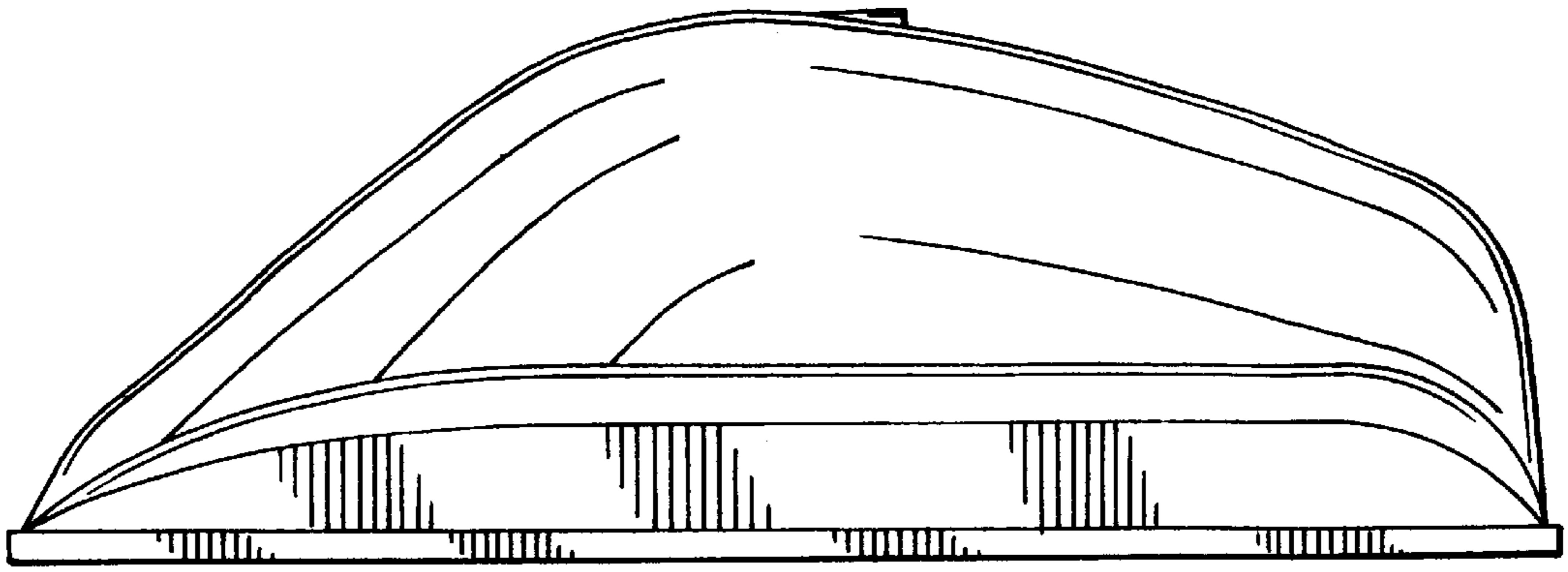


FIG. 3

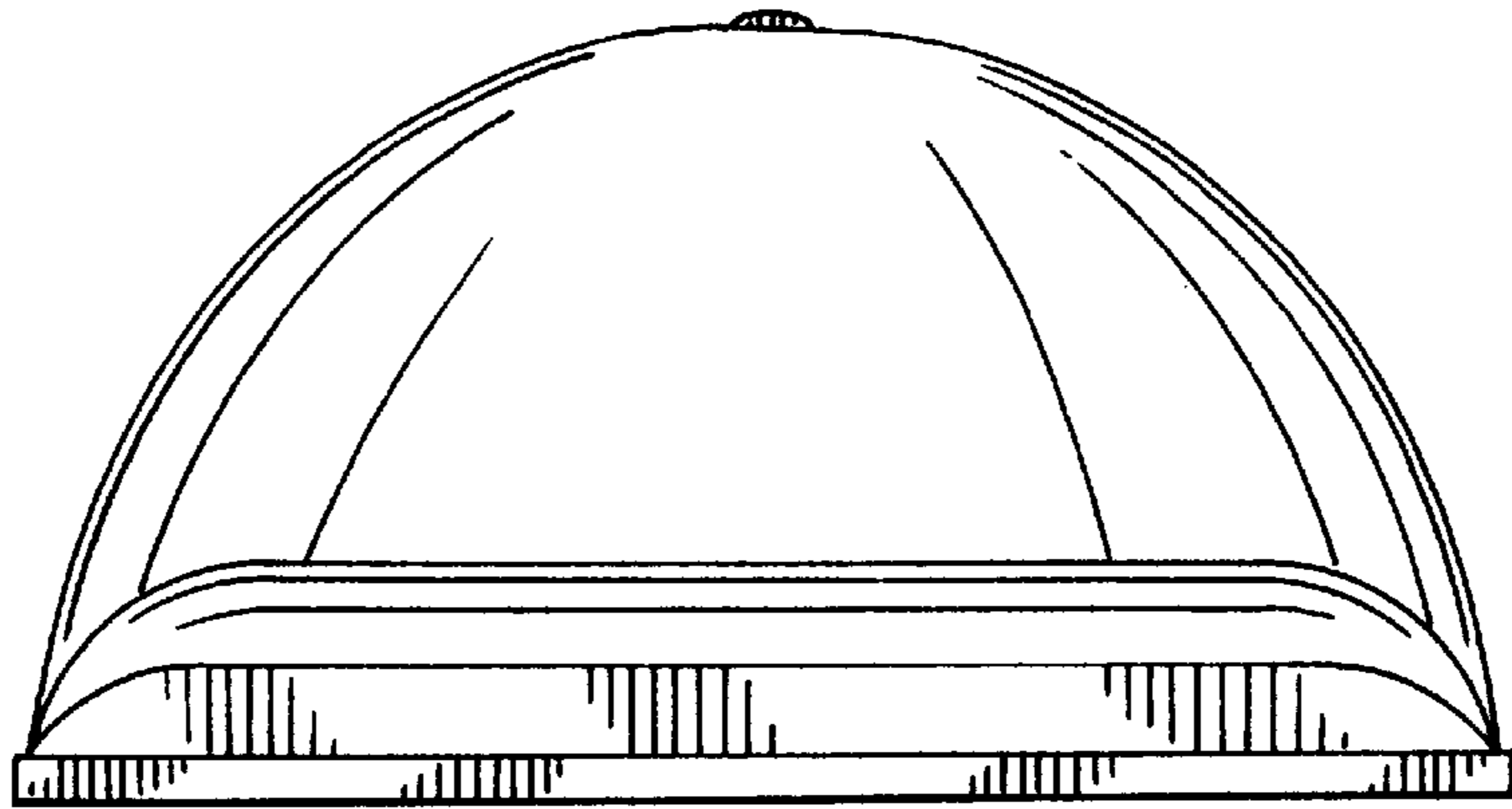


FIG. 4

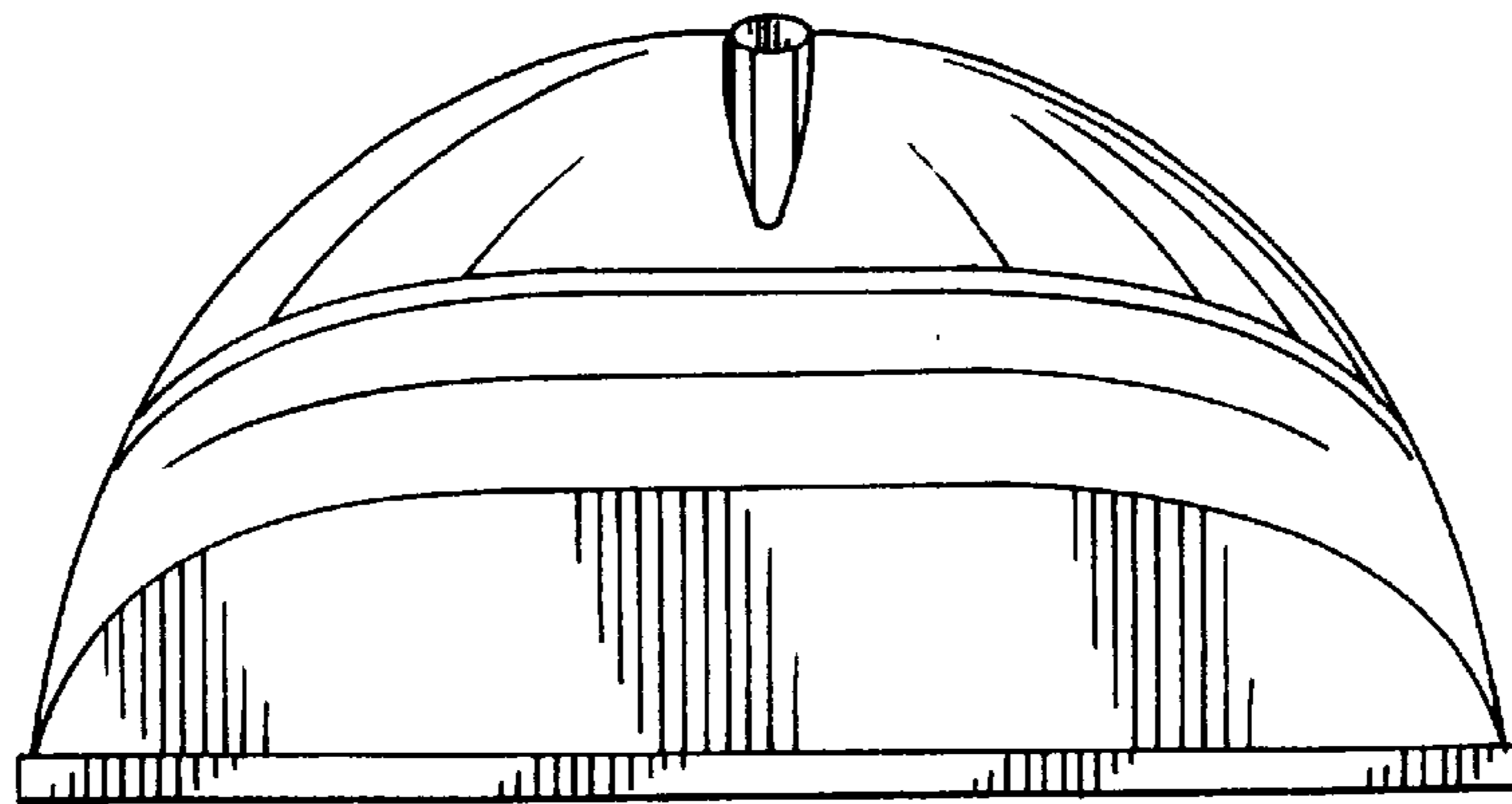


FIG. 5