



US00D424003S

United States Patent [19] Steinhagen

[11] Patent Number: **Des. 424,003**

[45] Date of Patent: **** May 2, 2000**

[54] **LICENSE PLATE FRAME**

[75] Inventor: **Thomas Steinhagen**, West Des Moines, Iowa

[73] Assignee: **Cobbs Manufacturing Co.**, Des Moines, Iowa

[**] Term: **14 Years**

[21] Appl. No.: **29/106,946**

[22] Filed: **Jun. 25, 1999**

[51] **LOC (7) Cl.** **12-16**

[52] **U.S. Cl.** **D12/193**

[58] **Field of Search** D12/193; D6/300-303, D6/310-313, 314; 40/200-203, 207-210

[56] **References Cited**

U.S. PATENT DOCUMENTS

- D. 160,496 10/1950 Harmer .
- D. 163,328 5/1951 Rothman .
- D. 245,497 8/1977 Ritch .
- D. 257,341 10/1980 Blaser .
- D. 271,011 10/1983 Bott .
- D. 274,807 7/1984 Stansbury, Jr. et al. .
- D. 279,667 7/1985 Baron .
- D. 281,490 11/1985 Lien .
- D. 285,784 9/1986 Langensiepen .

(List continued on next page.)

OTHER PUBLICATIONS

Cobbs Lifestyle Accessories, Marketing Brochure, Cobbs Manufacturing Company, 1994, p. 18 describing various license plate frames.

Cobbs Lifestyle Accessories, Marketing Brochure, Cobbs Manufacturing Company, 1995, p. 4 and 13 describing various license plate frames.

Cobbs Lifestyle Accessories, Marketing Brochure, Cobbs Manufacturing Company, 1996, p. 18 describing various license plate frames.

Cobbs Lifestyle Accessories, Marketing Brochure, Cobbs Manufacturing Company, 1997, p. 3 and 19 describing various license plate frames.

Cobbs License Plate Frames, Marketing Brochure, Cobbs Manufacturing Company, 1998 pp. 2-9 describing various license plate frames.

Cobbs Performance Accessories, Tricked Out!, Marketing Brochure, Cobbs Manufacturing Company, 1998 p. 8 describing various license frames.

Primary Examiner—Jeffrey Asch
Assistant Examiner—Stacia Sinuik
Attorney, Agent, or Firm—Dick & Harris

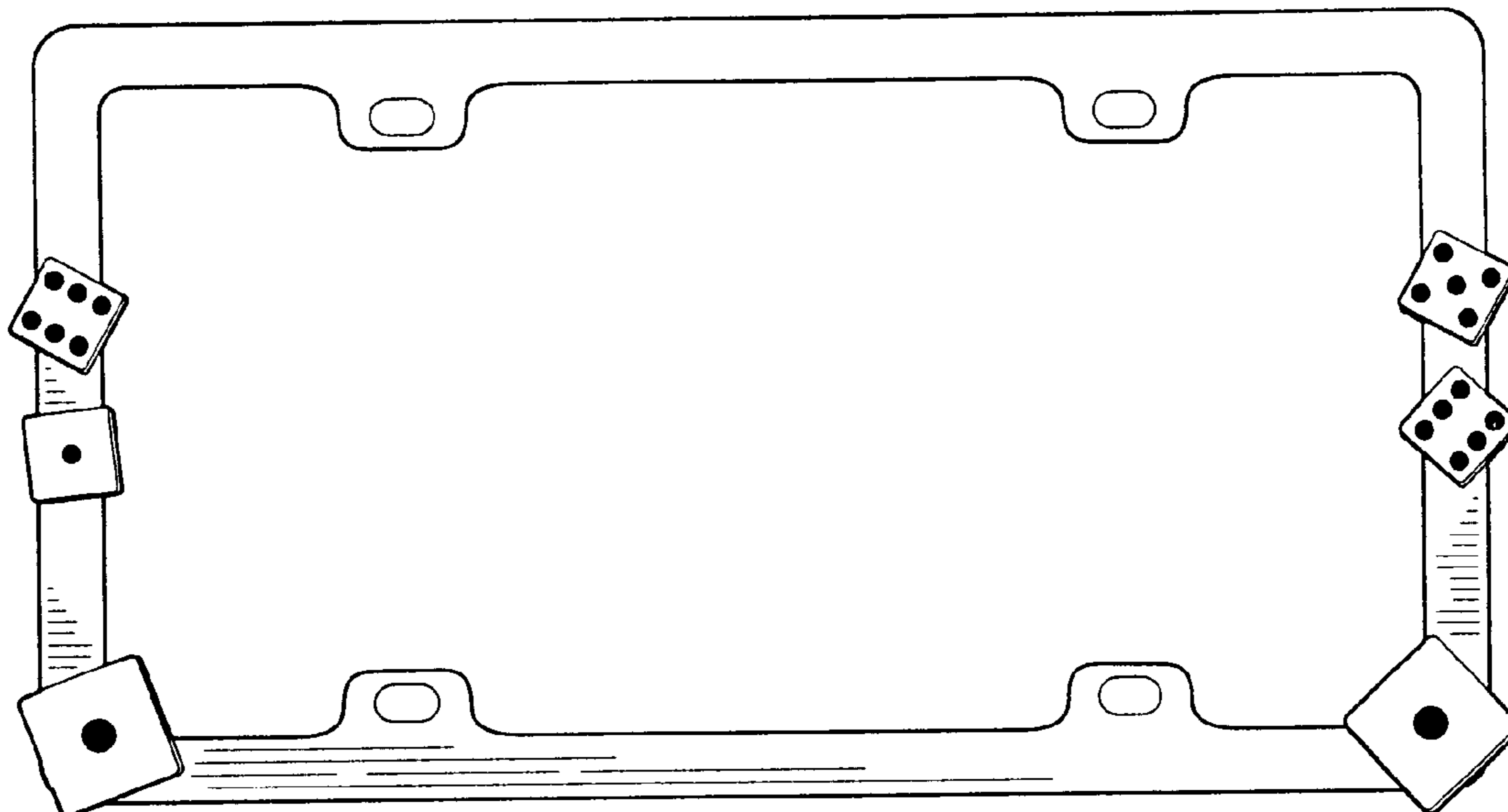
[57] **CLAIM**

The ornamental design for a license plate frame, as shown and described.

DESCRIPTION

FIG. 1 is a front elevational view of the license plate frame showing a new ornamental design therefor;
FIG. 2 is a top plan view thereof;
FIG. 3 is a left side elevational view thereof;
FIG. 4 is a right side elevational view thereof;
FIG. 5 is a bottom plan view thereof;
FIG. 6 is a rear elevational view thereof; and,
FIG. 7 is a perspective view thereof.

1 Claim, 2 Drawing Sheets



U.S. PATENT DOCUMENTS

D. 294,975	3/1988	Lester .	D. 359,261	6/1995	Shusterman .
D. 301,863	6/1989	Chart et al. .	D. 359,262	6/1995	Shusterman .
D. 305,417	1/1990	Corey .	D. 361,971	9/1995	Wang .
D. 310,347	9/1990	Spencer .	D. 365,077	12/1995	Lee .
D. 313,787	1/1991	Williams .	D. 366,236	1/1996	Chu D12/193
D. 318,645	7/1991	Farber .	D. 366,441	1/1996	Wu .
D. 326,079	5/1992	Schmitz et al. .	D. 367,459	2/1996	Spencer .
D. 327,047	6/1992	Corey .	D. 368,692	4/1996	Pribble, Sr. et al. .
D. 330,004	10/1992	Spencer .	D. 368,693	4/1996	Spencer .
D. 331,217	11/1992	Spencer .	D. 370,450	6/1996	Doan .
D. 331,903	12/1992	Lan .	D. 376,342	12/1996	Spencer .
D. 332,247	1/1993	Wilson .	D. 377,639	1/1997	Kheyfets .
D. 333,119	1/1993	Russell .	D. 377,776	2/1997	Kheyfets .
D. 335,117	4/1993	Spencer .	D. 377,926	2/1997	Kheyfets .
D. 335,858	5/1993	Traeger .	D. 378,998	4/1997	Lake .
D. 342,929	1/1994	Spencer .	D. 379,450	5/1997	Clark et al. .
D. 345,541	3/1994	Schmitz .	D. 380,429	7/1997	Clark et al. .
D. 346,578	5/1994	Corey .	D. 381,003	7/1997	Chiou .
D. 347,416	5/1994	Hu .	D. 382,240	8/1997	Francis .
D. 348,037	6/1994	Hu .	D. 383,720	9/1997	Spencer .
D. 348,038	6/1994	Hu .	D. 384,627	10/1997	Clark et al. .
D. 348,643	7/1994	Nagata .	D. 384,628	10/1997	Lake .
D. 348,865	7/1994	Nagato .	D. 385,244	10/1997	Spencer .
D. 349,480	8/1994	Leu .	D. 399,466	10/1998	Thomas D12/193
D. 352,022	11/1994	Liu .	D. 412,147	7/1999	Steinhagen D12/193
D. 358,359	5/1995	Shusterman .	4,011,675	3/1977	Herring .

Fig 1

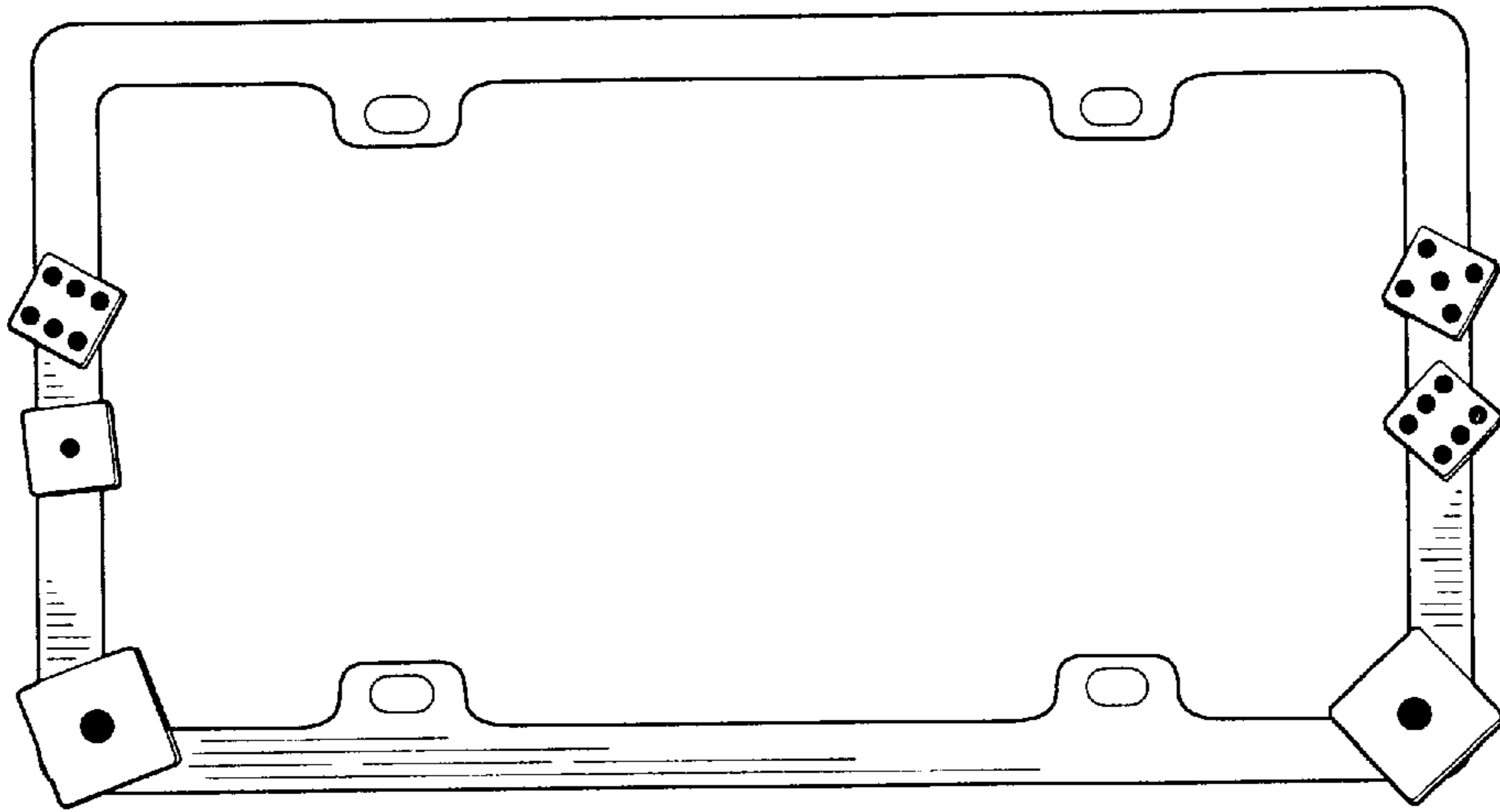


Fig 2

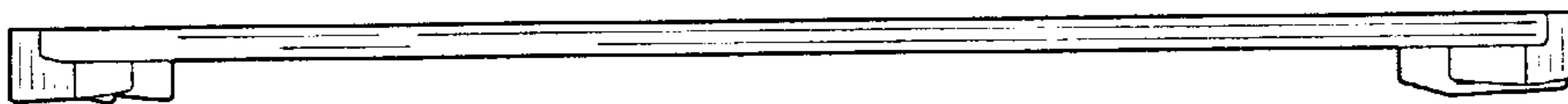


Fig 3



Fig 4



Fig 5

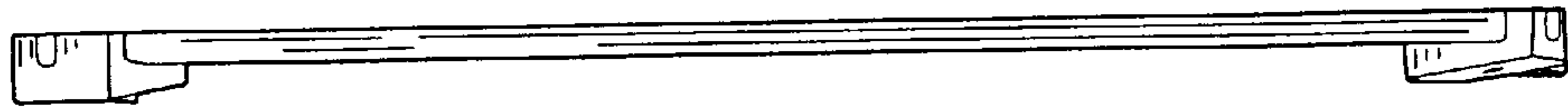


Fig 6

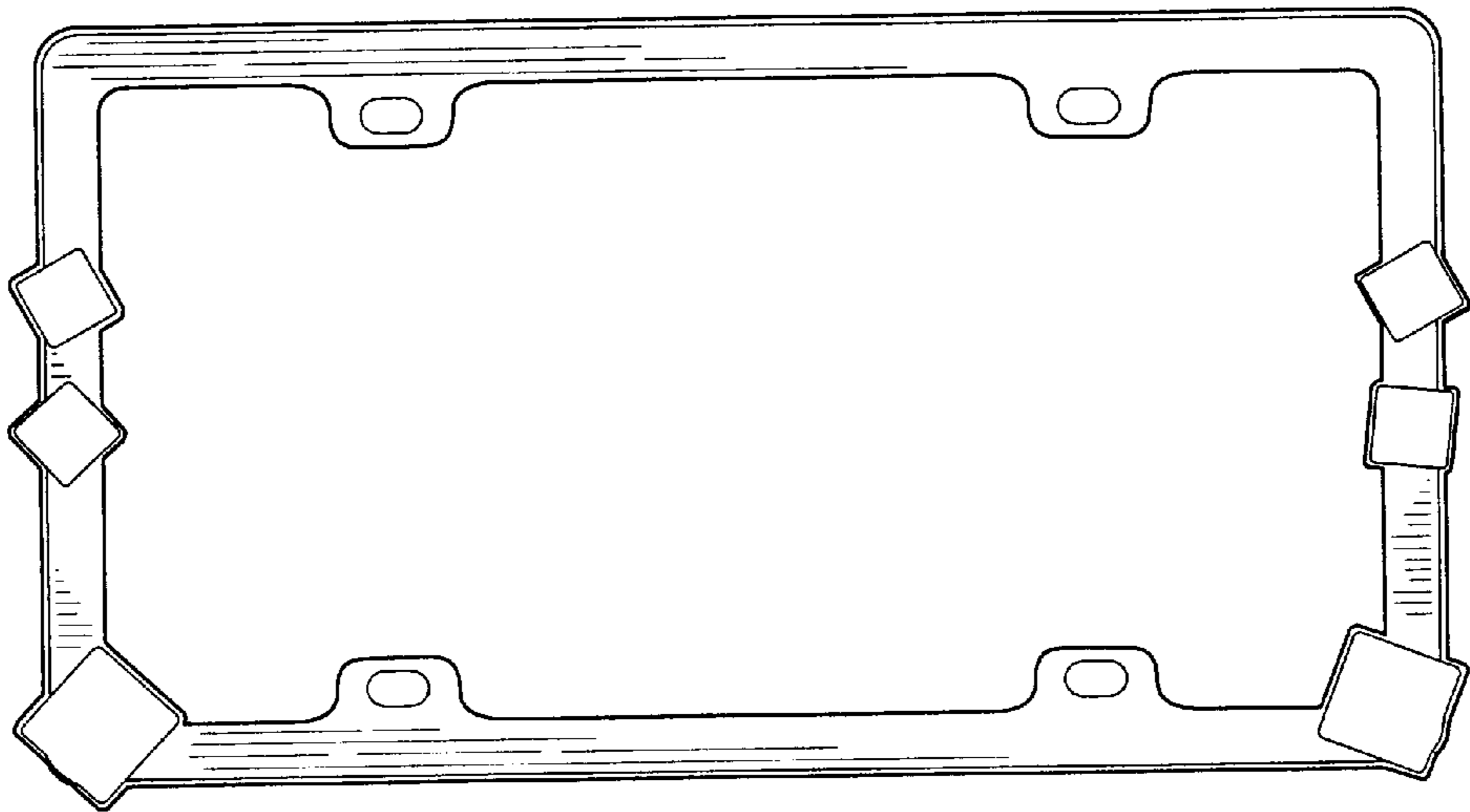


Fig 7

