



US00D424000S

United States Patent [19]

An et al.

[11] Patent Number: **Des. 424,000**

[45] Date of Patent: **** May 2, 2000**

[54] **STEERING WHEEL ASSEMBLY**

D. 397,068 8/1998 Cattaneo D12/176
D. 406,805 3/1999 Sacco et al. D12/176

[75] Inventors: **Bin An**, Woodinville; **Michael R. Groesch**, Redmond; **Jonathan A. Hayes**, Seattle, all of Wash.

Primary Examiner—Melody N. Brown
Attorney, Agent, or Firm—Banner & Witcoff, Ltd.

[73] Assignee: **Microsoft Corporation**, Redmond, Wash.

[57] **CLAIM**

The ornamental design for a steering wheel assembly, as shown and described.

[**] Term: **14 Years**

DESCRIPTION

[21] Appl. No.: **29/090,080**

FIG. 1 is a perspective view of a steering wheel assembly showing our new design;
FIG. 2 is a rear elevational view thereof;
FIG. 3 is a front elevational view thereof;
FIG. 4 is a side elevational view of one side thereof;
FIG. 5 is a side elevational view of the other side thereof;
FIG. 6 is a top plan view thereof; and,
FIG. 7 is a bottom view thereof.

[22] Filed: **Jun. 29, 1998**

The broken line showing of various features is for illustrative purposes only and forms no part of the claimed design.

[51] **LOC (7) Cl.** **12-16**

[52] **U.S. Cl.** **D12/176**

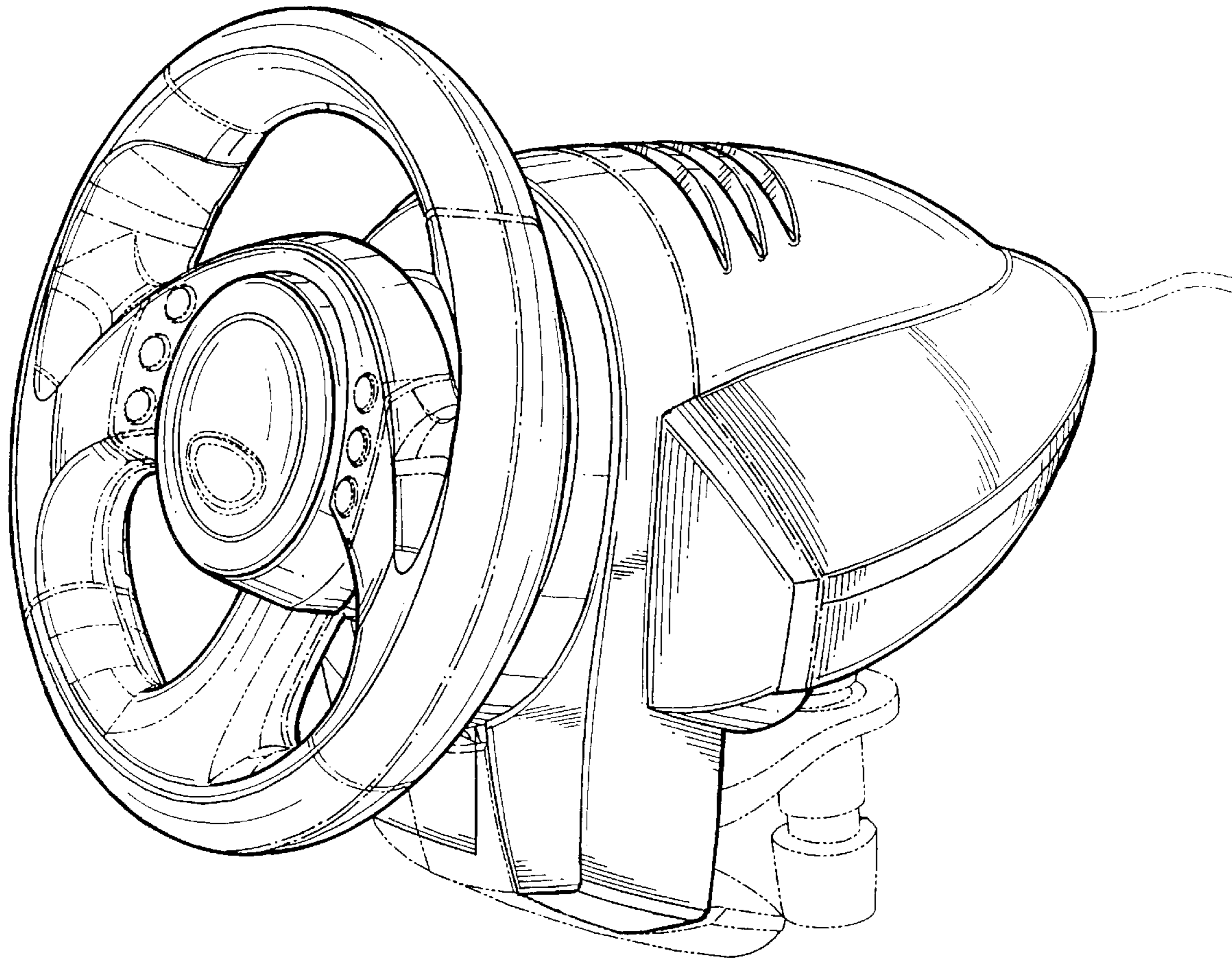
[58] **Field of Search** D12/176; 74/552

[56] **References Cited**

U.S. PATENT DOCUMENTS

D. 355,879 2/1995 Winbald D12/176
D. 392,607 3/1998 Cattaneo D12/176

1 Claim, 7 Drawing Sheets



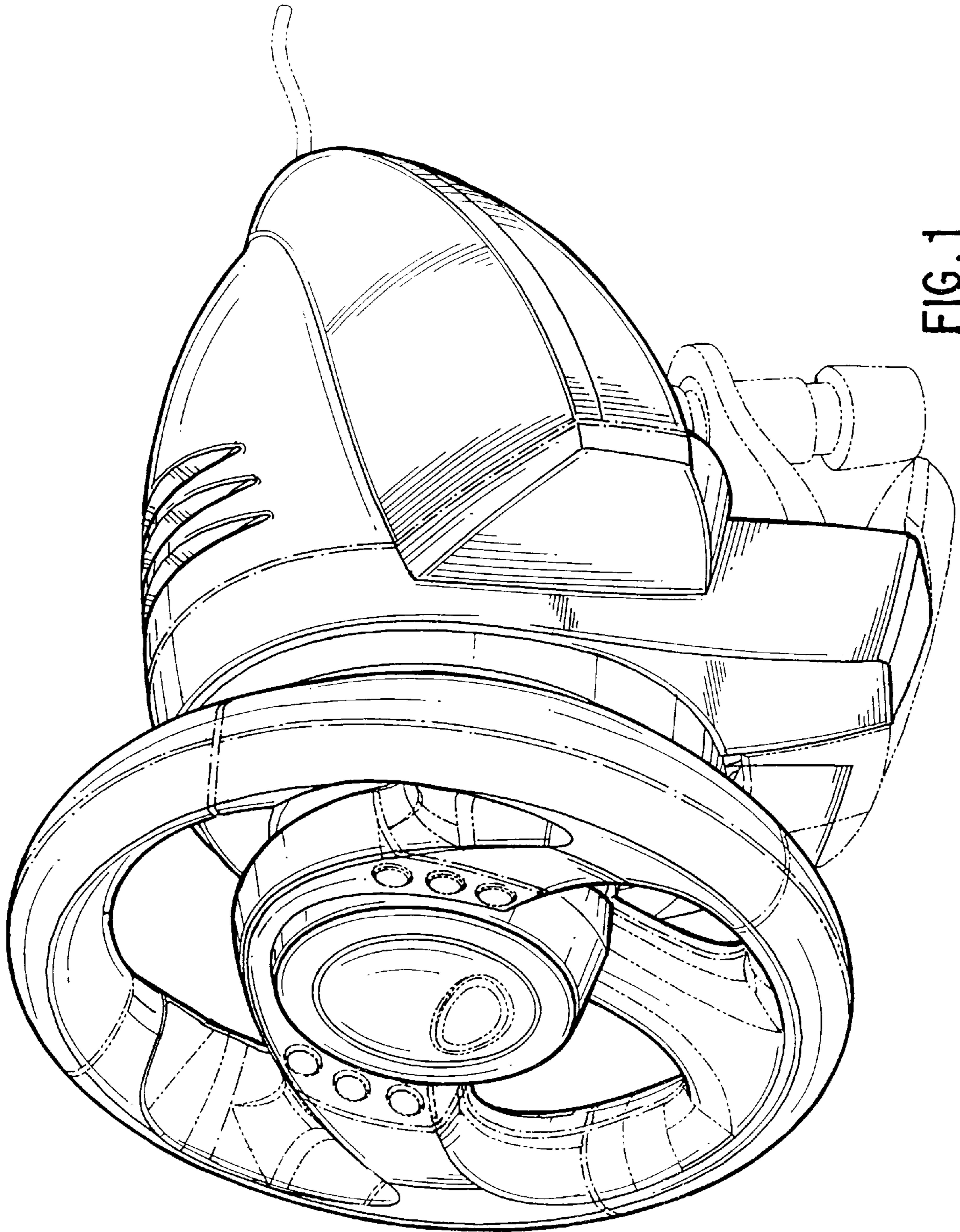


FIG. 1

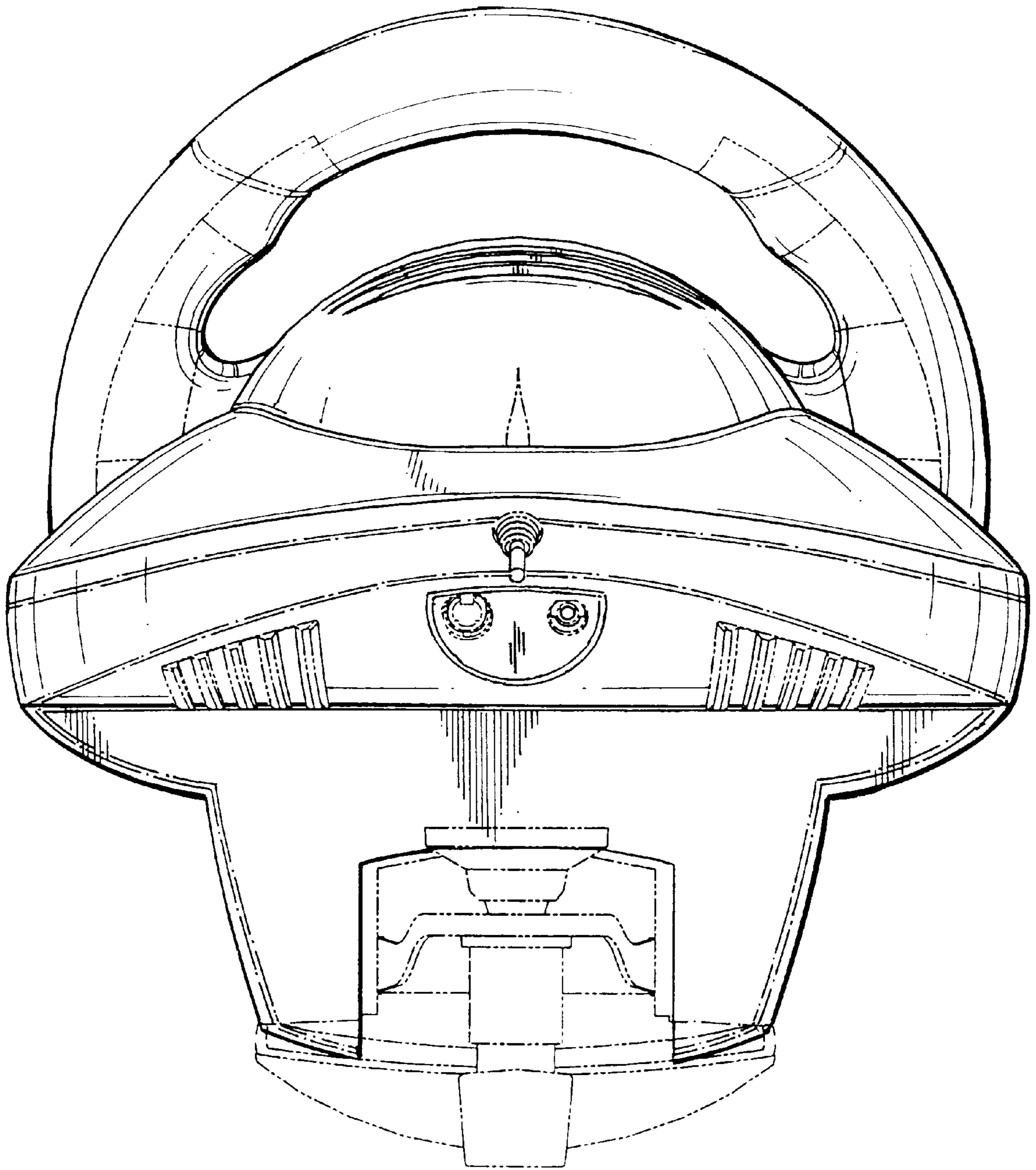


FIG. 2

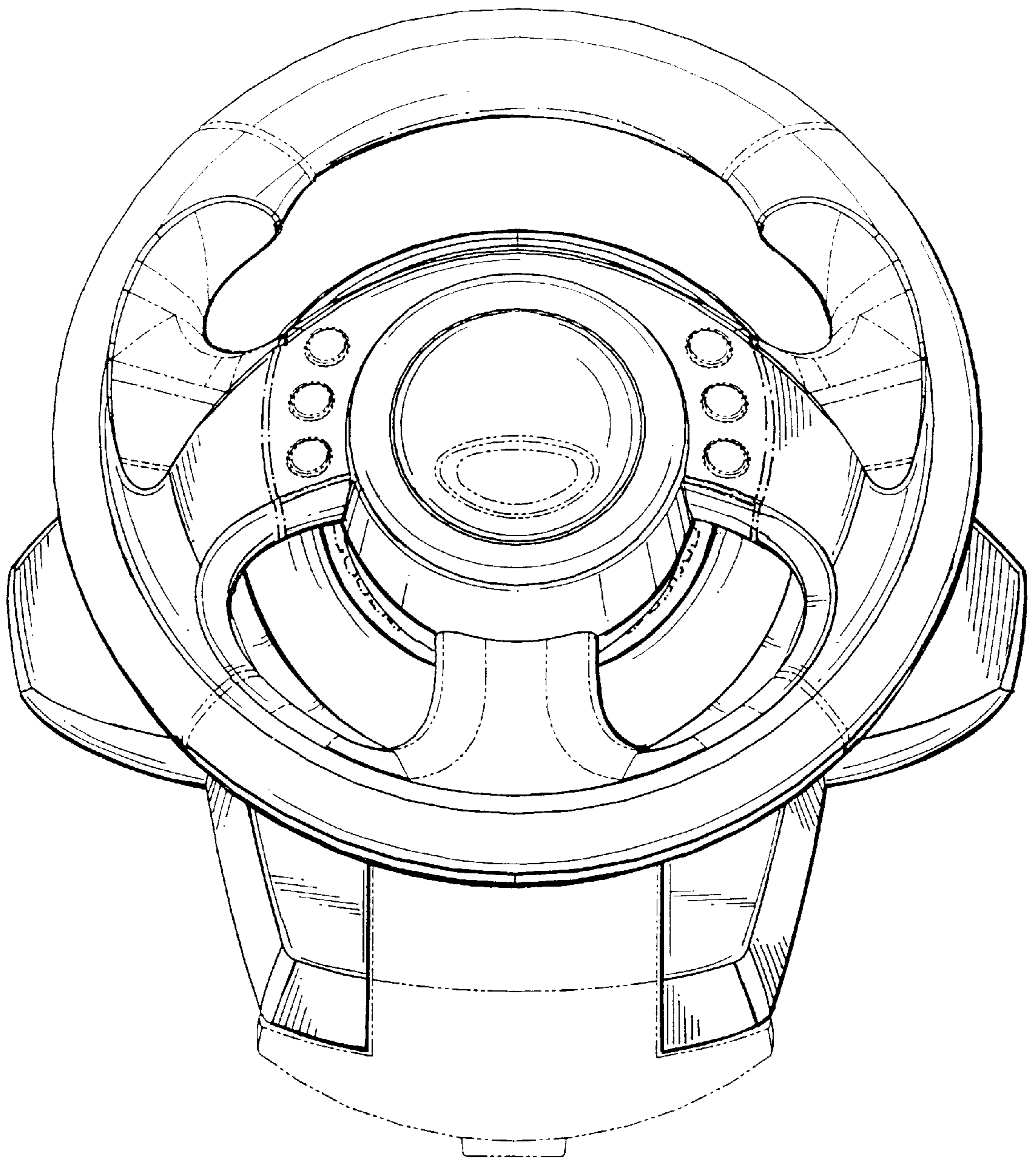


FIG. 3

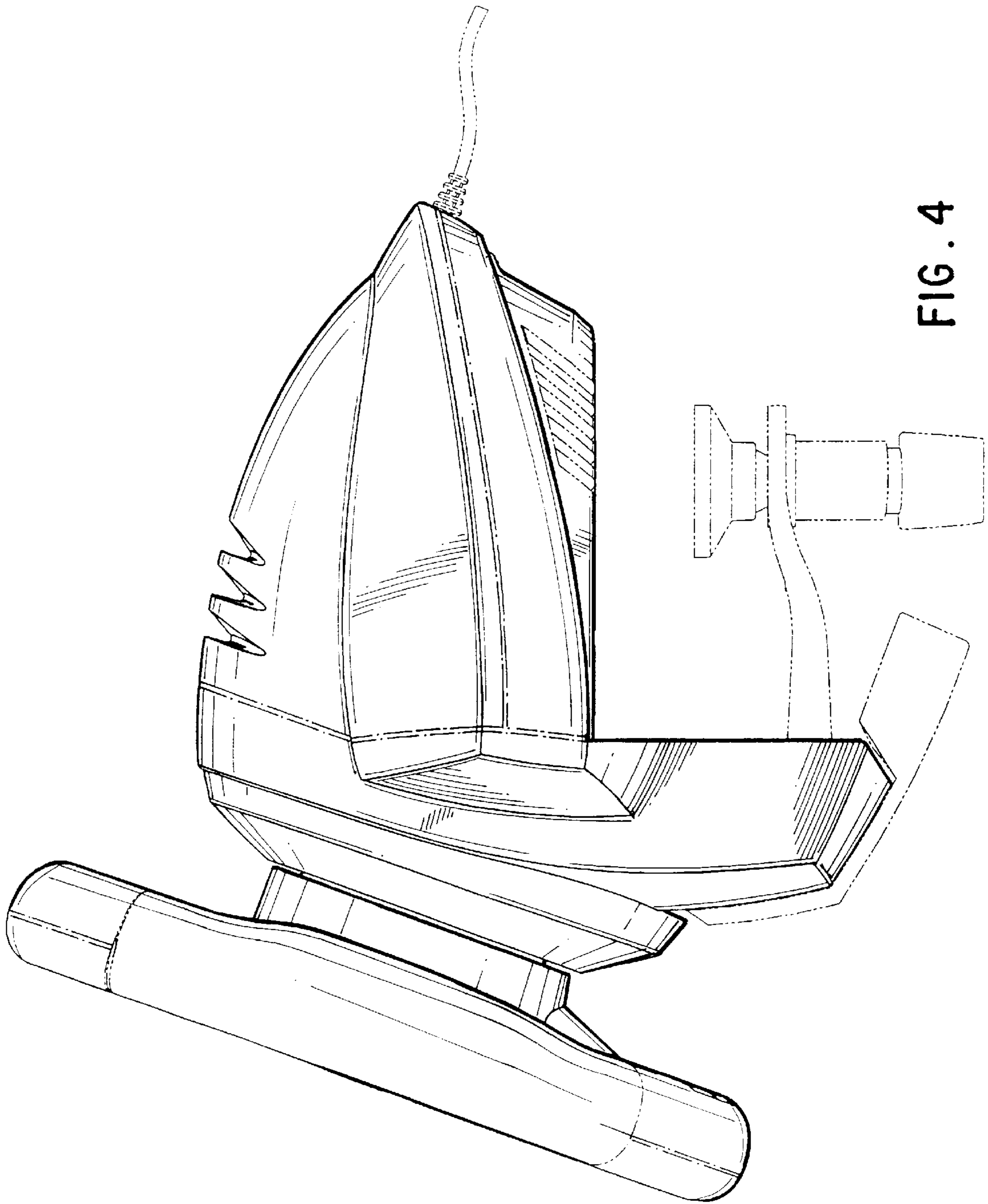


FIG. 4

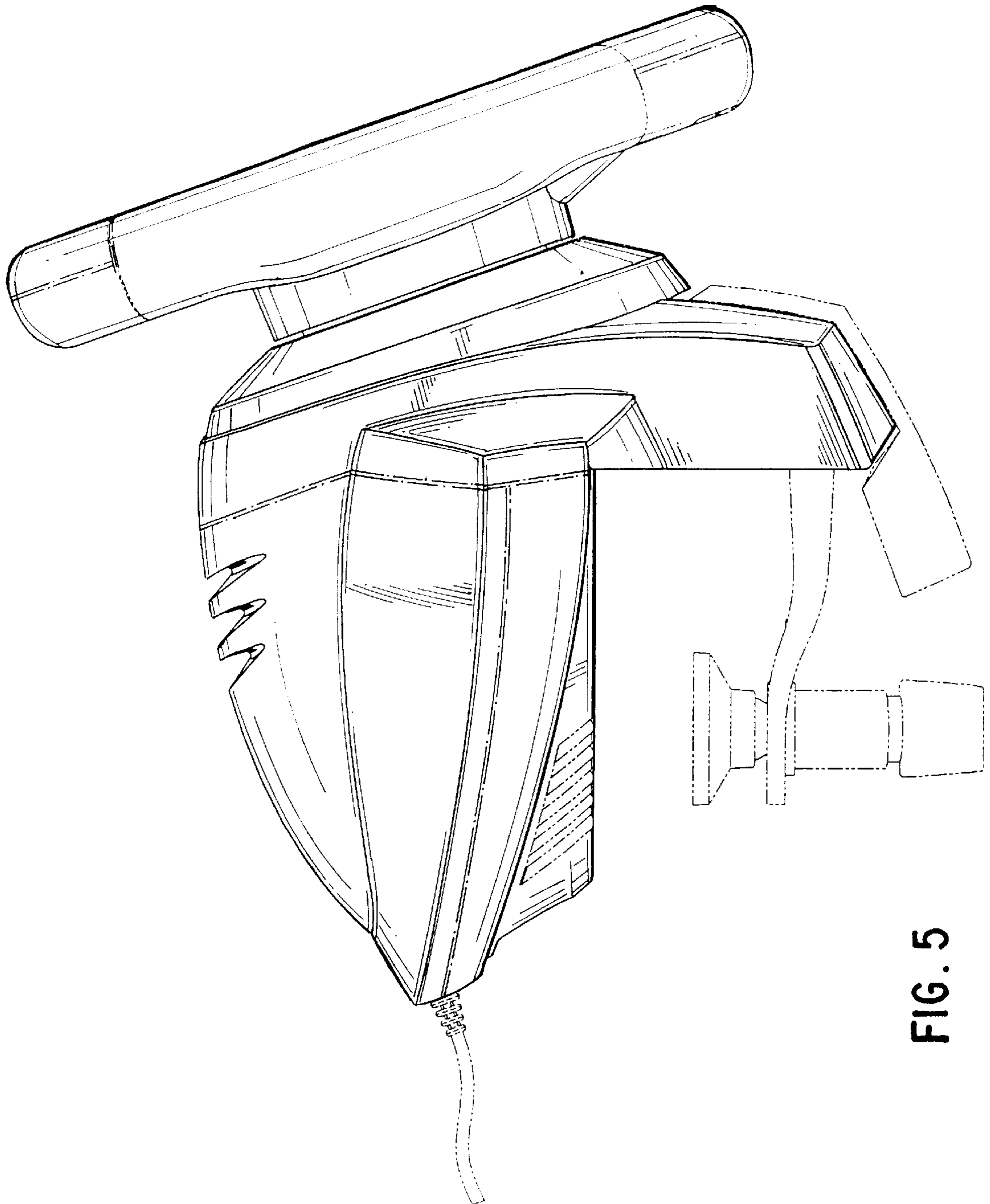


FIG. 5

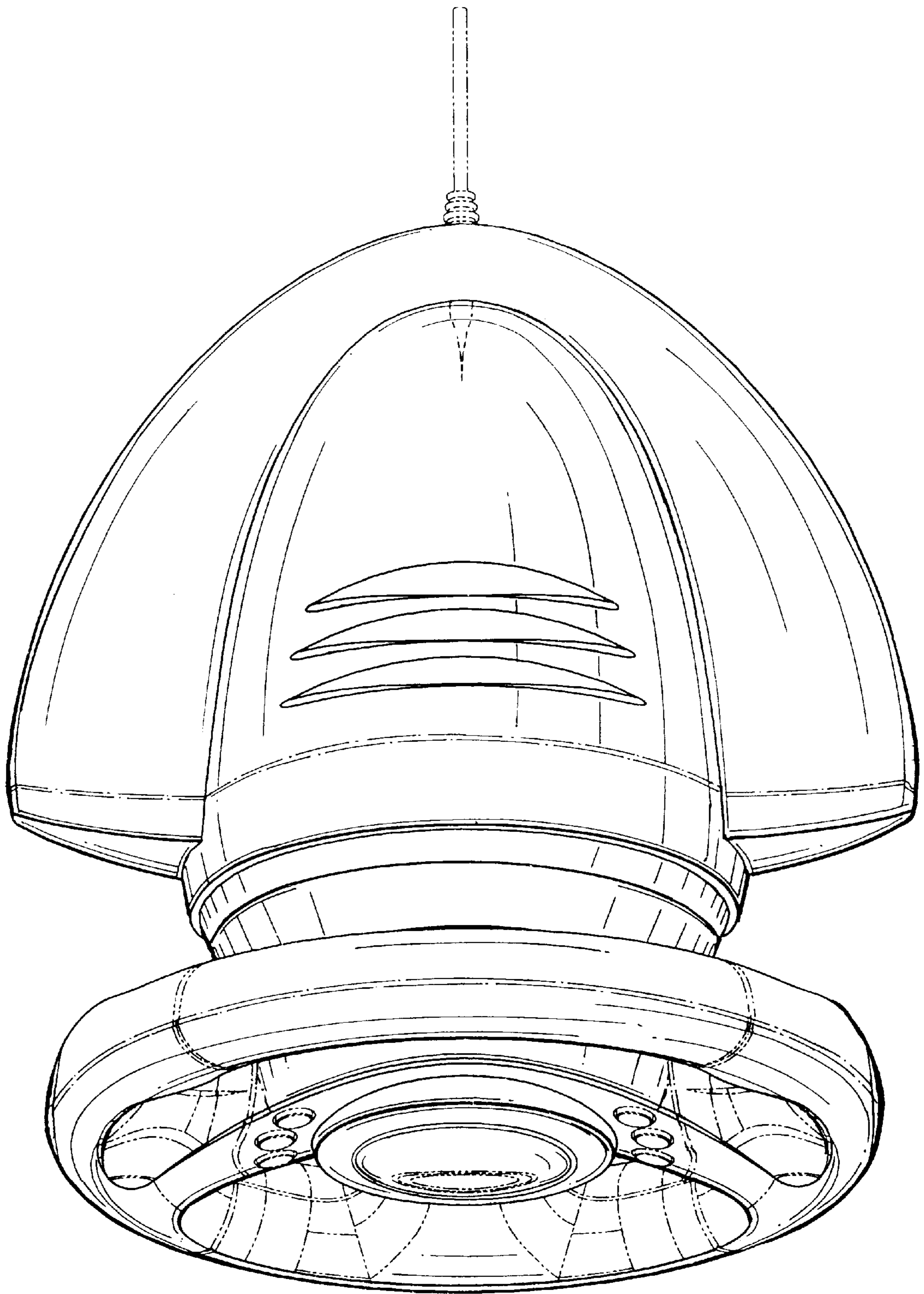


FIG. 6

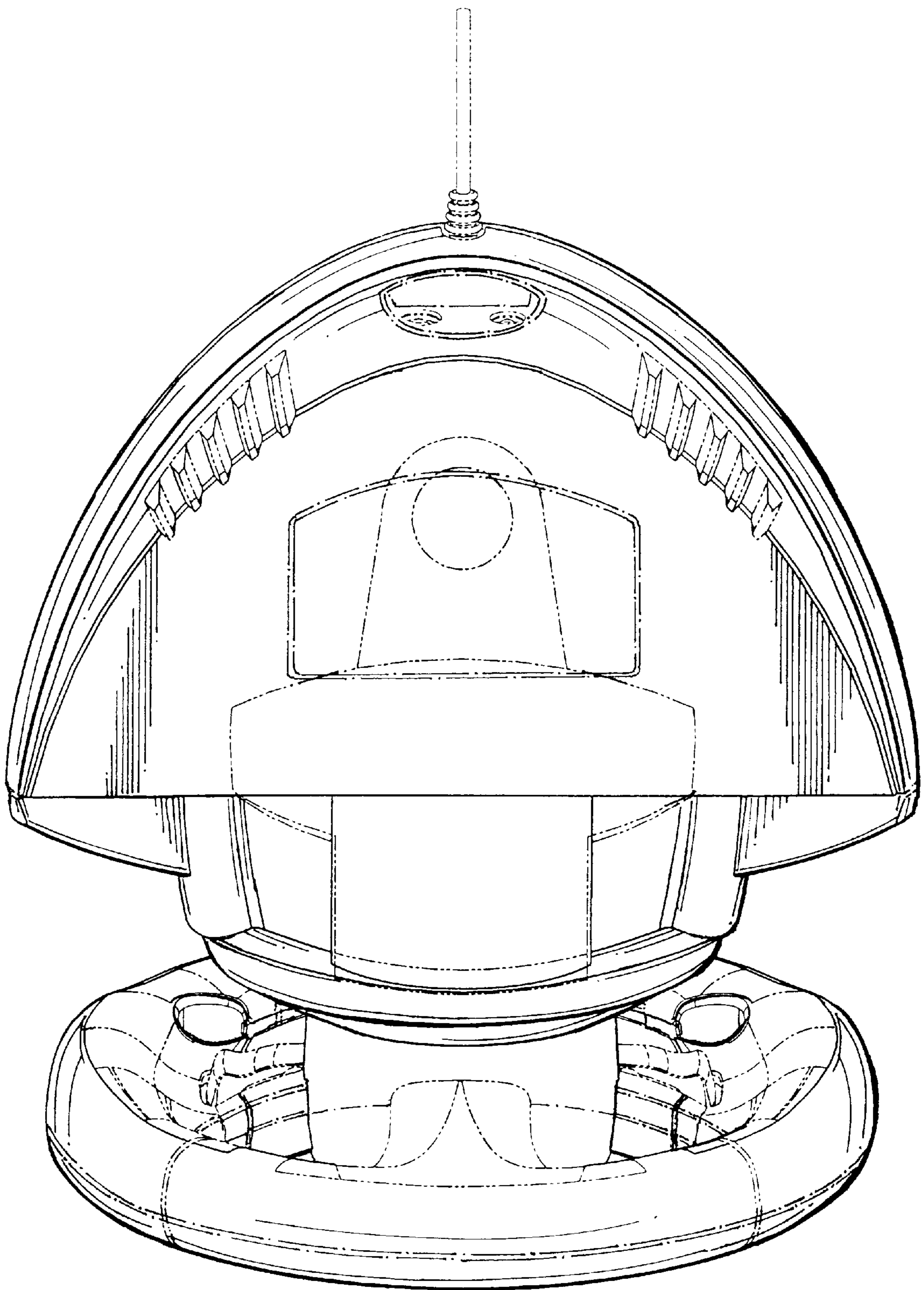


FIG. 7