



US00D423994S

# United States Patent [19] Helwig

[11] **Patent Number: Des. 423,994**

[45] **Date of Patent: \*\* May 2, 2000**

[54] **COUPLER TO JOIN TWO STROLLERS**

[76] Inventor: **Denise J. Helwig**, 11903 W. 66th St.,  
Shawnee, Kans. 66216

[\*\*] Term: **14 Years**

[21] Appl. No.: **29/106,760**

[22] Filed: **Jun. 22, 1999**

[51] **LOC (7) Cl. .... 12-12**

[52] **U.S. Cl. .... D12/133; D8/382; D8/395**

[58] **Field of Search .... D12/128-133;  
D8/382, 383, 394, 395; 24/335, 339; 280/658,  
209, 47.35; 5/639**

[56] **References Cited**

**U.S. PATENT DOCUMENTS**

D. 27,073	5/1897	Frantz .....	D8/382
D. 152,045	12/1948	Vibber .....	D14/3
D. 197,274	1/1964	Murray .....	D14/14
D. 272,887	3/1984	Parton .....	D8/395
D. 296,540	7/1988	Perego .....	D12/129
D. 316,810	5/1991	Blackford .....	D8/382
D. 321,850	11/1991	Mong-Hsing .....	D12/129

D. 357,438	4/1995	Hsia .....	D12/128
1,707,186	3/1929	Chatfield .....	280/658
3,865,401	2/1975	Kingsly .....	280/209
4,288,089	9/1981	Thiessen .....	280/209
4,805,938	2/1989	Redmond et al. ....	280/47.35
5,313,678	5/1994	Redewill .....	8/639
5,361,437	11/1994	Zhu et al. ....	5/639
5,522,121	6/1996	Fraynd et al. ....	24/335
5,653,460	8/1997	Fogarty .....	280/642

*Primary Examiner*—Kay H. Chin  
*Attorney, Agent, or Firm*—Joseph N. Breaux

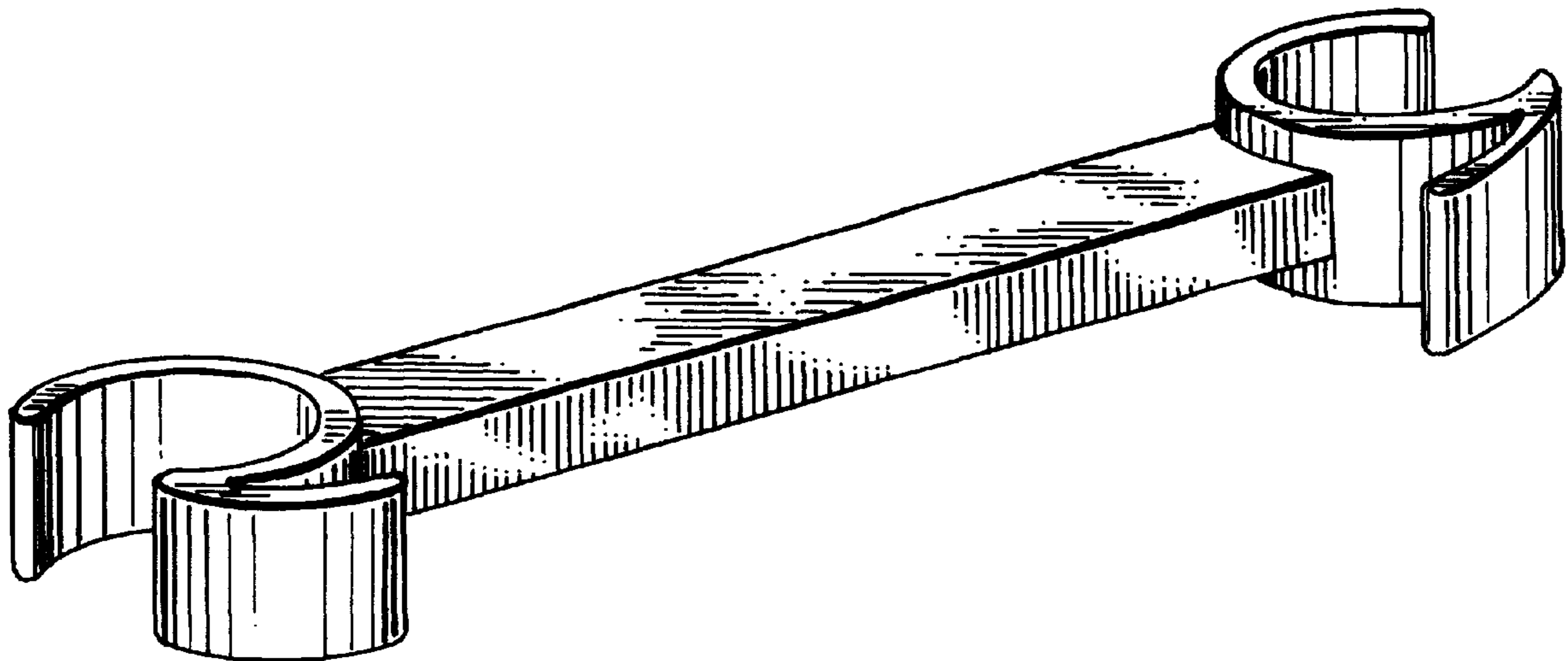
[57] **CLAIM**

The ornamental design for a coupler to join two strollers, as shown and described.

**DESCRIPTION**

FIG. 1 is a top perspective view of a coupler to join two strollers showing my new design; FIG. 2 is a top plan view thereof; FIG. 3 is a front elevational view thereof; FIG. 4 is a rear elevational view thereof; FIG. 5 is a left side elevational view thereof; and, FIG. 6 is a right side elevational view thereof.

**1 Claim, 1 Drawing Sheet**



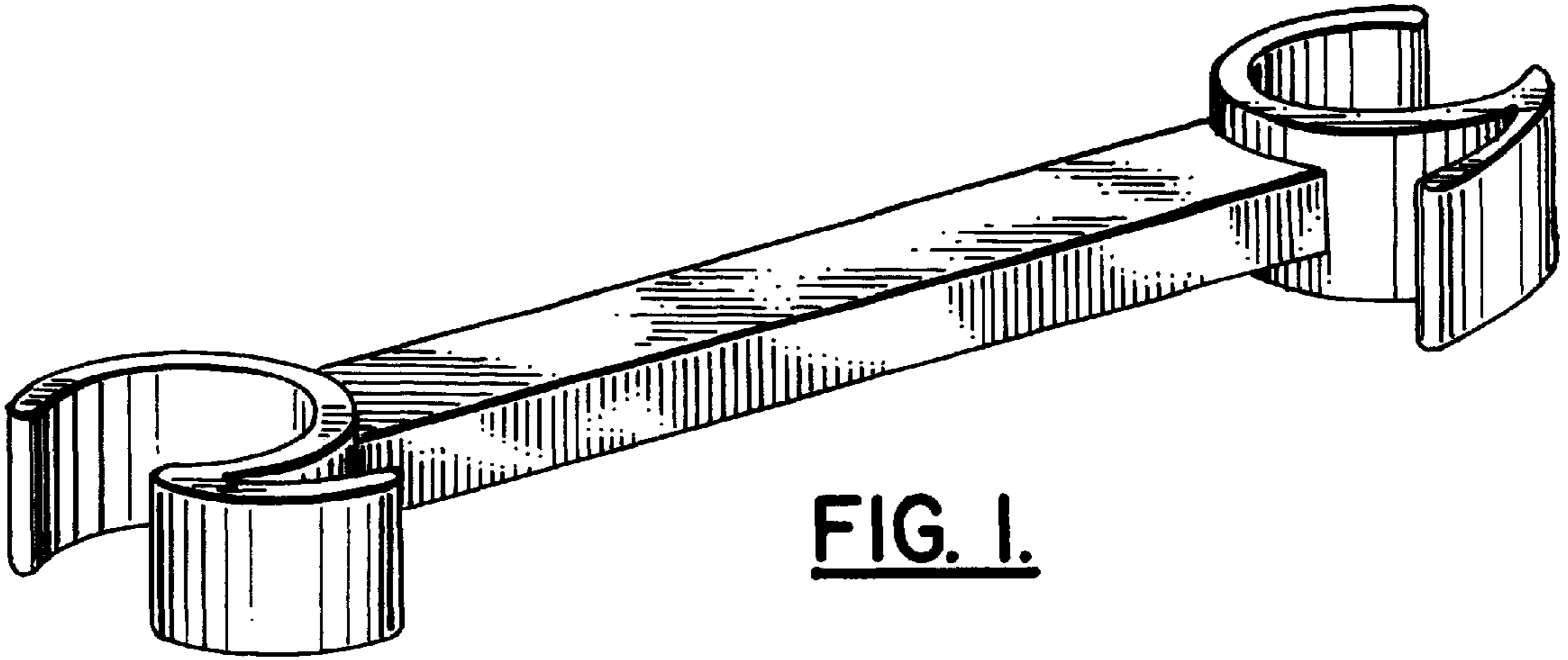


FIG. 1.

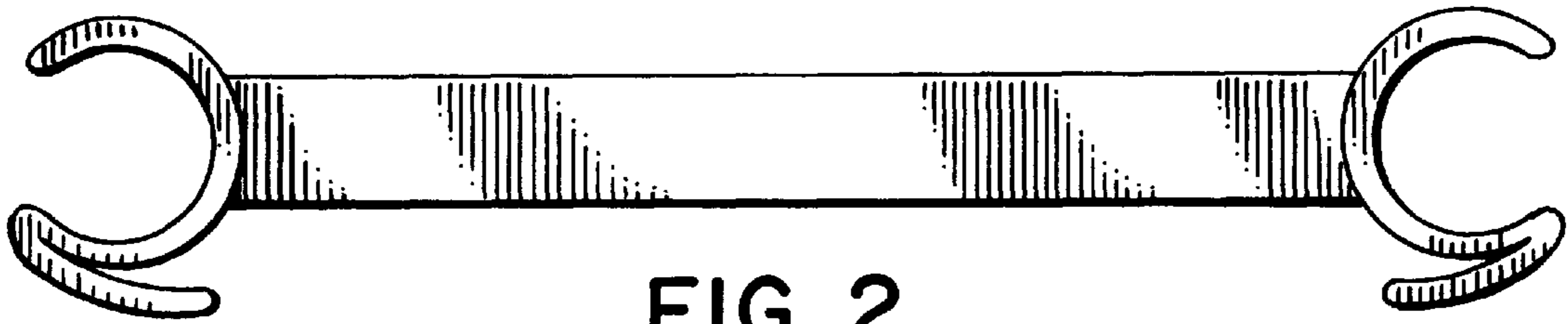


FIG. 2.



FIG. 3.

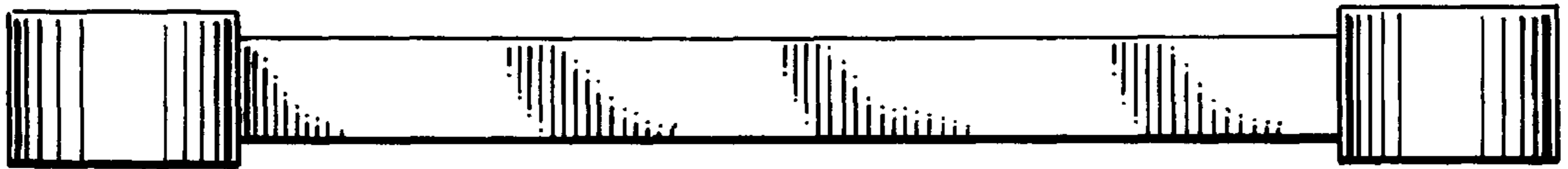


FIG. 4.

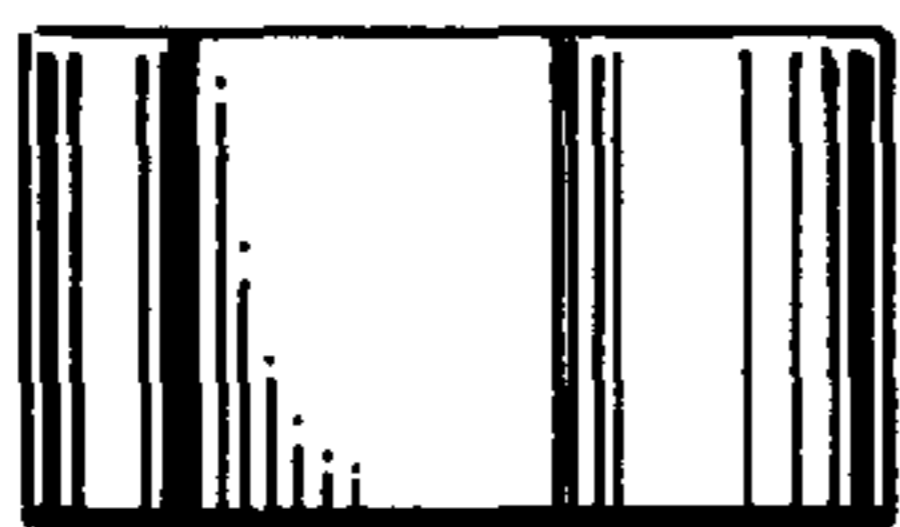


FIG. 5.

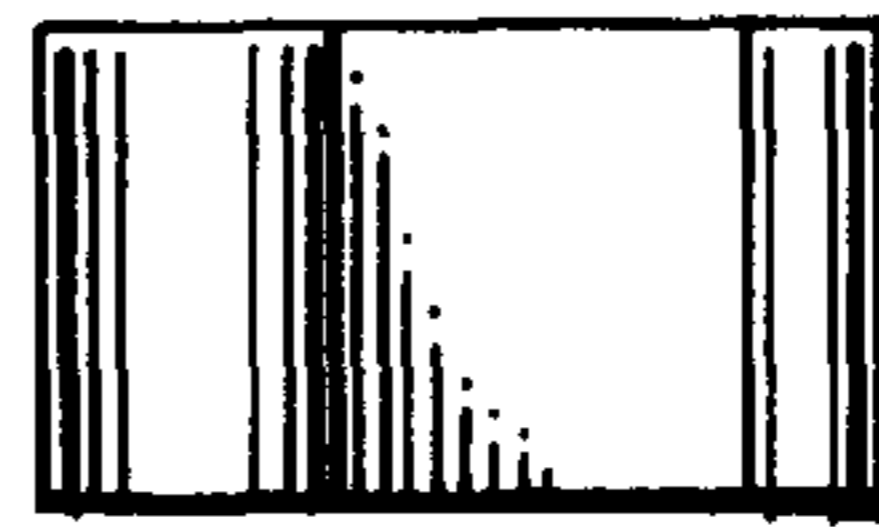


FIG. 6.