



US00D423992S

United States Patent [19]

Adler

[11] Patent Number: **Des. 423,992**

[45] Date of Patent: **** May 2, 2000**

[54] **PROTECTIVE COVER FOR CARRIAGE WHEELS**

3,141,704 7/1964 Guingrich 301/37.42 X
5,014,570 5/1991 Forgerter, Jr. 74/558.5
5,058,914 10/1991 Murcheson 280/433

[75] Inventor: **Anders Adler**, Bro, Sweden

Primary Examiner—Kay H. Chin
Attorney, Agent, or Firm—Blakely Sokoloff Taylor & Zafman

[73] Assignee: **Equipage Leasing Limited**, Gibraltar

[**] Term: **14 Years**

[21] Appl. No.: **29/088,449**

[57] CLAIM

[22] Filed: **May 22, 1998**

The ornamental design for a protective cover for carriage wheels, as shown and described.

[51] LOC (7) Cl. **12-12**

DESCRIPTION

[52] U.S. Cl. **D12/133**

[58] Field of Search D12/128-133,
D12/176, 177, 204, 205; 74/558, 568.5;
301/37.1, 37.23, 37.39, 37.41, 37.42

FIG. 1 is a front side perspective view of a protective cover for carriage wheels showing my new design;

FIG. 2 is a rear side perspective view thereof; and,

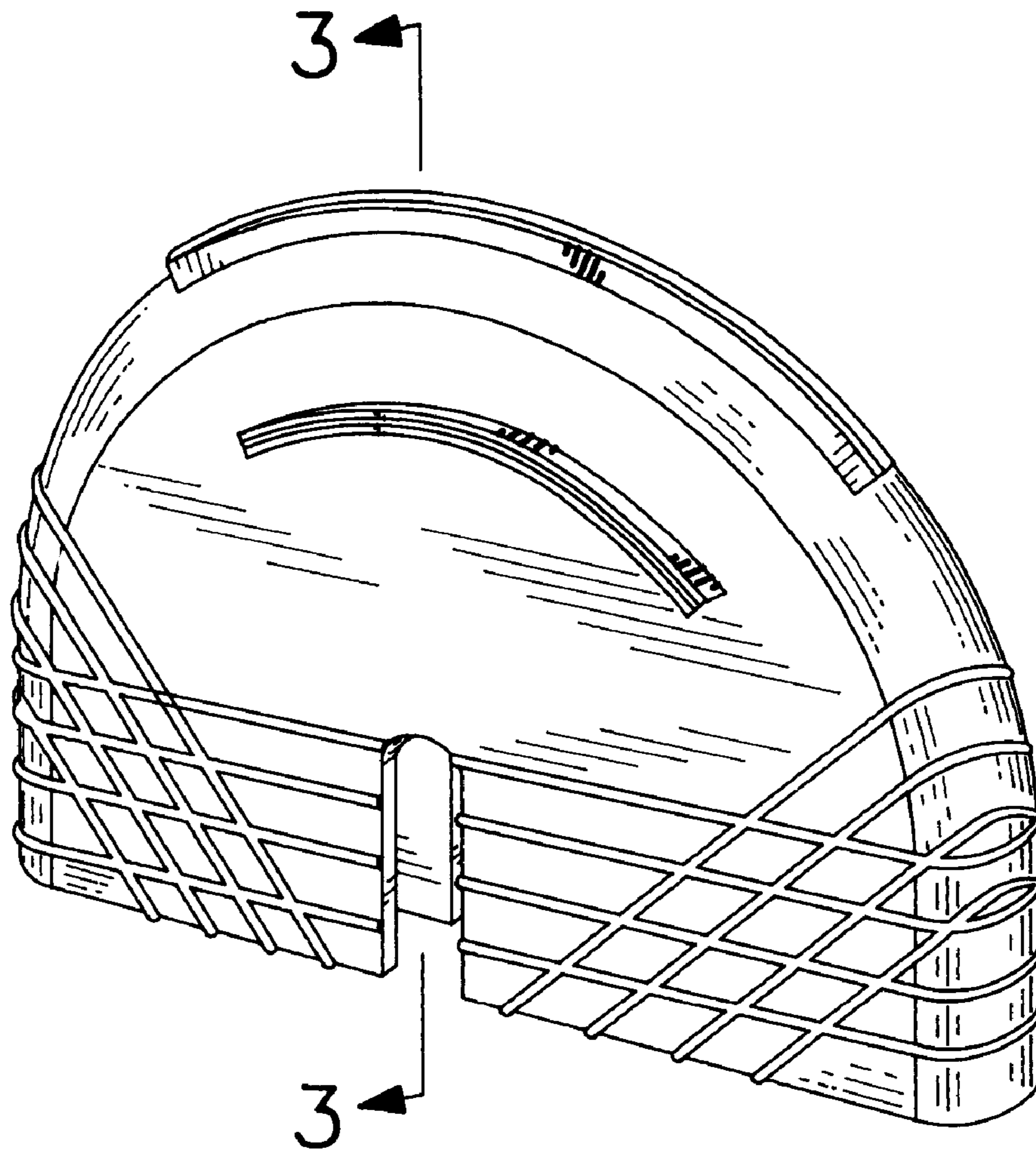
FIG. 3 is a cross section taken along line III—III of FIG. 1.

[56] References Cited

U.S. PATENT DOCUMENTS

D. 401,544 11/1998 Corsetti D12/177

1 Claim, 2 Drawing Sheets



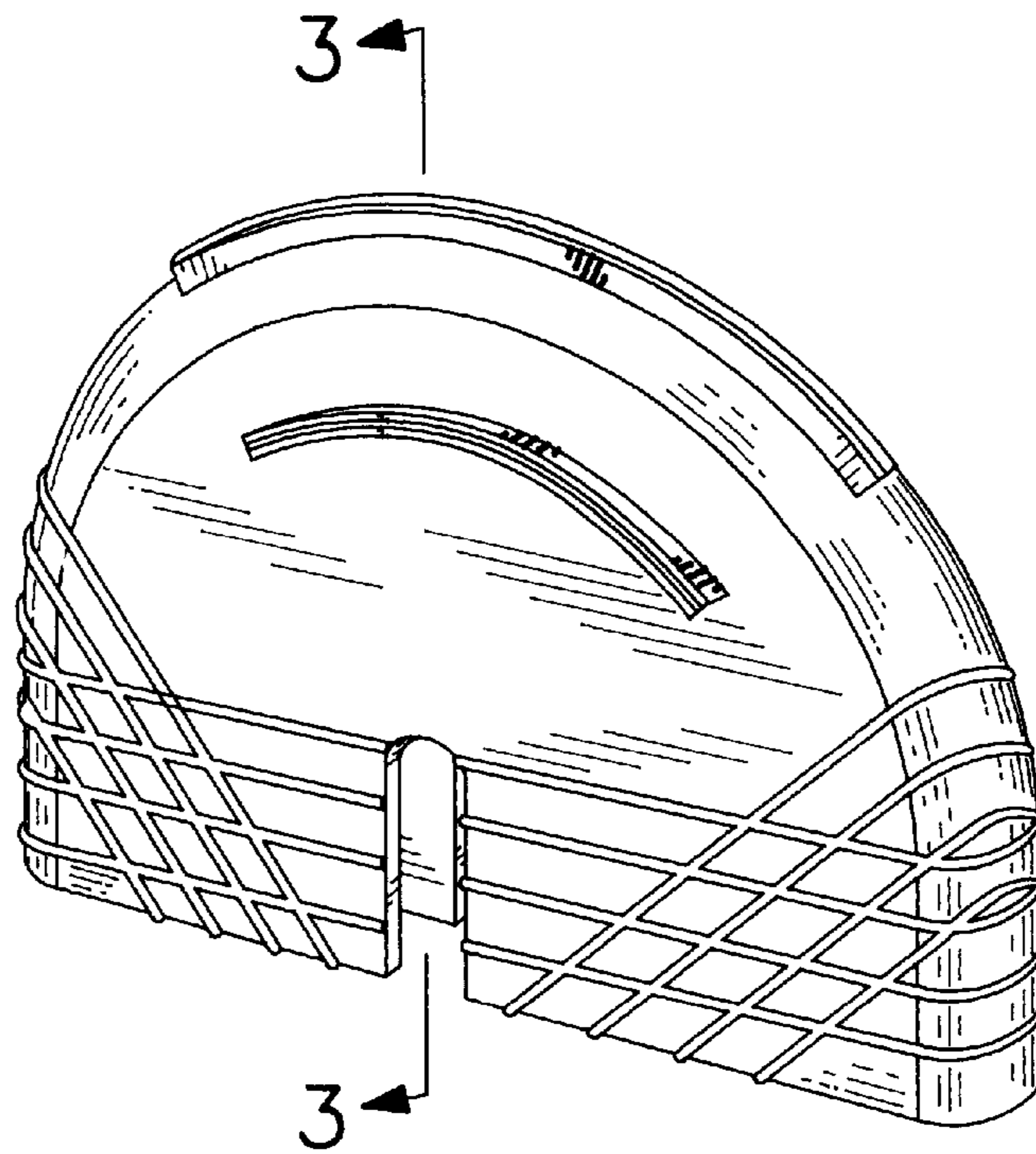


FIG. 1

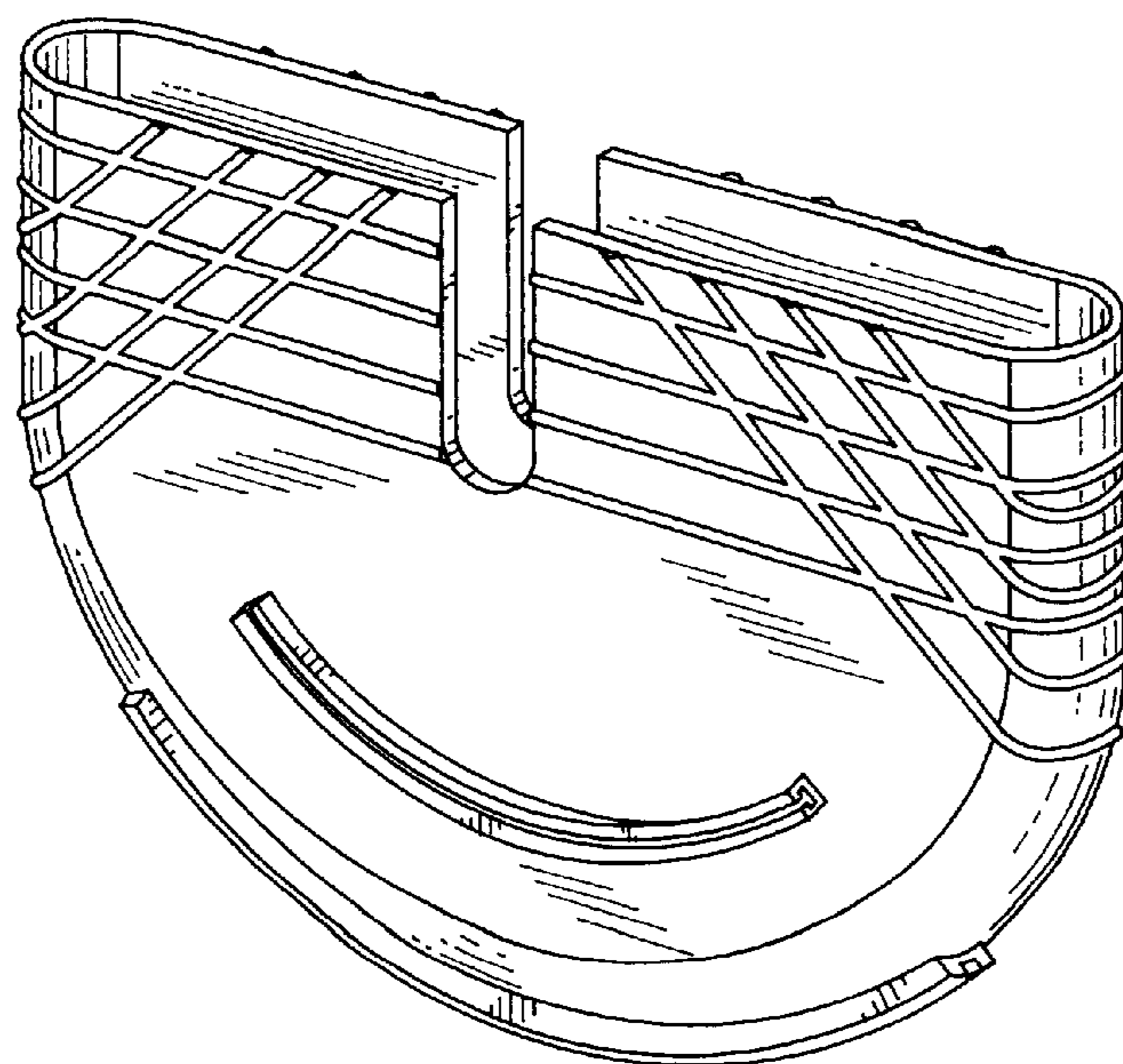


FIG. 2

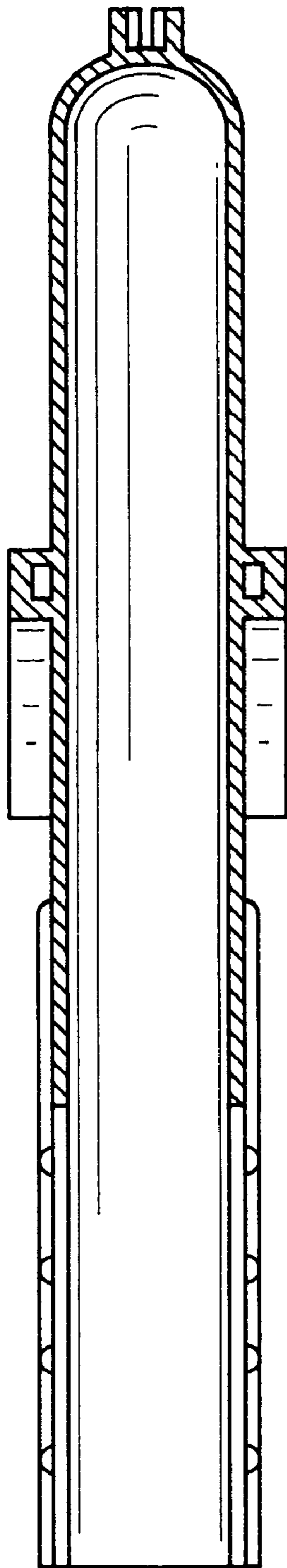


FIG. 3

UNITED STATES PATENT AND TRADEMARK OFFICE
CERTIFICATE OF CORRECTION

PATENT NO. : Des.423,992
DATED : May 2, 2000
INVENTOR(S) : Adler

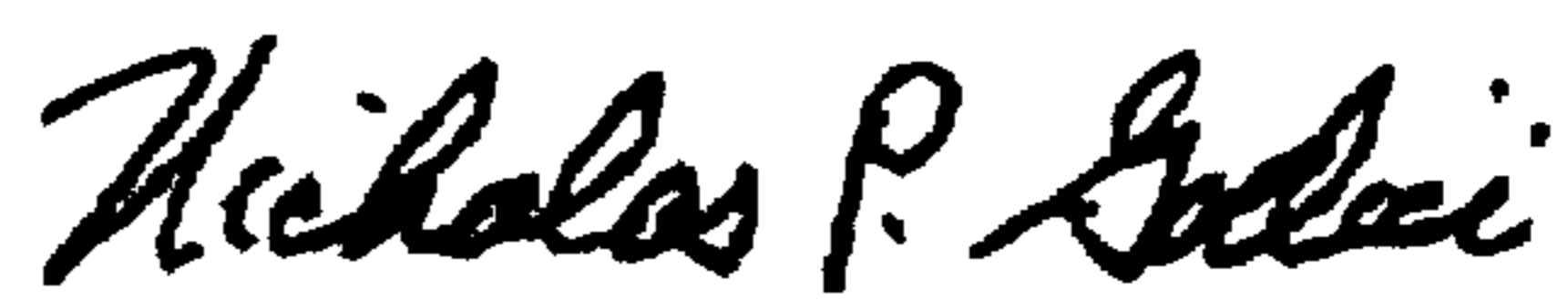
It is certified that error appears in the above-identified patent and that said Letters Patent is hereby corrected as shown below:

In [73], delete "Equipage Leasing Limited, Gibraltar" and insert -- Equipage Leasing Limited, Gibraltar, United Kingdom -- .

Signed and Sealed this

Twenty-fourth Day of April, 2001

Attest:



NICHOLAS P. GODICI

Attesting Officer

Acting Director of the United States Patent and Trademark Office