



US00D423991S

United States Patent [19]

[11] **Patent Number: Des. 423,991**

Deroost

[45] **Date of Patent: ** May 2, 2000**

[54] **PLATFORM FOR A BABY CARRIAGE**

*Primary Examiner—Kay H. Chin
Attorney, Agent, or Firm—Hill & Simpson*

[75] Inventor: **Rogeer J. Deroost**, Mol, Belgium

[57] **CLAIM**

[73] Assignee: **Studera N.V.**, Curacao, Netherlands Antilles

The ornamental design for a platform for a baby carriage, as shown and described.

[**] Term: **14 Years**

DESCRIPTION

[21] Appl. No.: **29/085,983**

FIG. 1 is a perspective view of the top of the platform for a baby carriage of the present invention taken from the upper rear end of the trailer;

[22] Filed: **Apr. 2, 1998**

FIG. 2 is a perspective view of the bottom of the platform for a baby carriage taken from the lower front end of the trailer;

[30] Foreign Application Priority Data

Oct. 2, 1997 [BX] Benelux TM/Des. Off. 73654

FIG. 3 is a bottom plan view of the platform for a baby carriage of FIG. 1;

[51] **LOC (7) Cl.** **12-12**

[52] **U.S. Cl.** **D12/133**

[58] **Field of Search** D12/128-133;
280/DIG. 9, DIG. 11, 647, 648, 649, 650,
656, 657, 658, 204, 202, 218, 87.021, 87.01,
87.042, 87.043; D21/534, 535, 536

FIG. 4 is a top plan view of the platform for a baby carriage of FIG. 1;

FIG. 5 is a front elevational view of the platform for a baby carriage of FIG. 1;

[56] References Cited

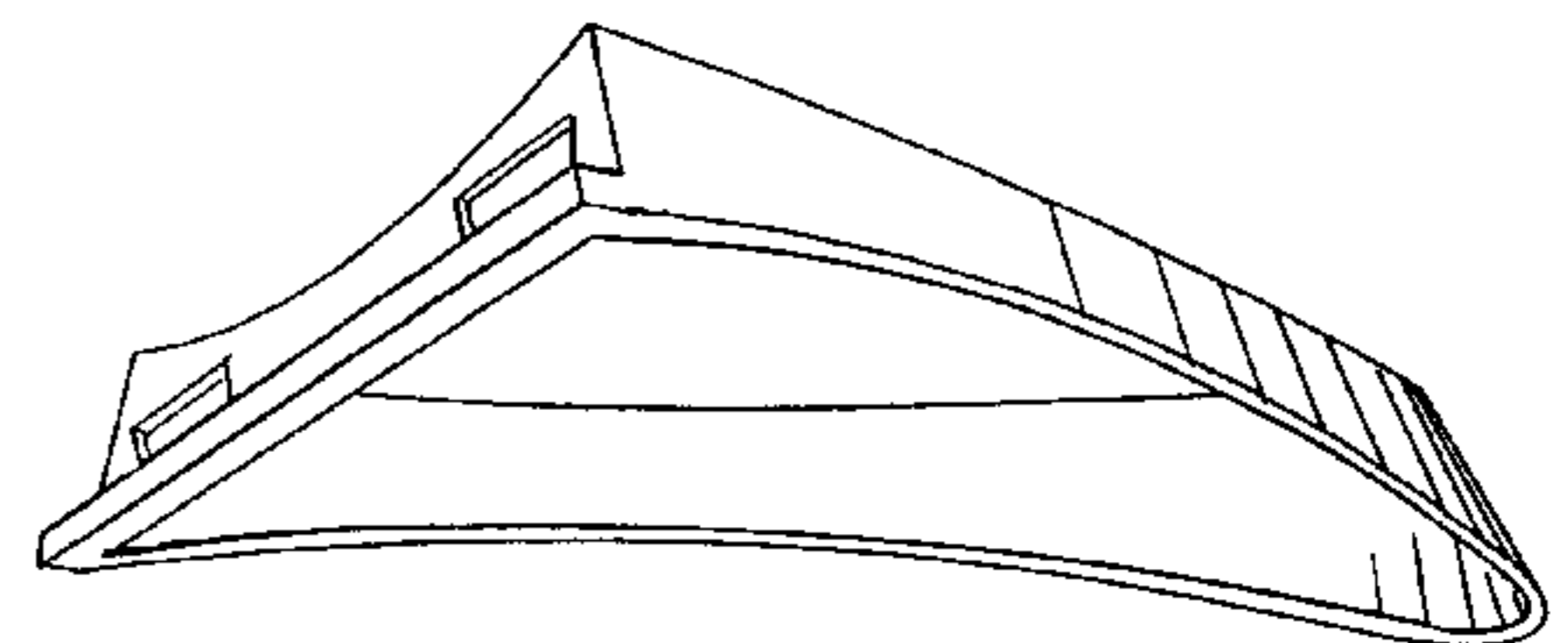
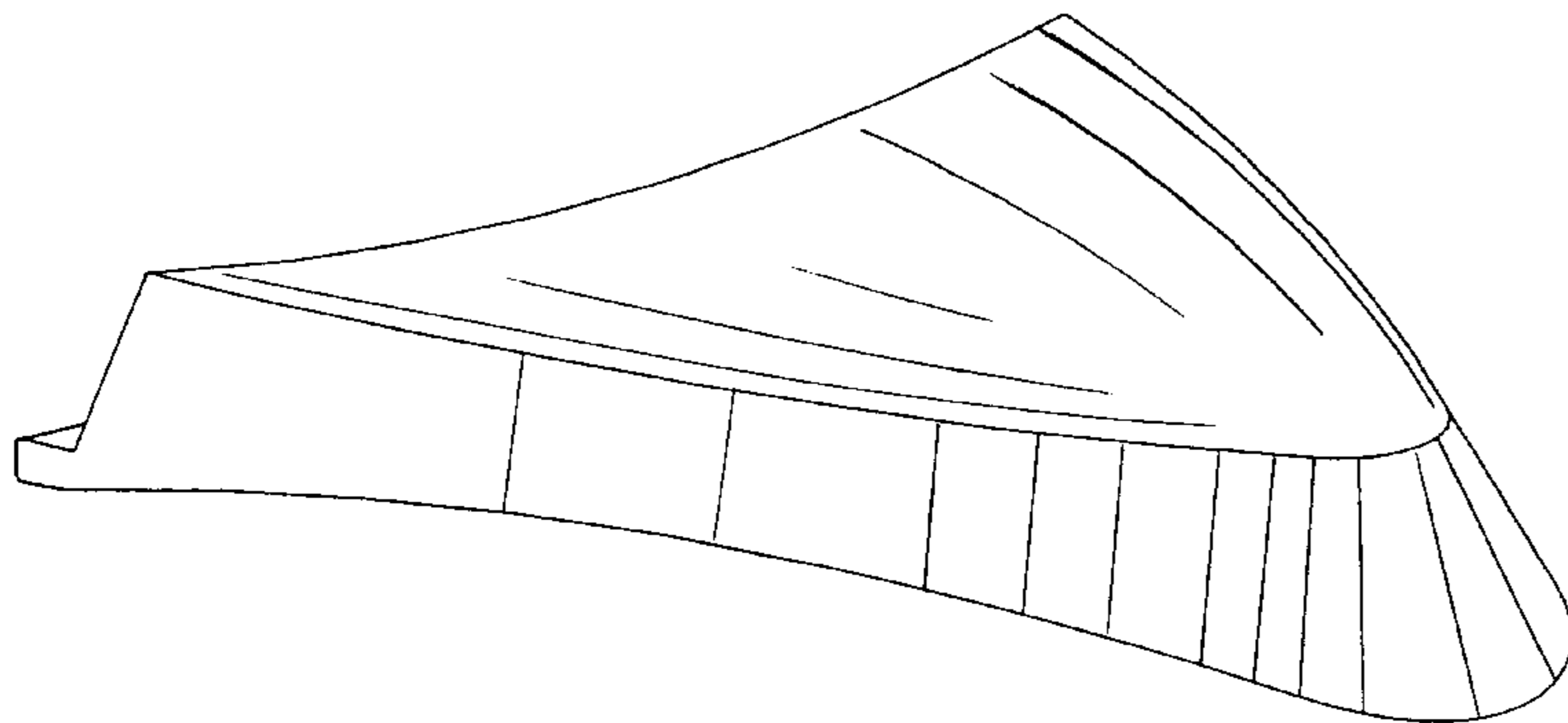
U.S. PATENT DOCUMENTS

D. 160,792 11/1950 Fever, Jr. D21/534
3,374,000 3/1968 Wetzel 280/204
4,346,772 8/1982 Clift 280/204

FIG. 6 is a rear elevational view of the platform for a baby carriage of FIG. 1; and,

FIG. 7 is a side view of the platform for a baby carriage with the opposite side being a mirror image.

1 Claim, 2 Drawing Sheets



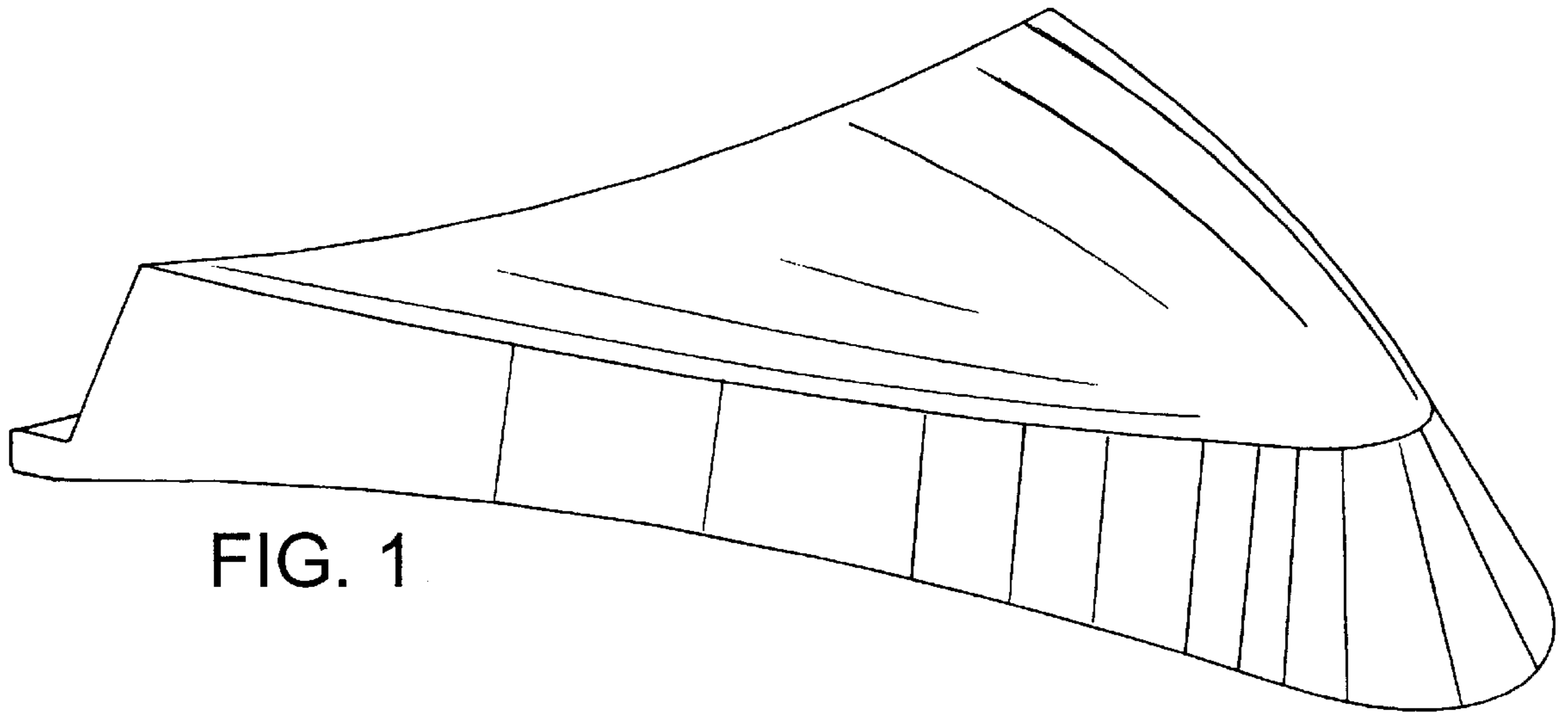


FIG. 1

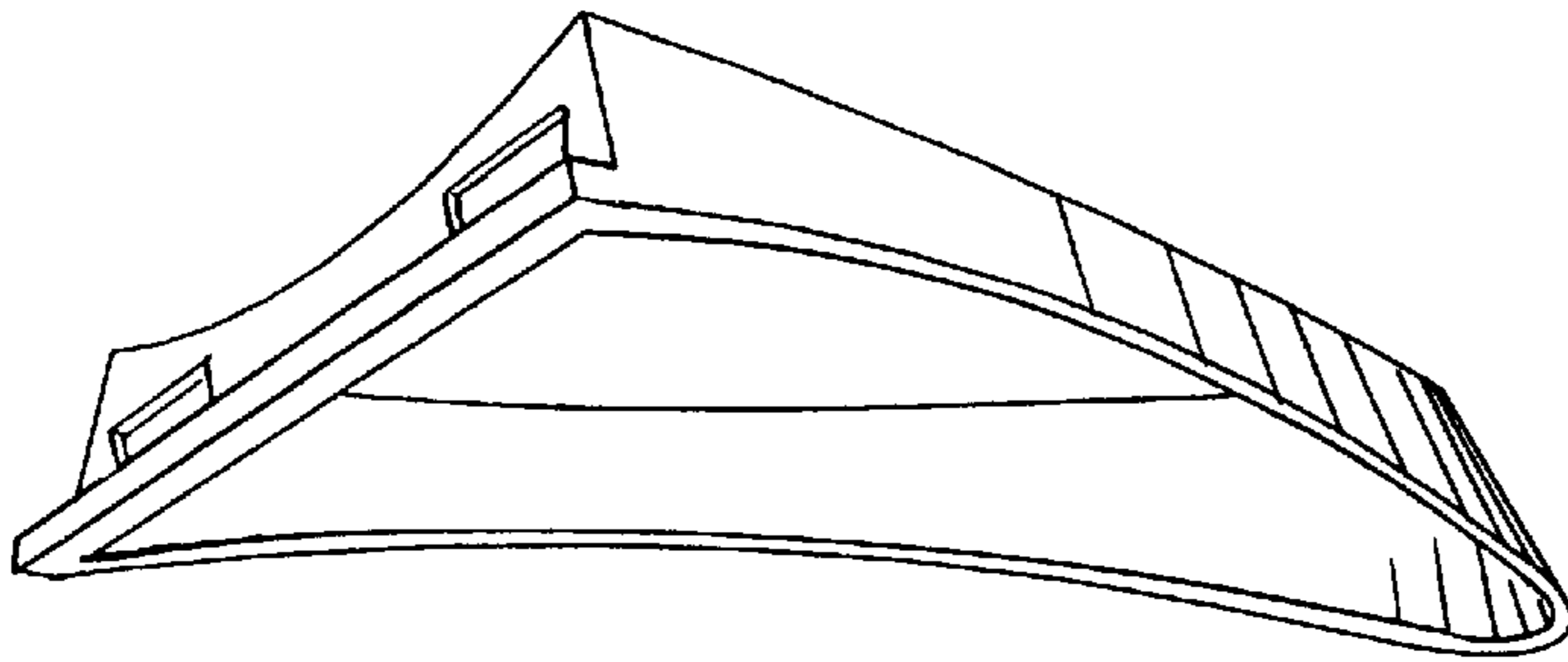


FIG. 2

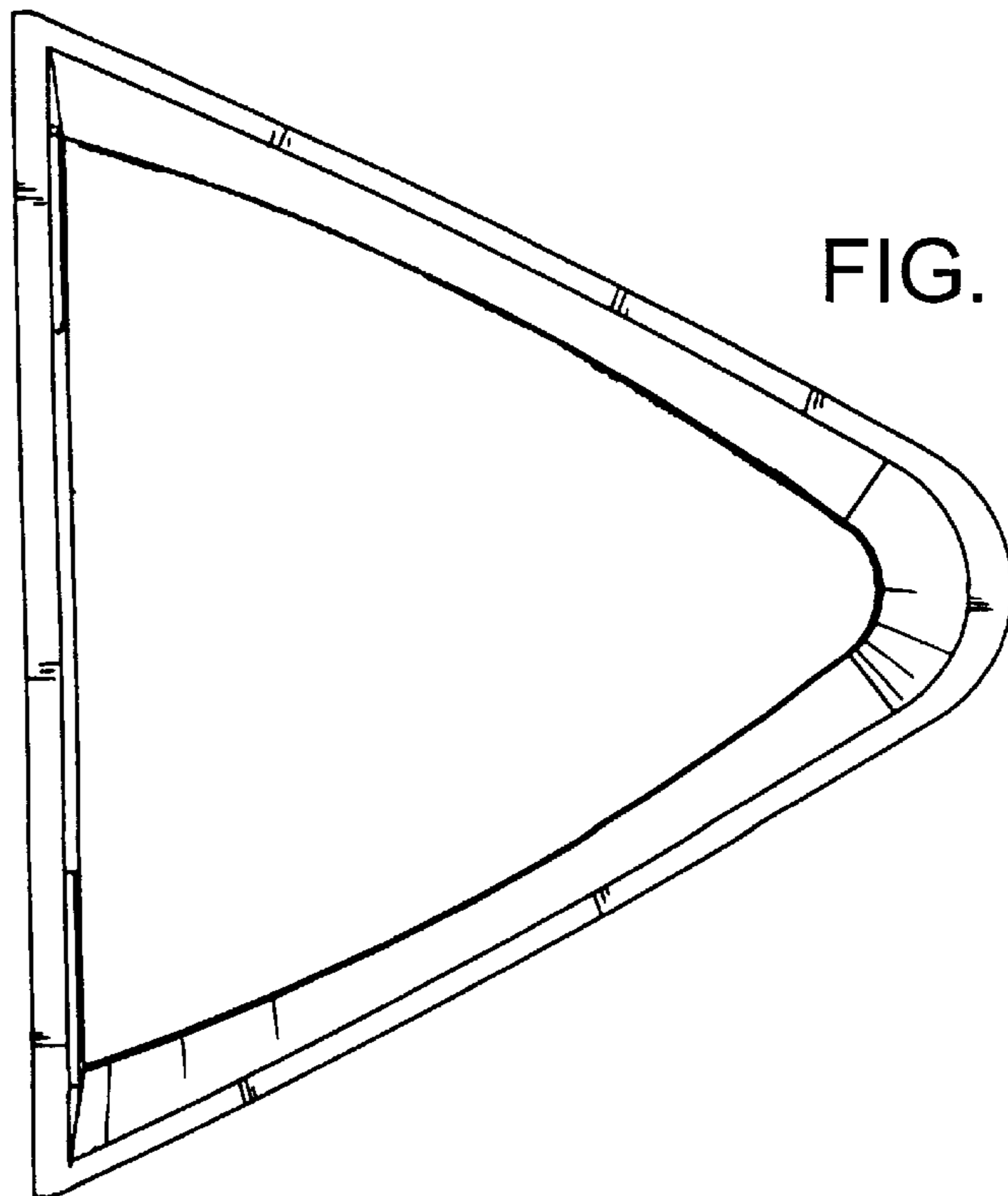


FIG. 3

