



US00D423986S

United States Patent [19]

Ishii et al.

[11] **Patent Number: Des. 423,986**

[45] **Date of Patent: ** *May 2, 2000**

[54] **PULL TAB FOR A SLIDE FASTENER SLIDER**

5,086,546 2/1992 Floki et al. 24/429
5,101,538 4/1992 Diete 24/429

[75] Inventors: **Yasuhiro Ishii**, Ishioka; **Atsushi Arai**,
Kokubunji, both of Japan

Primary Examiner—Ralf Seifert
Attorney, Agent, or Firm—Hill & Simpson

[73] Assignee: **YKK Corporation**, Tokyo, Japan

[57] **CLAIM**

[*] Notice: This patent is subject to a terminal disclaimer.

The ornamental design for a pull tab for a slide fastener slider, as shown and described.

[**] Term: **14 Years**

DESCRIPTION

[21] Appl. No.: **29/087,053**

FIG. 1 is a front view of the ornamental design of the pull tab for a slide fastener slider in accordance with our invention;

[22] Filed: **Feb. 20, 1998**

FIG. 2 is a plan view of the pull tab of FIG. 1;

[30] **Foreign Application Priority Data**

Aug. 22, 1997 [JP] Japan 9-65635

FIG. 3 is a base view of the pull tab of FIG. 1;

[51] **LOC (7) Cl.** **02-07**

[52] **U.S. Cl.** **D11/221**

[58] **Field of Search** D11/200, 201,
D11/223, 228; 24/419-421, 428-429, 431,
435

FIG. 4 is a rear view of the pull tab of FIG. 1;

FIG. 5 is a left side view of the pull tab of FIG. 1;

FIG. 6 is a right side view of the pull tab of FIG. 1;

FIG. 7 is a cross-sectional view taken on line VII—VII of FIG. 1;

FIG. 8 is a cross-sectional view taken on line VIII—VIII of FIG. 1;

FIG. 9 is an enlarged cross-sectional view taken on line IX—IX of FIG. 1; and,

FIG. 10 is an explanatory view showing the pull tab of FIG. 1 in use.

[56] **References Cited**

U.S. PATENT DOCUMENTS

D. 154,144	6/1949	Reiter	D11/221
D. 200,957	4/1965	Warren et al.	D11/221
D. 227,421	6/1973	Dupon	D11/221
D. 324,354	3/1992	Oya	D11/221
1,964,485	6/1934	Seaver	24/435

The broken line showing of a slide fastener slider in FIG. 10 is for illustrative purposes only and forms no part of the claimed design.

1 Claim, 3 Drawing Sheets

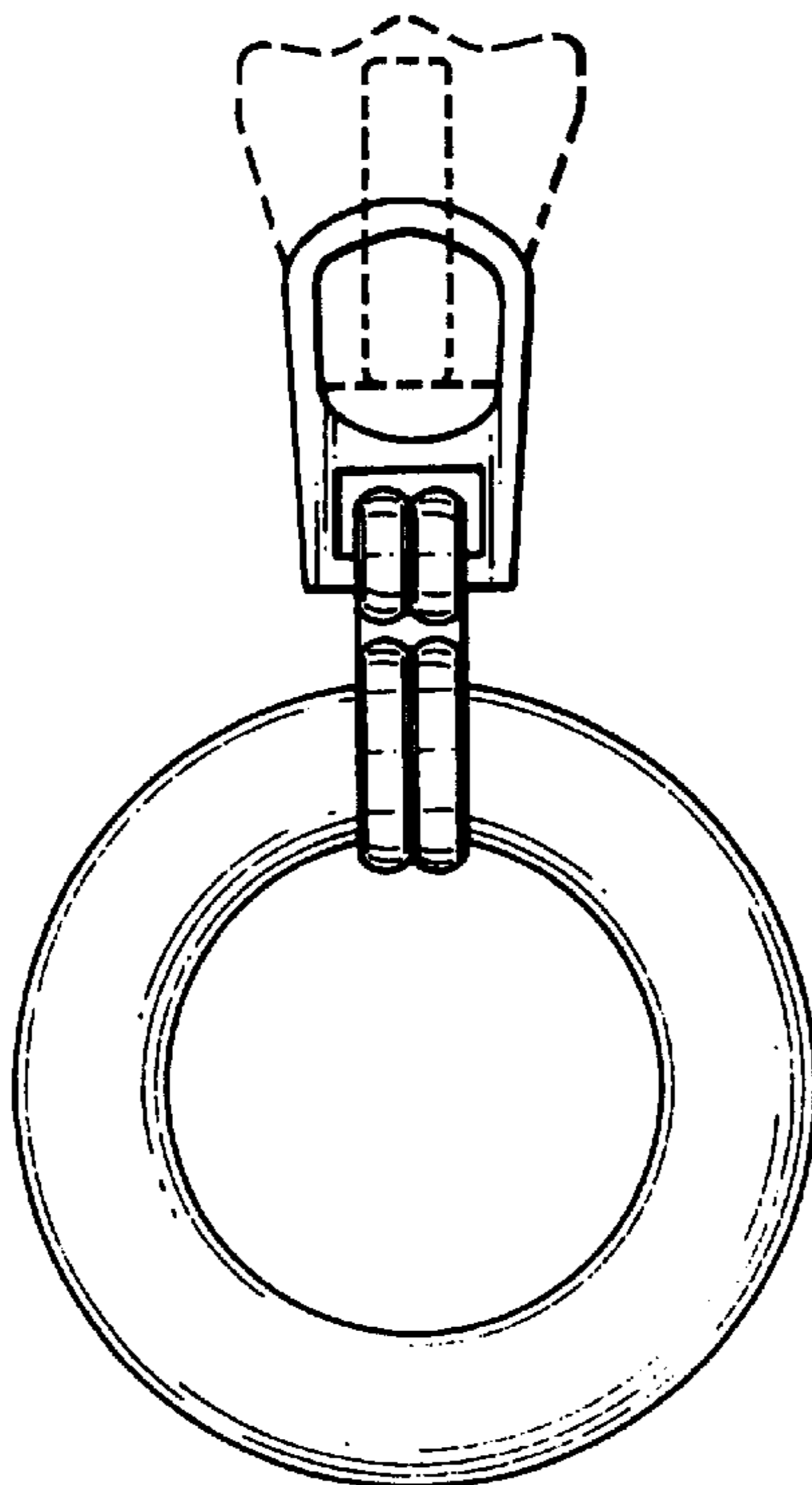


FIG. 1

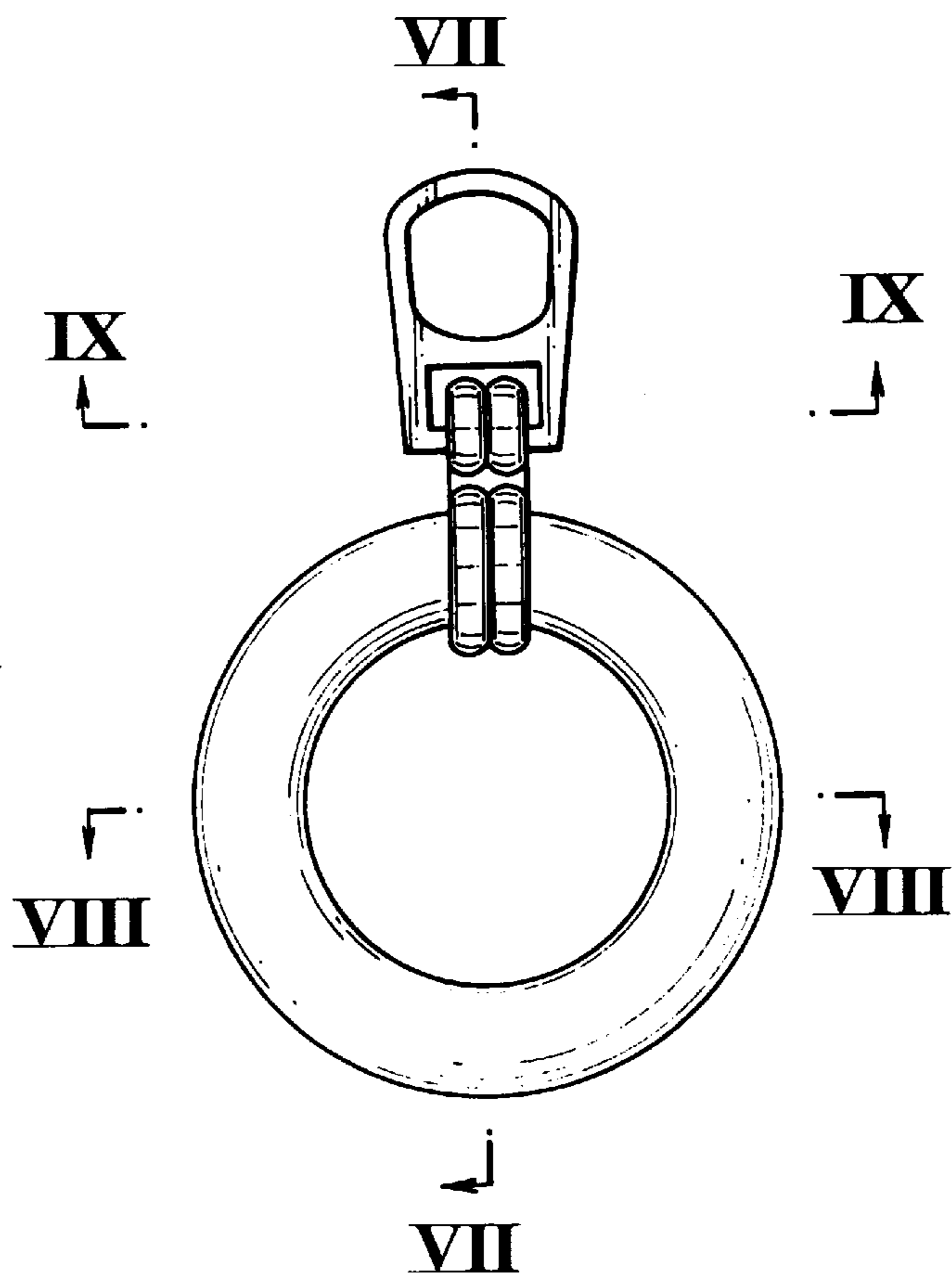


FIG. 2

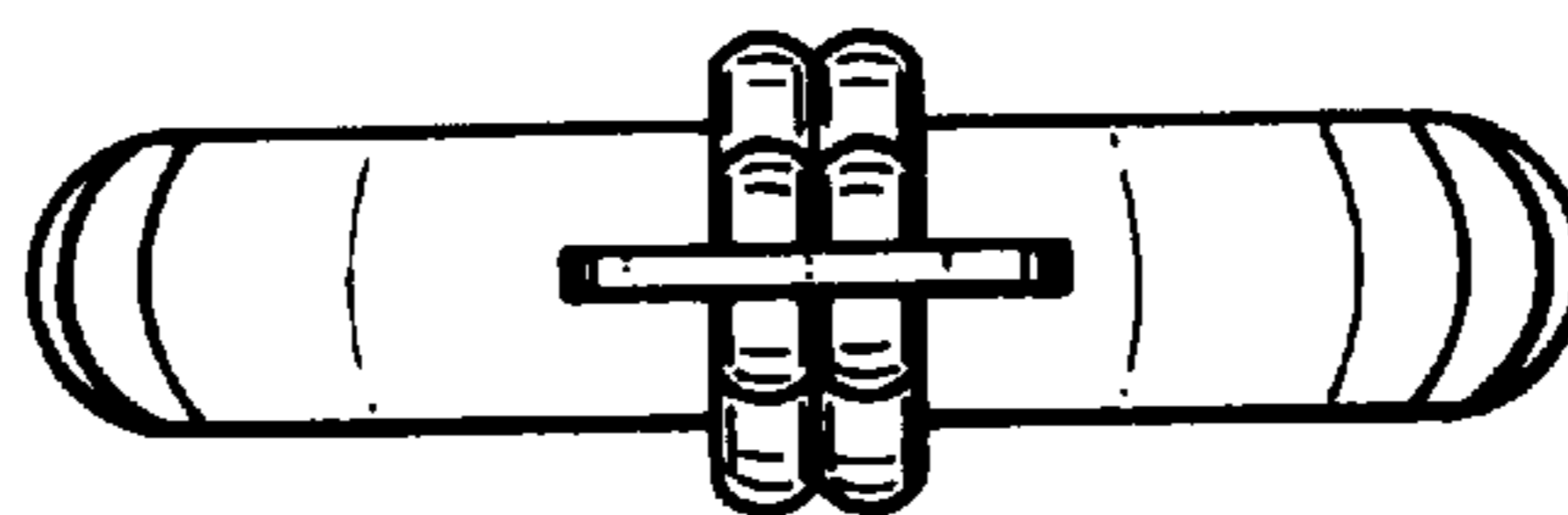


FIG. 3

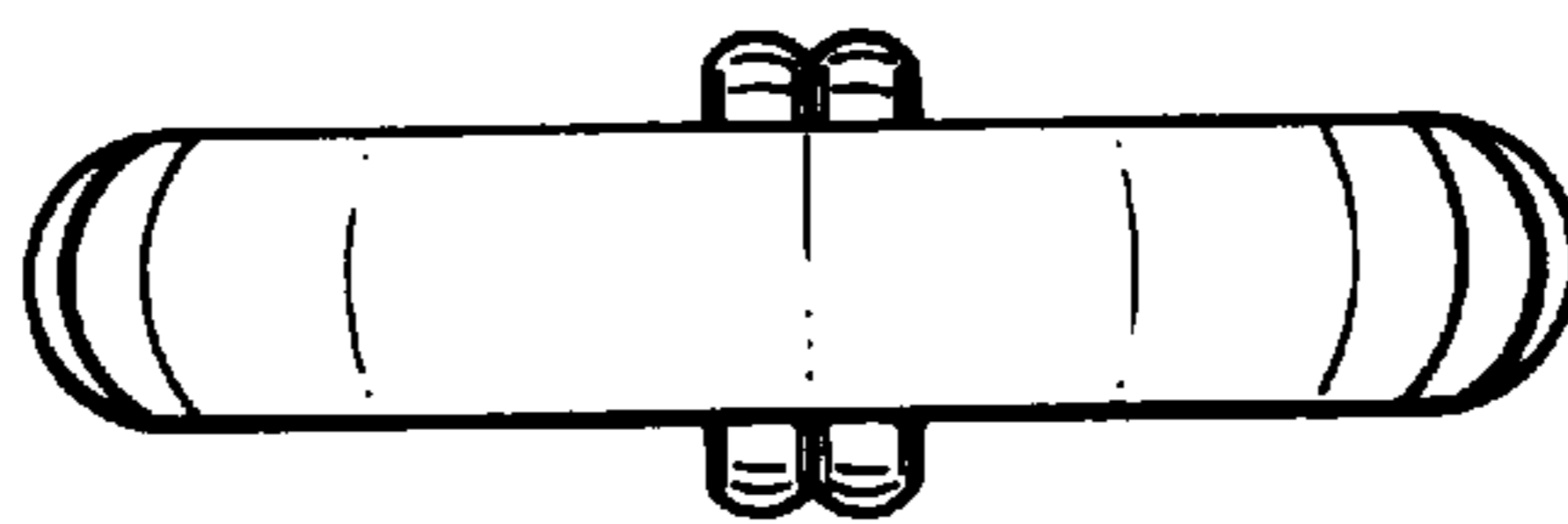


FIG. 4

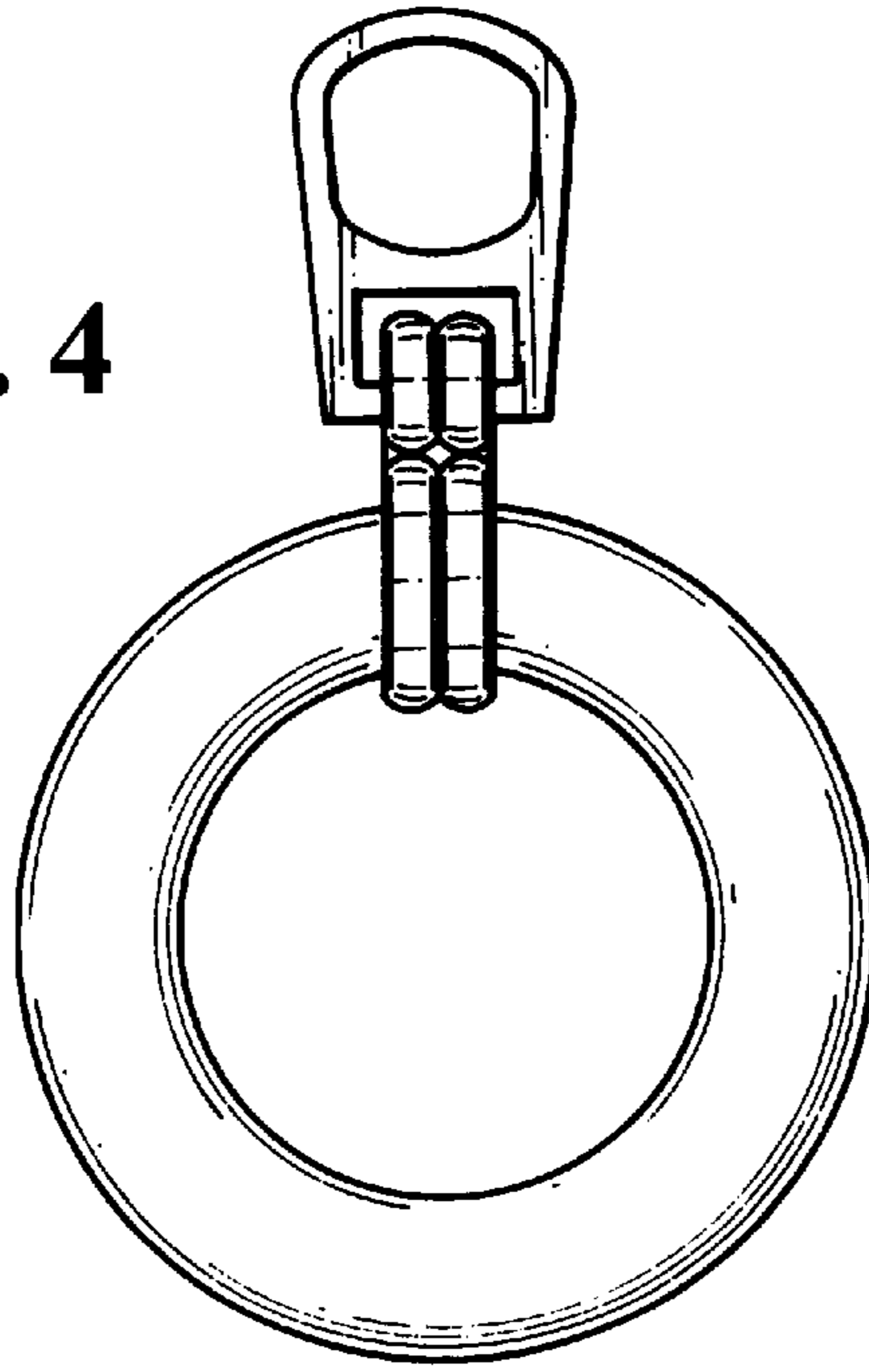


FIG. 5

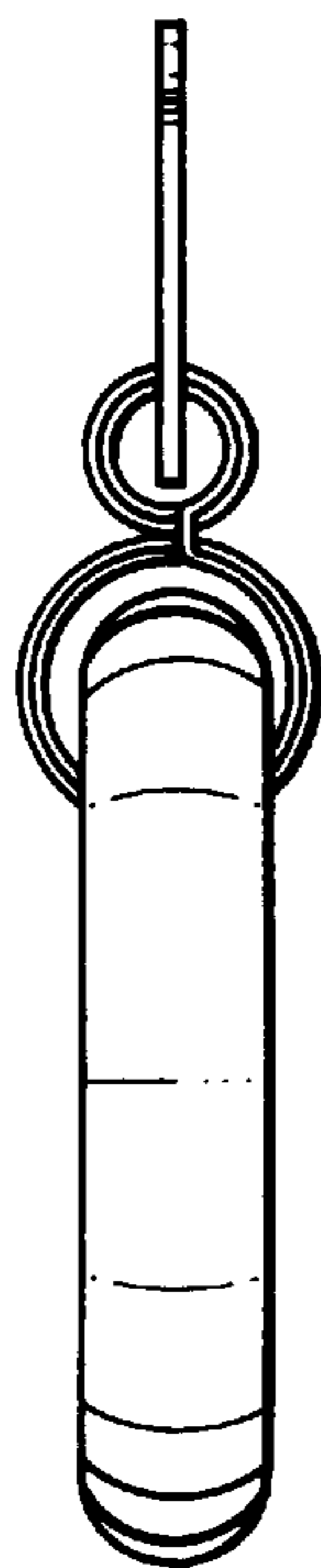


FIG. 6

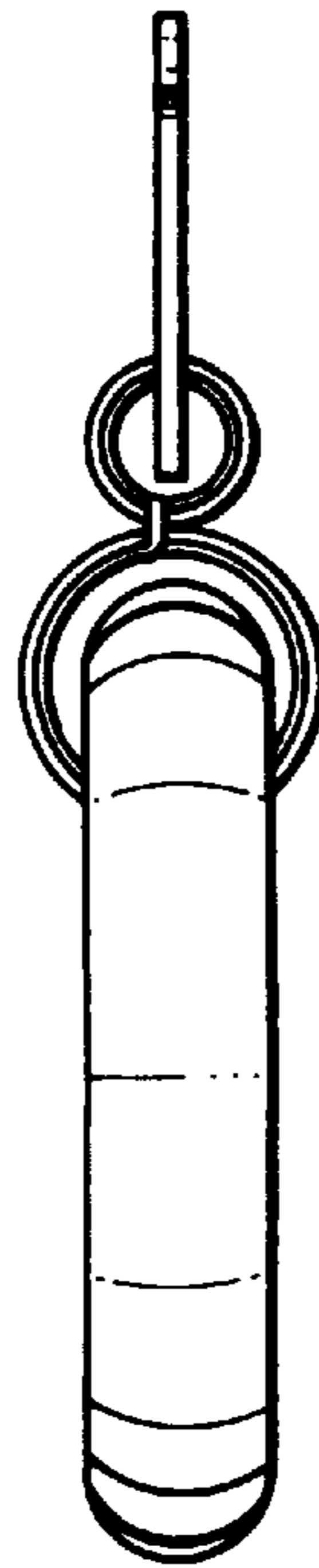


FIG. 7

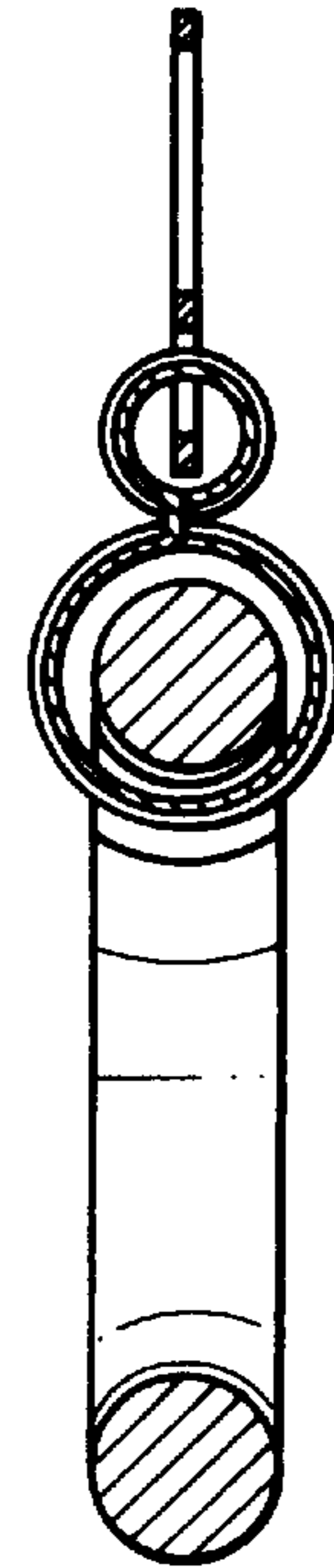




FIG. 8

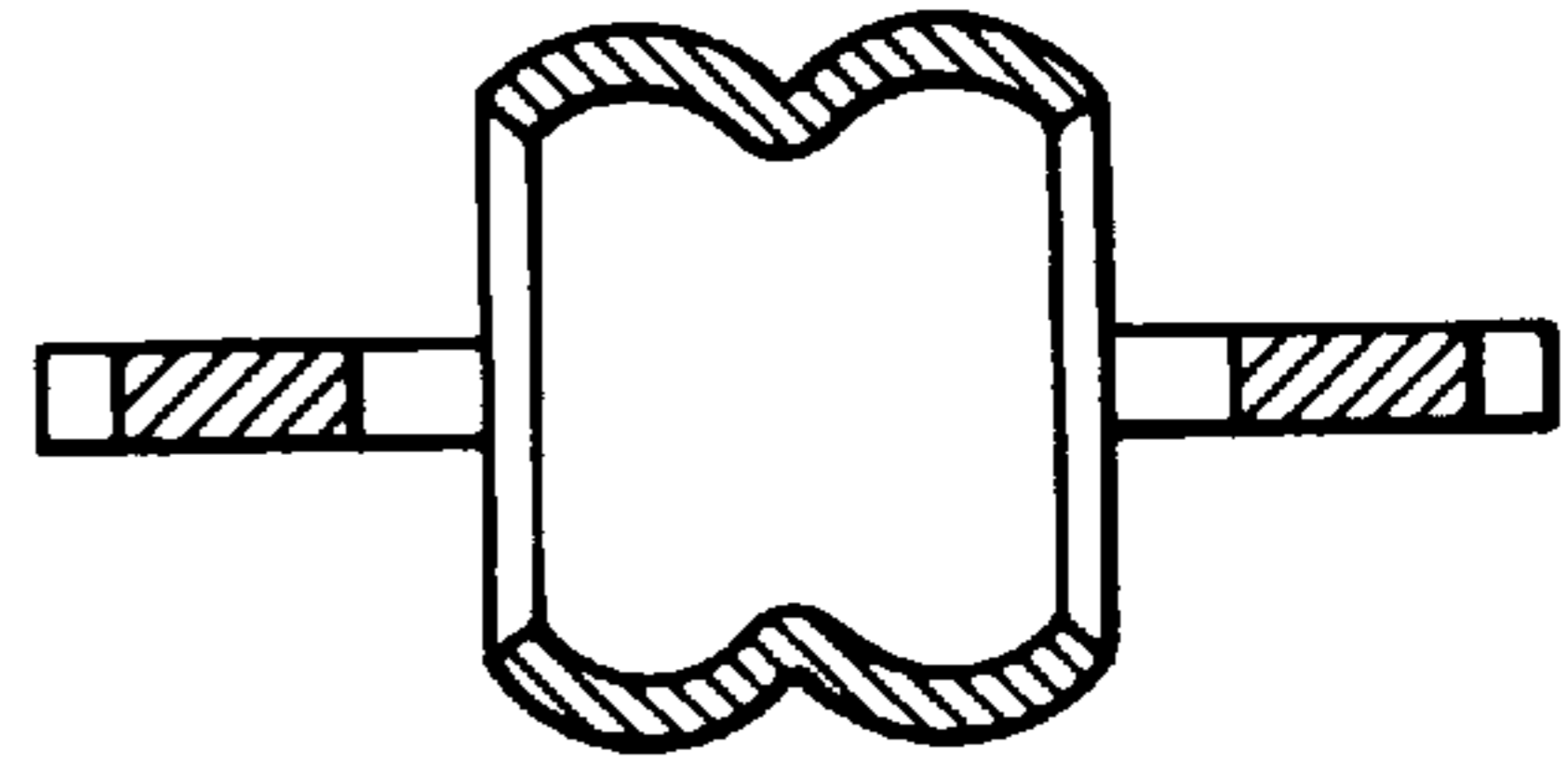


FIG. 9

FIG. 10

