



US00D423982S

# United States Patent [19] Nethercutt

[11] **Patent Number: Des. 423,982**

[45] **Date of Patent: \*\* May 2, 2000**

[54] **EYE STRUCTURE FOR BLOW MOLDED YARD FIGURES**

[75] Inventor: **Claude Nethercutt**, Fountain, N.C.

[73] Assignee: **Santa's Best**, Northfield, Ill.

[\*\*] Term: **14 Years**

[21] Appl. No.: **29/041,013**

[22] Filed: **Jun. 26, 1995**

[51] **LOC (7) Cl.** ..... **11-05**

[52] **U.S. Cl.** ..... **D11/130; D11/164; D21/658; D21/661**

[58] **Field of Search** ..... **D11/117, 130; D24/157; D21/189, 658, 661; 446/392; 623/4**

[56] **References Cited**

**U.S. PATENT DOCUMENTS**

- D. 200,108 1/1965 Swedlin ..... D21/189
- D. 266,696 10/1982 Crossley ..... D21/189 X

- D. 280,236 8/1985 Crossley ..... D21/189 X
- D. 288,949 3/1987 Akens, II et al. .... D21/189
- 2,125,426 8/1938 Asare ..... D21/189 X
- 2,202,896 6/1940 Buchner et al. .... D21/189 X
- 2,425,510 8/1947 Cohn ..... D21/189 X

*Primary Examiner*—Dominic Simone  
*Attorney, Agent, or Firm*—Emrich & Dithmar

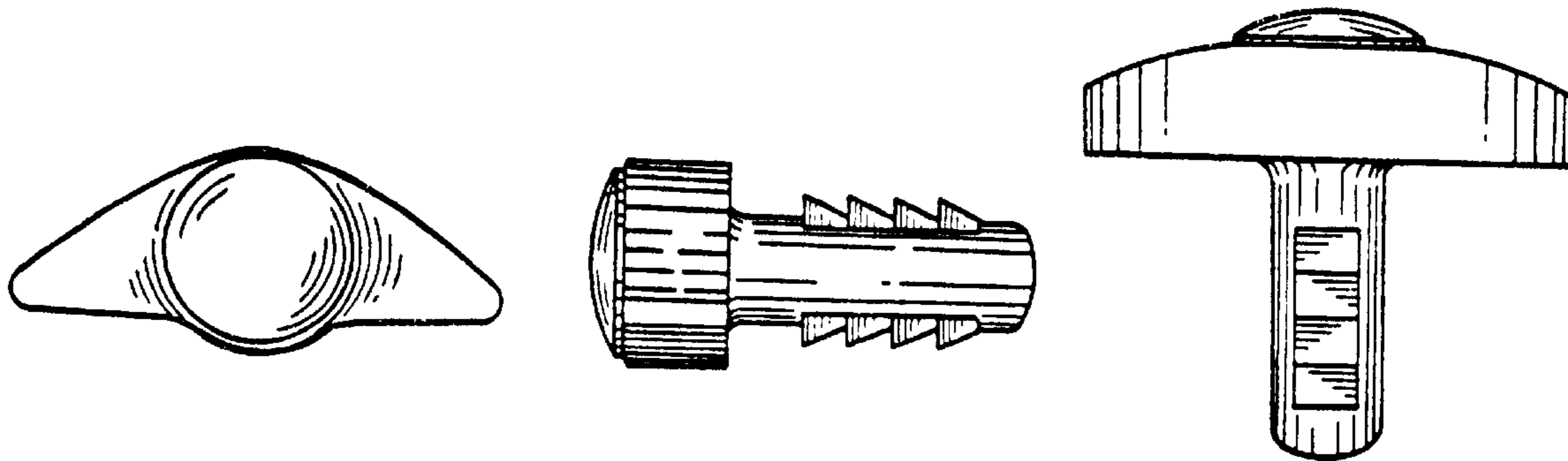
[57] **CLAIM**

The ornamental design for the eye structure for blow molded yard figures, as shown and described.

**DESCRIPTION**

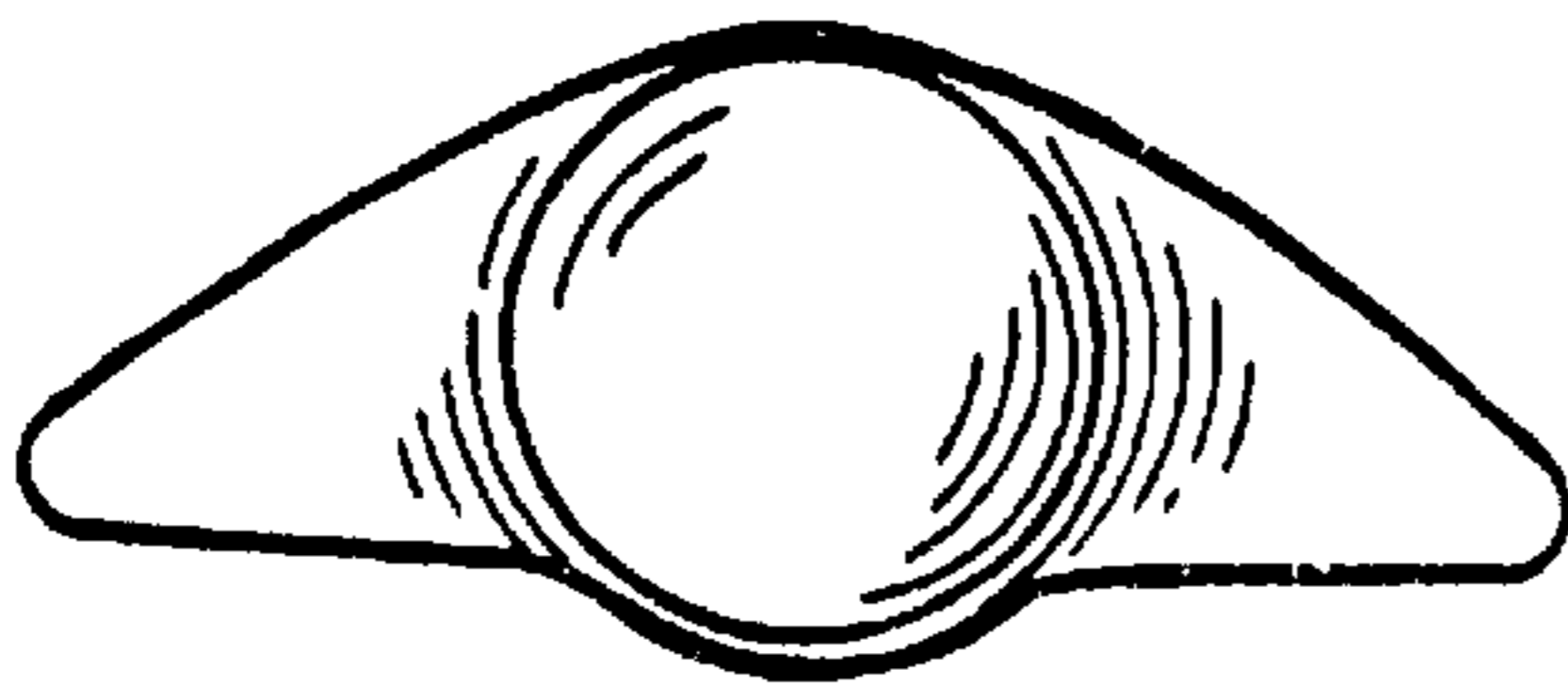
FIG. 1 is a front elevational of an eye structure for blow molded yard figures showing my new design, the Santa figure shown in broken lines for illustrative purposes only and forms no part of the claimed design; FIG. 2 is a front elevational view thereof; FIG. 3 is a right side elevational view thereof, the left side being substantially identical; and, FIG. 4 is a top plan view thereof.

**1 Claim, 1 Drawing Sheet**

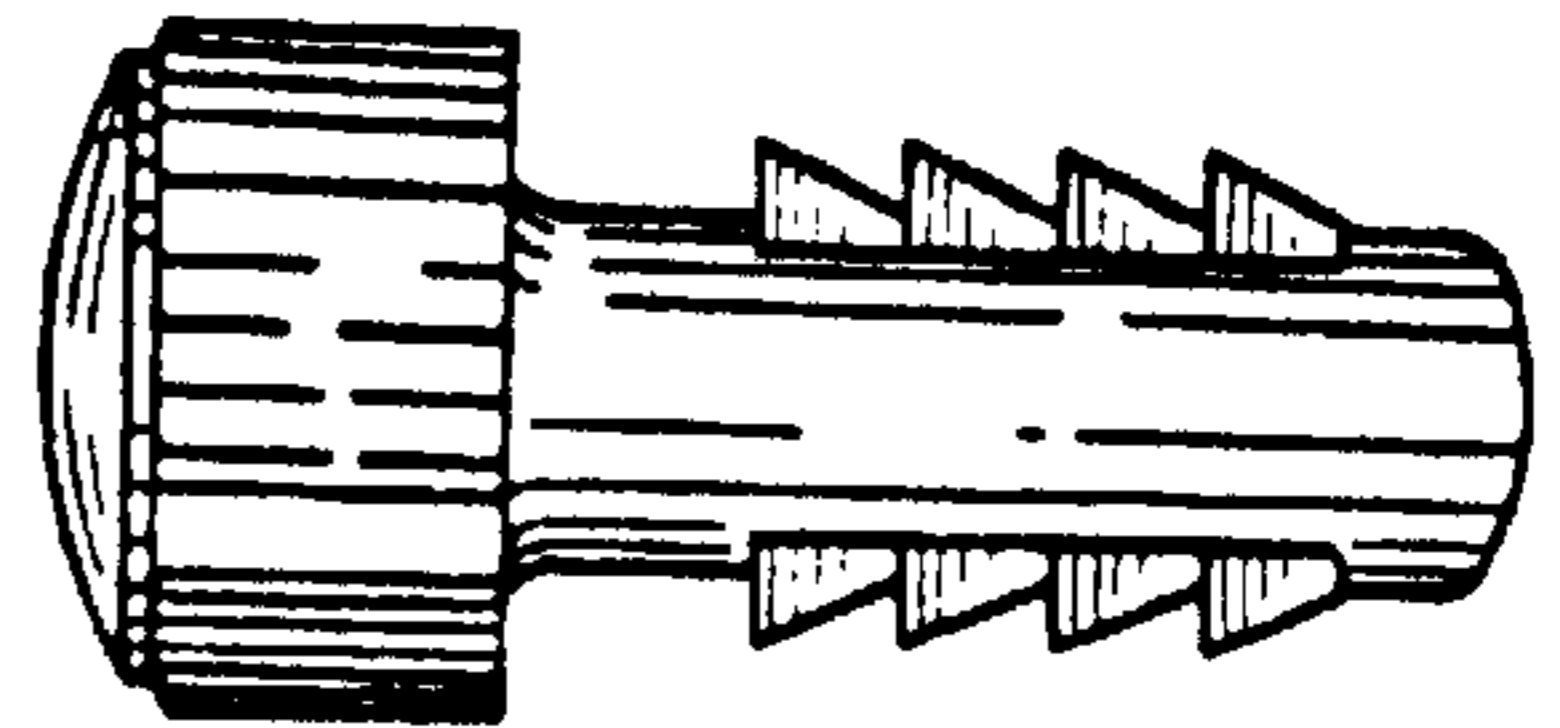




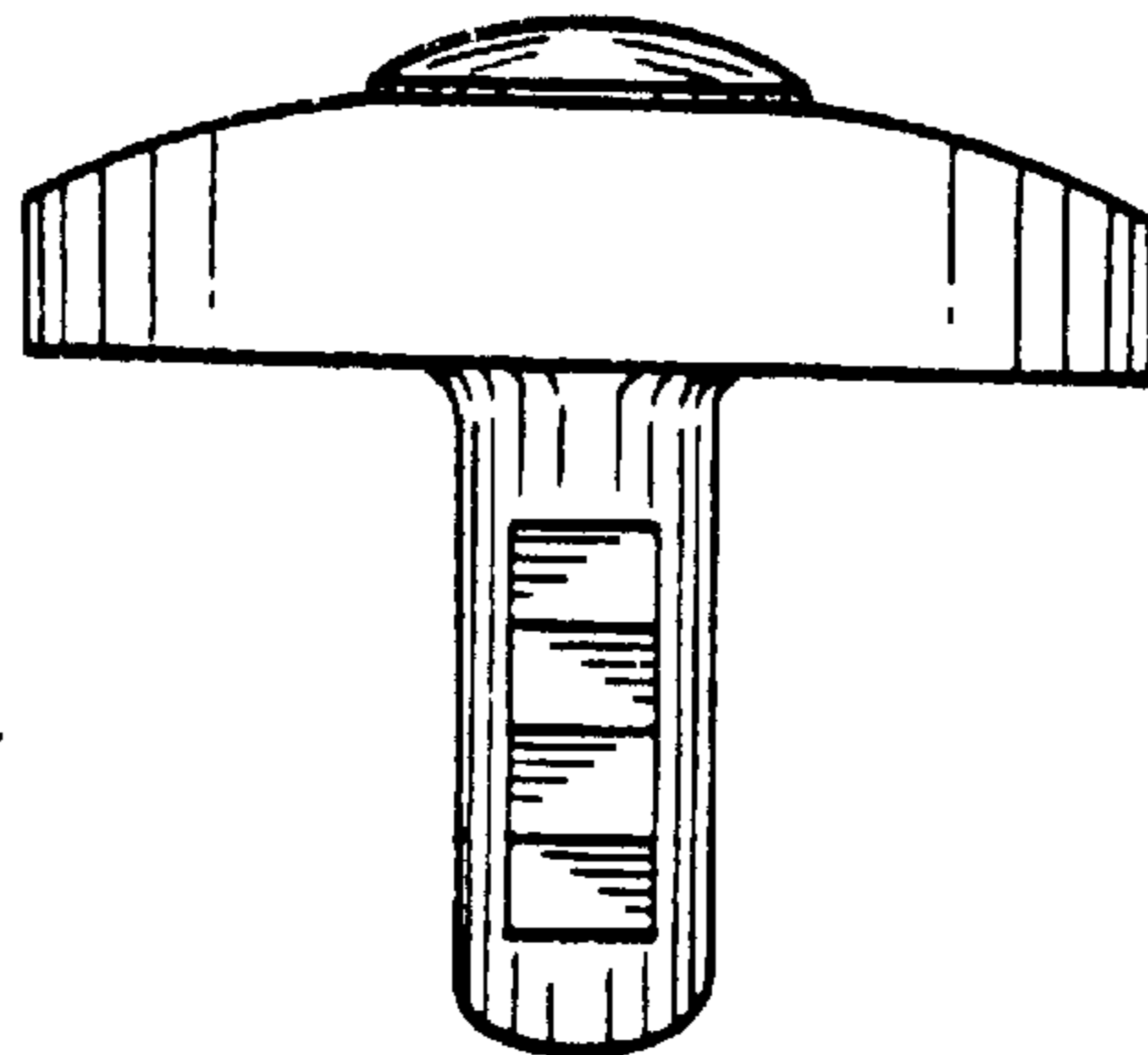
*Fig. 1*



*Fig. 2*



*Fig. 3*



*Fig. 4*