



US00D423981S

United States Patent [19]

[11] Patent Number: Des. 423,981

Chia et al.

[45] Date of Patent: ** May 2, 2000

[54] JEWELRY COMPONENT

[76] Inventors: **Meang Chia; Cheo Chia; Huy Kim Chia**, all of Chain & Chain Manufactures, 412 W. 6th St., Suite #1104, Los Angeles, Calif. 90014

[**] Term: **14 Years**

[21] Appl. No.: **29/098,060**

[22] Filed: **Dec. 21, 1998**

Related U.S. Application Data

[62] Division of application No. 29/070,204, May 7, 1997, Pat. No. Des. 406,247.

[51] **LOC (7) Cl.** **11-01**

[52] **U.S. Cl.** **D11/93**

[58] **Field of Search** D11/1-26, 35, D11/89-94, 54, 56, 76, 48; 63/32, 1.1, 2, 15, 27, 4; 59/80

[56] References Cited

U.S. PATENT DOCUMENTS

D. 314,929	2/1991	Chia et al. .	
D. 319,033	8/1991	Chia et al. .	
D. 325,709	4/1992	Chia et al. .	
D. 329,401	9/1992	Chia et al. .	
D. 331,726	12/1992	Chia et al. .	
D. 335,639	5/1993	Chia et al.	D11/93
D. 337,070	7/1993	Chia et al. .	
D. 338,852	8/1993	Keshishian	D11/93
813,084	2/1906	Dover	63/26
1,189,497	7/1916	Schwartzman	59/80
2,538,090	1/1951	Ferragamo	63/4
5,694,791	12/1997	Esposito	63/3

Primary Examiner—Ralf Seifert
Attorney, Agent, or Firm—Ladas & Parry

[57] CLAIM

The ornamental design for a jewelry component, as shown and herein described.

DESCRIPTION

FIG. 1 is a perspective view of a first embodiment of my

jewelry component shown in a position of use, the broken line showing of the adjoining components is for illustrative purposes only and form no part of the claimed design;

FIG. 2 is a perspective view;

FIG. 3 is a top plan view;

FIG. 4 is a side elevational view, of which the opposite view is a mirror image;

FIG. 5 is a perspective view of my a jewelry component showing a second embodiment of my new design;

FIG. 6 is a side elevational view, of which the opposite view is a mirror image;

FIG. 7 is a right side view of FIG. 6, of which the opposite view is a mirror image;

FIG. 8 is a perspective view of my a jewelry component showing a third embodiment of my new design;

FIG. 9 is a side elevational view, of which the opposite view is a mirror image;

FIG. 10 is a right side view of FIG. 9, of which the opposite view is a mirror image;

FIG. 11 is a perspective view of a fourth embodiment of my jewelry component shown in a position of use, the broken line showing of the adjoining components is for illustrative purposes only and forms no part of the claimed design;

FIG. 12 is a perspective view;

FIG. 13 is a top plan view;

FIG. 14 is a side elevational view, of which the opposite view is a mirror image;

FIG. 15 is a cross-sectional view of line 15—15 of FIG. 13;

FIG. 16 is a perspective view of my a jewelry component showing a fifth embodiment of my new design;

FIG. 17 is a side elevational view, of which the opposite view is a mirror image;

FIG. 18 is a right side view of FIG. 17, of which the opposite view is a mirror image;

FIG. 19 is a perspective view of a sixth embodiment of my jewelry component shown in a position of use, the broken line showing of the adjoining components is for illustrative purposes only and forms no part of the claimed design;

FIG. 20 is a perspective view;

FIG. 21 is a top plan view;

FIG. 22 is a side elevational view, of which the opposite view is a mirror image;

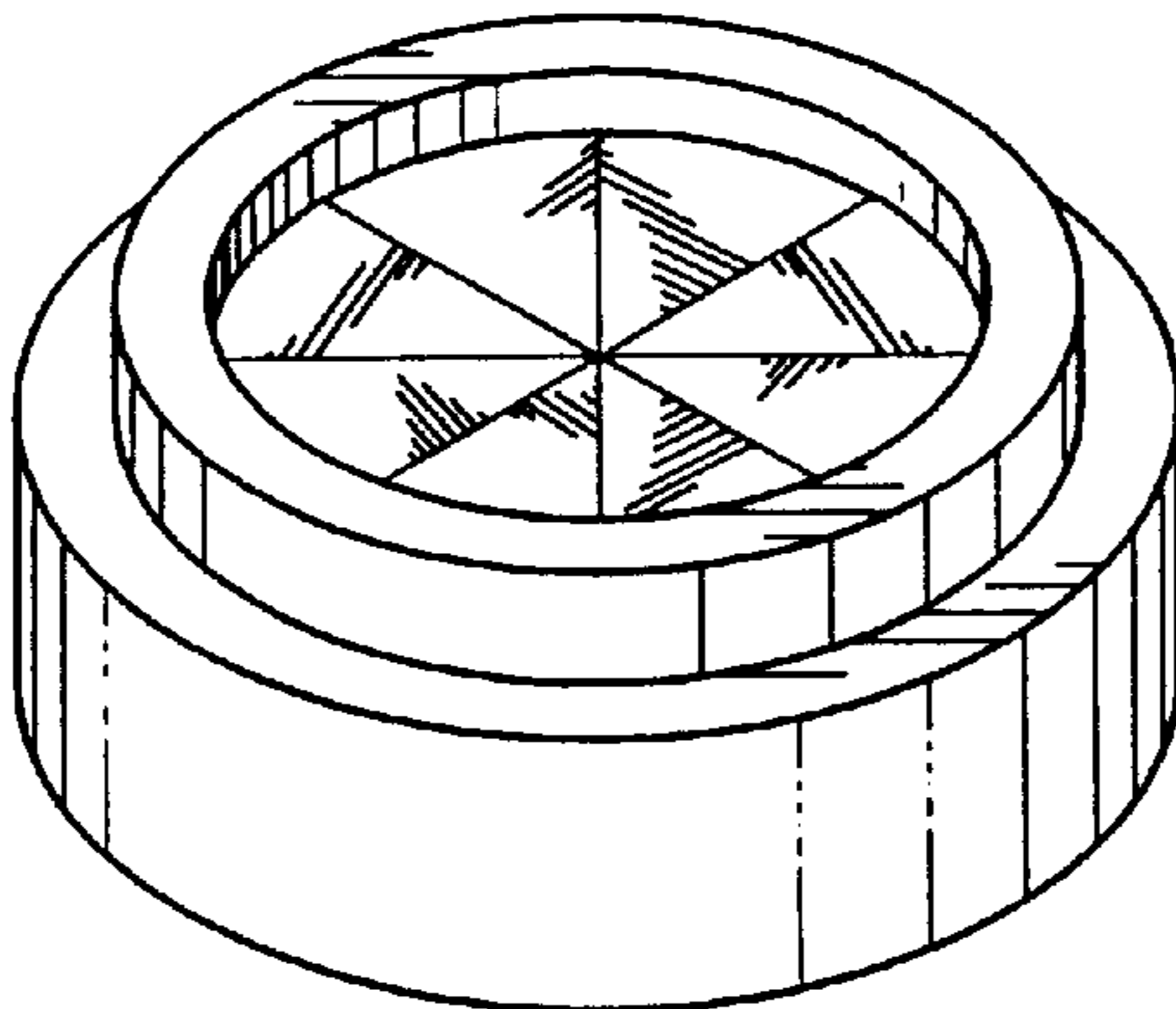


FIG. 23 is a cross-sectional view of line 23—23 of FIG. 21;
FIG. 24 is a perspective view of my a jewelry componet showing a seventh embodiment of my new design;

FIG. 25 is a side elevational view, of which the opposite view is a mirror image;

FIG. 26 is a right side view of FIG. 25, of which the opposite view is a mirror image;

FIG. 27 is a perspective view of an eighth embodiment of my jewelry component shown in a position of use, the broken line showing of the adjoining components is for illustrative purposes only and forms no part of the claimed design;

FIG. 28 is a perspective view;

FIG. 29 is a top plan view;

FIG. 30 is a side elevational view, of which the opposite view is a mirror image;

FIG. 31 is a cross-sectional view of line 31—31 of FIG. 29;

FIG. 32 is a perspective view of my a jewelry component showing a ninth embodiment of my new design;

FIG. 33 is a side elevational view, of which the opposite view is a mirror image; and,

FIG. 34 is a right side view of FIG. 33, of which the opposite view is a mirror image.

The surface(s) or portion(s) of the article not shown in the drawing or described in the specification form(s) no part of the claimed design.

1 Claim, 9 Drawing Sheets

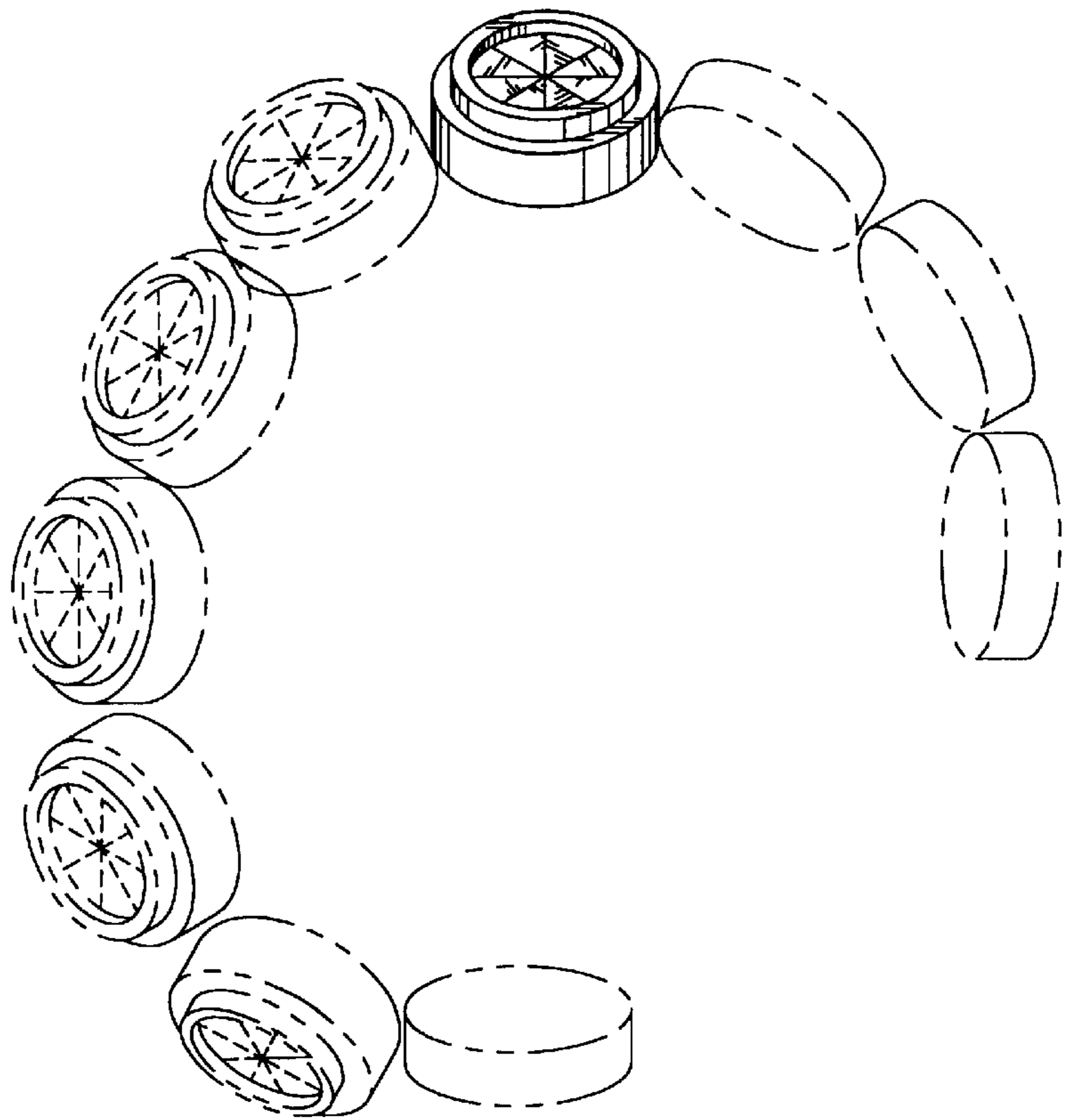


FIG. 1

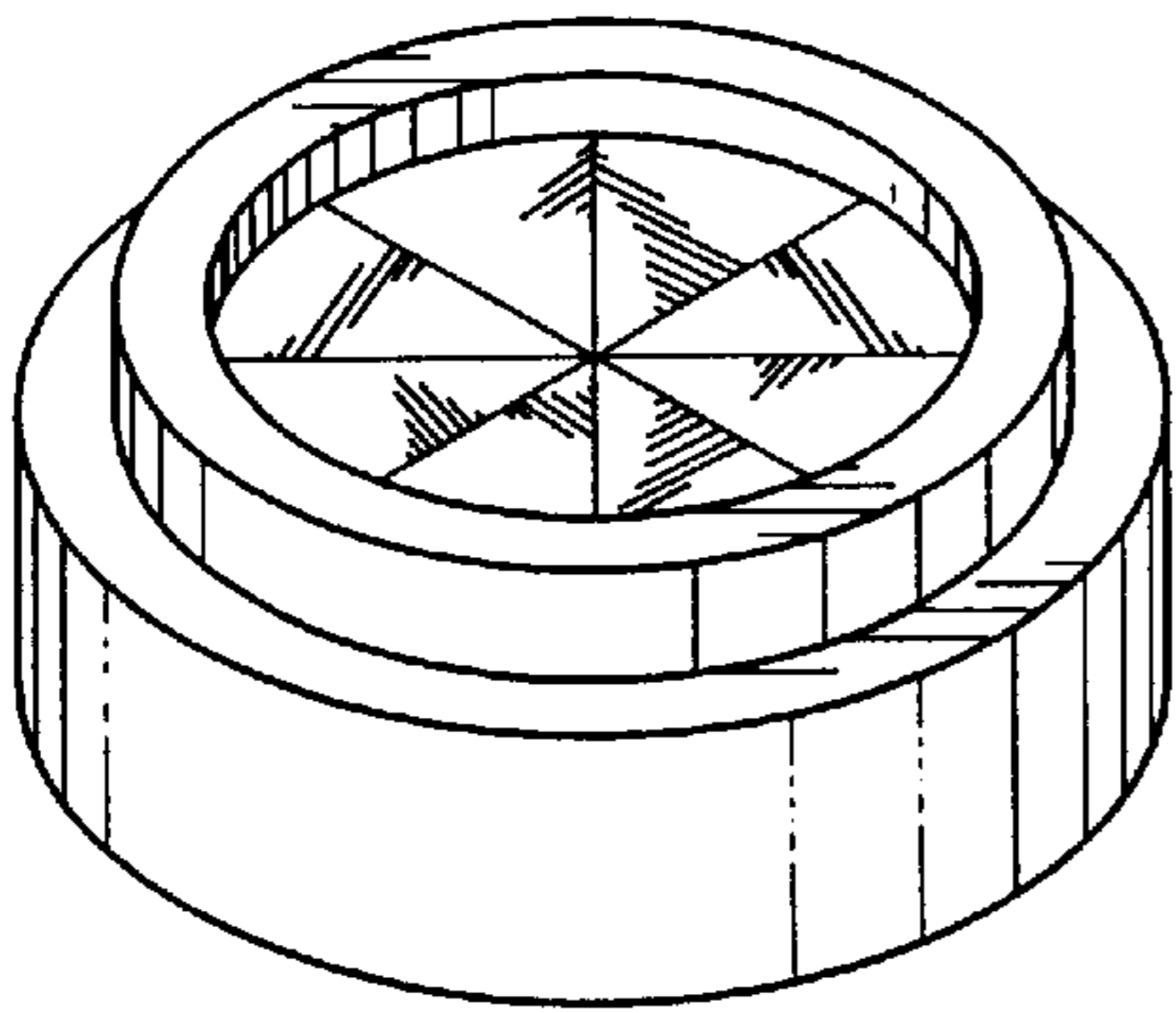


FIG. 2

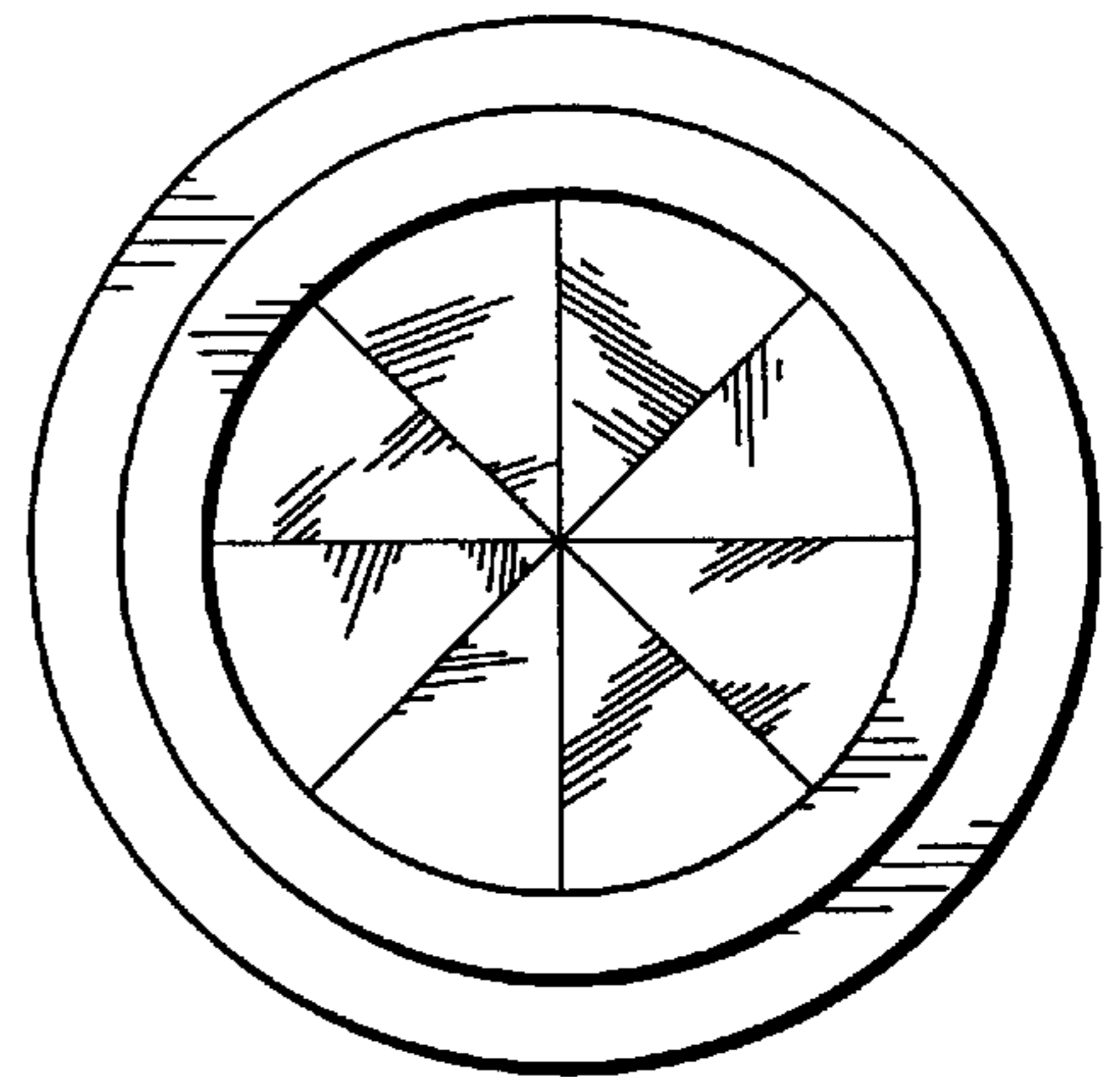


FIG. 3

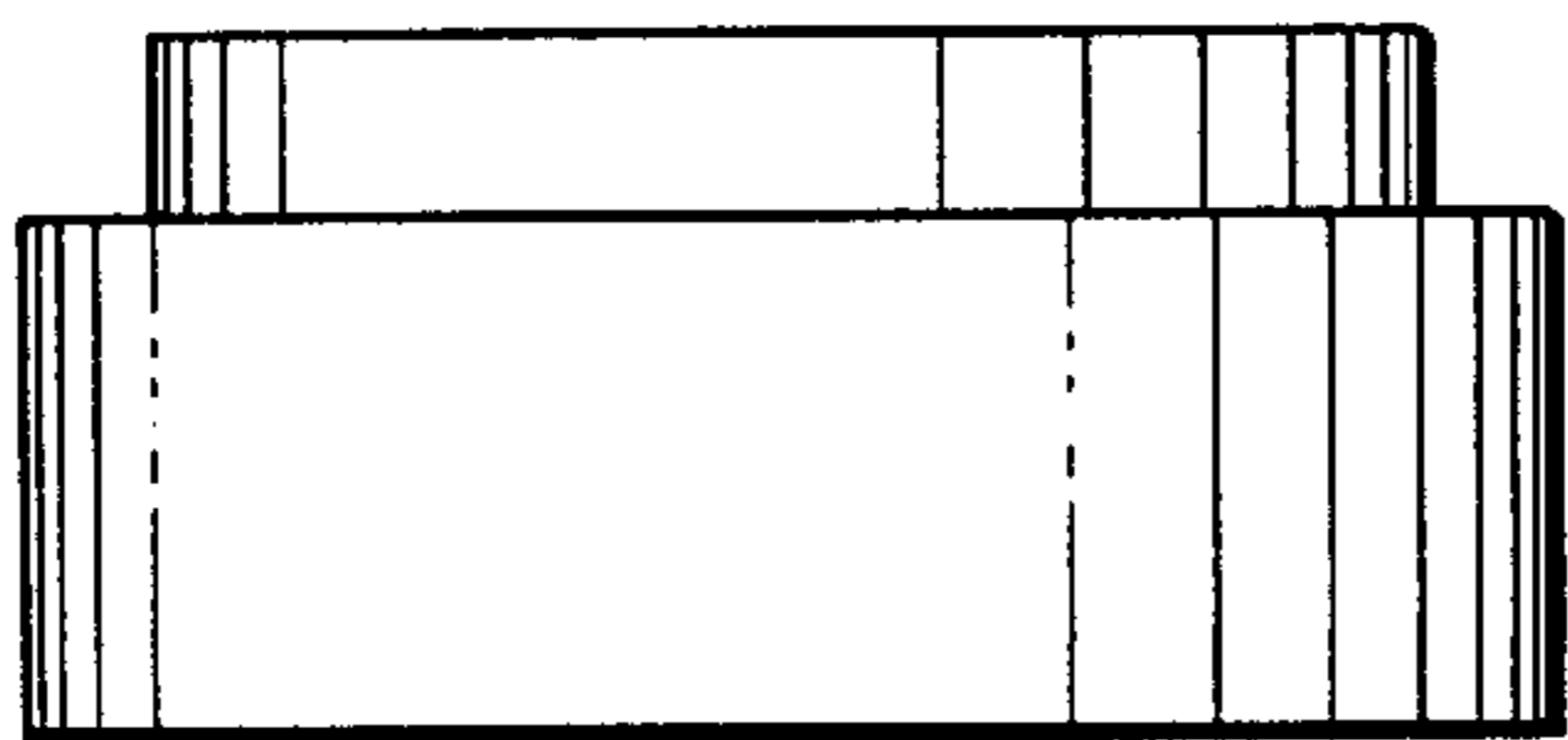


FIG. 4

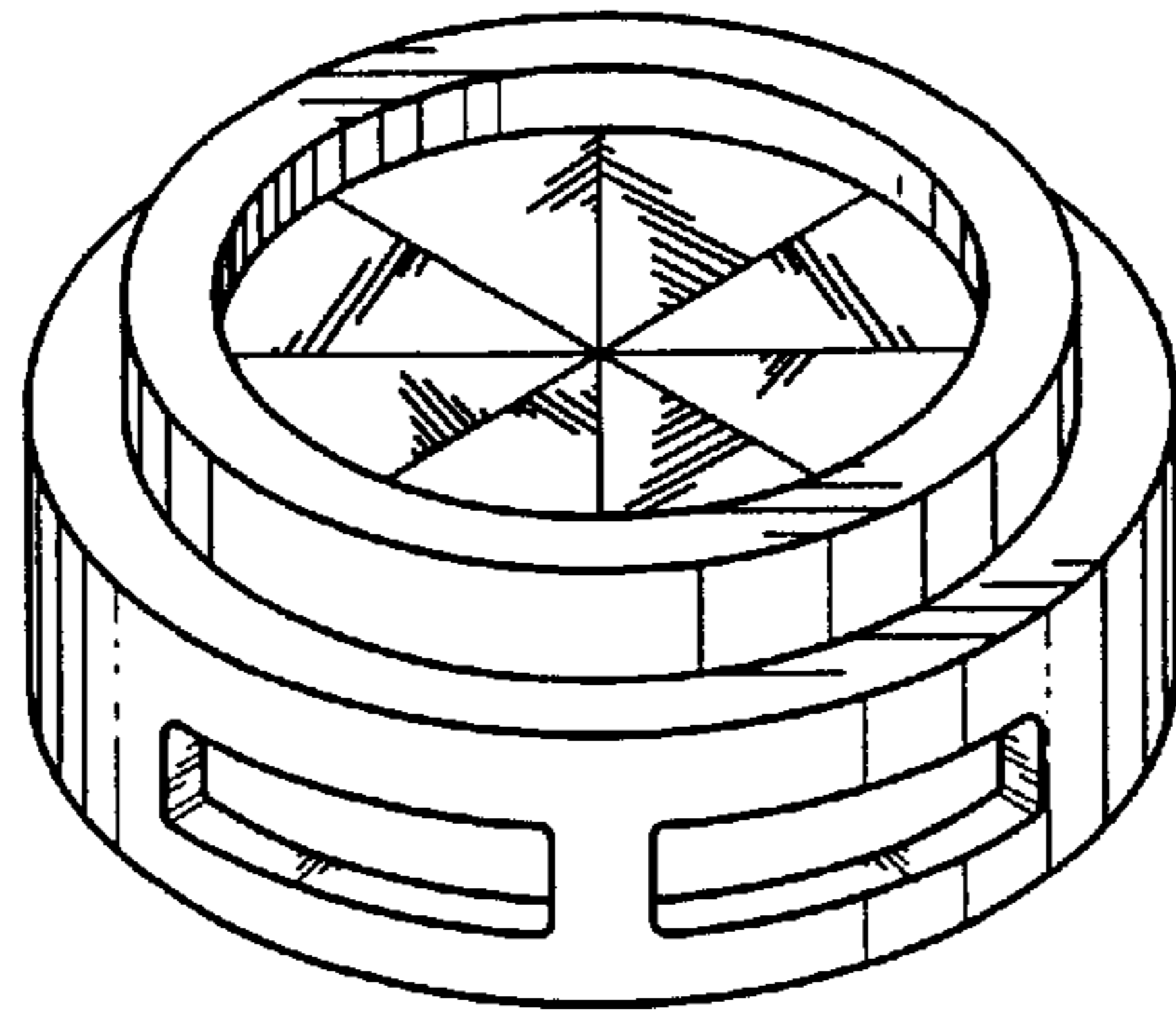


FIG. 5

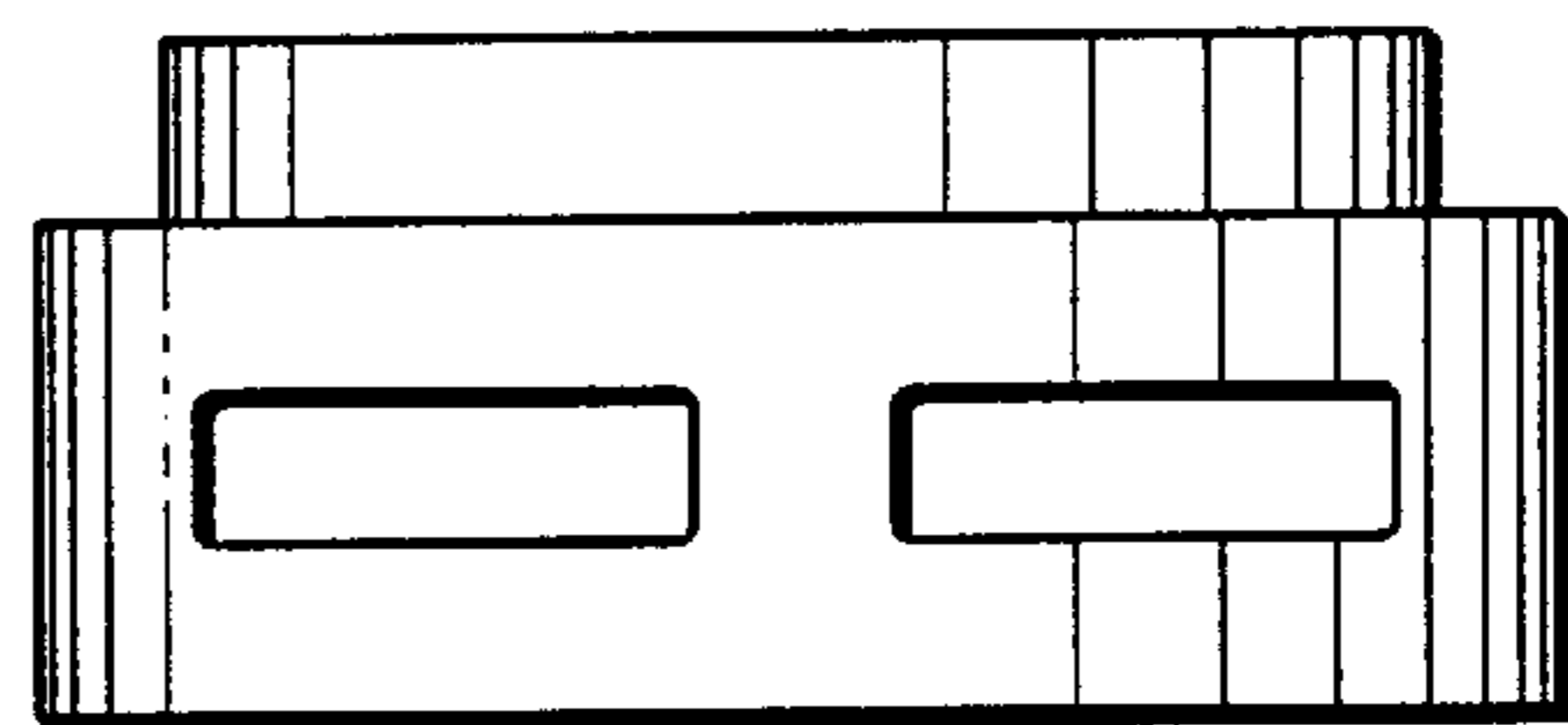


FIG. 6

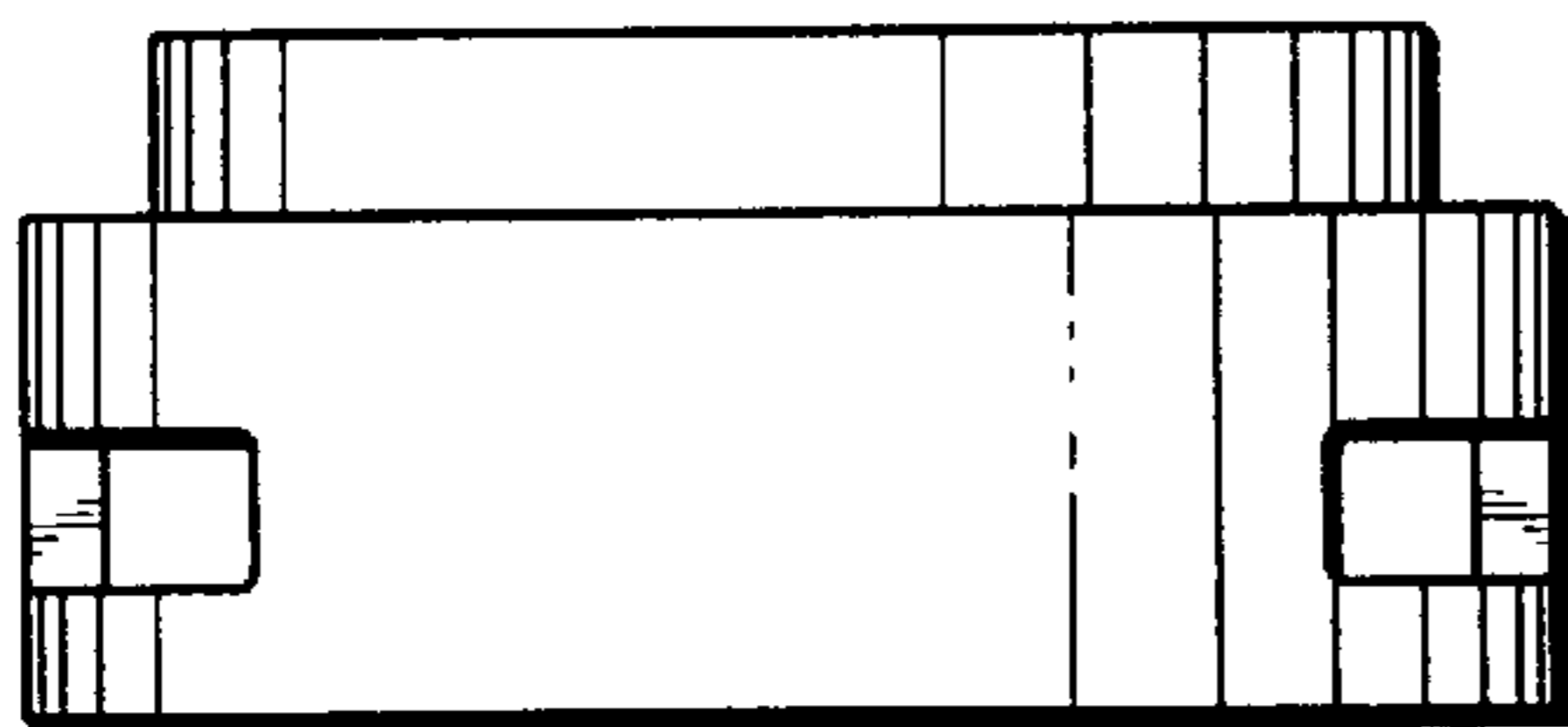


FIG. 7

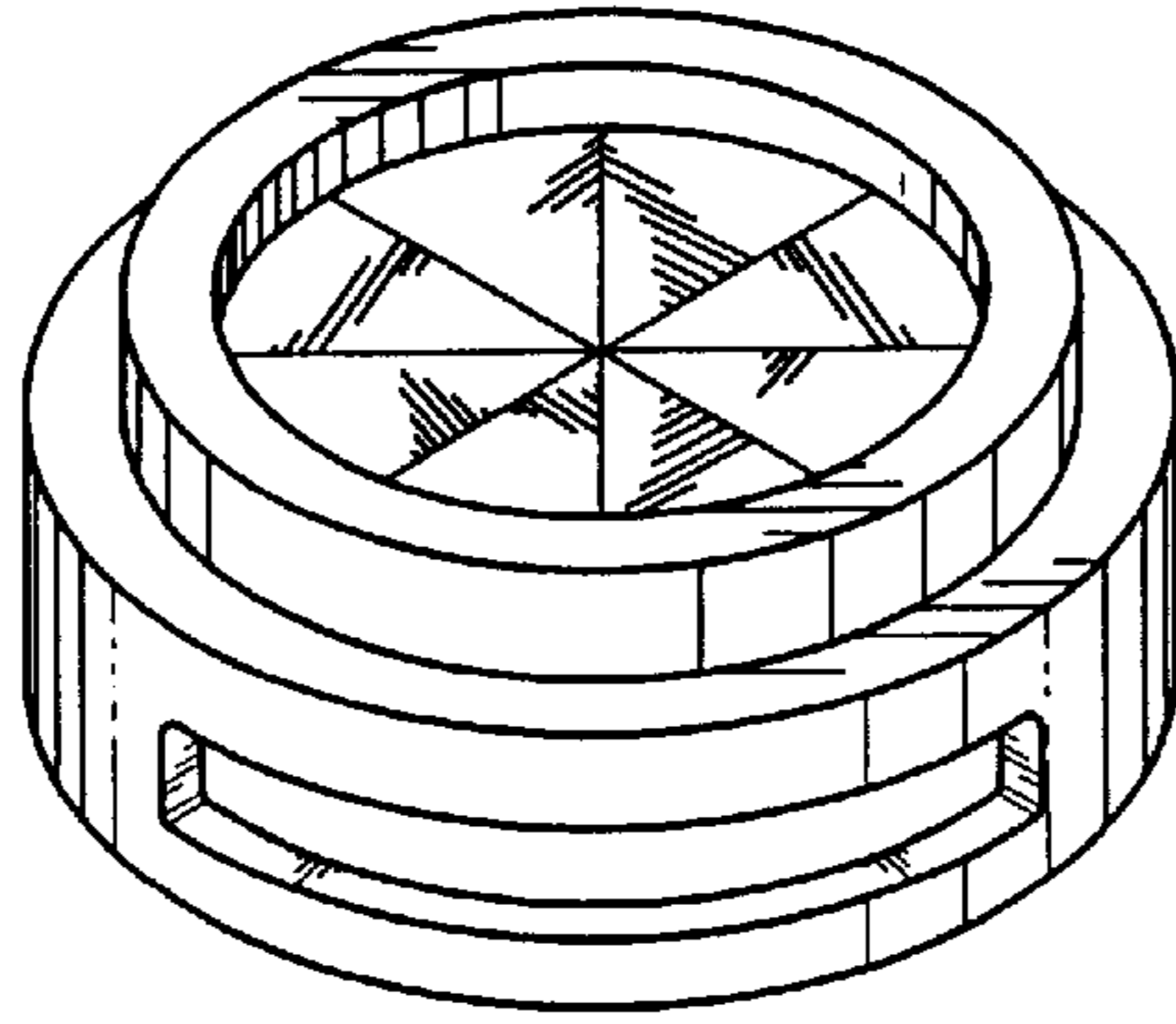


FIG. 8

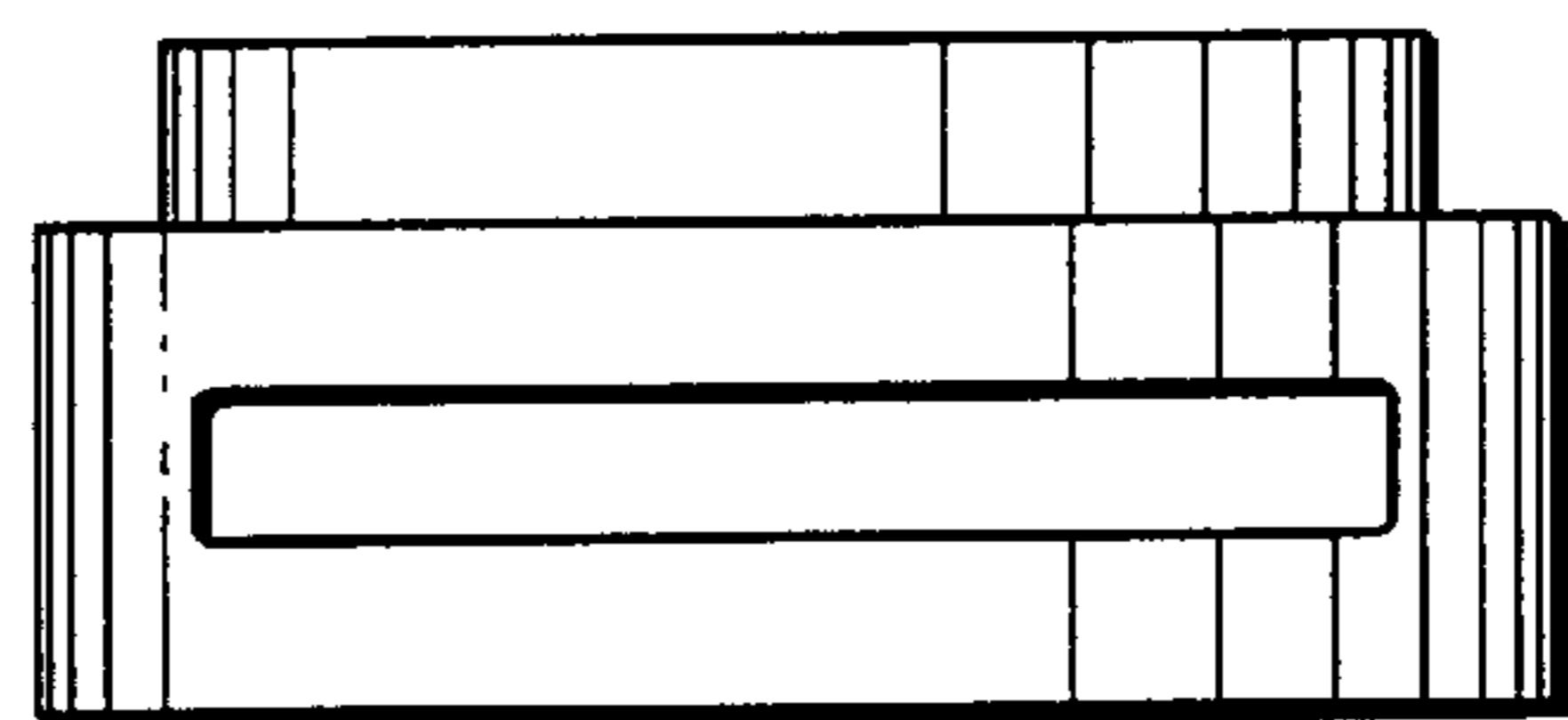


FIG. 9

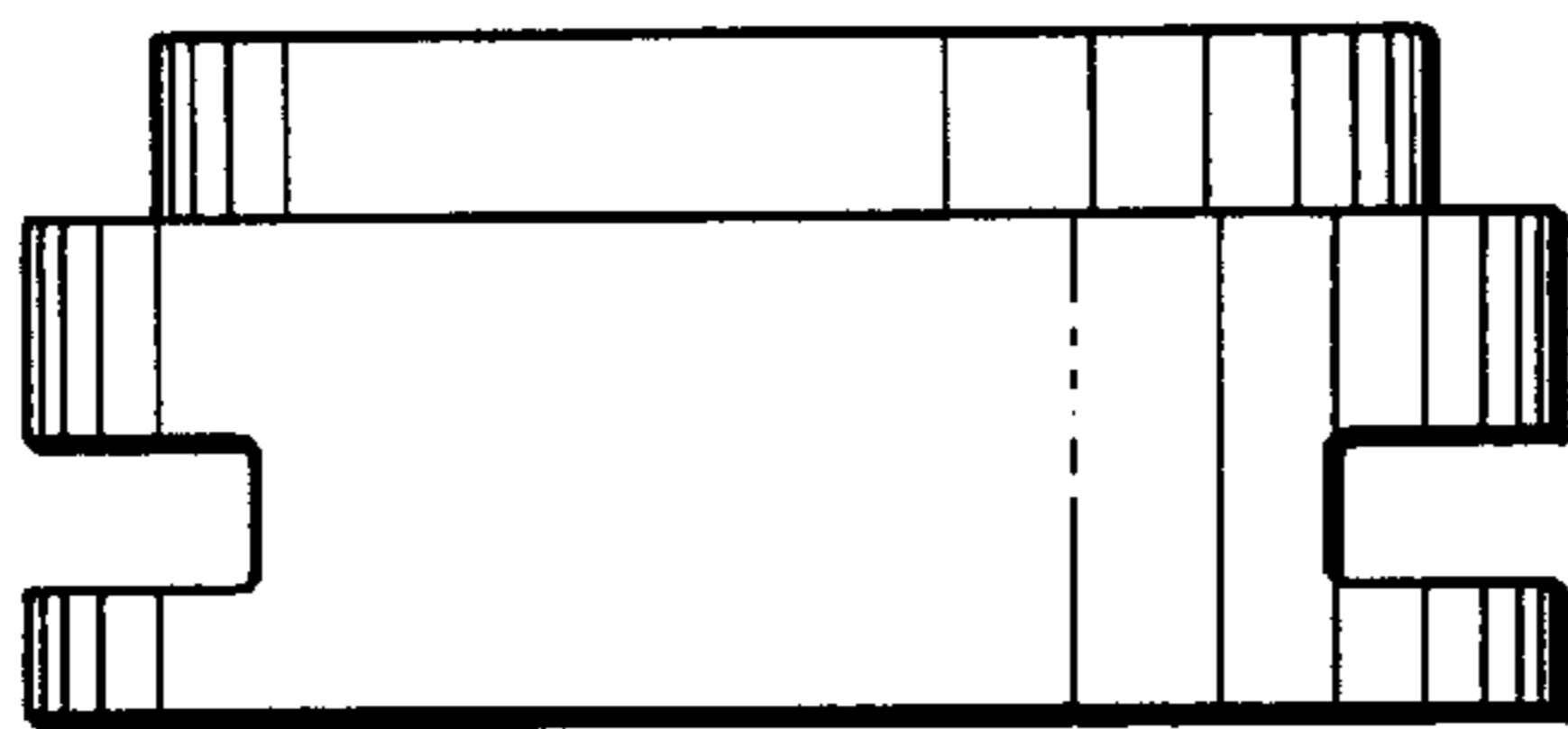


FIG. 10

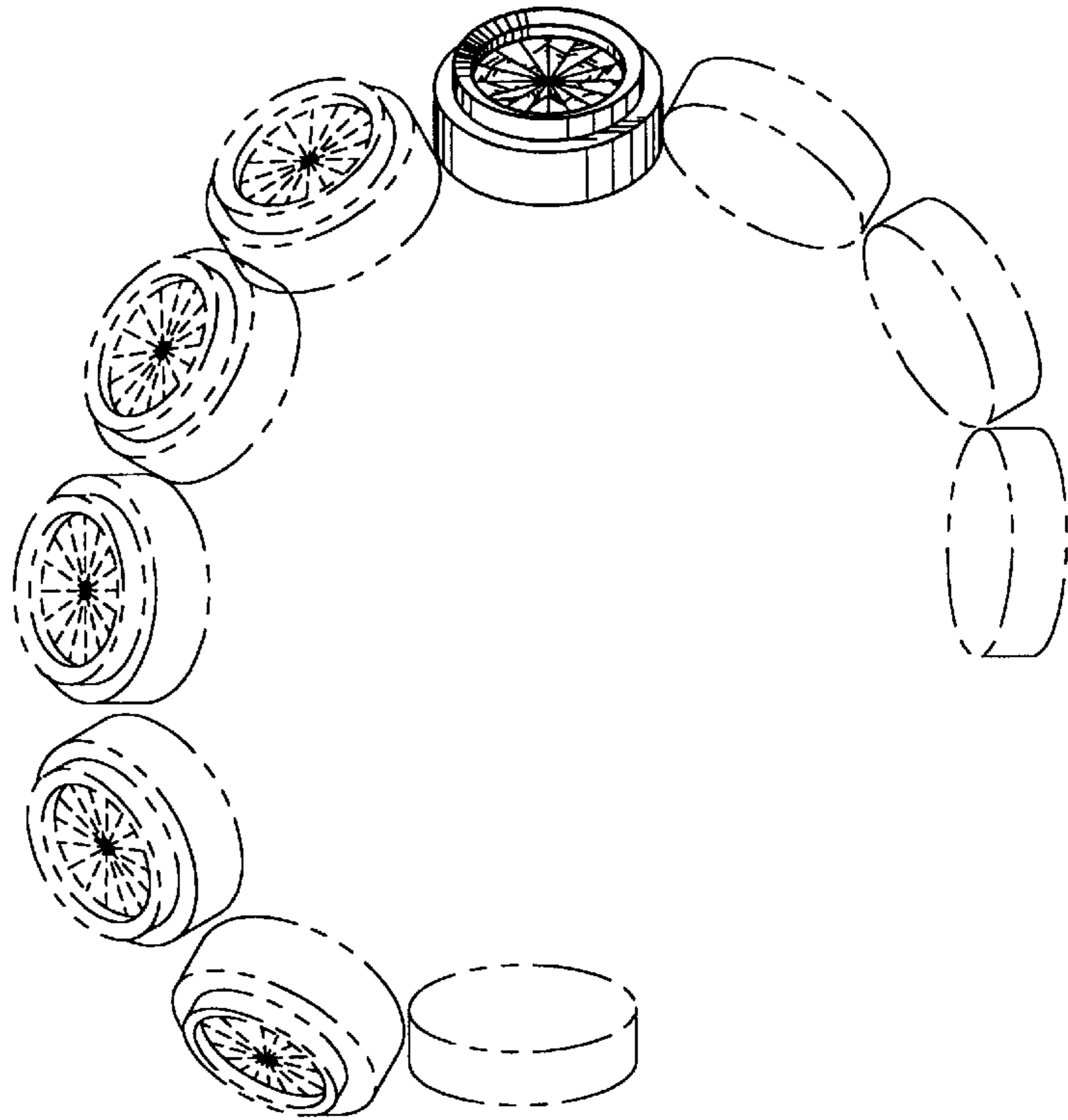


FIG. 11

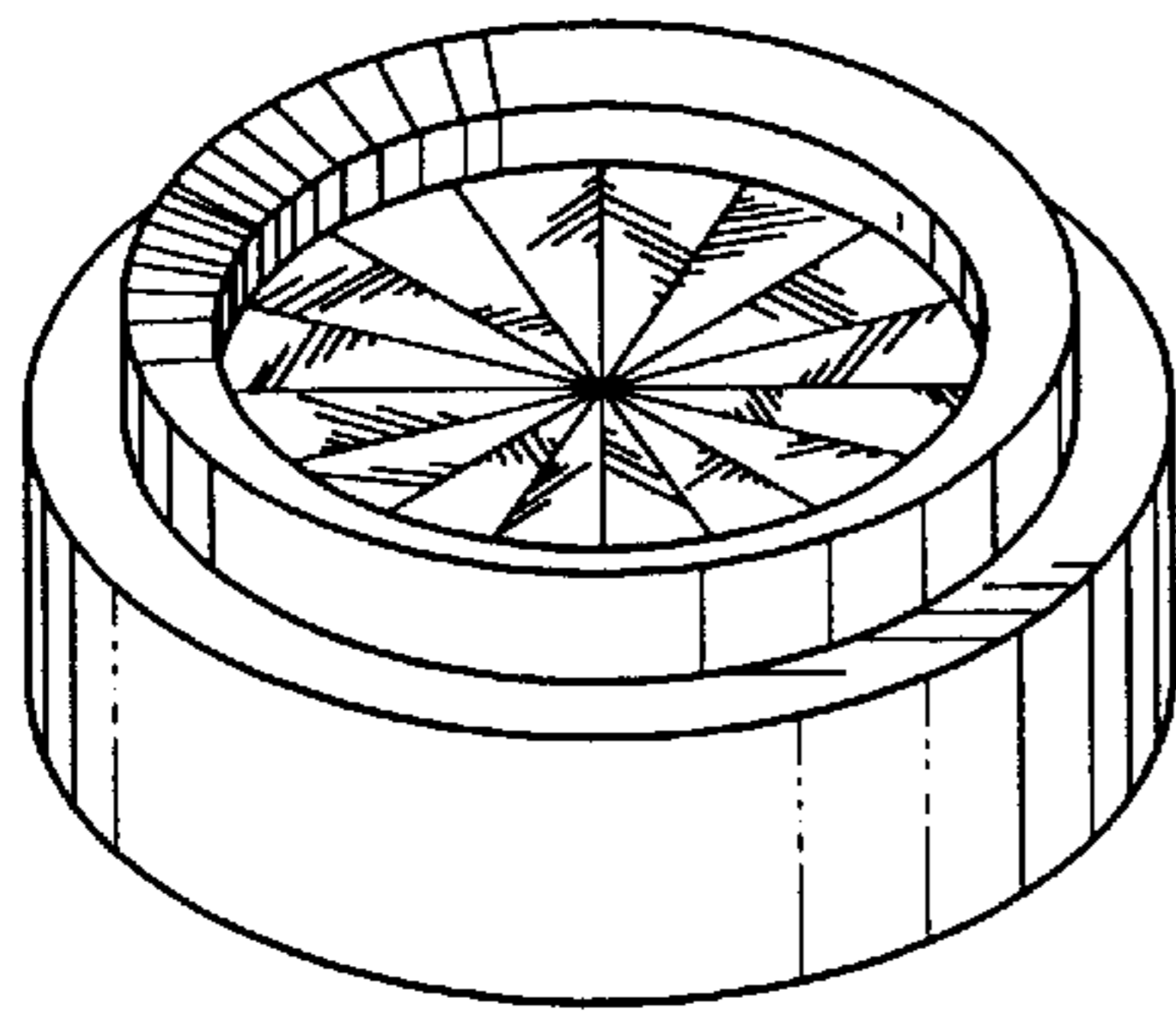


FIG. 12

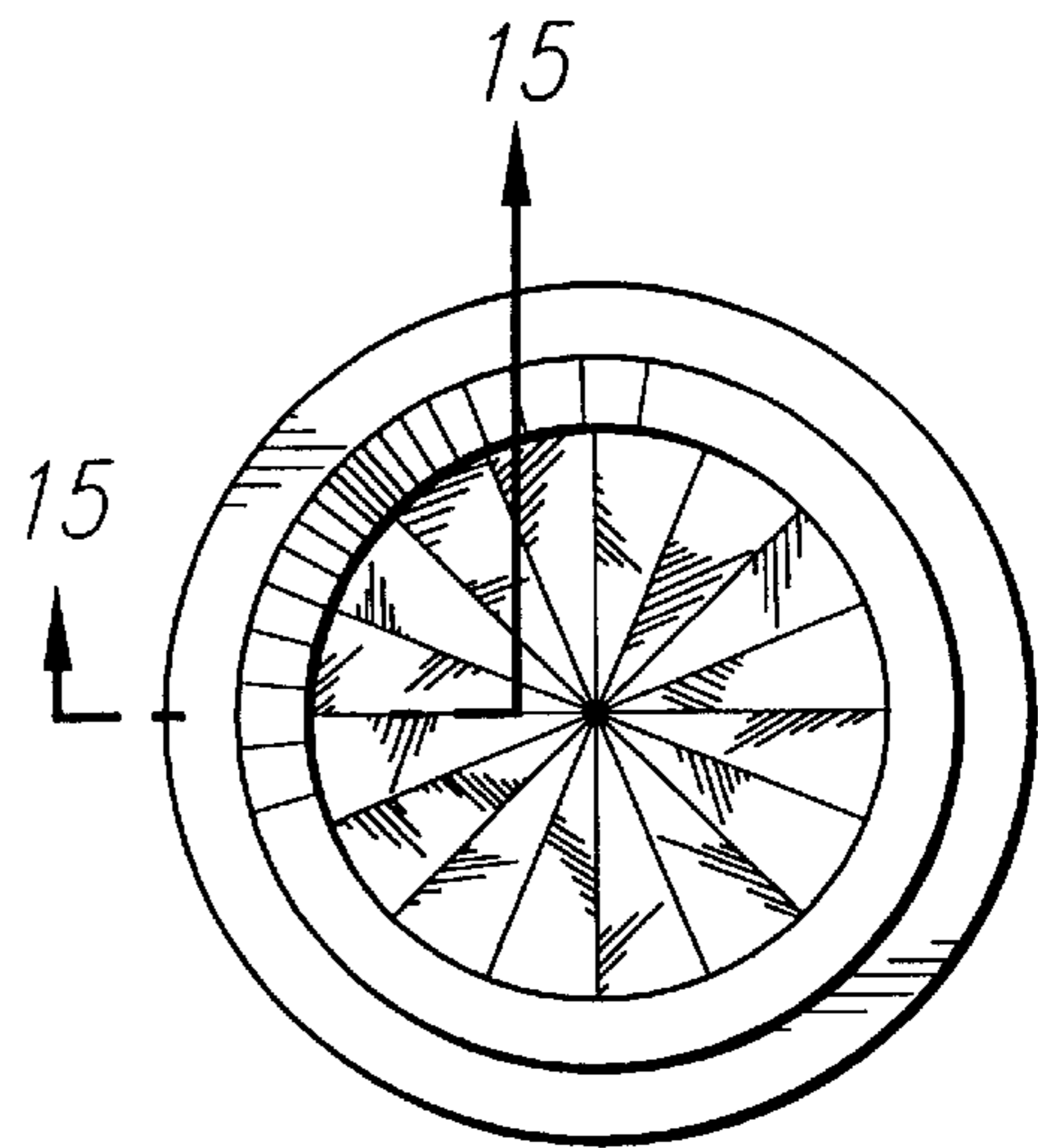


FIG. 13

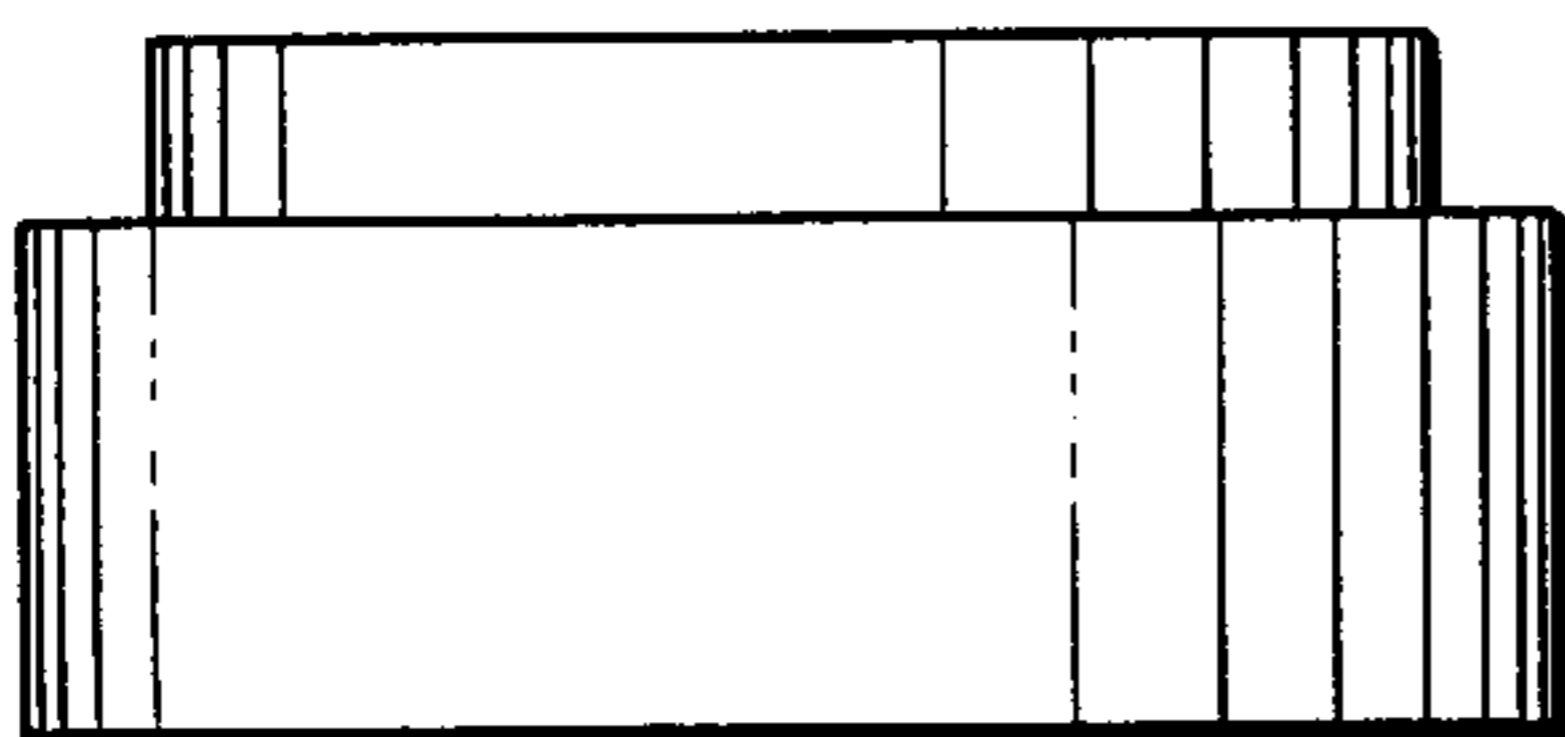


FIG. 14

FIG. 15

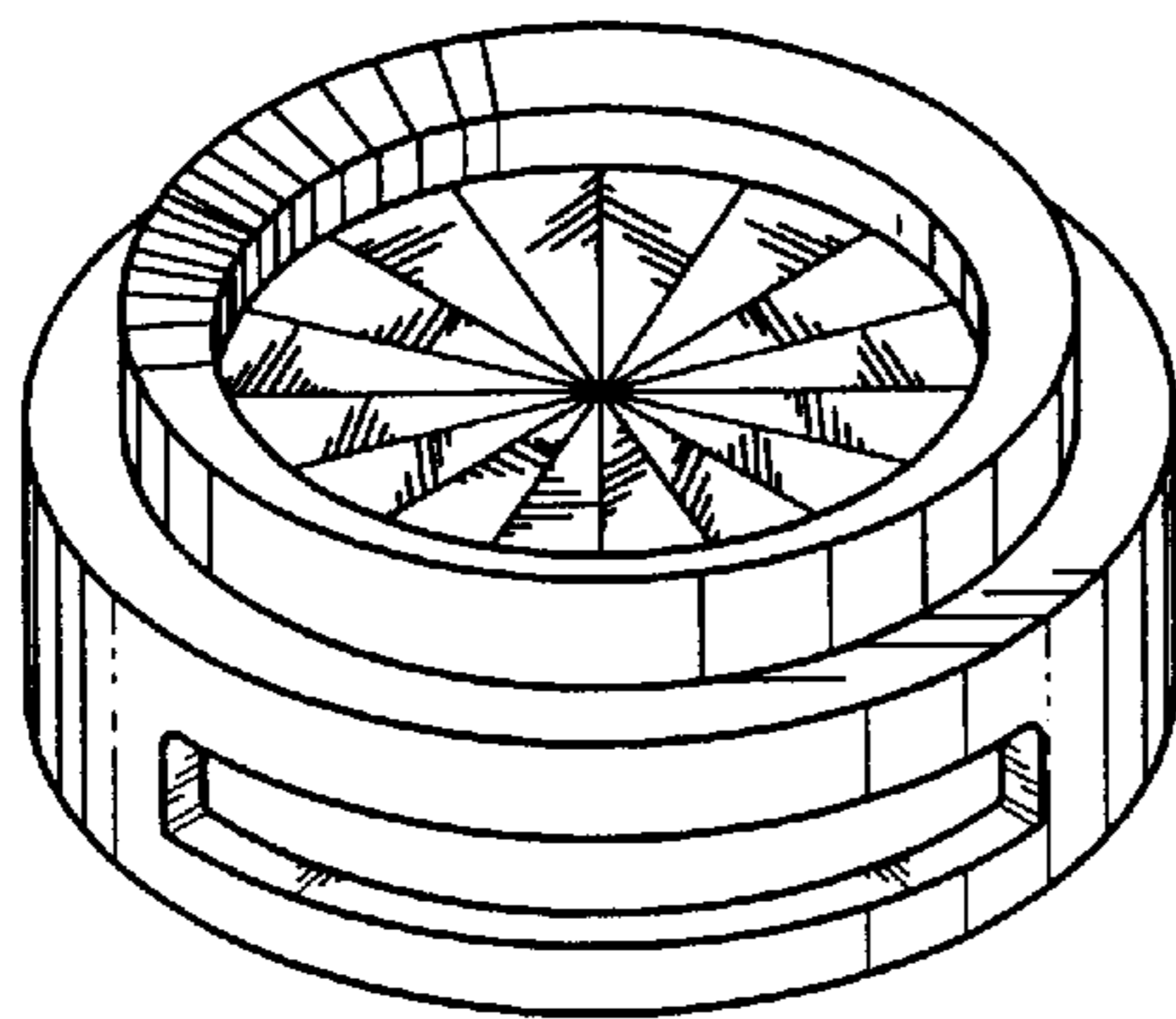
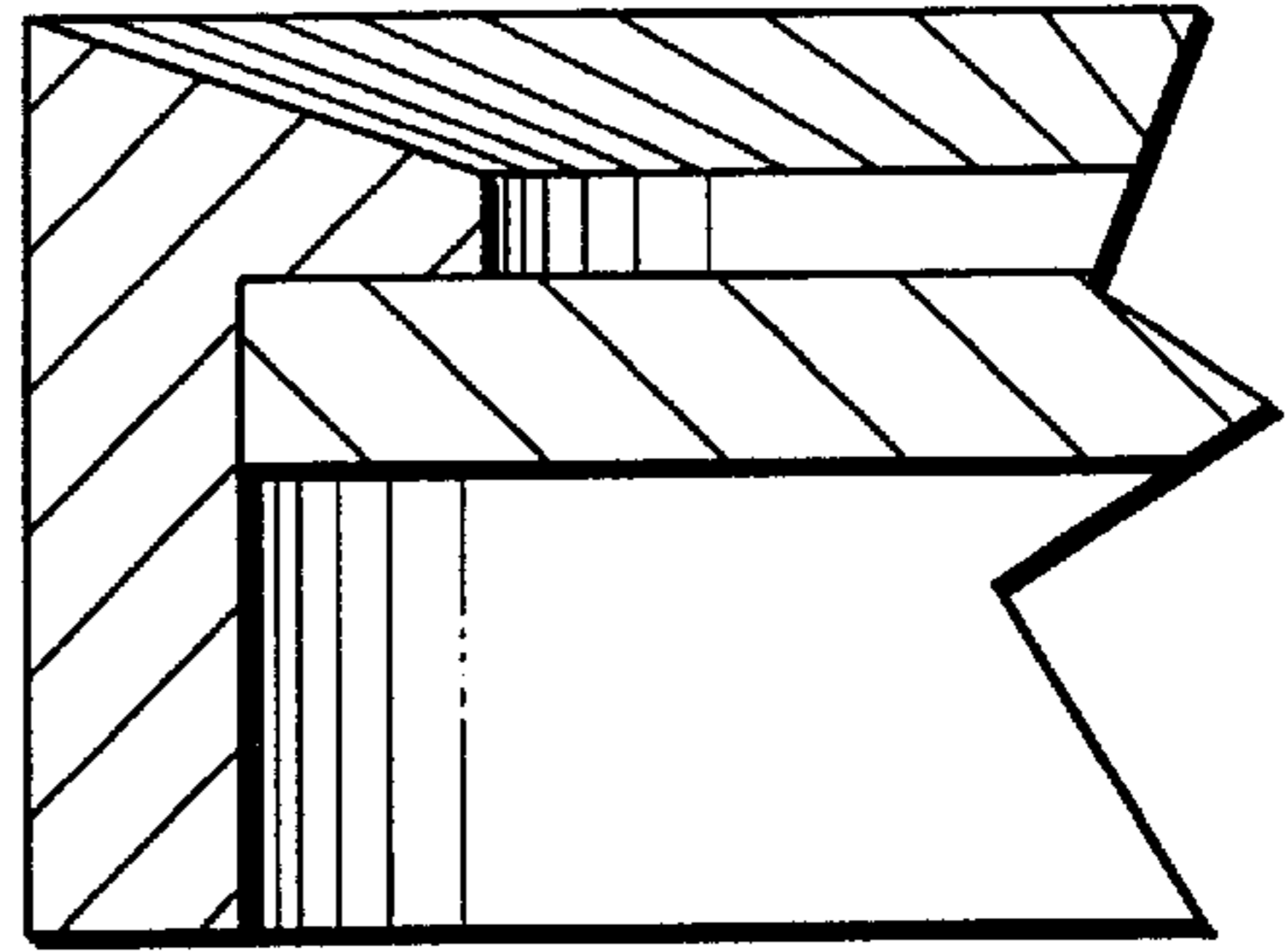


FIG. 17

FIG. 16

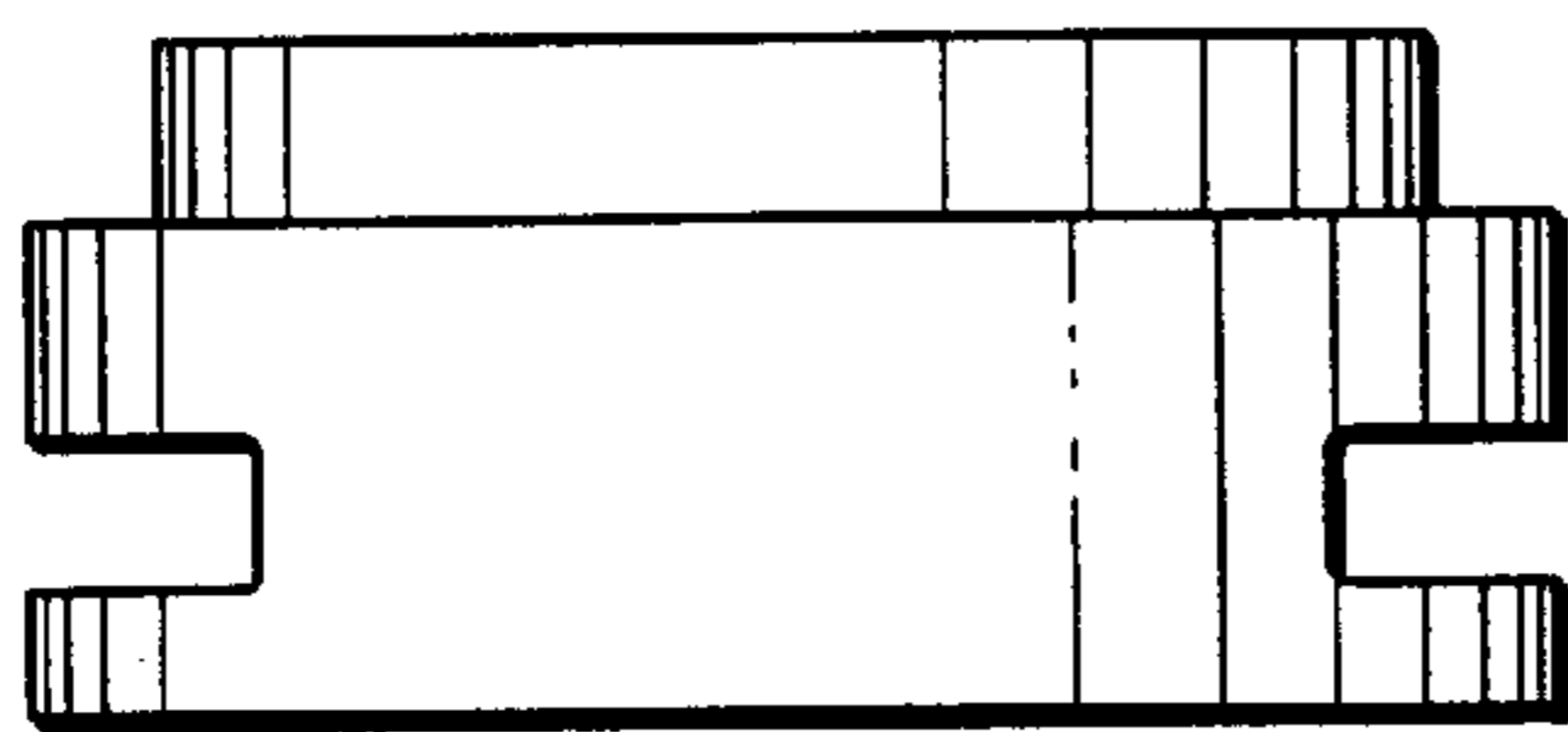
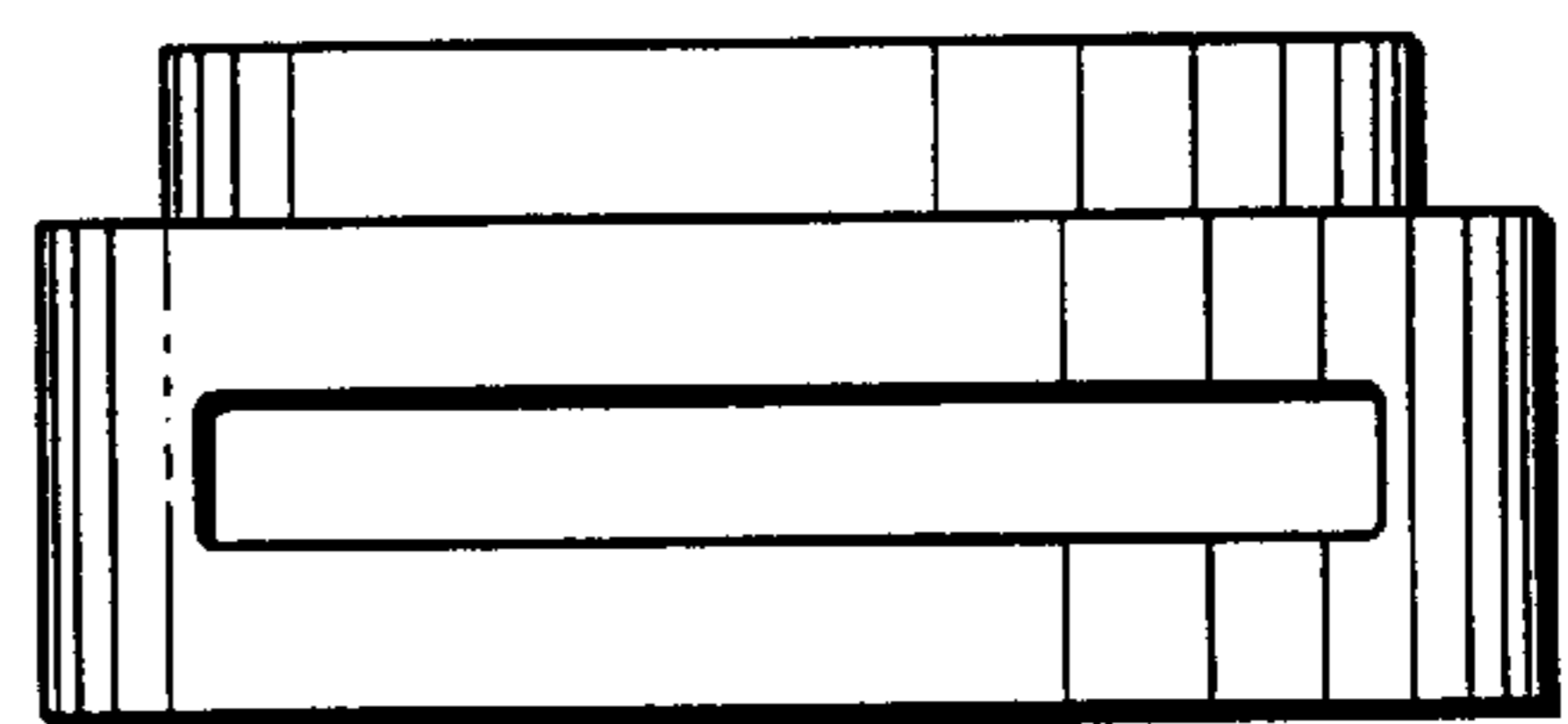


FIG. 18

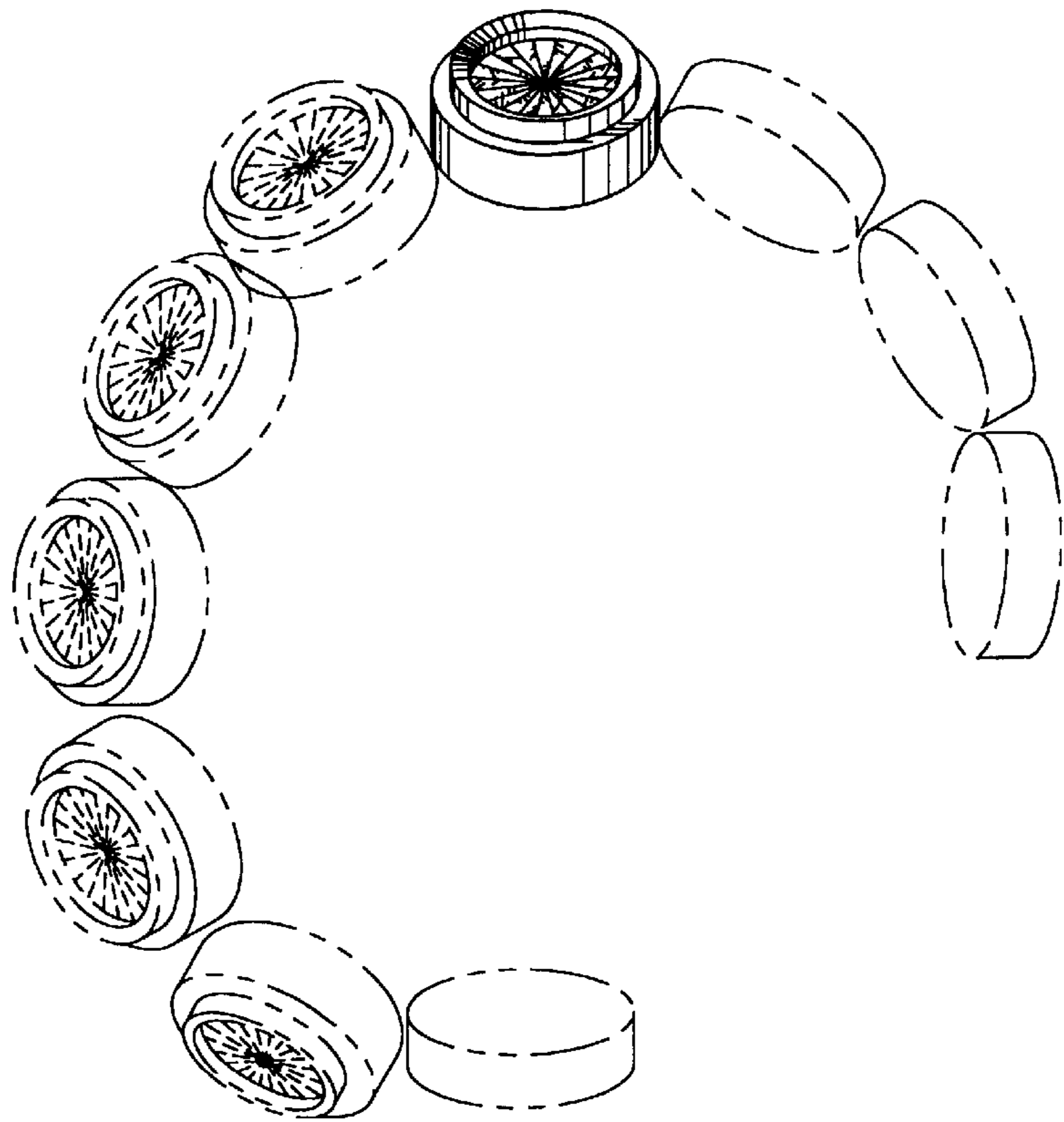


FIG. 19

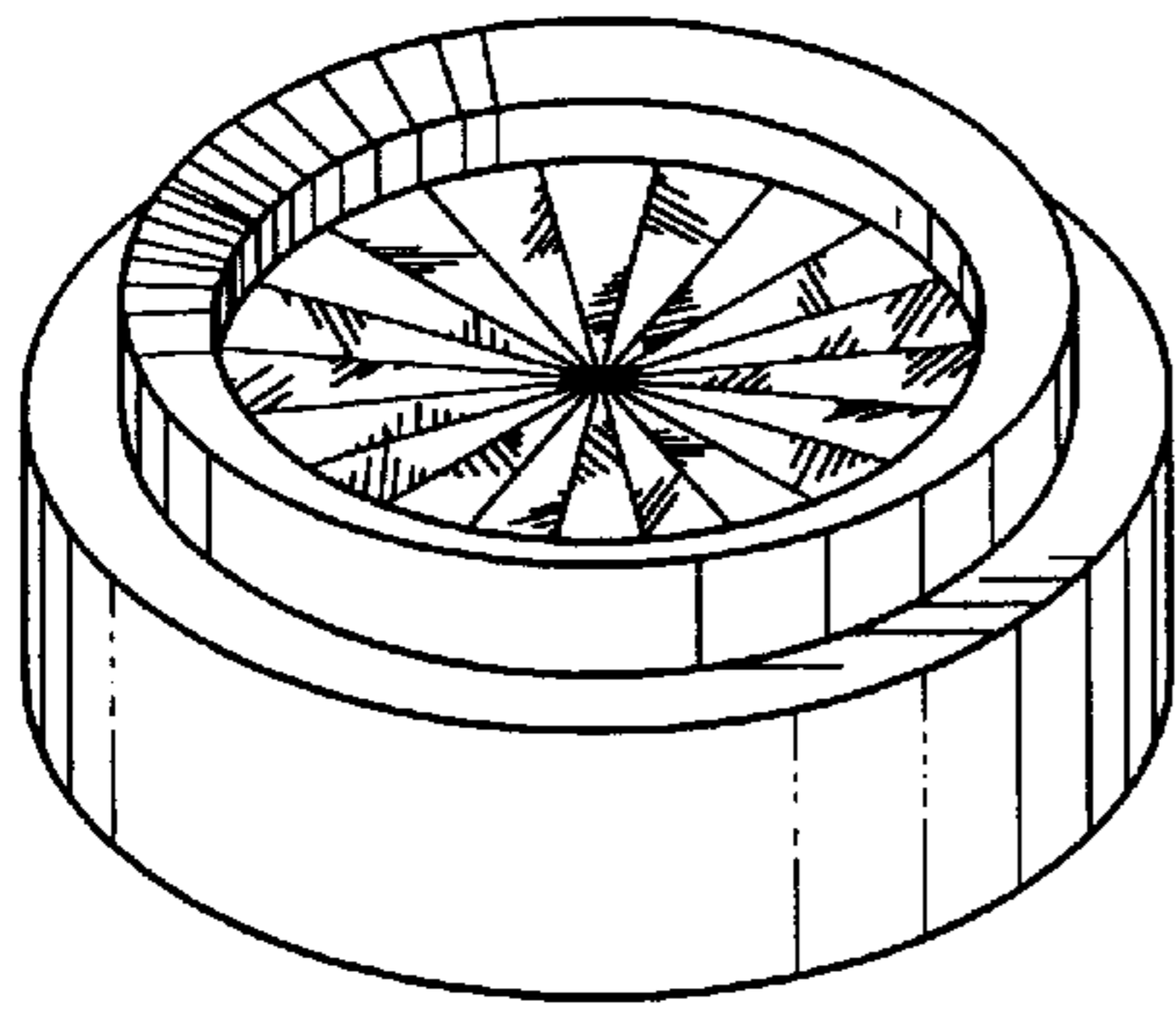


FIG. 20

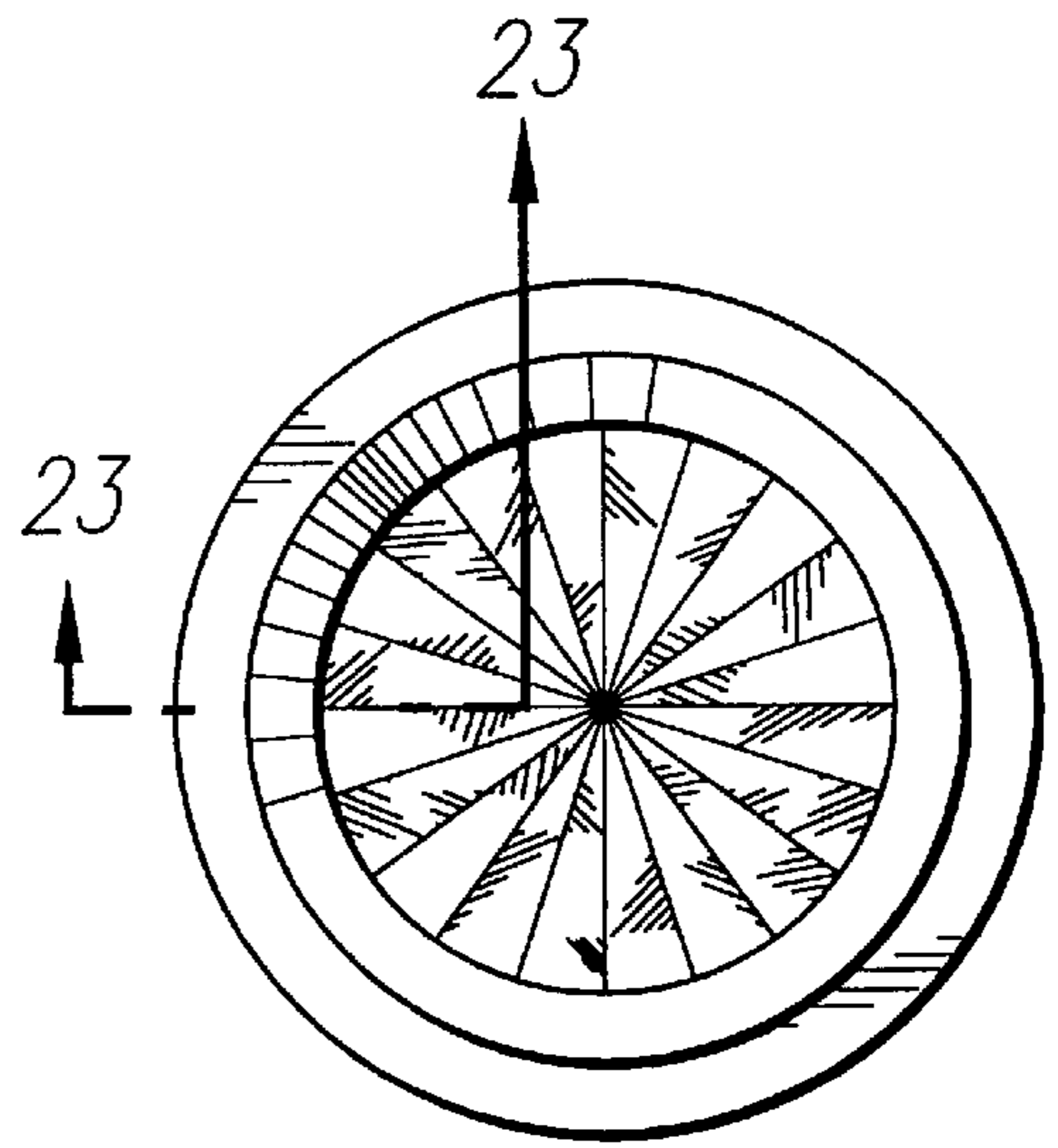


FIG. 21

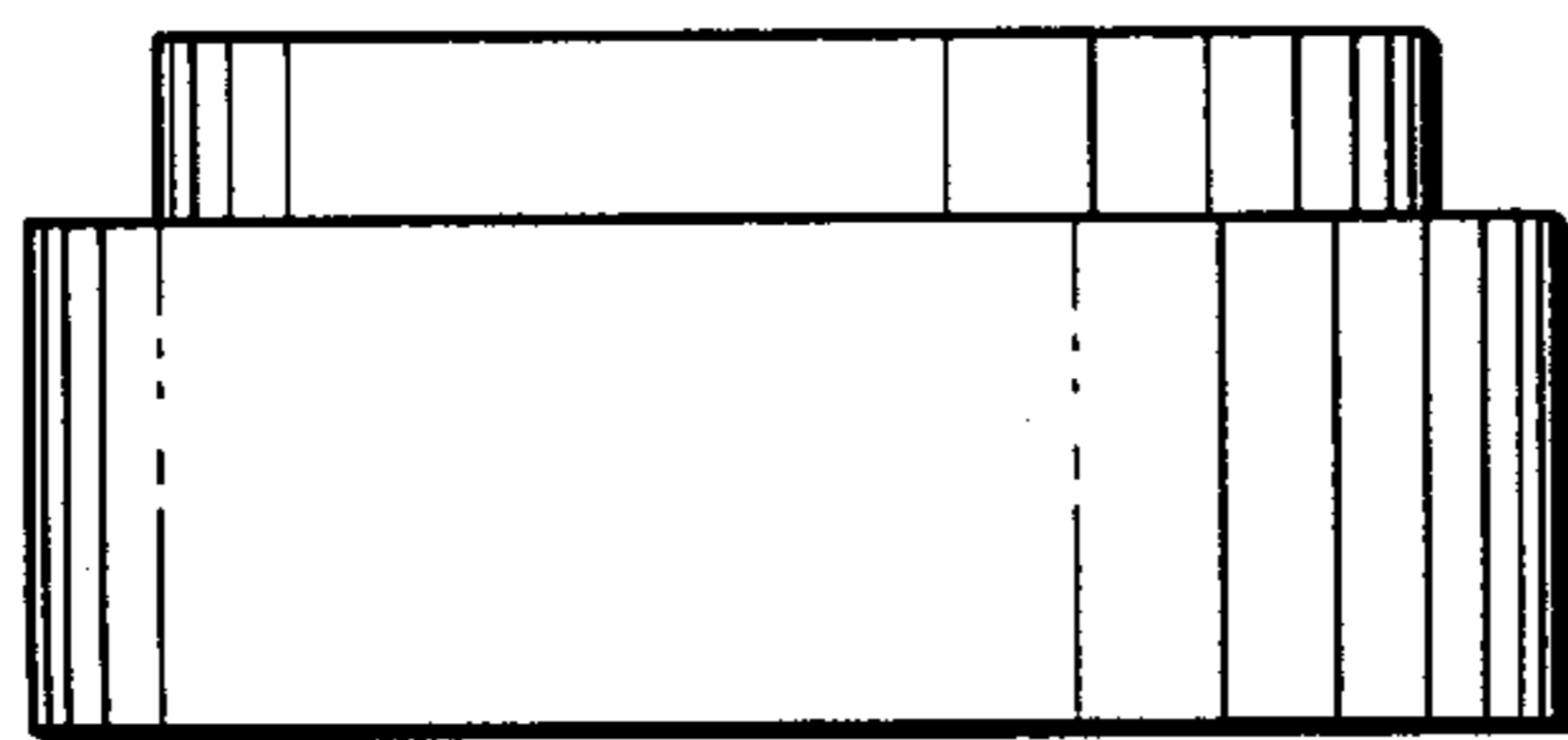


FIG. 22

FIG. 23

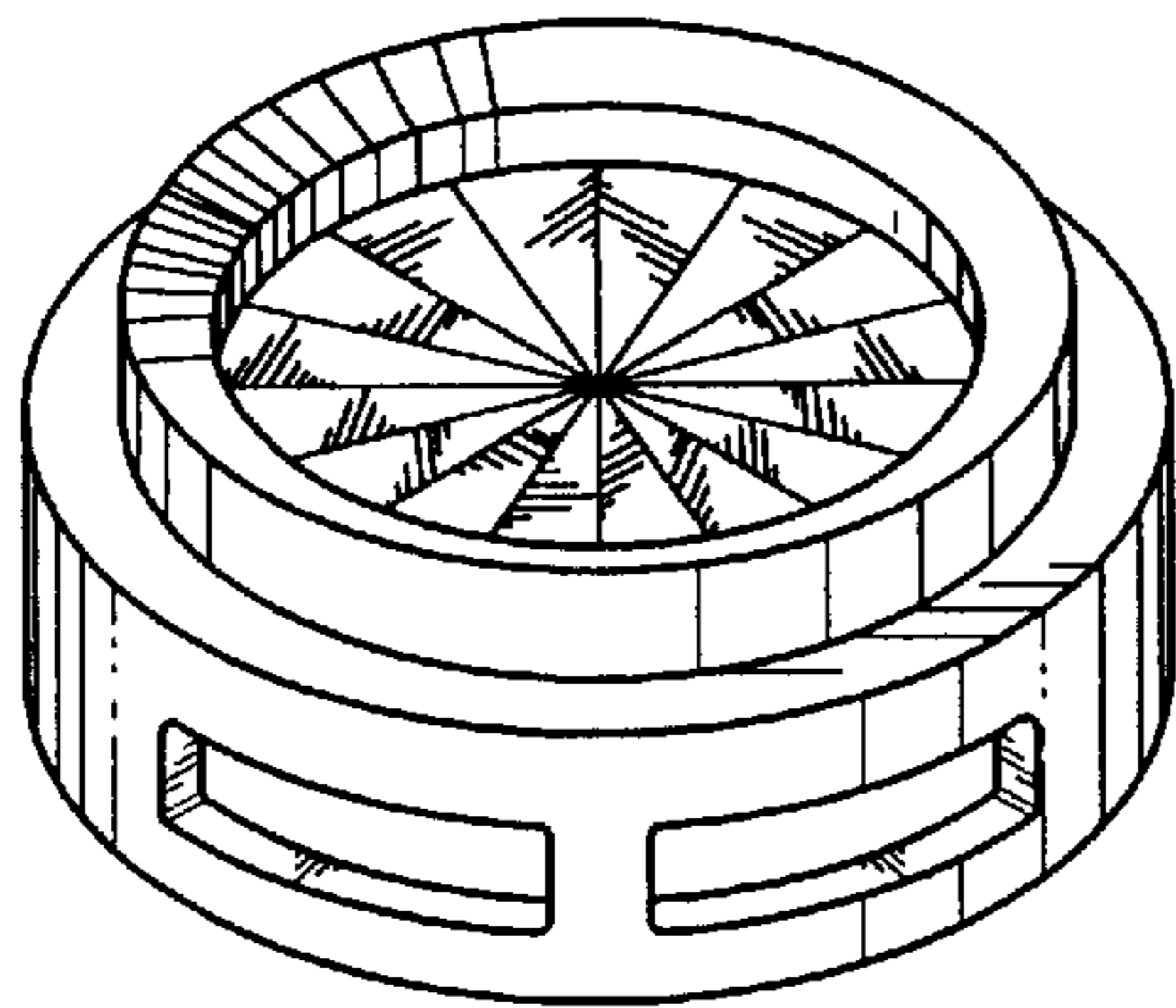
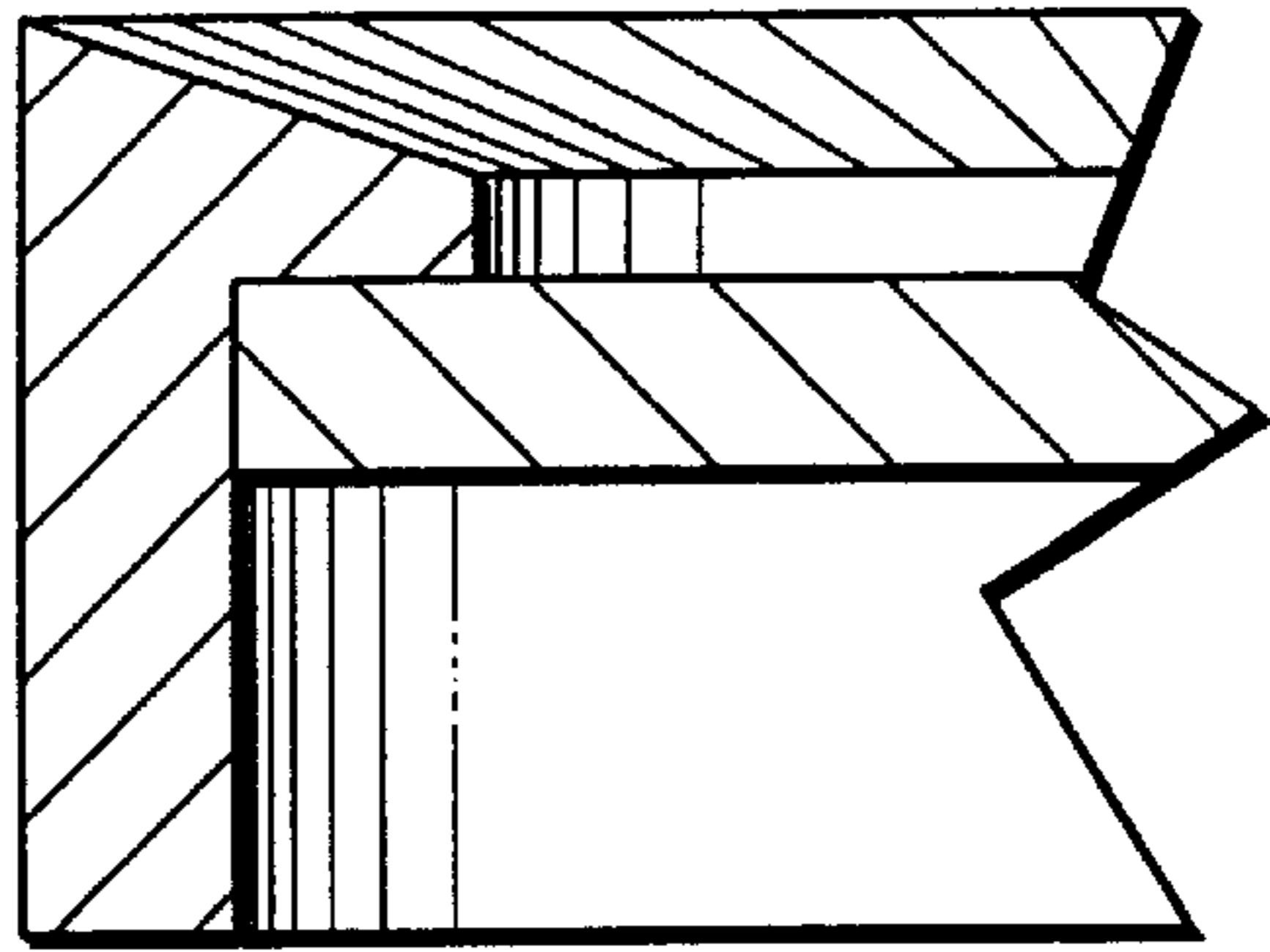


FIG. 24

FIG. 25

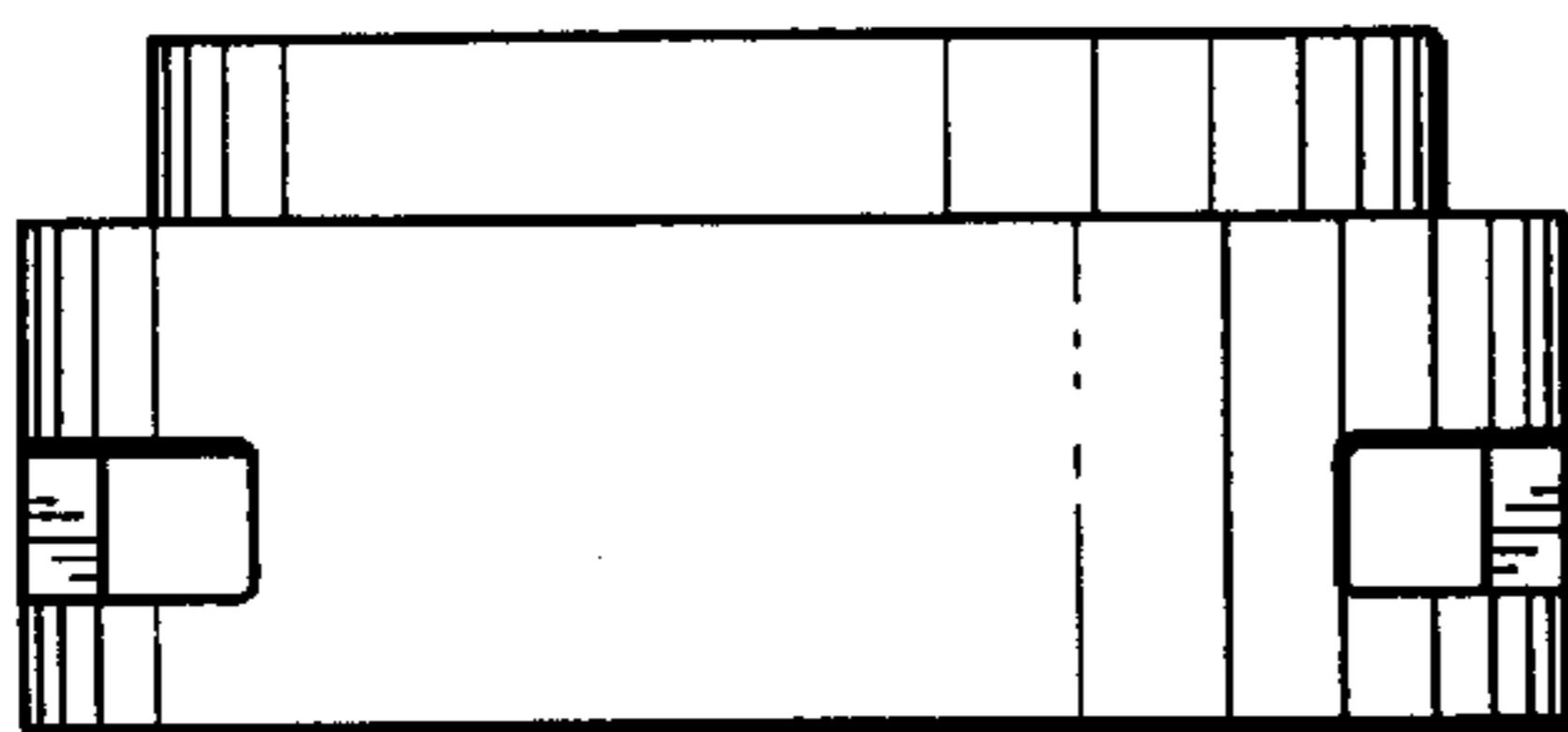
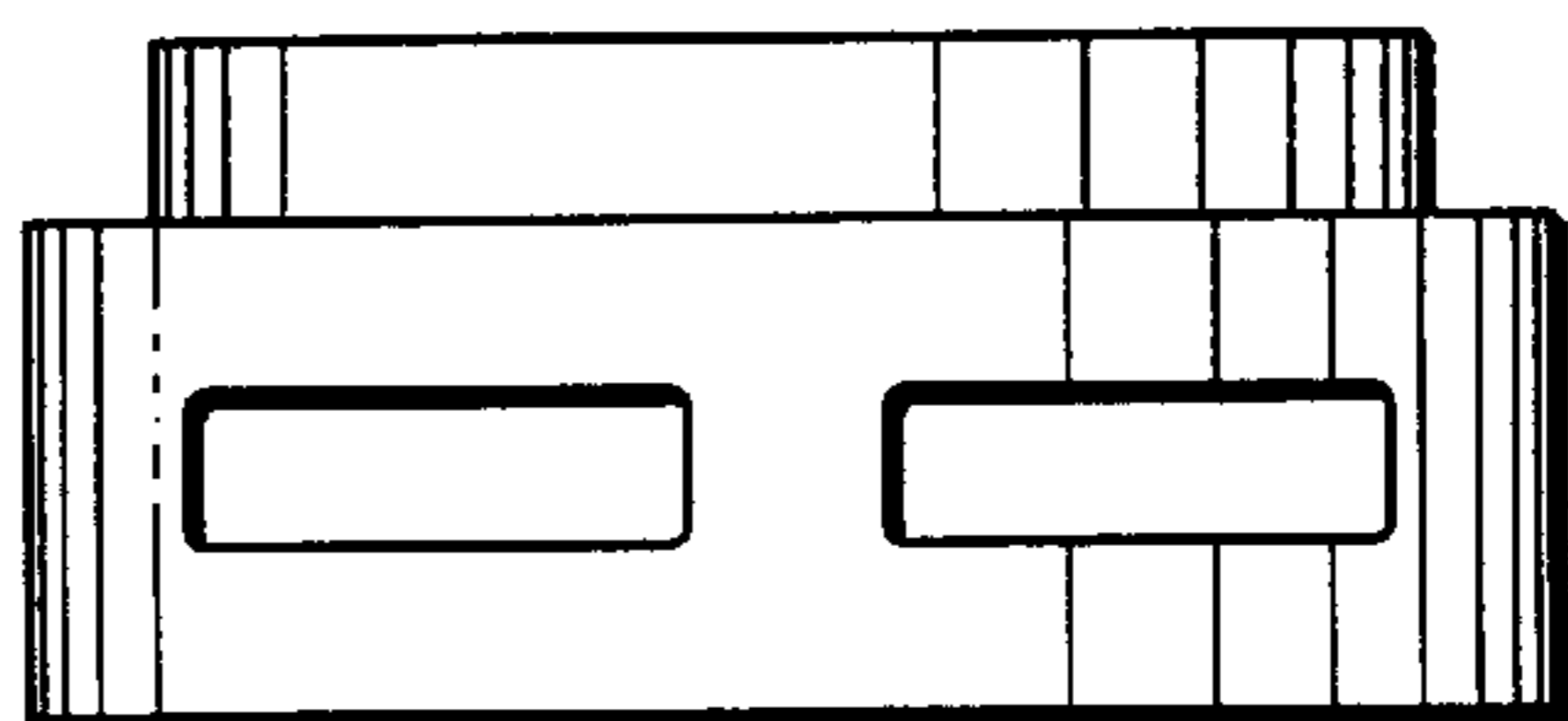


FIG. 26

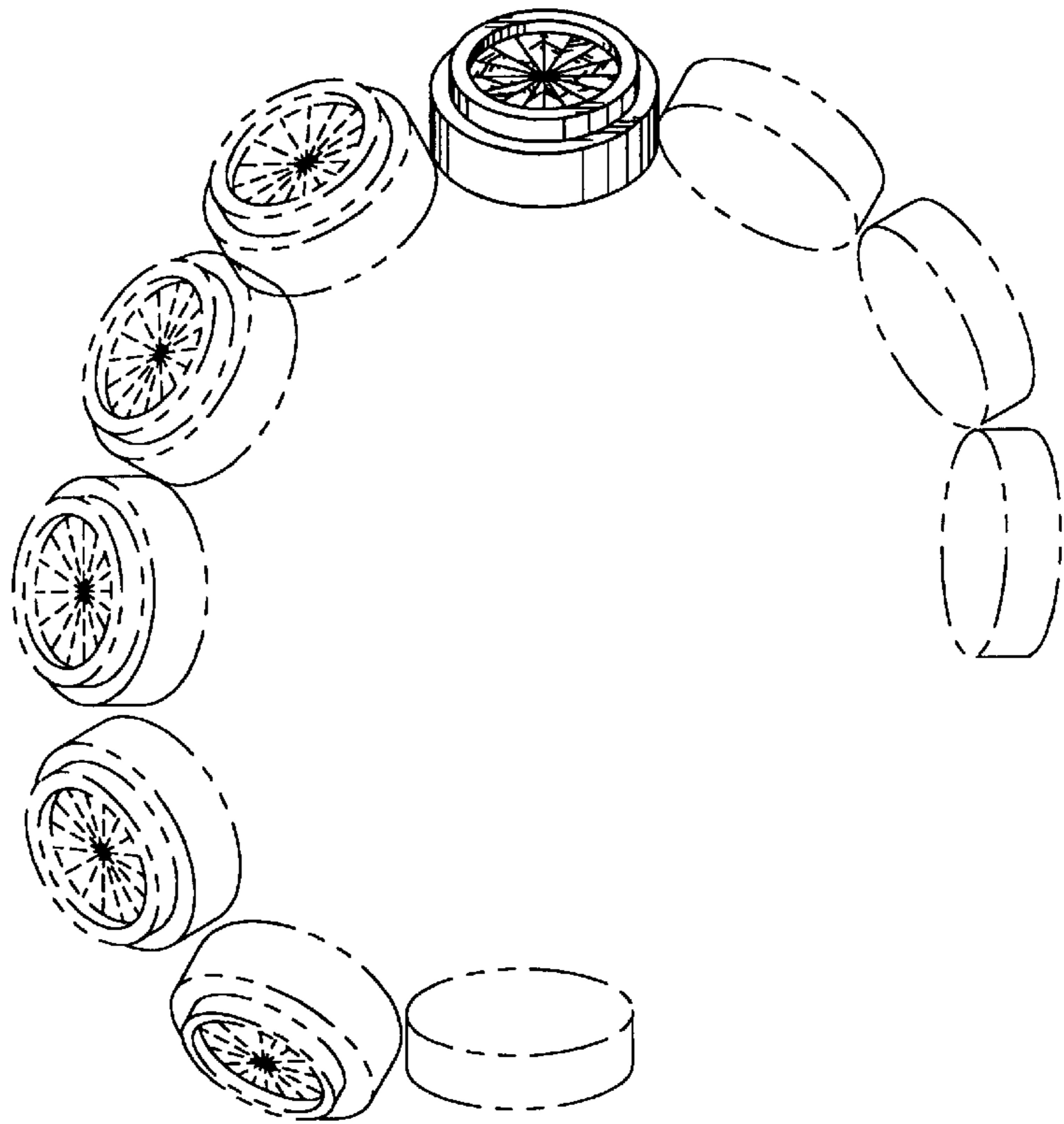


FIG. 27

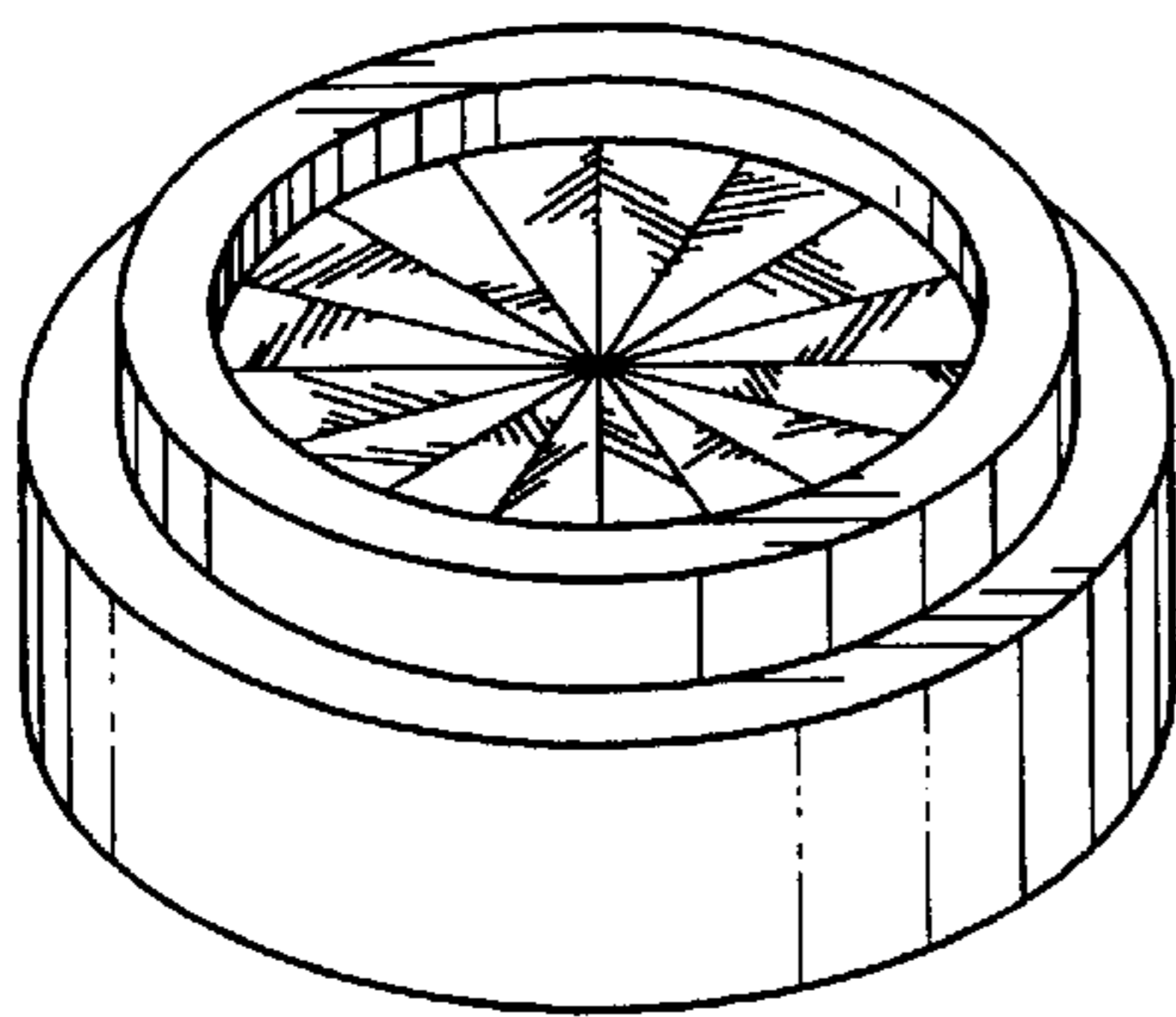


FIG. 28

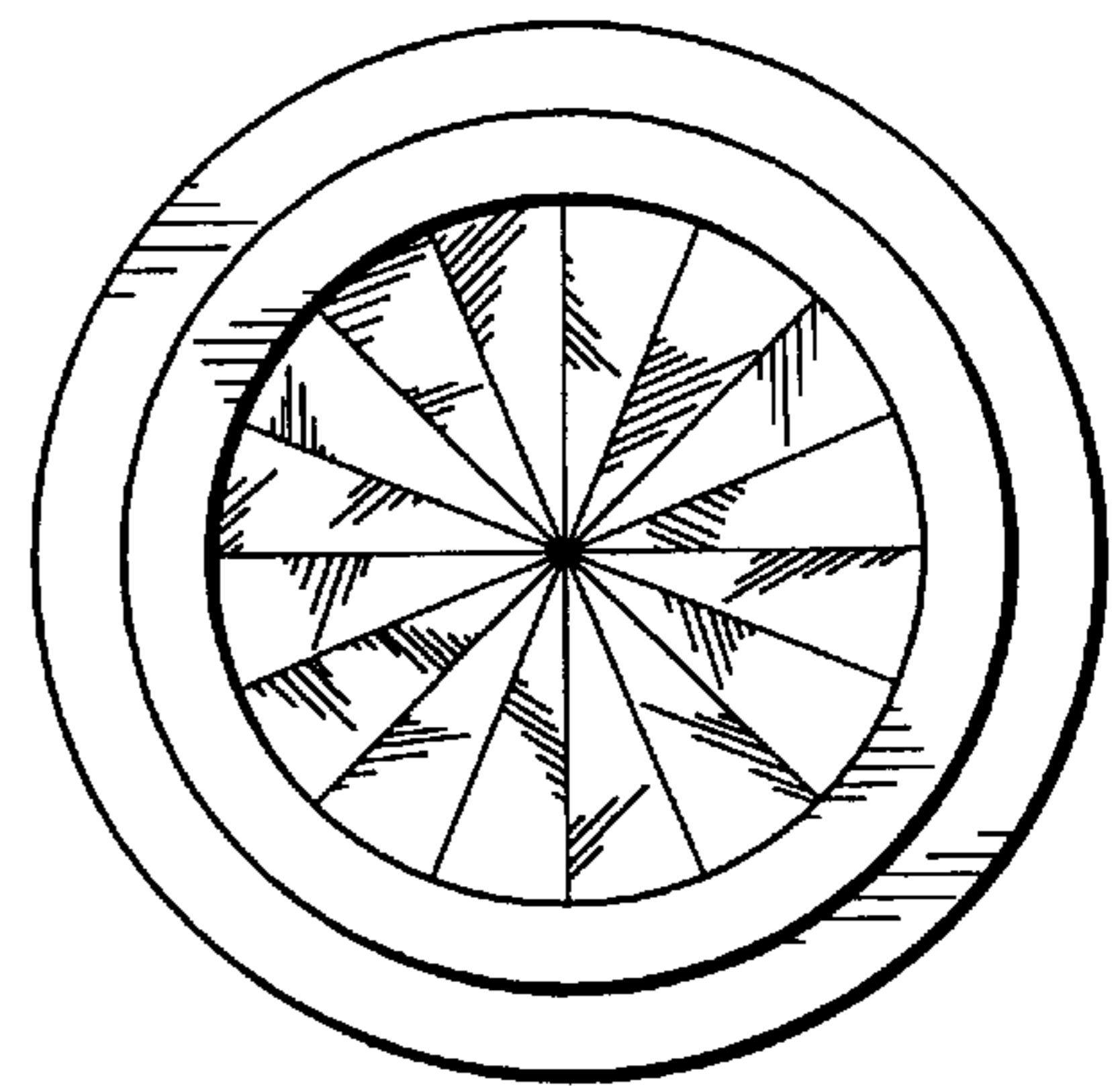


FIG. 29

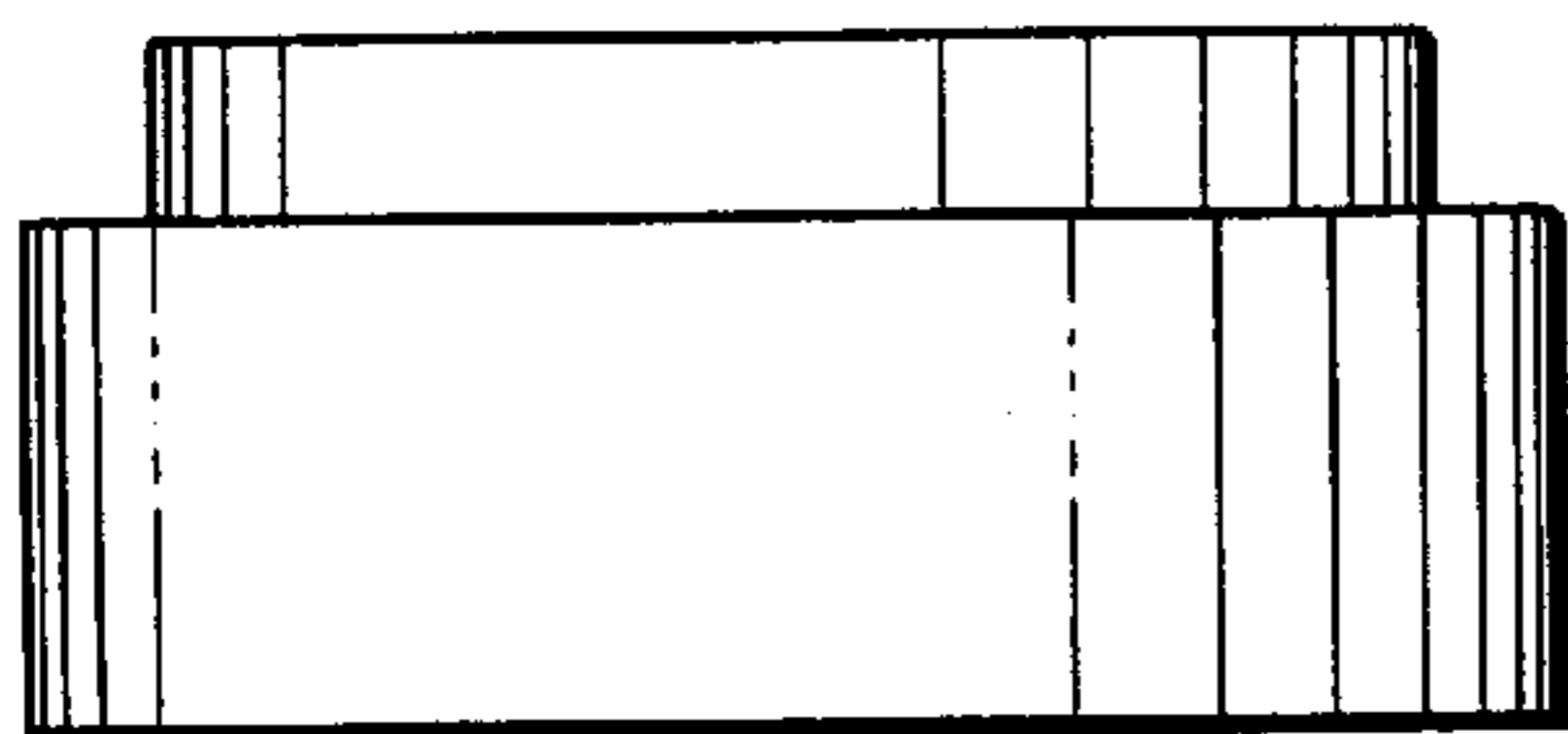


FIG. 30

FIG. 31

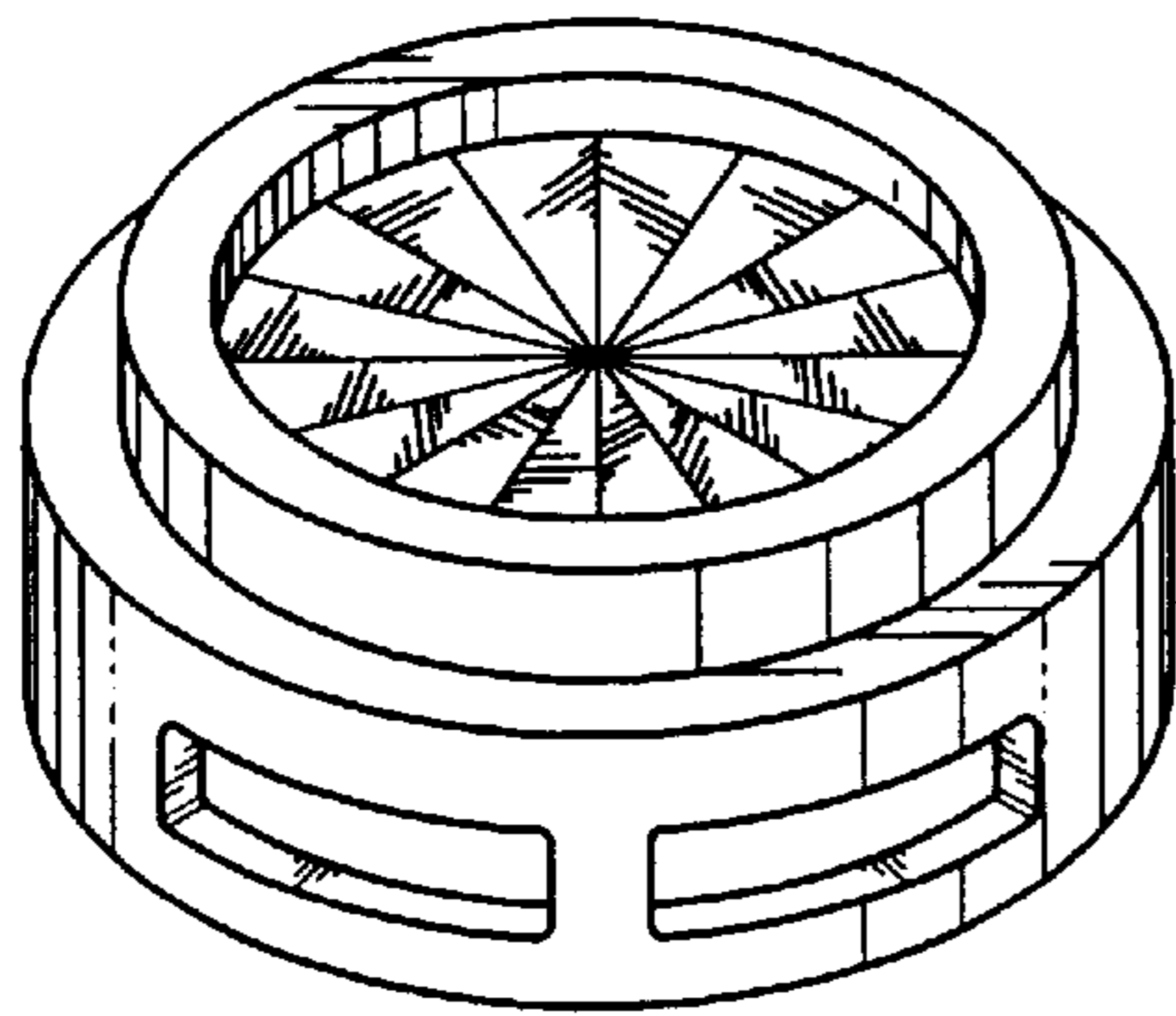
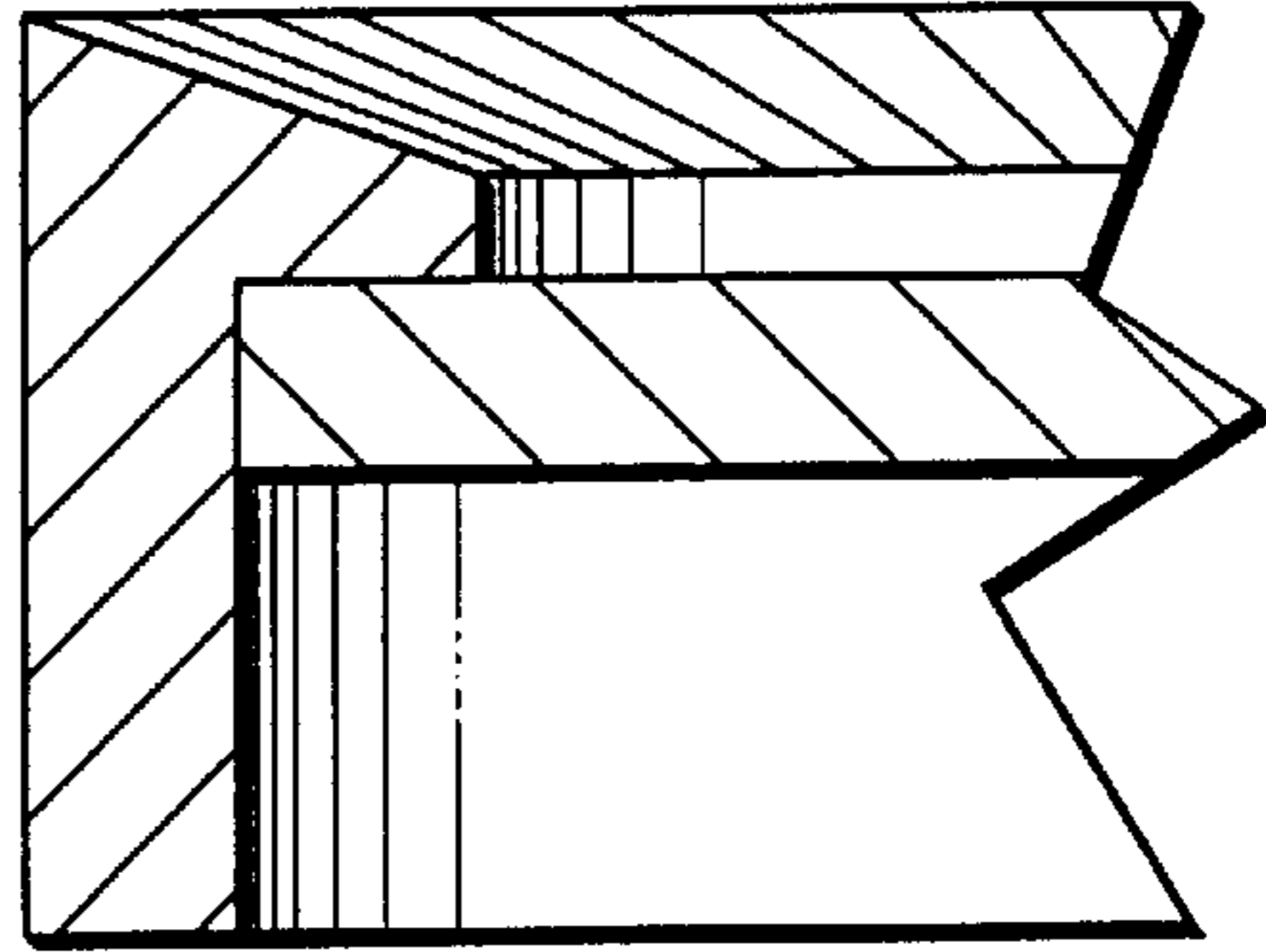


FIG. 32

FIG. 33

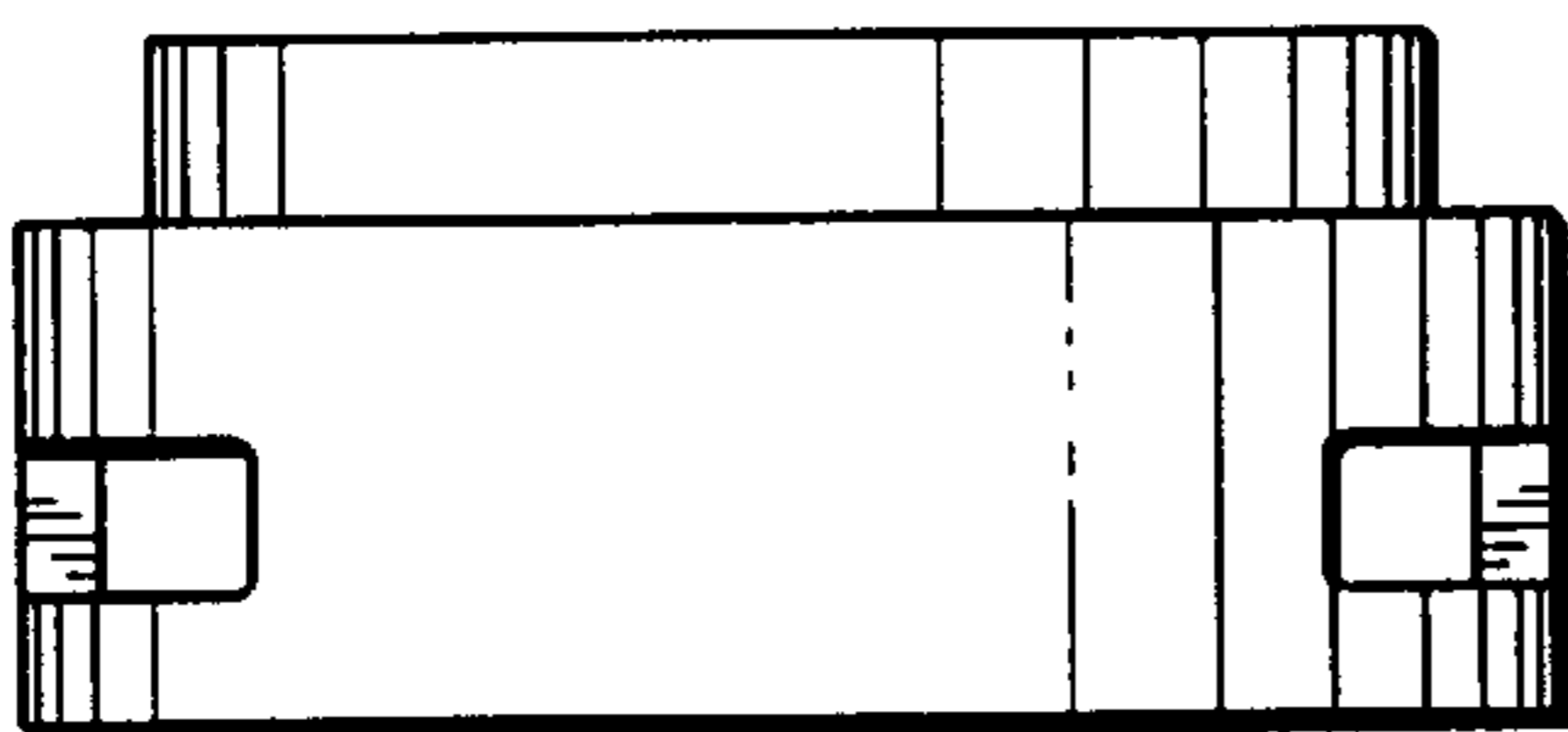
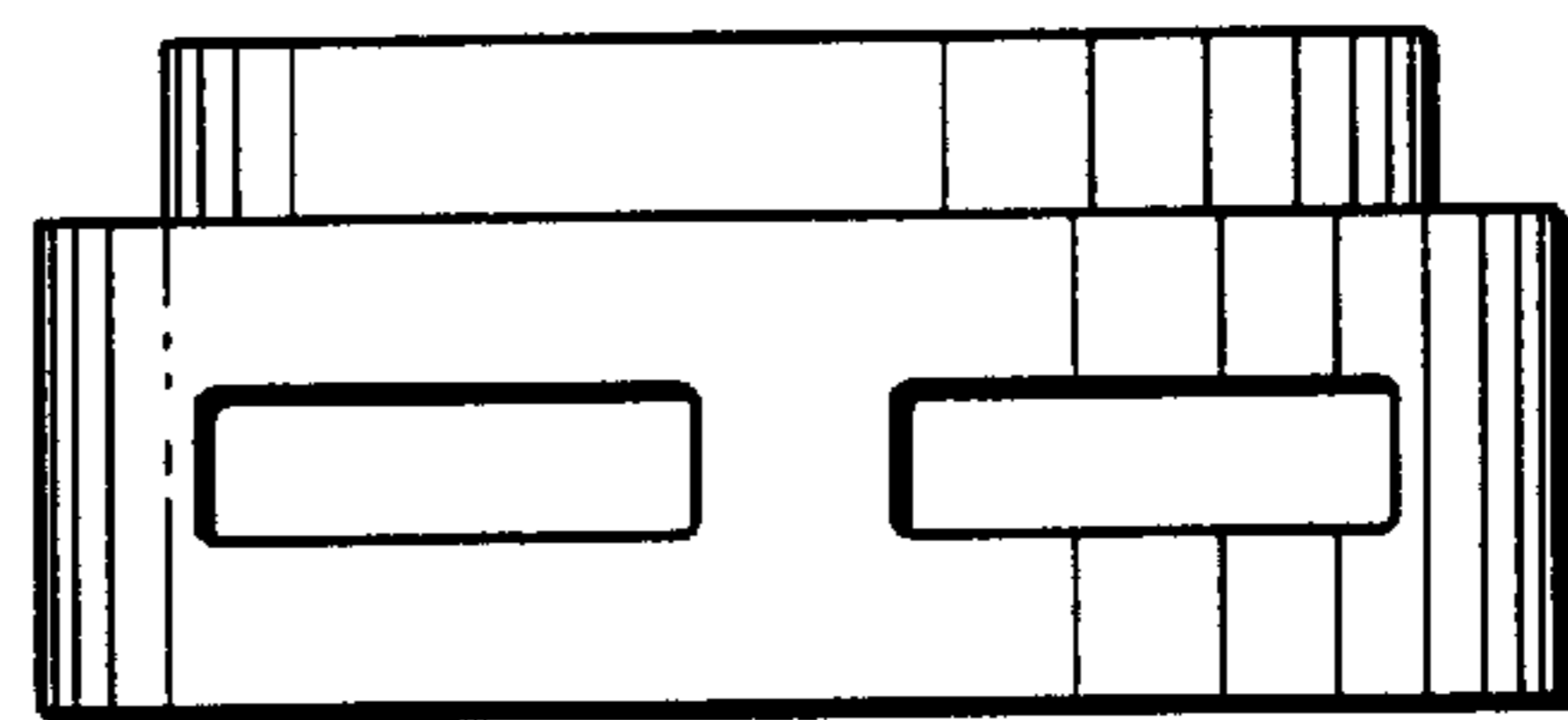


FIG. 34