



US00D423978S

# United States Patent [19]

Kohl et al.

[11] Patent Number: **Des. 423,978**

[45] Date of Patent: **\*\* May 2, 2000**

[54] **JEWELRY CLAMP**

4,041,579 8/1977 Chappel ..... D11/87

[76] Inventors: **Thomas D. Kohl**, 13895 Braun Rd., Golden, Colo. 80401; **Kenneth L. Mino**, 3770 Allison Ct., Wheat Ridge, Colo. 80033

### OTHER PUBLICATIONS

Catalog for Naomi Manufacturing, 50<sup>th</sup> Anniversary Edition, pp. 28, 29, 31, 34, 35 and 37 (not numbered). Not Dated.

[\*\*] Term: **14 Years**

*Primary Examiner*—Ralf Seifert  
*Attorney, Agent, or Firm*—Holland & Hart LLP

[21] Appl. No.: **29/085,362**

### [57] CLAIM

[22] Filed: **Mar. 20, 1998**

The ornamental design for a jewelry clamp, as shown and described.

[51] **LOC (7) Cl.** ..... **11-01**

[52] **U.S. Cl.** ..... **D11/87**

[58] **Field of Search** ..... D11/200–202,  
D11/206, 86–88; D2/640; 24/701, 705;  
63/12; D8/382, 388, 389

### DESCRIPTION

### [56] References Cited

#### U.S. PATENT DOCUMENTS

D. 43,926	4/1913	Hicks	.....	D11/87
D. 313,116	12/1990	Whitney	.....	D2/640
D. 378,069	2/1997	Koven	.....	D11/87
2,211,018	8/1940	Levine	.....	D11/87
3,402,438	9/1968	Battistello	.....	24/705

FIG. 1 is a front isometric view of a jewelry clamp showing my new design.

FIG. 2 is a front elevation view thereof.

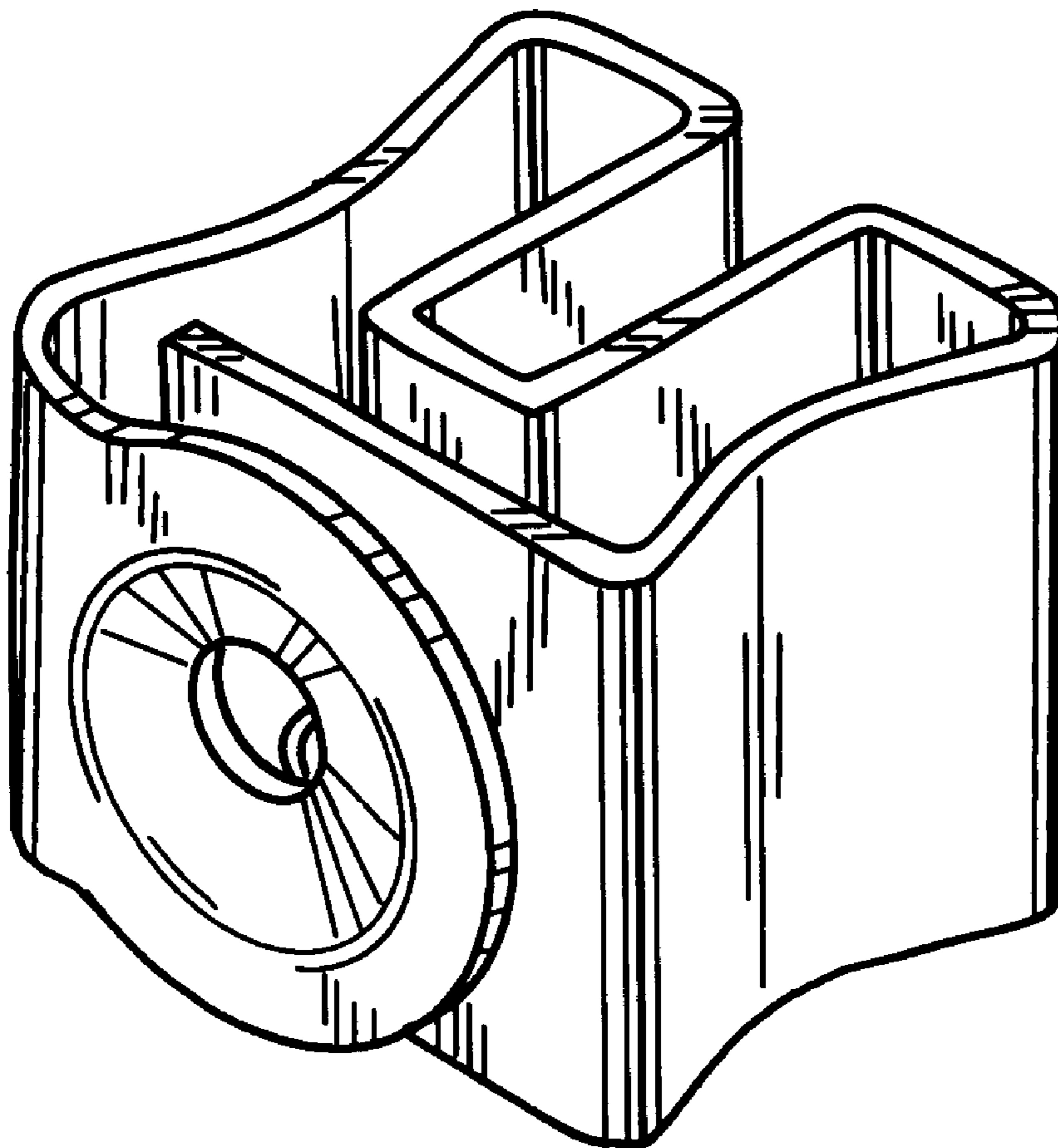
FIG. 3 is a side elevation view thereof, the opposite side being a mirror image thereof.

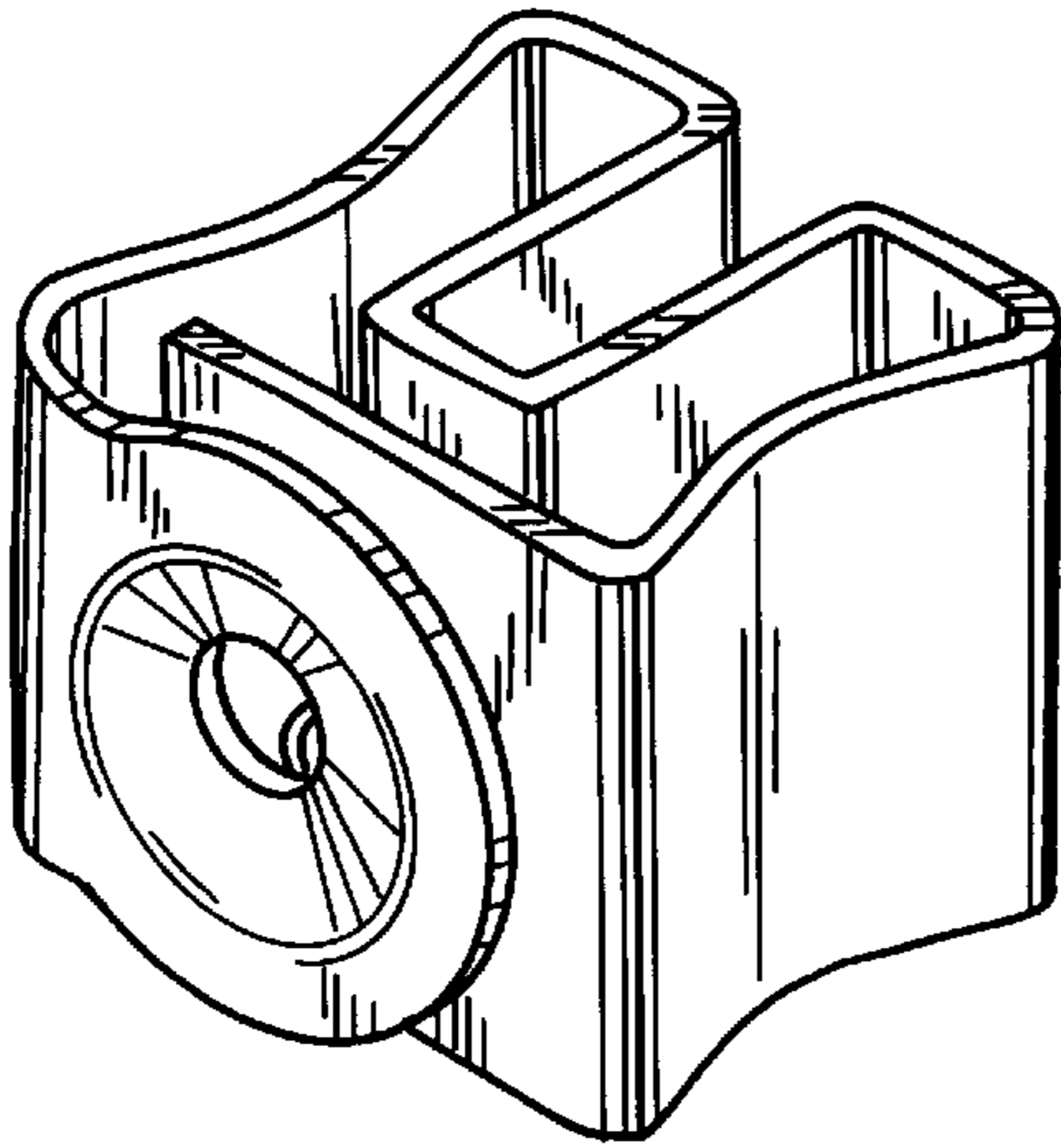
FIG. 4 is a right side elevation view thereof.

FIG. 5 is a left side elevation view thereof; and,

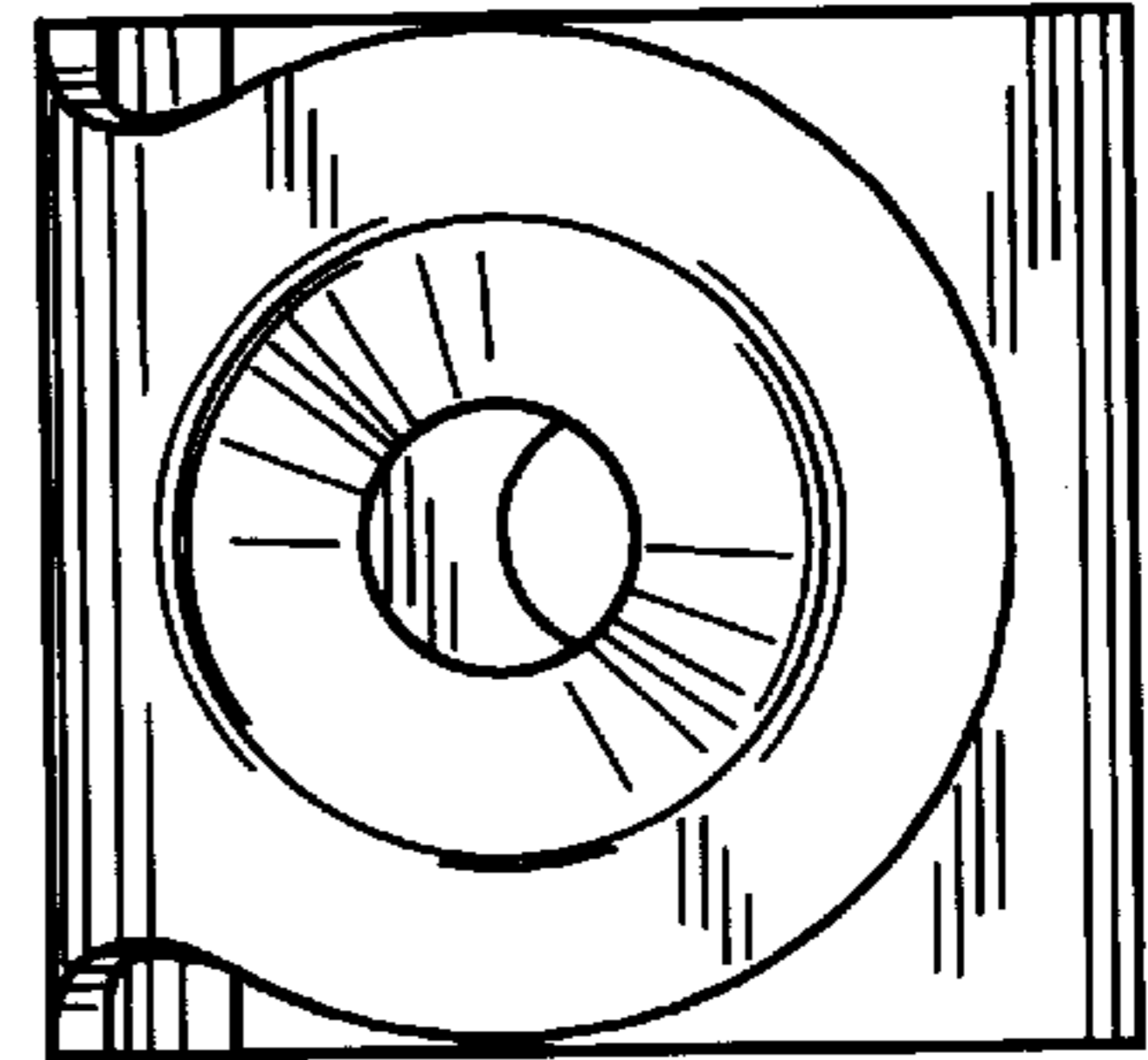
FIG. 6 is a bottom view thereof.

**1 Claim, 1 Drawing Sheet**

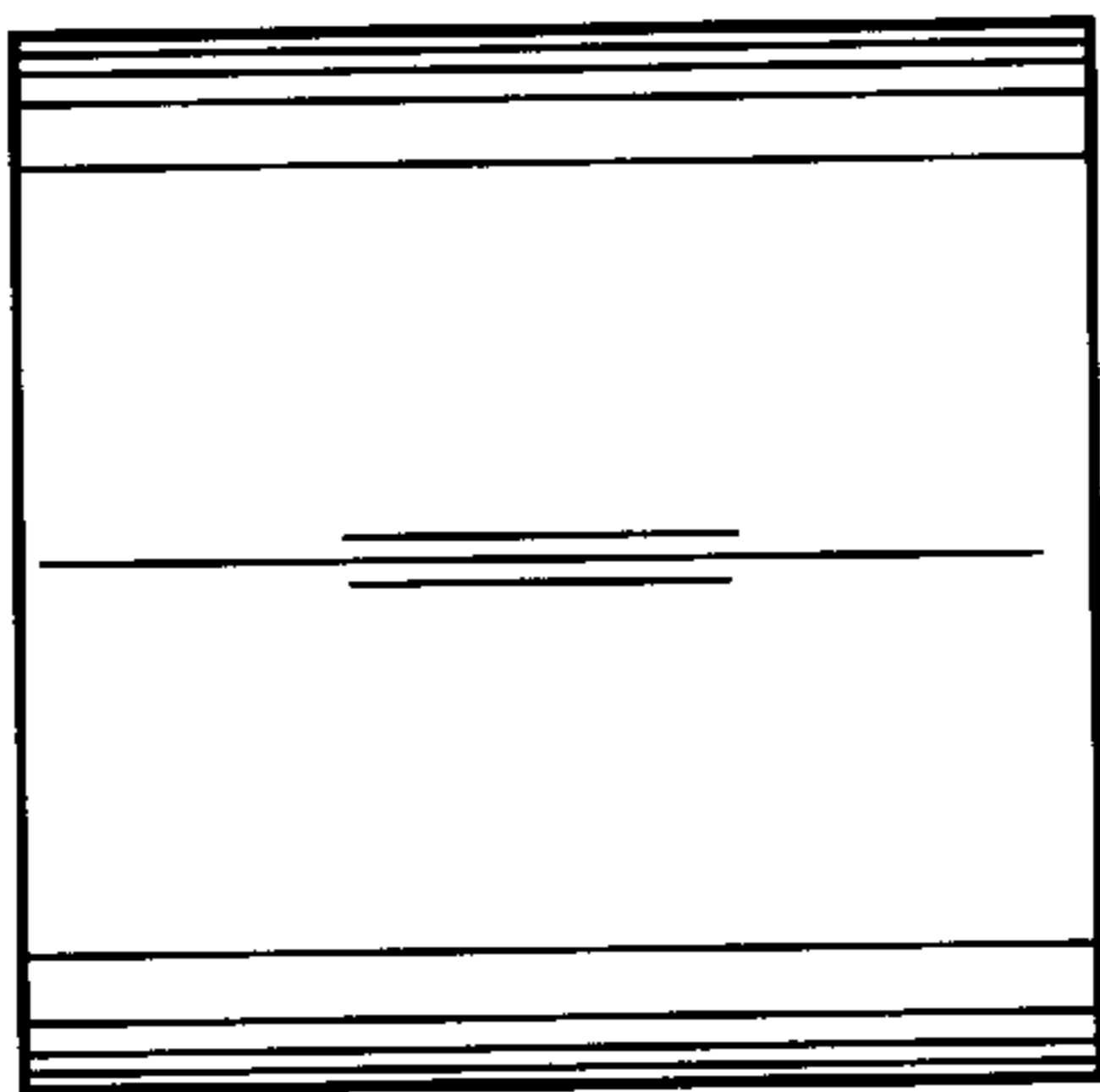




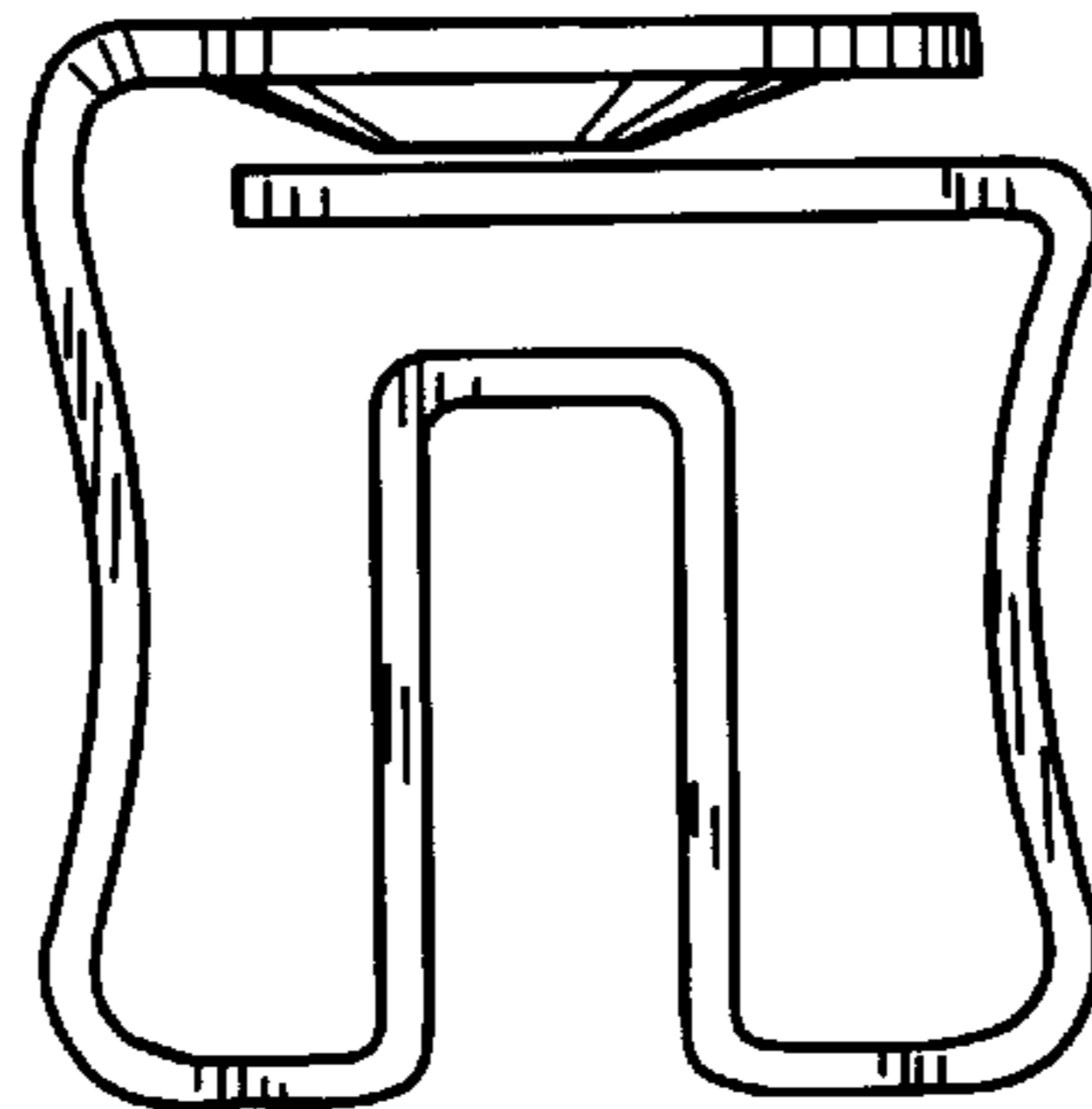
**Fig. 1**



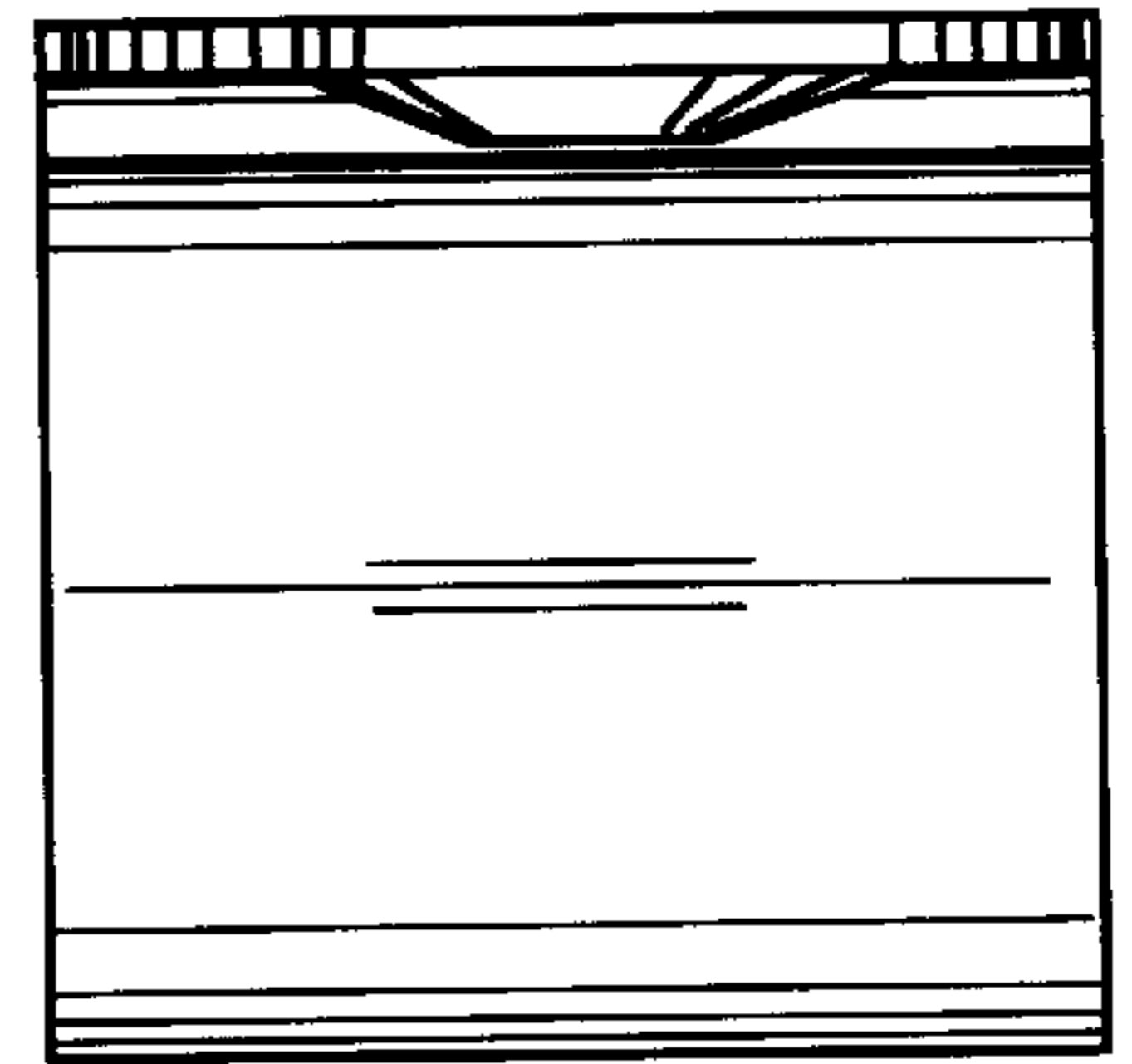
**Fig. 2**



**Fig. 5**



**Fig. 3**



**Fig. 4**

**Fig. 6**

