



US00D423973S

United States Patent [19] Labatt

[11] Patent Number: **Des. 423,973**

[45] Date of Patent: **** May 2, 2000**

[54] **WATER LEVEL SENSOR AND ALARM**

[76] Inventor: **Tony Labatt**, 47 Wineva Avenue,
Toronto, Ontario, Canada, M4E 2T1

[**] Term: **14 Years**

[21] Appl. No.: **29/101,792**

[22] Filed: **Mar. 10, 1999**

[51] **LOC (7) Cl.** **10-05**

[52] **U.S. Cl.** **D10/106**

[58] **Field of Search** D10/104, 106,
D10/116, 121; 340/540, 541, 542, 546,
547, 549, 550, 552, 568, 571, 572, 573

[56] **References Cited**

U.S. PATENT DOCUMENTS

D. 313,567	1/1991	Henry et al.	D10/106
D. 316,231	4/1991	Inglima	D10/106
D. 353,548	12/1994	Witzke	D10/106
D. 366,004	1/1996	Poliah	D10/106
3,824,460	7/1974	Gustafson	324/61
4,258,444	3/1981	Orszulok	4/538
4,297,686	10/1981	Tom	340/604
4,319,232	3/1982	Westphal et al.	340/604

4,673,925	6/1987	Whiteman	340/603
4,757,305	7/1988	Peso	340/624
4,771,272	9/1988	Barnes	340/624
4,804,947	2/1989	Geleziunas	340/620
5,006,834	4/1991	Fountain	340/625
5,151,685	9/1992	Spicer et al.	340/605
5,152,610	10/1992	Hallett	374/156
5,311,100	5/1994	Brain	315/129
5,539,383	7/1996	Chin	340/604
5,631,426	5/1997	Jao	73/644
5,793,294	8/1998	Schepka	340/616

Primary Examiner—Marcus A. Jackson

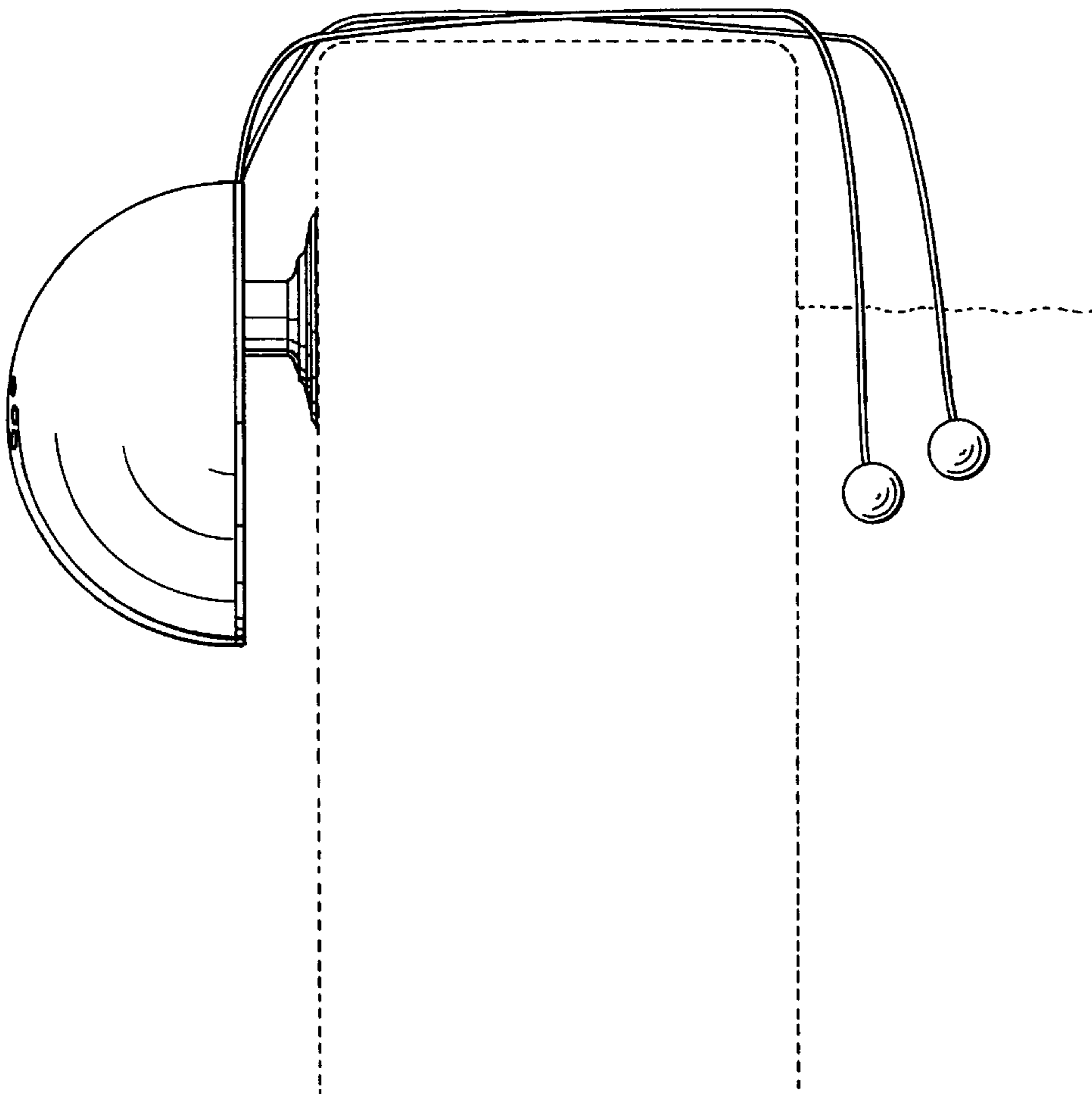
[57] **CLAIM**

The ornamental design for a water level sensor and alarm, as shown and described.

DESCRIPTION

FIG. 1 is a front view of a water level sensor and alarm according to my design;
FIG. 2 is a rear view of my design of FIG. 1.
FIG. 3 is a view of my design of FIGS. 1 and 2 in a storage position.
FIG. 4 is a side view of my design of FIGS. 1, 2 and 3 showing my design in a further position.

1 Claim, 4 Drawing Sheets



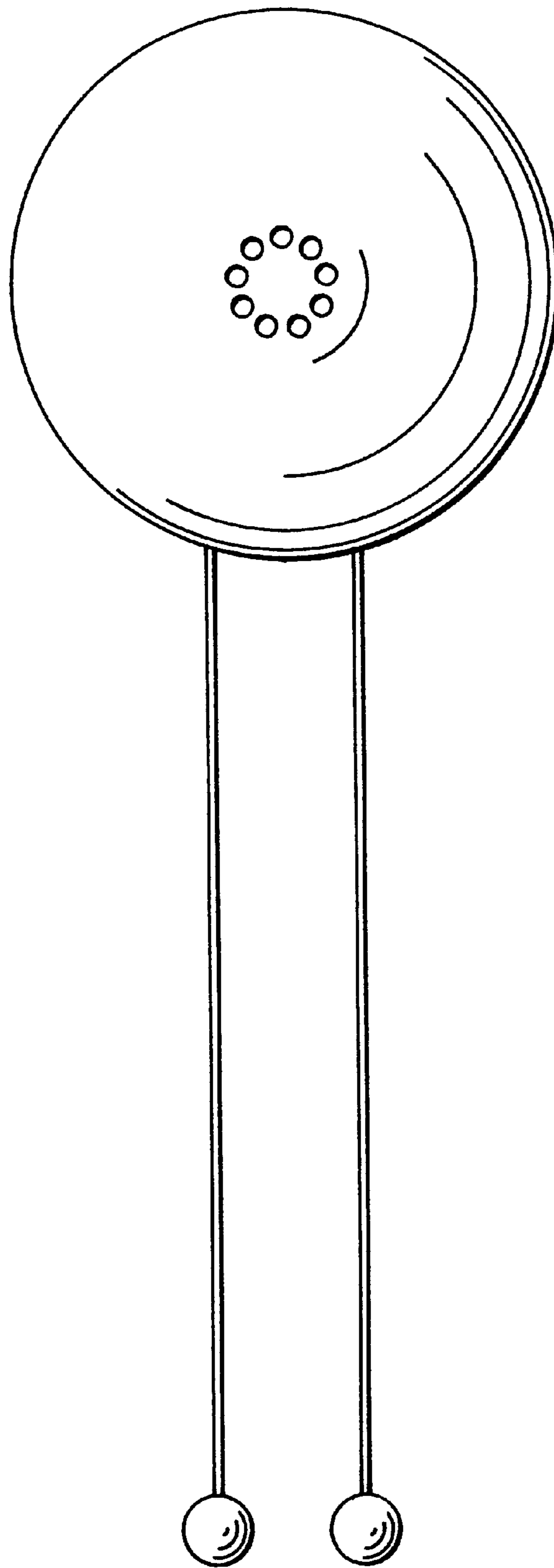


FIG. 1

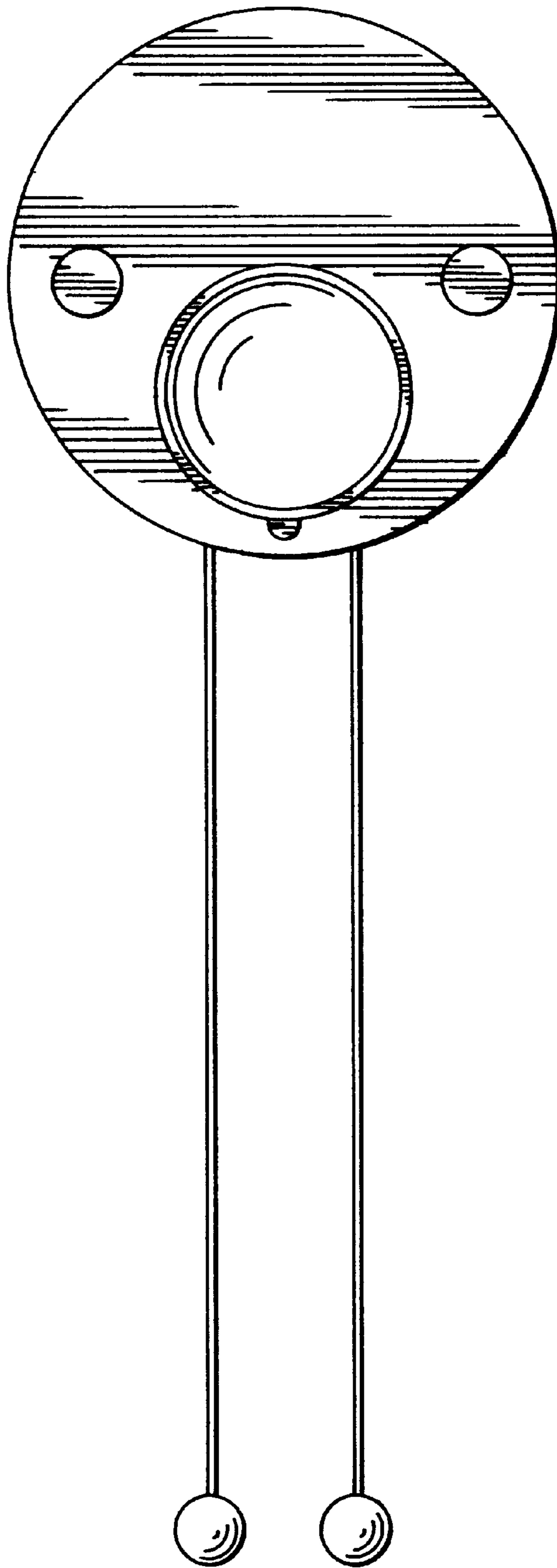


FIG. 2

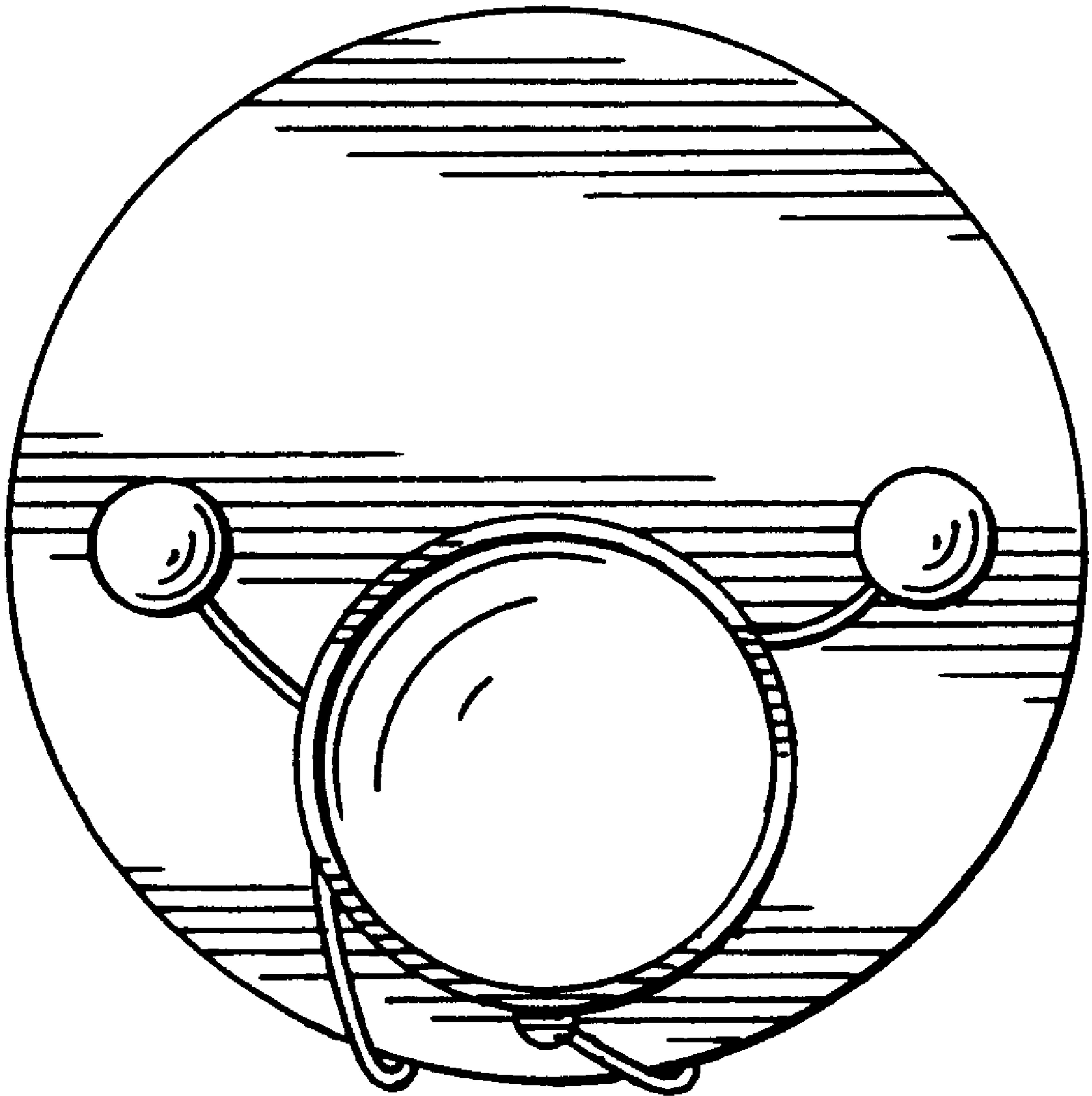


FIG. 3

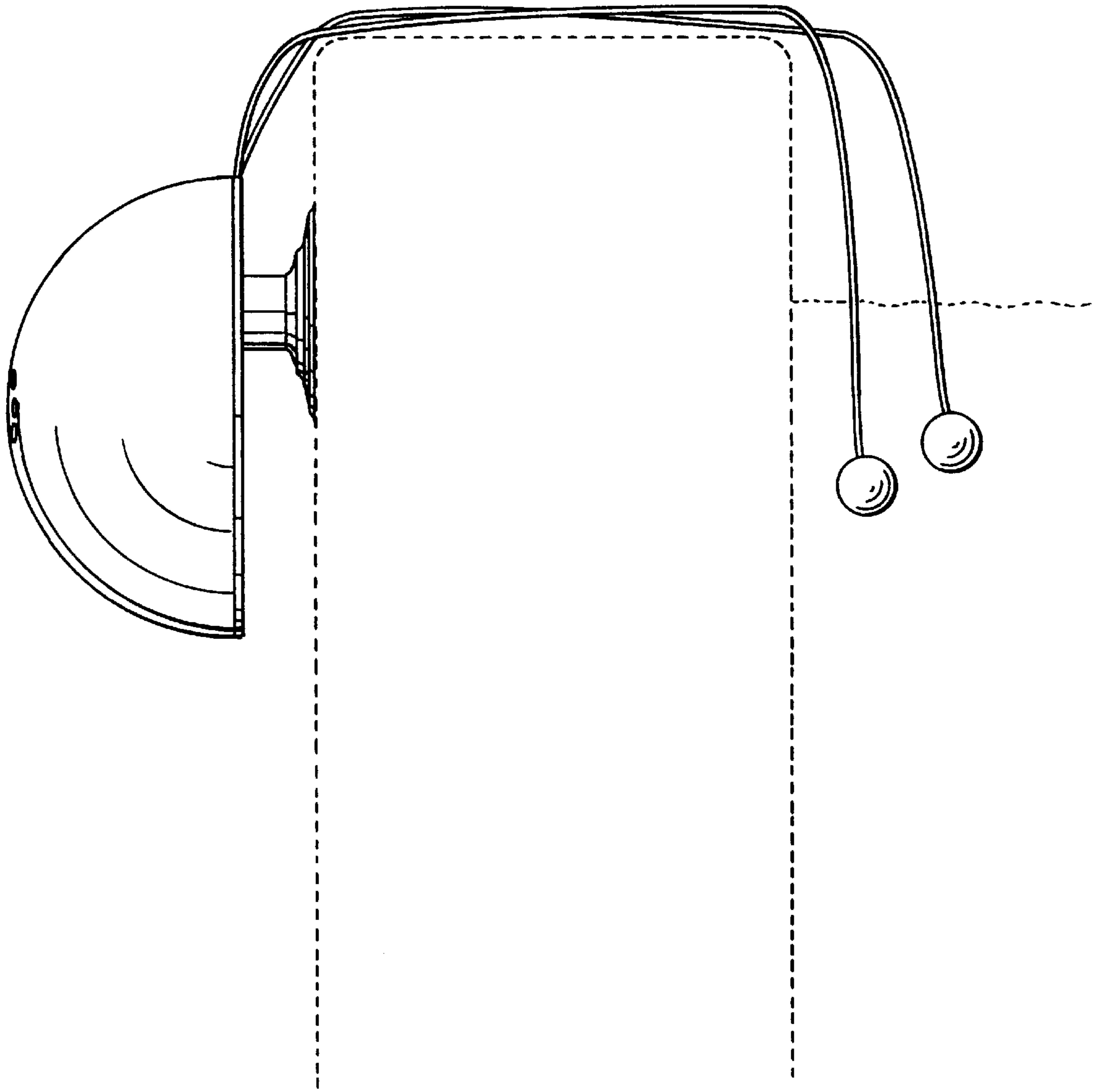


FIG. 4