



US00D423971S

# United States Patent [19] Elbinger

[11] **Patent Number: Des. 423,971**  
[45] **Date of Patent: \*\* May 2, 2000**

[54] **DEVICE FOR A NON-CONTACT TRANSMISSION OF DATA WITH AN APPROACH PROTECTION**

D. 308,176 5/1990 Soloway et al. .... D10/106  
D. 346,567 5/1994 Rimon ..... D10/106

[75] Inventor: **Gerd Elbinger**, Fuerth, Germany

*Primary Examiner*—Marcus A. Jackson  
*Attorney, Agent, or Firm*—Kenyon & Kenyon

[73] Assignee: **Siemens Aktiengesellschaft**, München, Germany

[57] **CLAIM**

The ornamental design for an infrared detector, as shown and described.

[\*\*] Term: **14 Years**

**DESCRIPTION**

[21] Appl. No.: **29/052,432**

FIG. 1 shows a perspective view of a device for an infrared detector showing my new design.

[22] Filed: **Mar. 29, 1996**

FIG. 2 shows a front view of an infrared detector illustrated in FIG. 1.

[30] **Foreign Application Priority Data**

Sep. 29, 1995 [DE] Germany ..... M 95 07 850

FIG. 3 shows a top view of an infrared detector illustrated in FIG. 1.

[51] **LOC (7) Cl.** ..... **10-05**

FIG. 4 shows a right side view of an infrared detector illustrated in FIG. 1.

[52] **U.S. Cl.** ..... **D10/106**

[58] **Field of Search** ..... D10/104, 106, D10/109, 114, 116, 121; 340/539, 540, 541, 545, 546, 547, 550, 551, 561, 565, 571, 572, 573

FIG. 5 shows a rear view of an infrared detector illustrated in FIG. 1.

FIG. 6 shows a left view of an infrared detector illustrated in FIG. 1; and,

FIG. 7 shows a bottom view of an infrared detector illustrated in FIG. 1.

[56] **References Cited**

**U.S. PATENT DOCUMENTS**

D. 307,245 4/1990 Biersdorff ..... D10/106

**1 Claim, 3 Drawing Sheets**

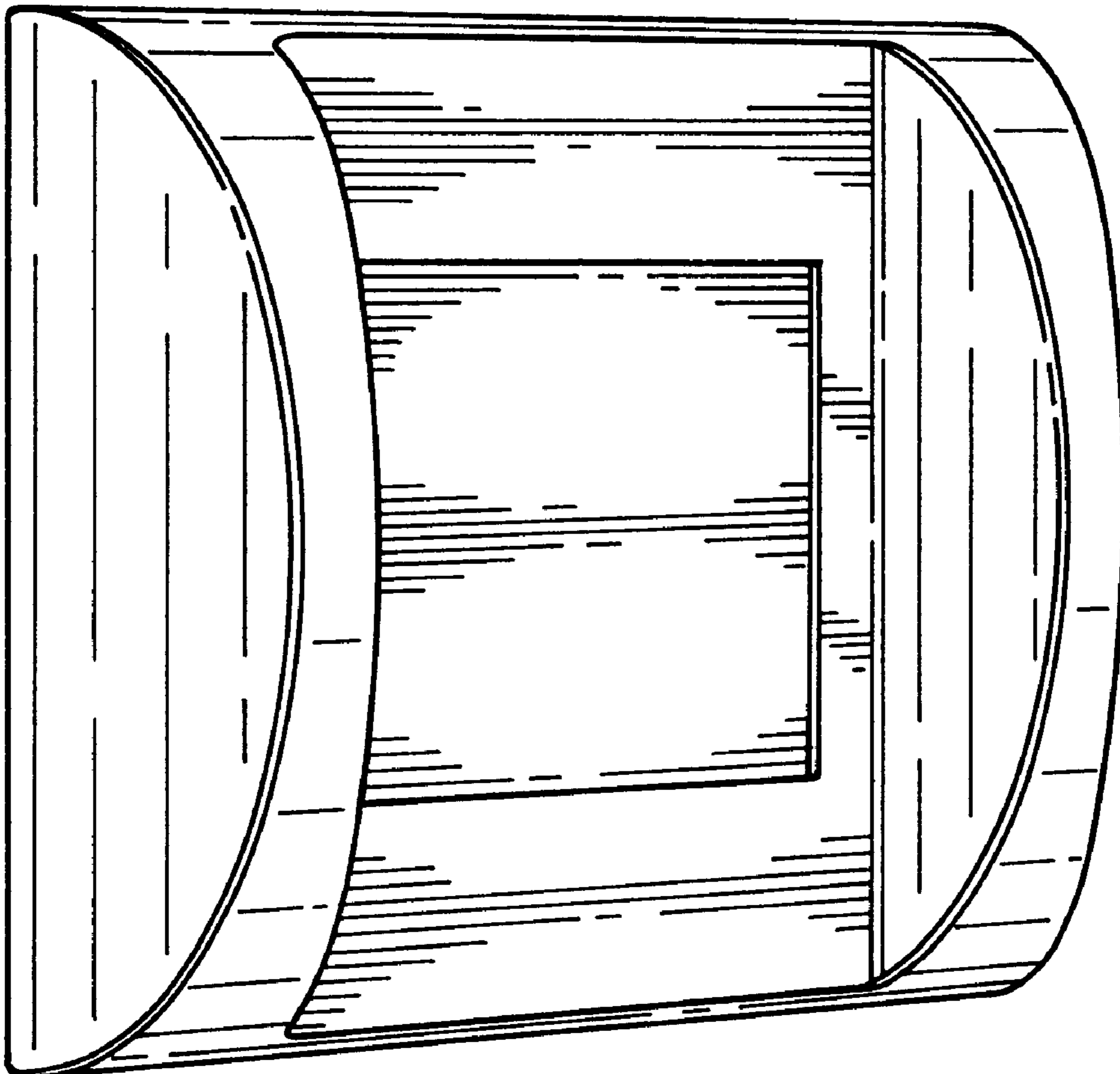
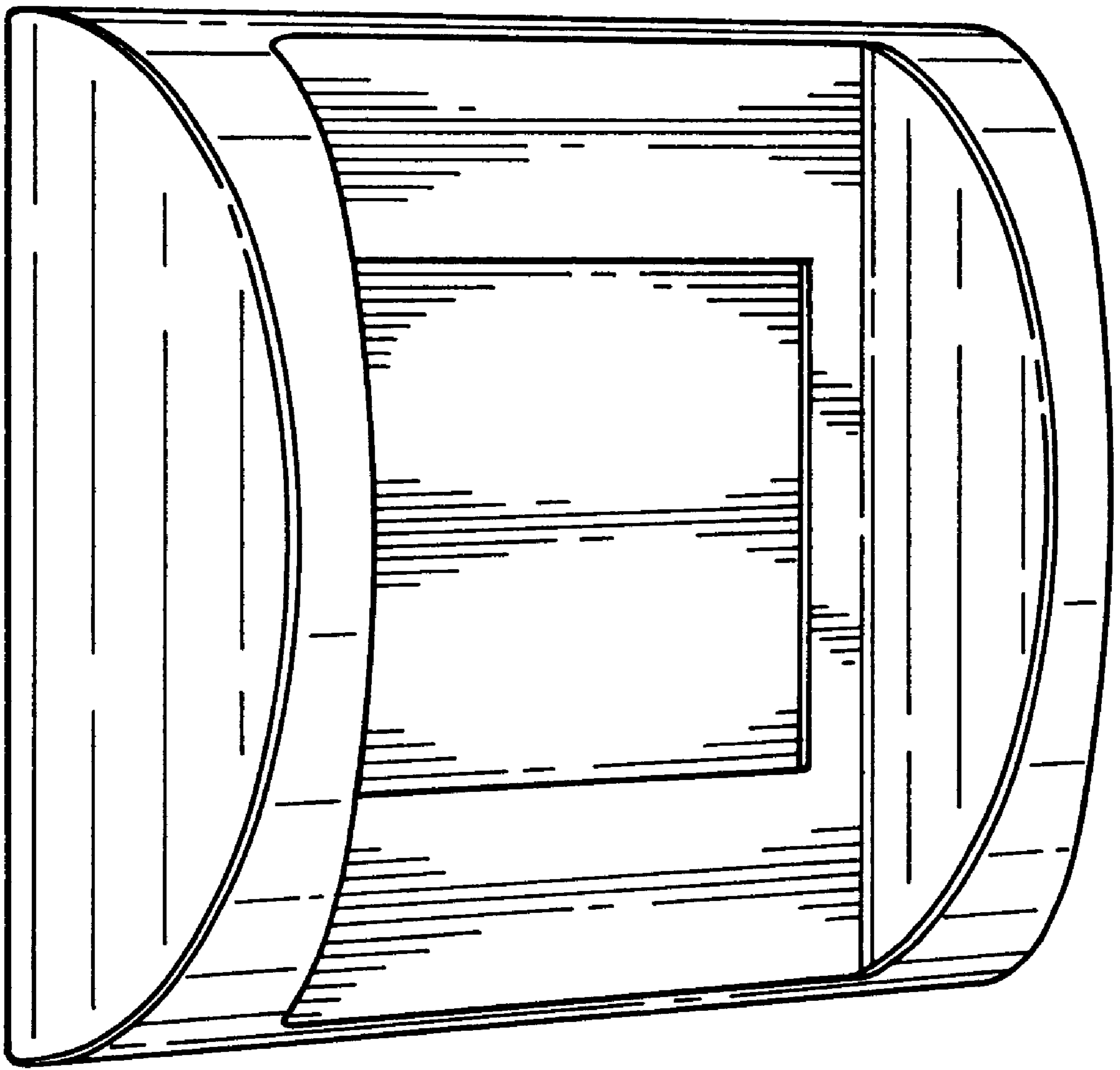


FIG. 1



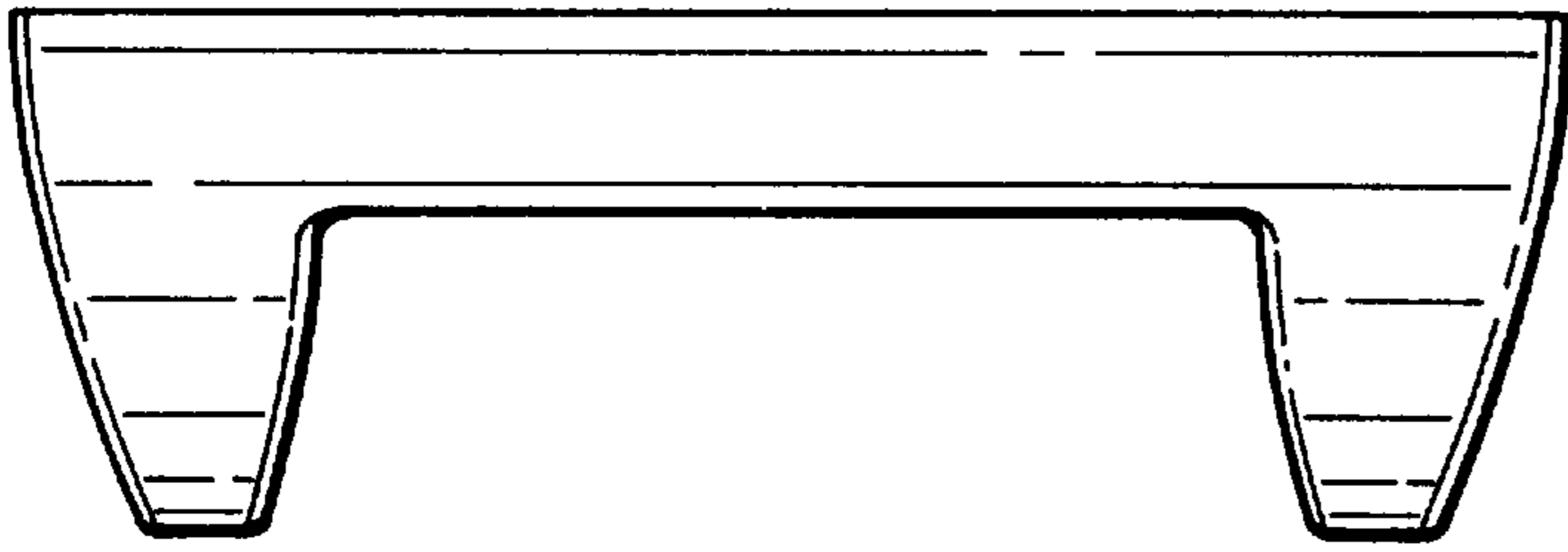


FIG. 3

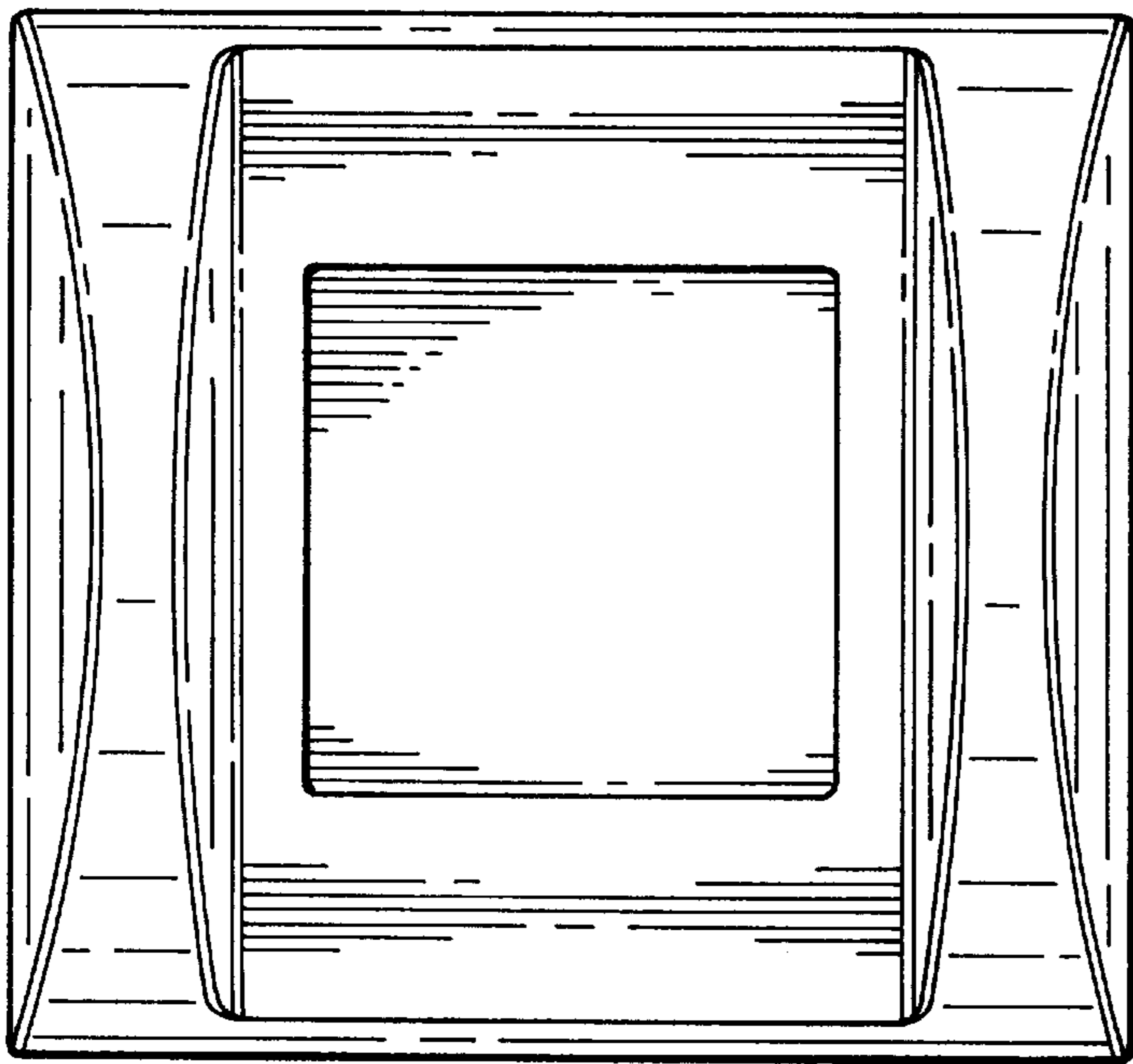


FIG. 2

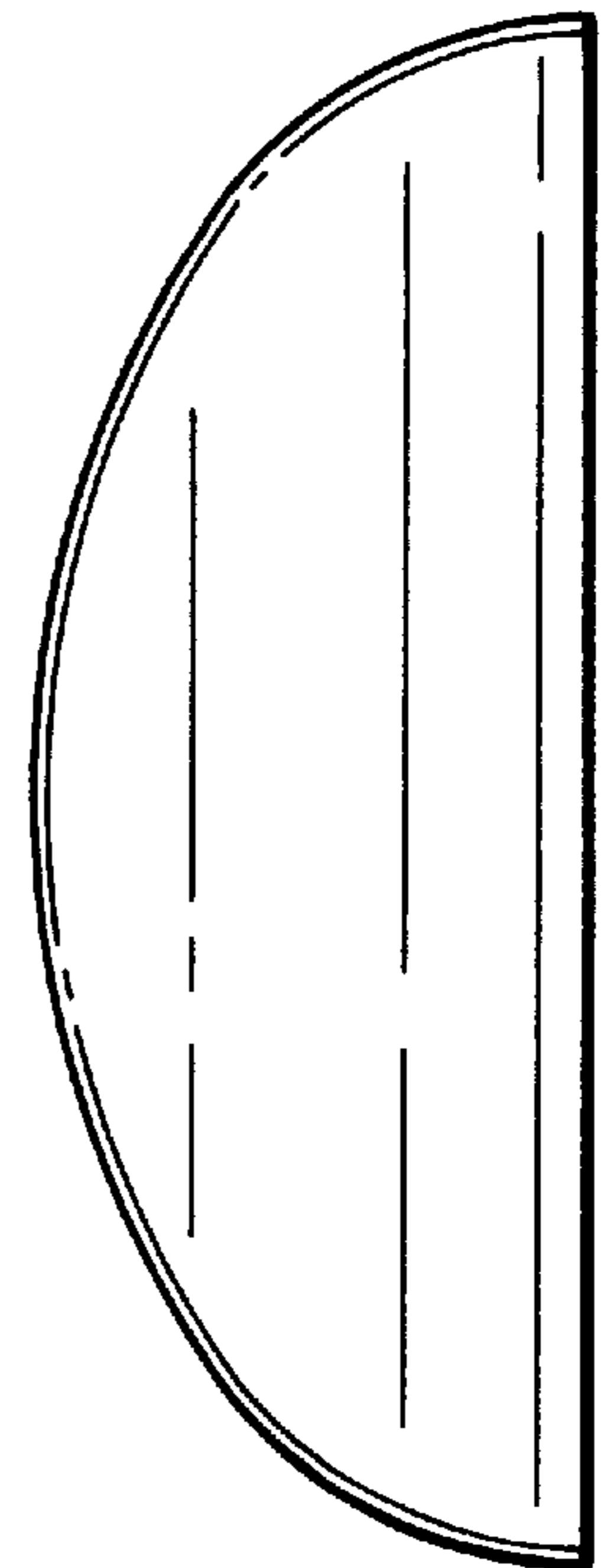


FIG. 4

FIG. 5

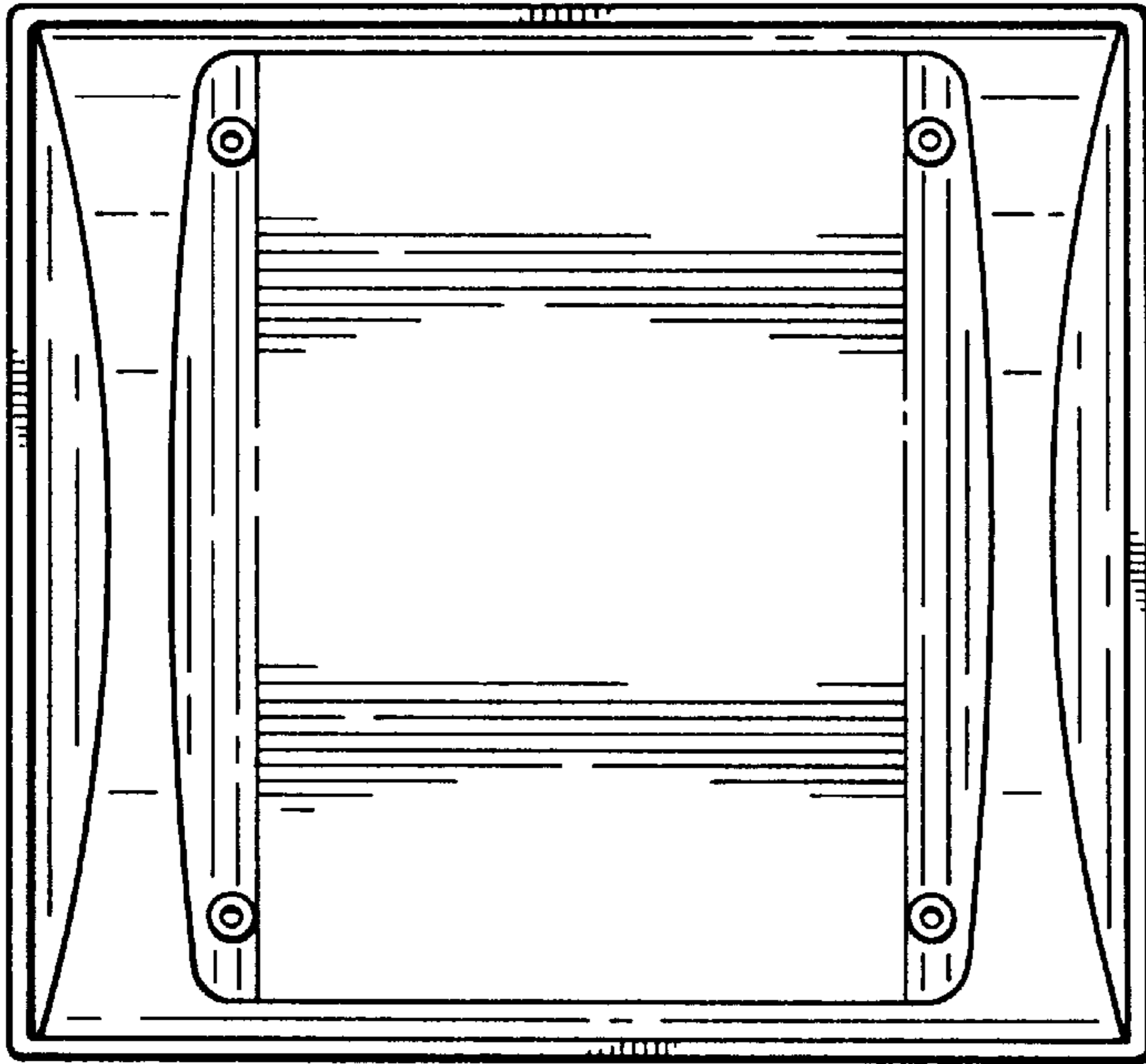


FIG. 6

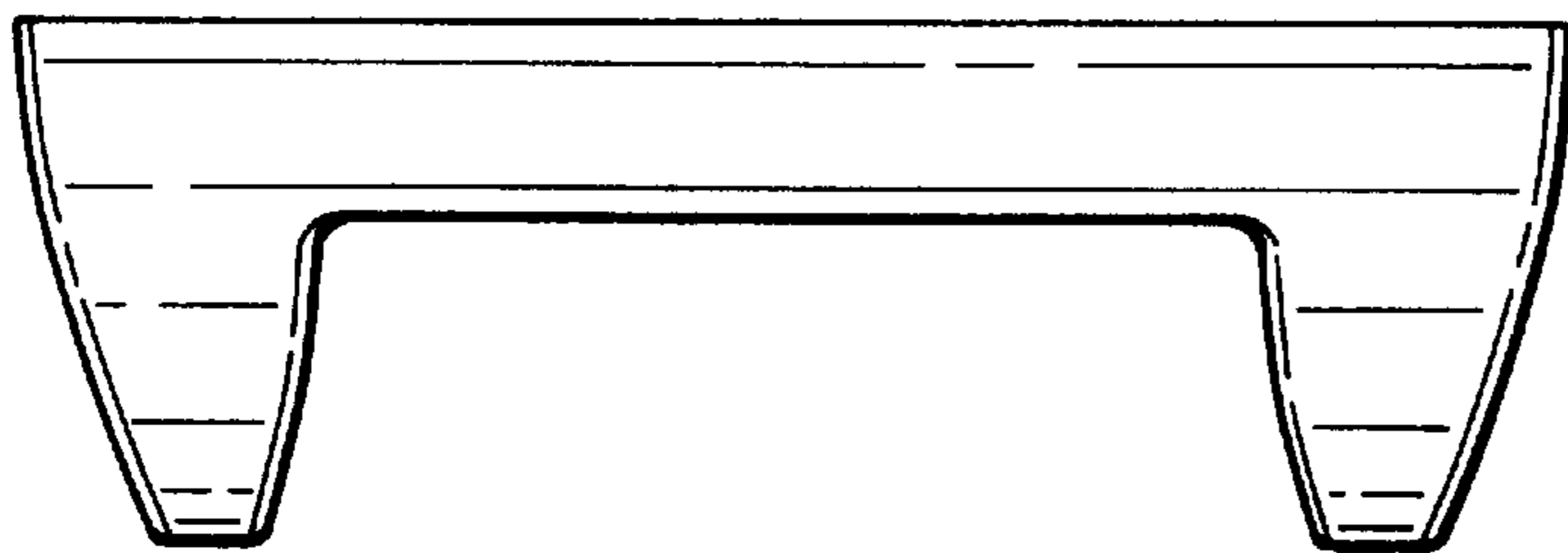
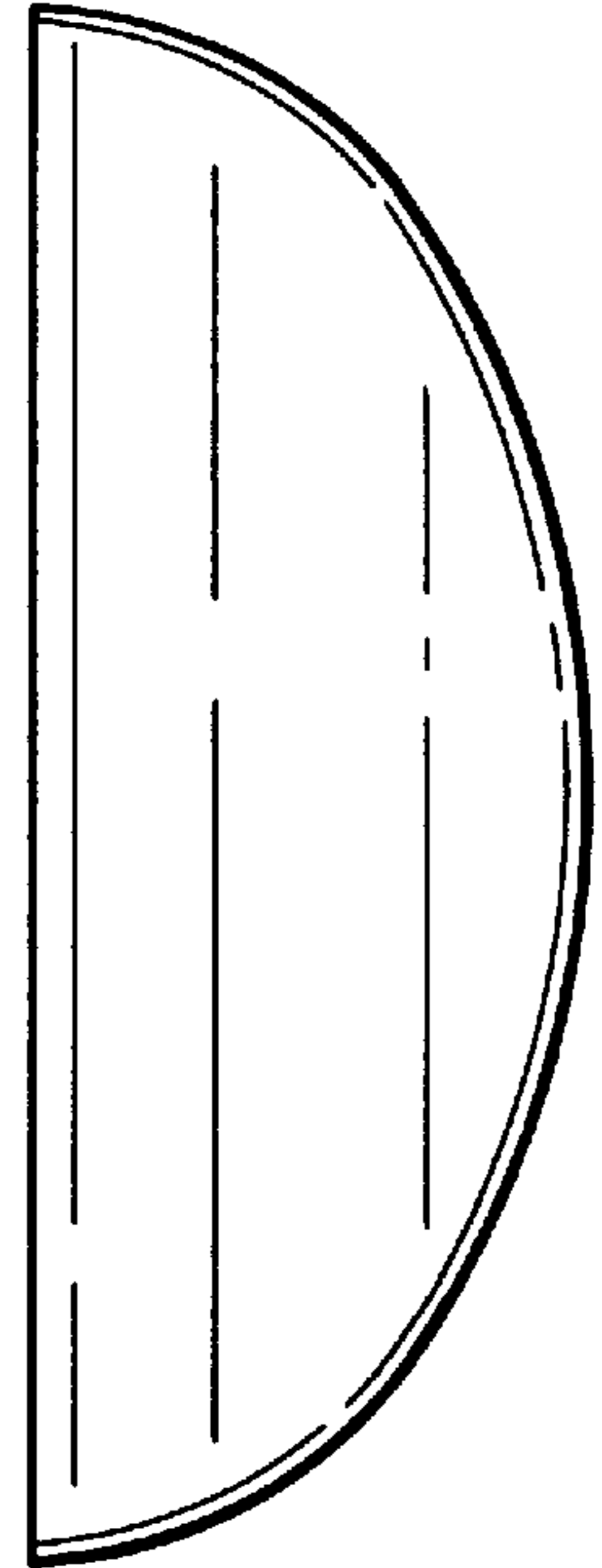


FIG. 7