



US00D423970S

United States Patent [19]
Waldner

[11] **Patent Number: Des. 423,970**

[45] **Date of Patent: ** May 2, 2000**

[54] **LEVEL-ALERT SENSOR**

D. 316,231 4/1991 Inglima D10/106

[76] Inventor: **Alvin J Waldner**, 21336 484th Ave.,
Elkton, S. Dak. 57026-6628

Primary Examiner—Marcus A. Jackson

[**] Term: **14 Years**

[57] **CLAIM**

The ornamental design for a level-alert sensor, as shown and described.

[21] Appl. No.: **29/108,310**

[22] Filed: **Jul. 23, 1999**

DESCRIPTION

[51] **LOC (7) Cl.** **10-05**

FIG. 1 is a top, front, left side perspective view of the level-alert sensor of the present invention;

[52] **U.S. Cl.** **D10/104**

FIG. 2 is a top plan view of the level-alert sensor of FIG. 1;

[58] **Field of Search** D10/104, 106,
D10/116, 121; 340/540, 541, 545, 571,
572, 573, 612, 618, 628

FIG. 3 is a front elevational view of the level-alert sensor of FIG. 1;

FIG. 4 is a top, front, right side perspective view of the level-alert sensor of FIG. 1; and,

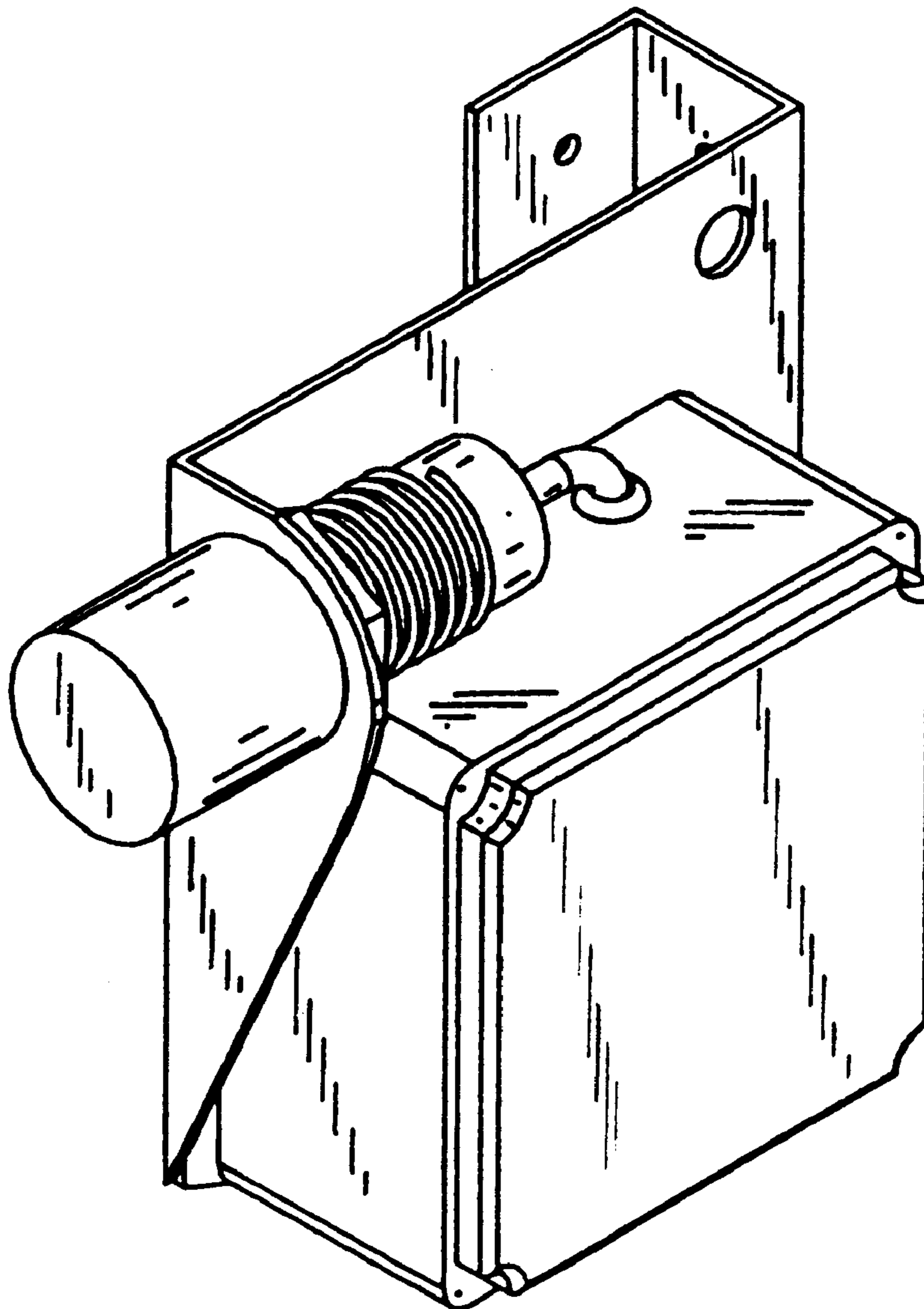
FIG. 5 is a top, rear, right side perspective view of the level-alert sensor of FIG. 1.

[56] **References Cited**

U.S. PATENT DOCUMENTS

D. 313,567 1/1991 Henry et al. D10/106

1 Claim, 5 Drawing Sheets



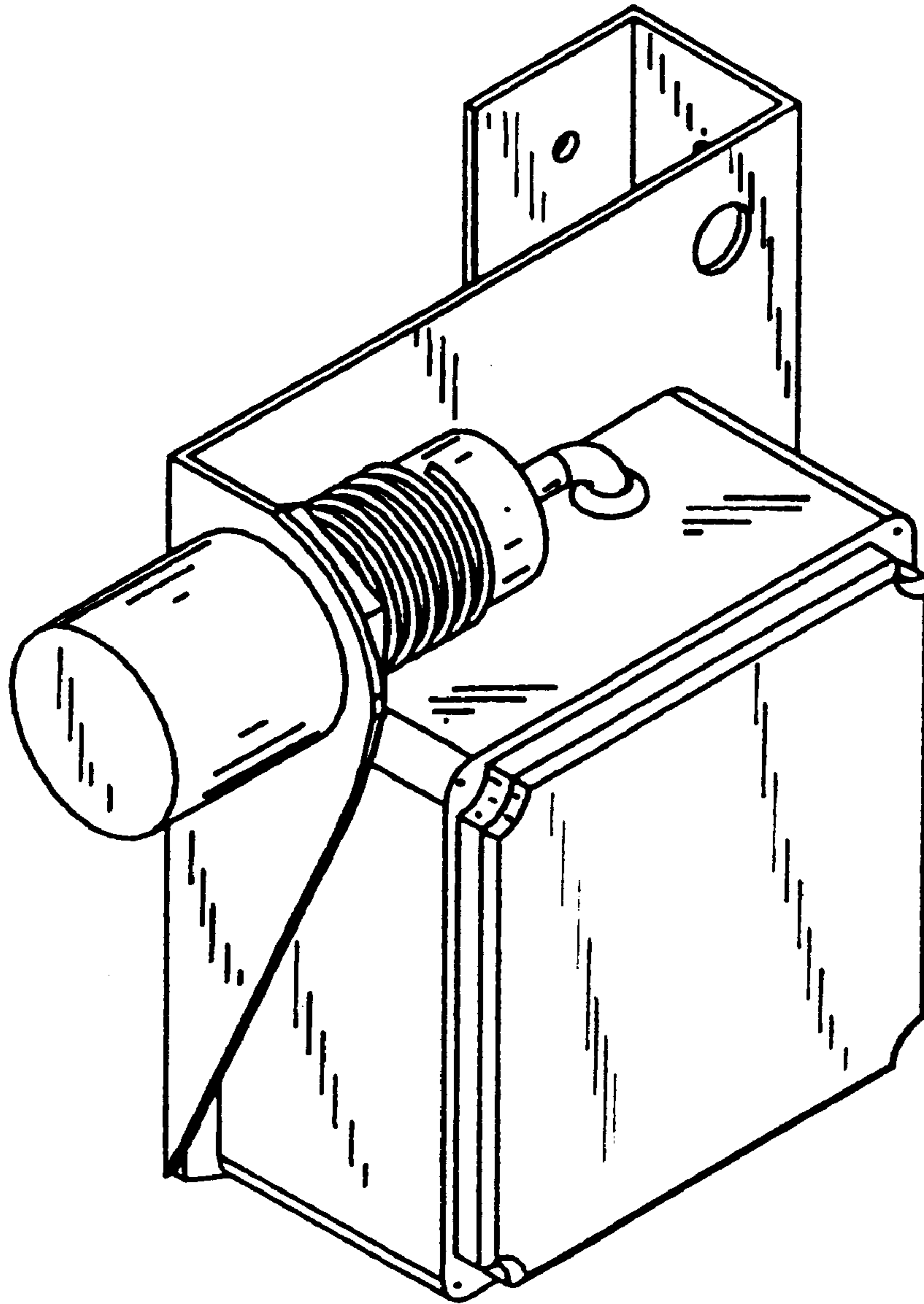


FIG. 1

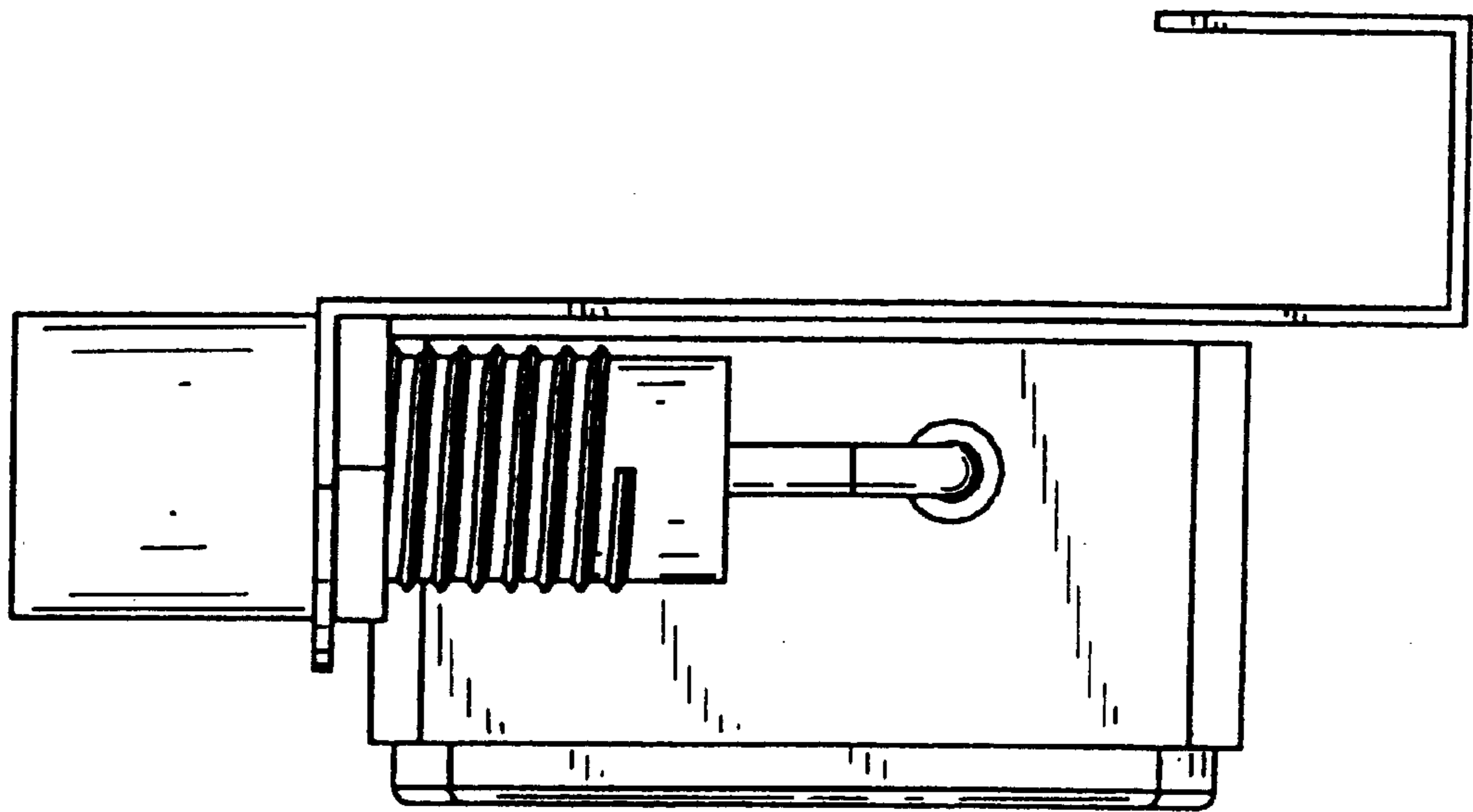


FIG. 2

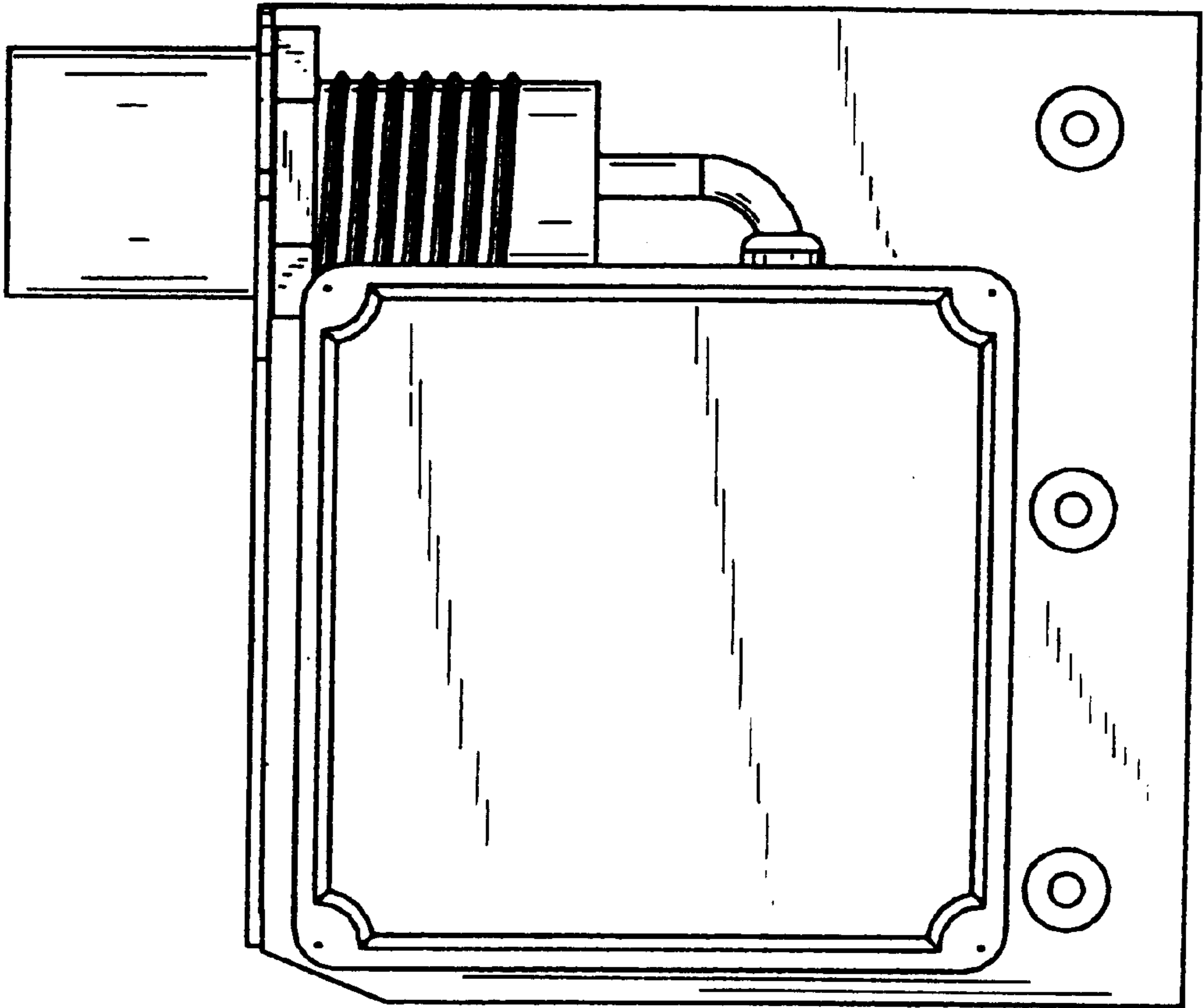


FIG. 3

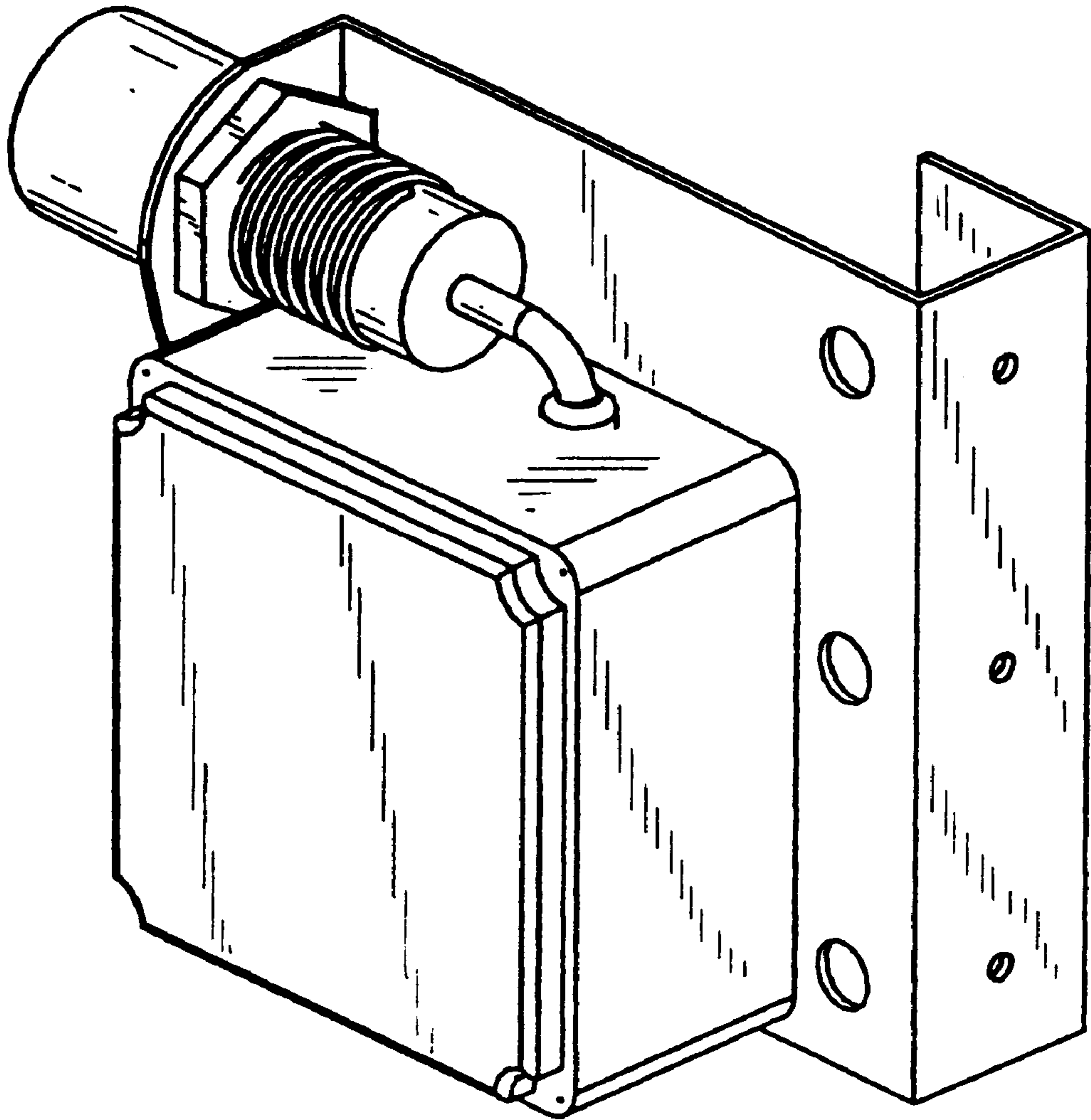


FIG. 4

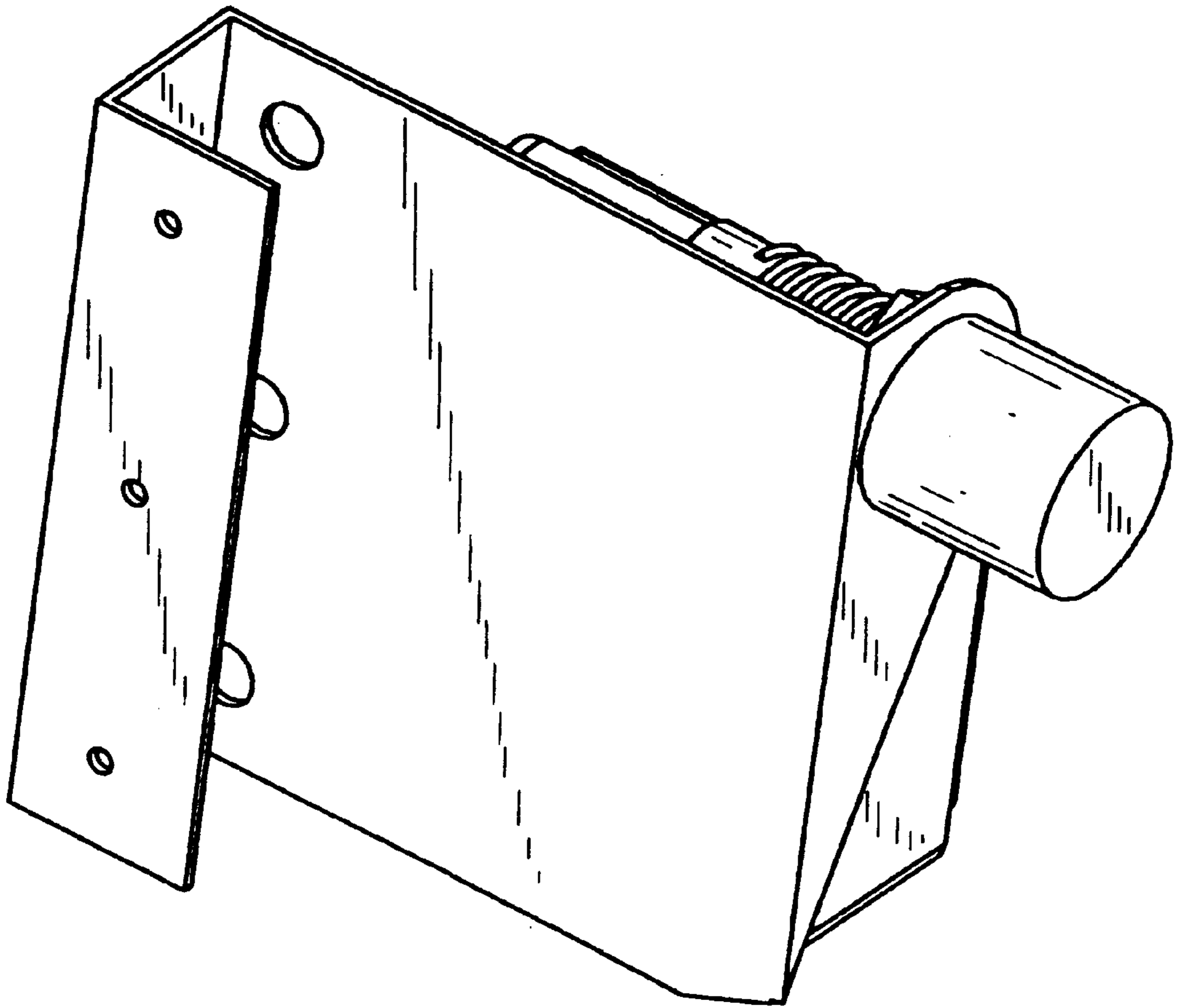


FIG. 5