



US00D423969S

United States Patent [19]

[11] Patent Number: Des. 423,969

Springer et al.

[45] Date of Patent: ** May 2, 2000

[54] **DESKTOP SMARTCARD SECURITY KIT**

[75] Inventors: **Robert E. Springer**, Durham; **David W. Hill**, Cary; **Brian H. Leonard**, Durham; **Robert C. Schwartz**, Raleigh; **John D. Swansey**, Durham, all of N.C.

[73] Assignee: **International Business Machines Corporation**, Armonk, N.Y.

[**] Term: **14 Years**

[21] Appl. No.: **29/106,535**

[22] Filed: **Jun. 17, 1999**

[51] **LOC (7) Cl.** **10-05**

[52] **U.S. Cl.** **D10/104**

[58] **Field of Search** D8/51, 49, 50;
D10/104, 106, 121; D14/114; 340/551,
571, 572, 573

[56] **References Cited**

U.S. PATENT DOCUMENTS

- D. 336,052 6/1993 Campman D10/104
- D. 362,605 9/1995 Witzky D10/104

Primary Examiner—Marcus A. Jackson
Attorney, Agent, or Firm—Bernard D. Bogdon

[57] **CLAIM**

The ornamental design for a desktop smartcard security kit, as shown and described.

DESCRIPTION

FIG. 1 is a front right side elevational perspective view of a first embodiment of a desktop smartcard kit according to the principles of the present invention;

FIG. 2 is a front elevational view of the first embodiment;
 FIG. 3 is a top plan view of the first embodiment when viewed from the back side;
 FIG. 4 is a right side elevational view of the first embodiment;
 FIG. 5 is a left side elevational view of the first embodiment;
 FIG. 6 is a top plan view of the first embodiment when viewed from the front side;
 FIG. 7 is a bottom plan view of the first embodiment;
 FIG. 8 is a front right side elevational perspective view of a second embodiment of a desktop smartcard security kit according to the principles of the present invention;
 FIG. 9 is a front elevational view of the second embodiment;
 FIG. 10 is a back side elevational view of the second embodiment;
 FIG. 11 is a right side elevational view of the second embodiment;
 FIG. 12 is a left side elevational view of the second embodiment;
 FIG. 13 is a top plan view of the second embodiment;
 FIG. 14 is a bottom plan view of the second embodiment;
 FIG. 15 is a front right side elevational perspective view of a third embodiment of a desktop smartcard security kit according to the principles of the present invention;
 FIG. 16 is a front elevational view of the third embodiment;
 FIG. 17 is a back side elevational view of the third embodiment;
 FIG. 18 is a right side elevational view of the third embodiment;
 FIG. 19 is a left side elevational view of the third embodiment;
 FIG. 20 is a top plan view of the third embodiment; and,
 FIG. 21 is a bottom plan view of the third embodiment.

1 Claim, 12 Drawing Sheets

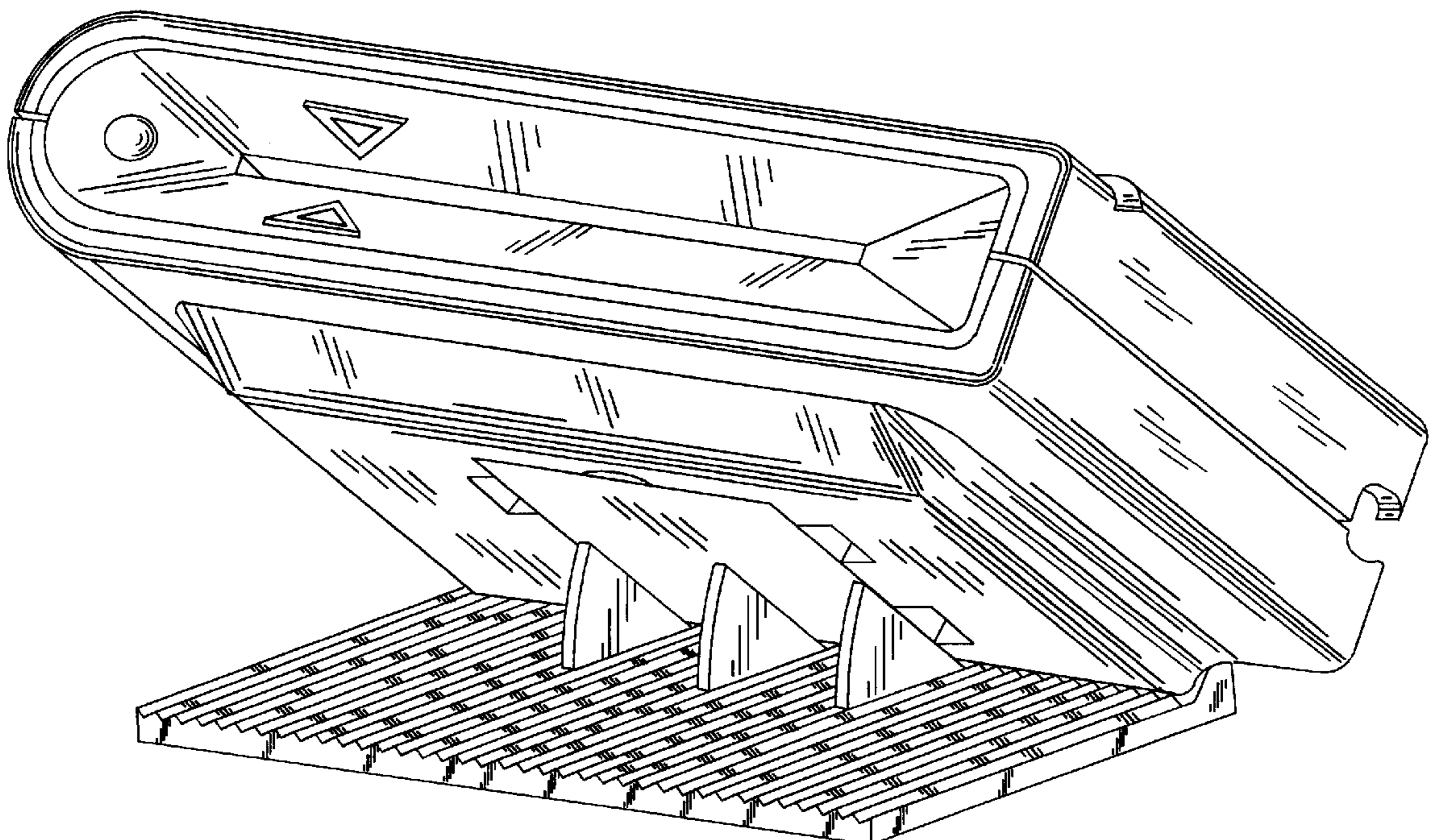


FIG. 1

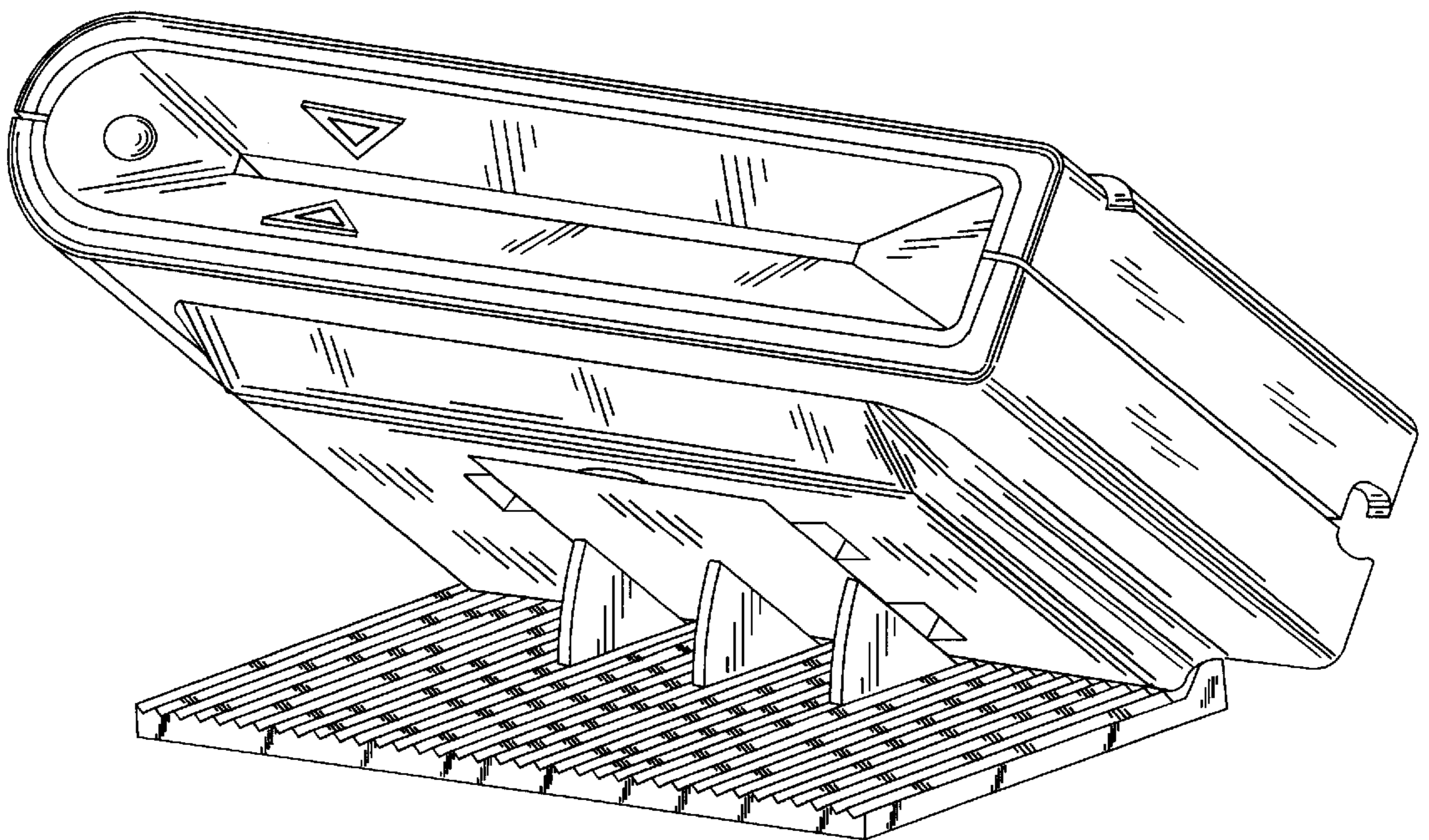


FIG. 2

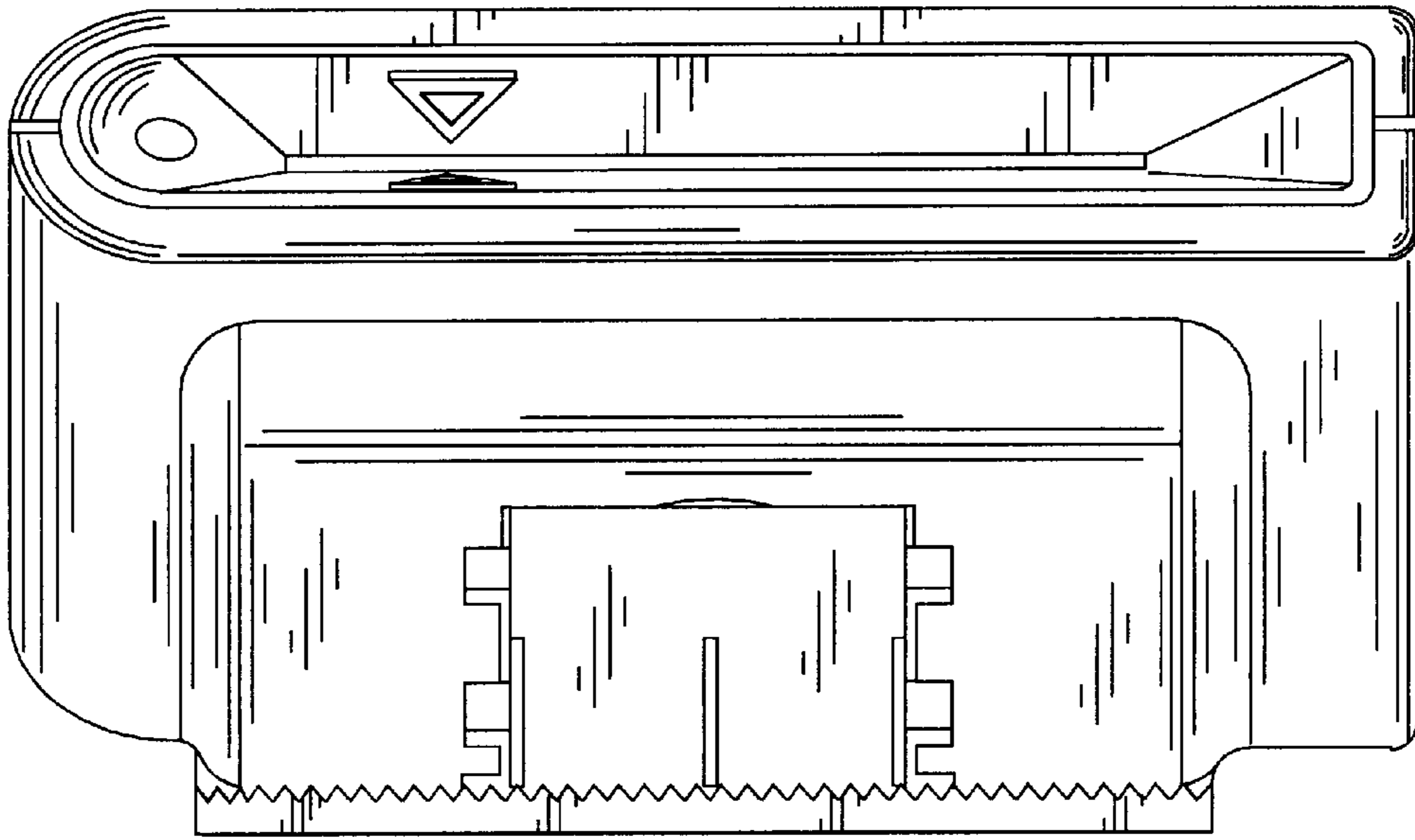


FIG. 3

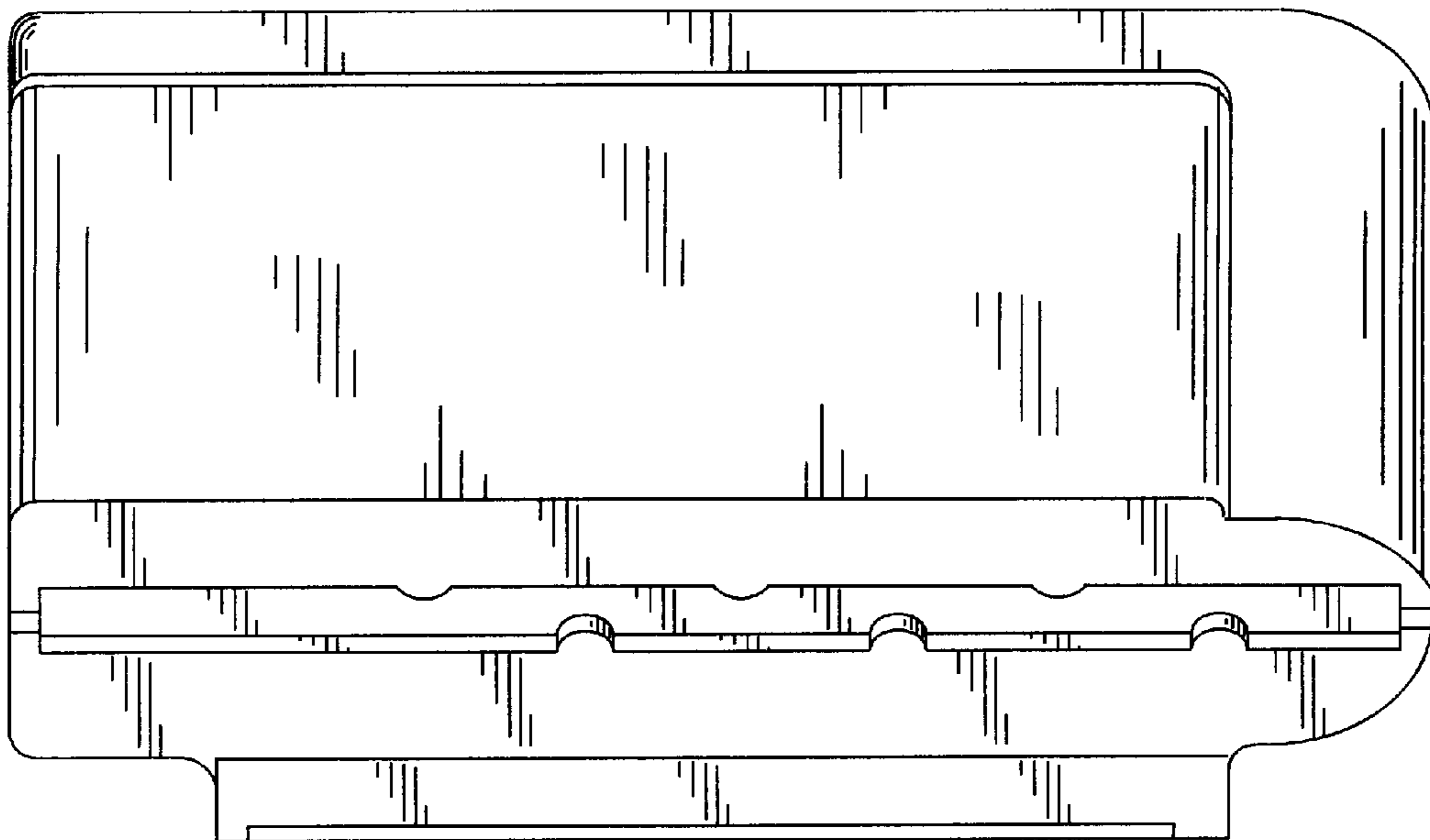


FIG. 4

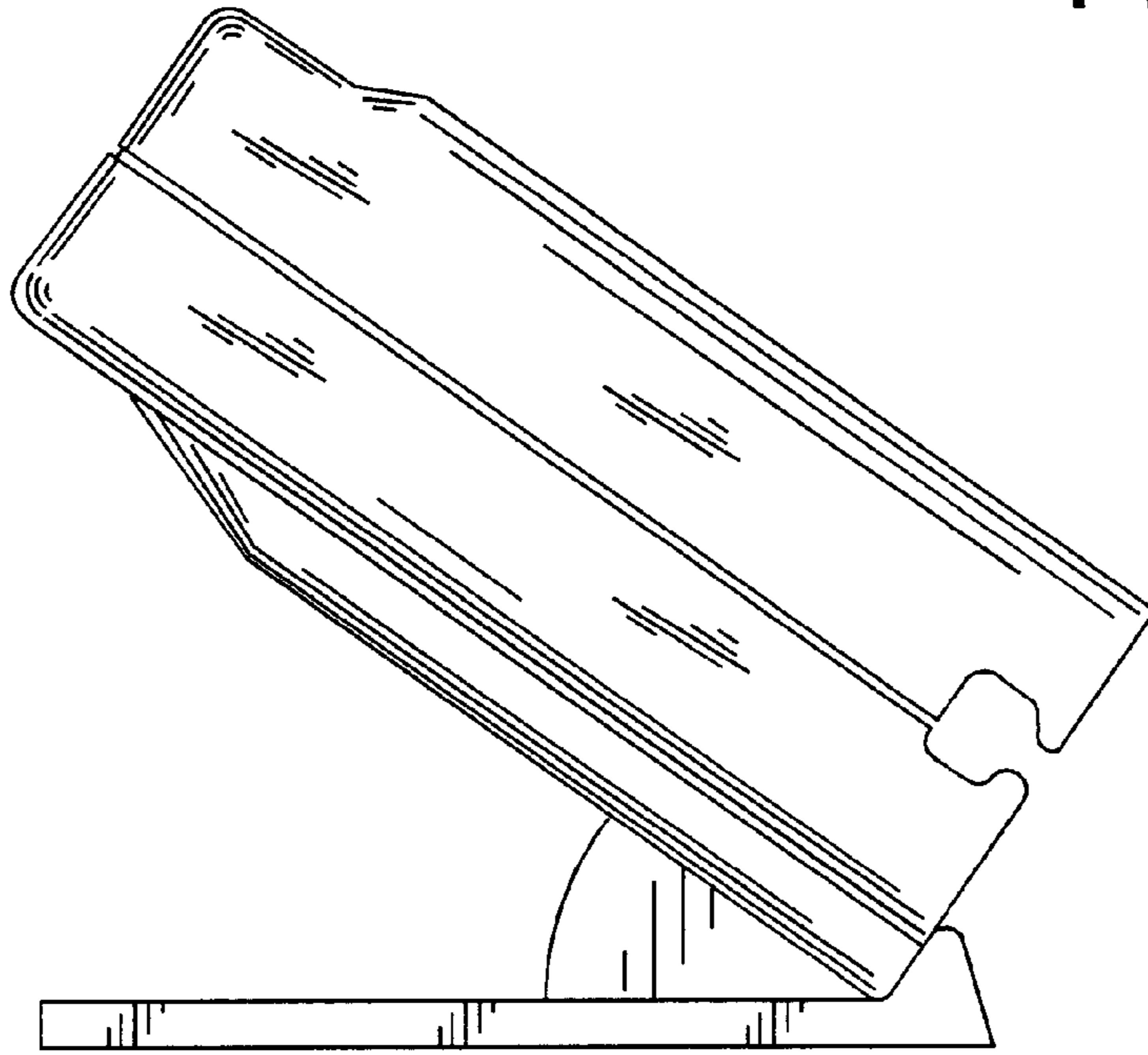


FIG. 5

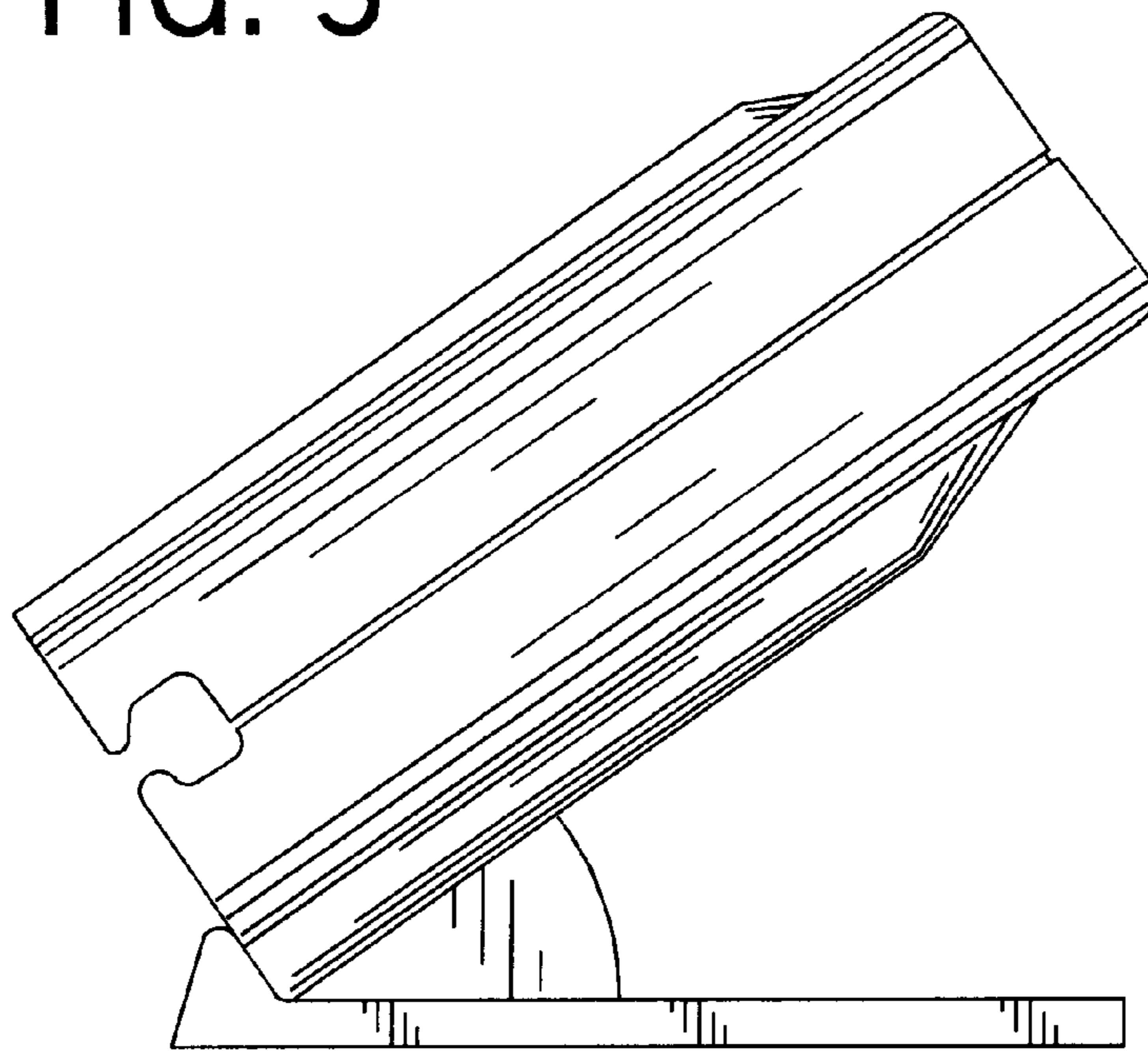


FIG. 6

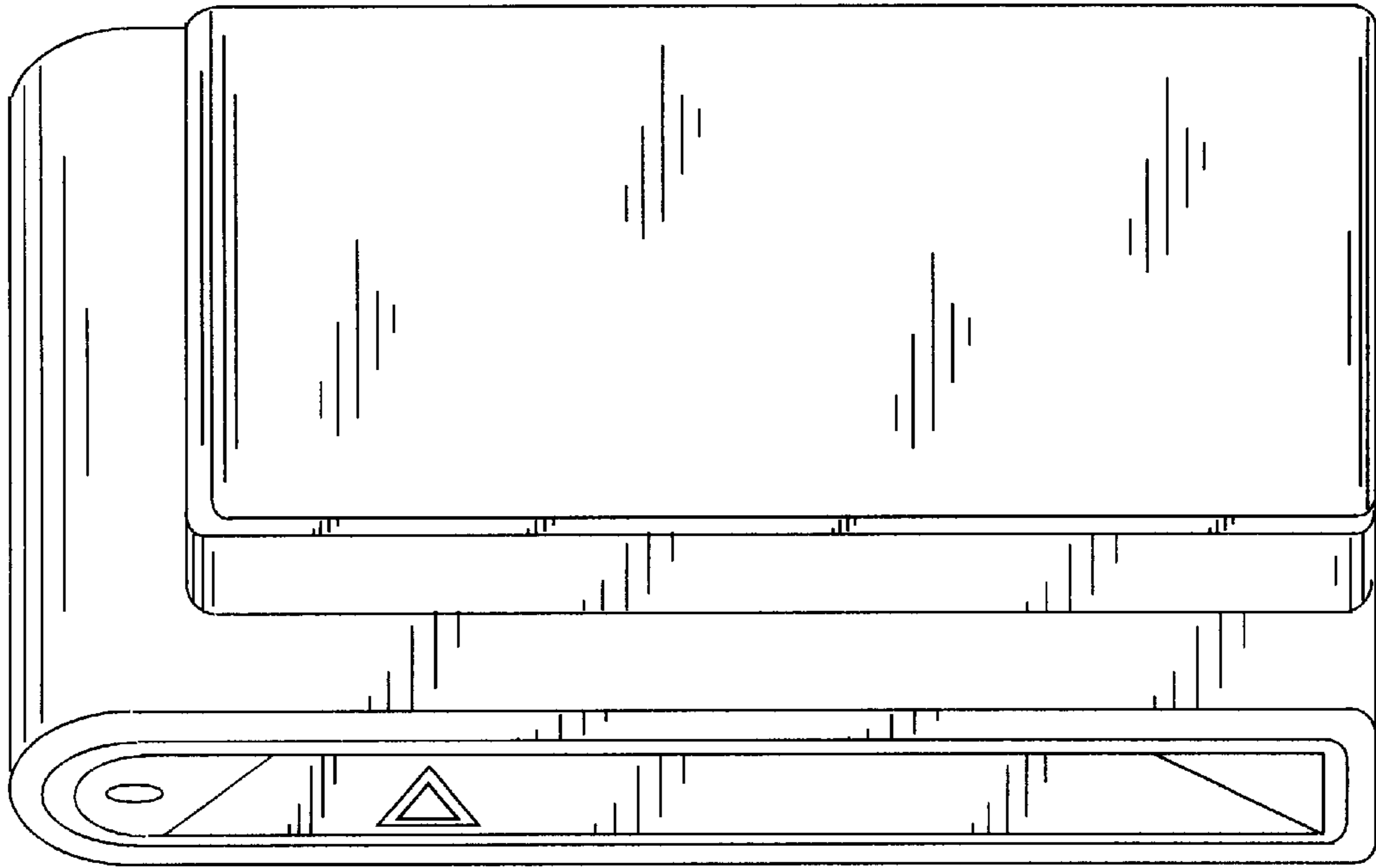


FIG. 7

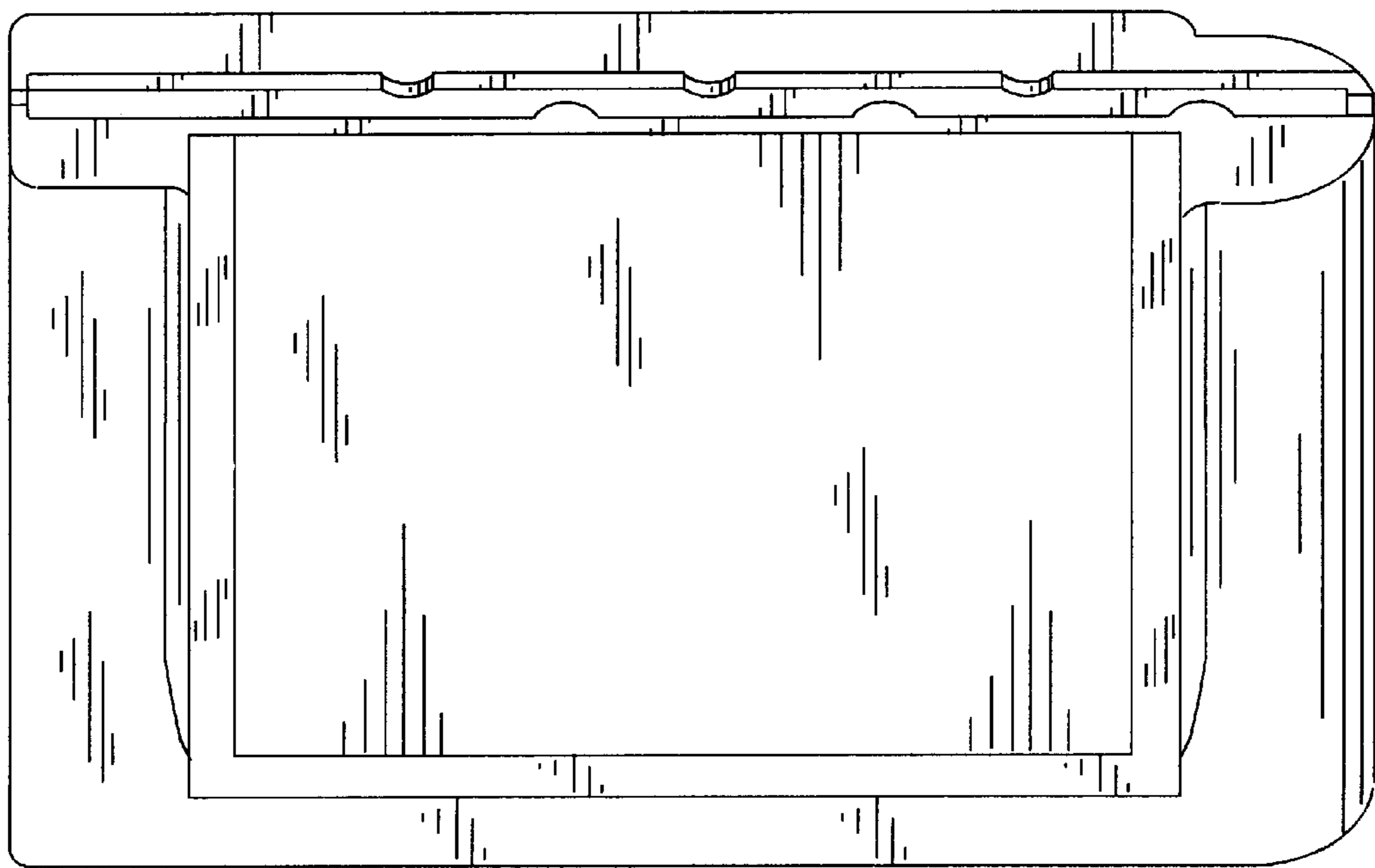


FIG. 8

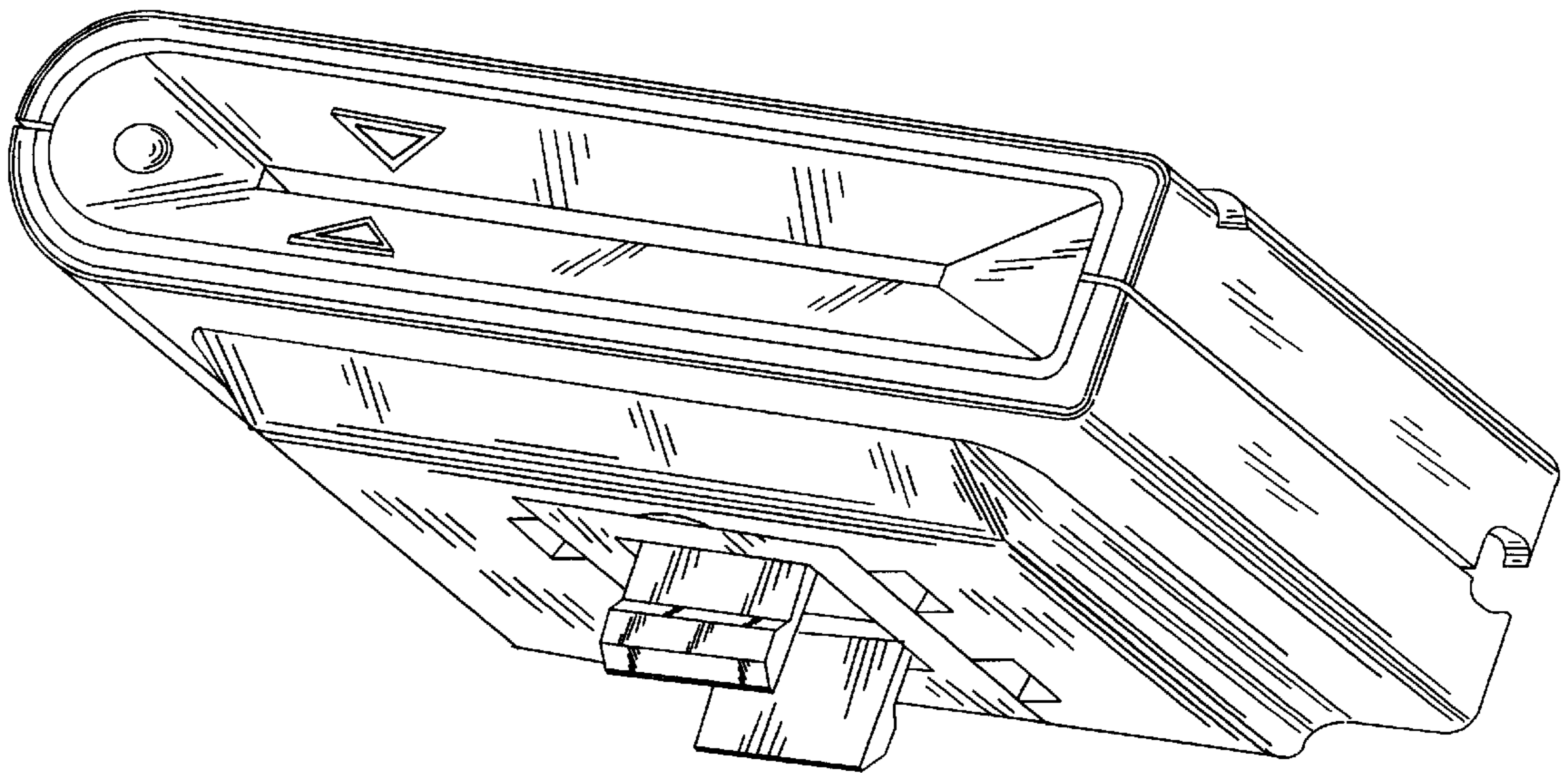


FIG. 9

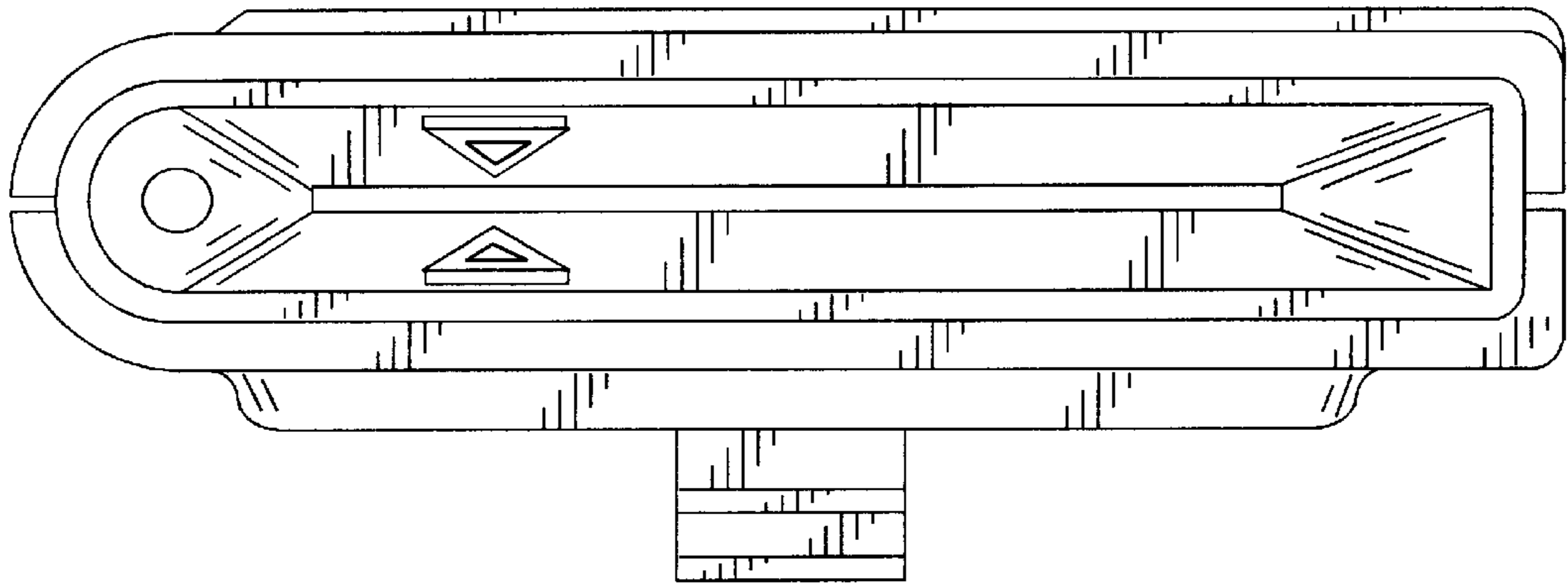


FIG. 10

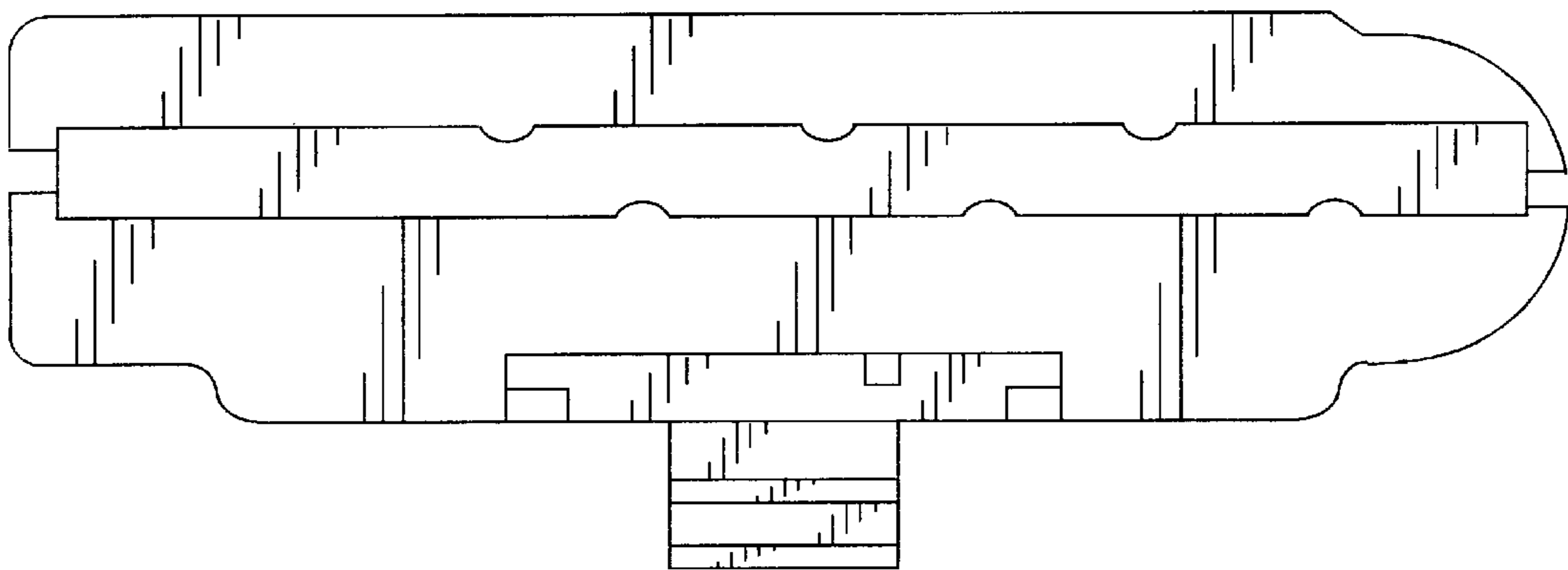


FIG. 11

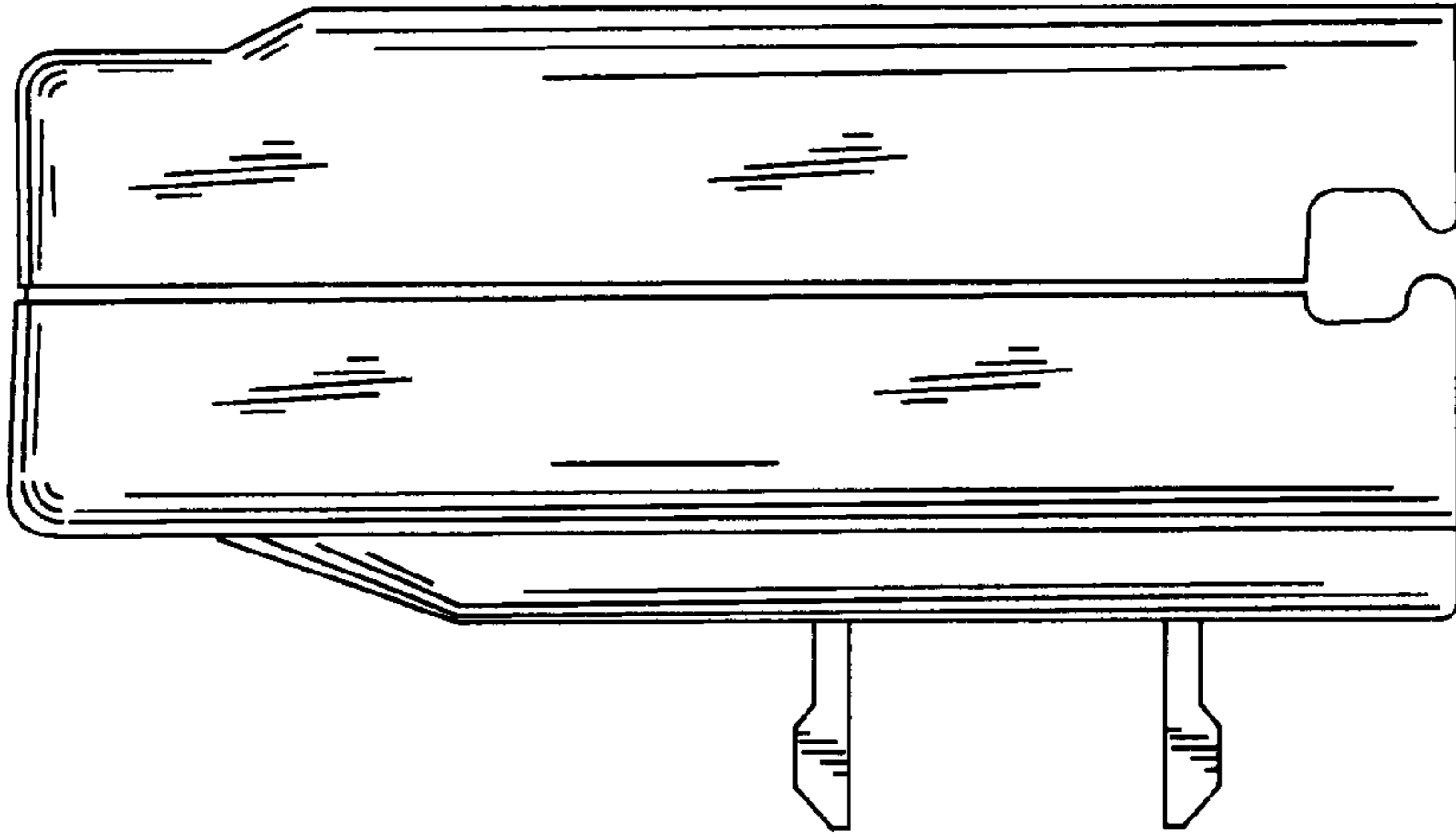


FIG. 12

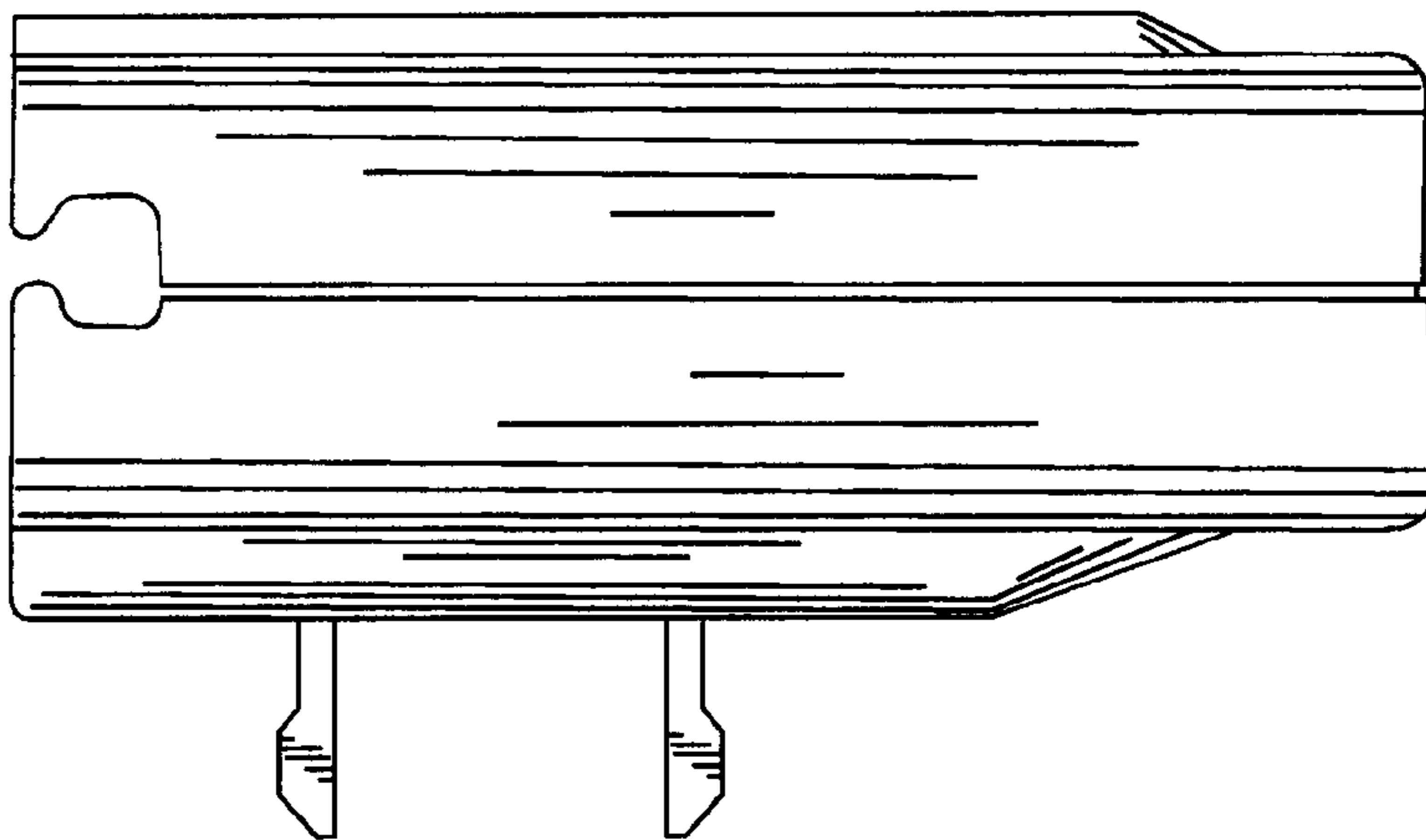


FIG. 13

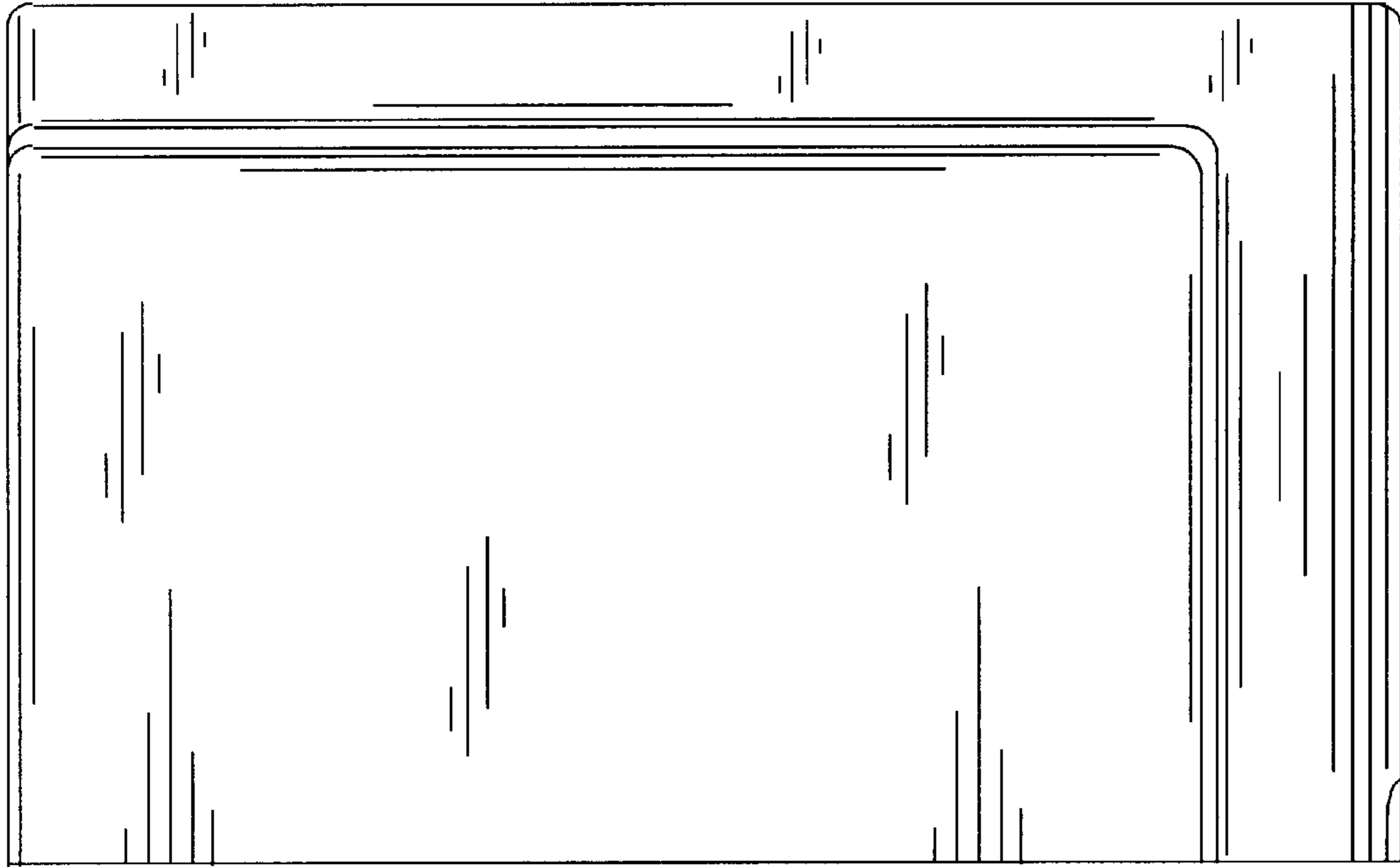


FIG. 14

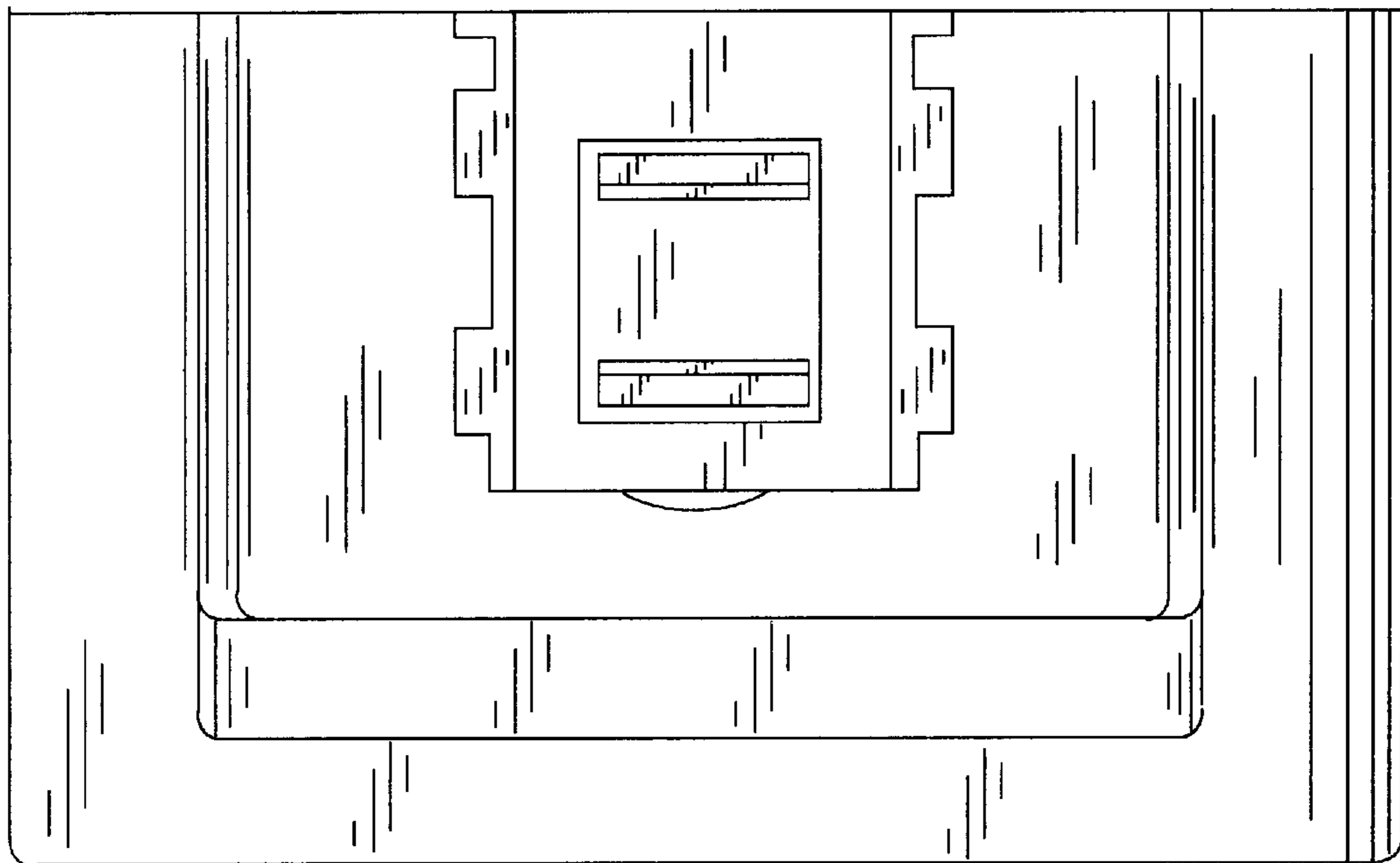


FIG. 15

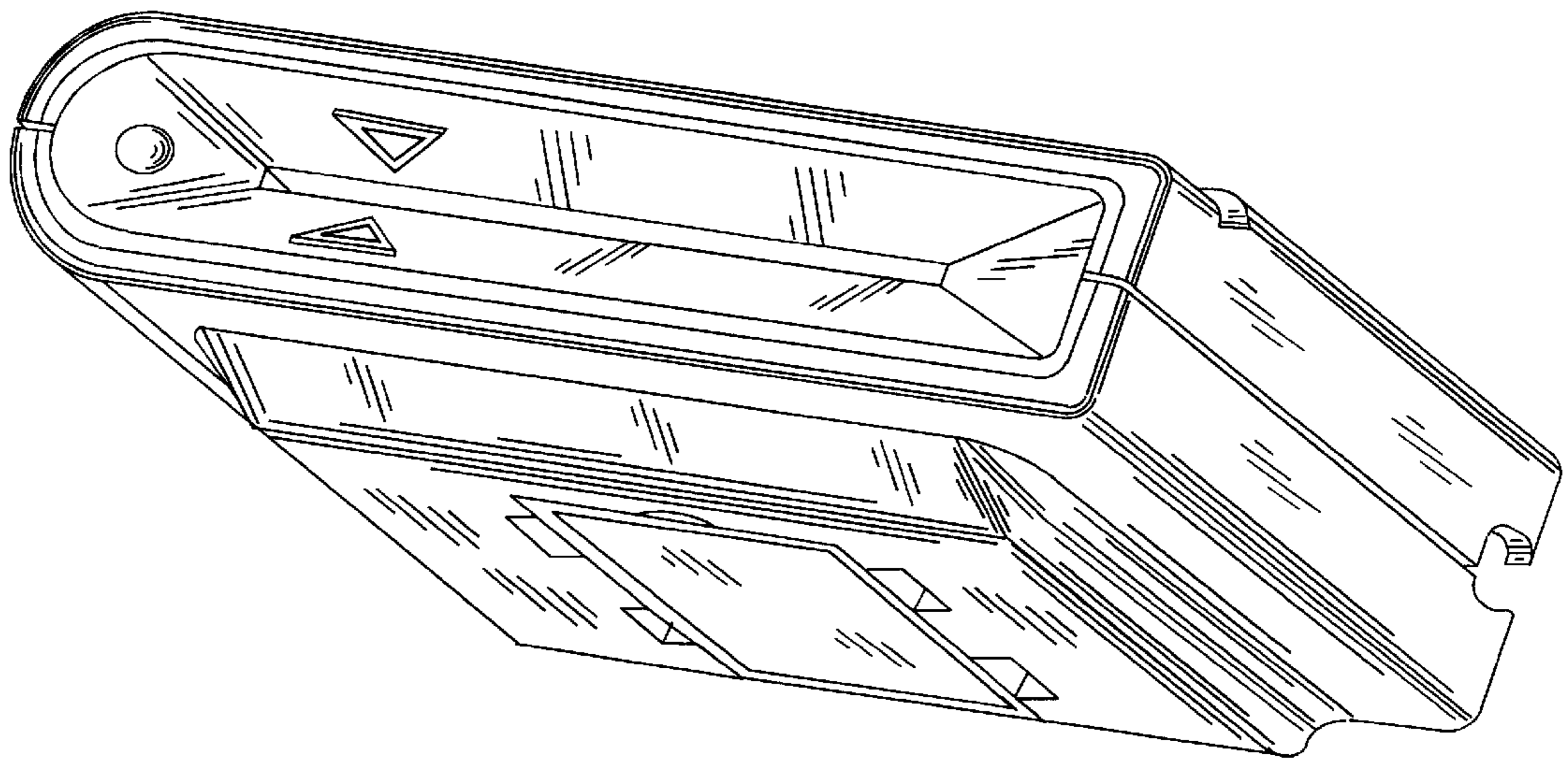


FIG. 16

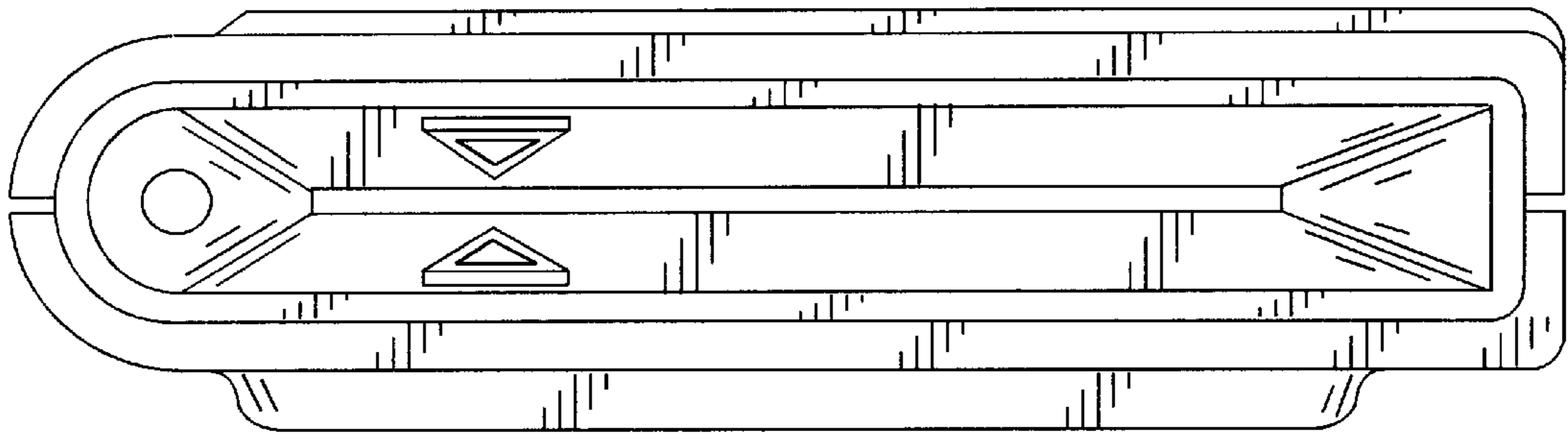


FIG. 17

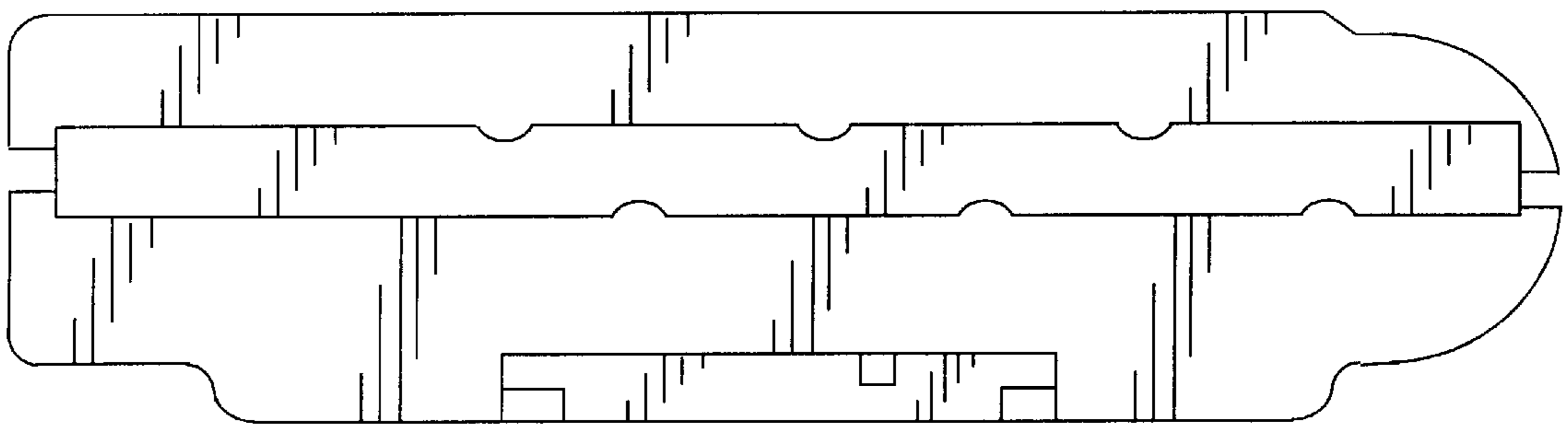


FIG. 18

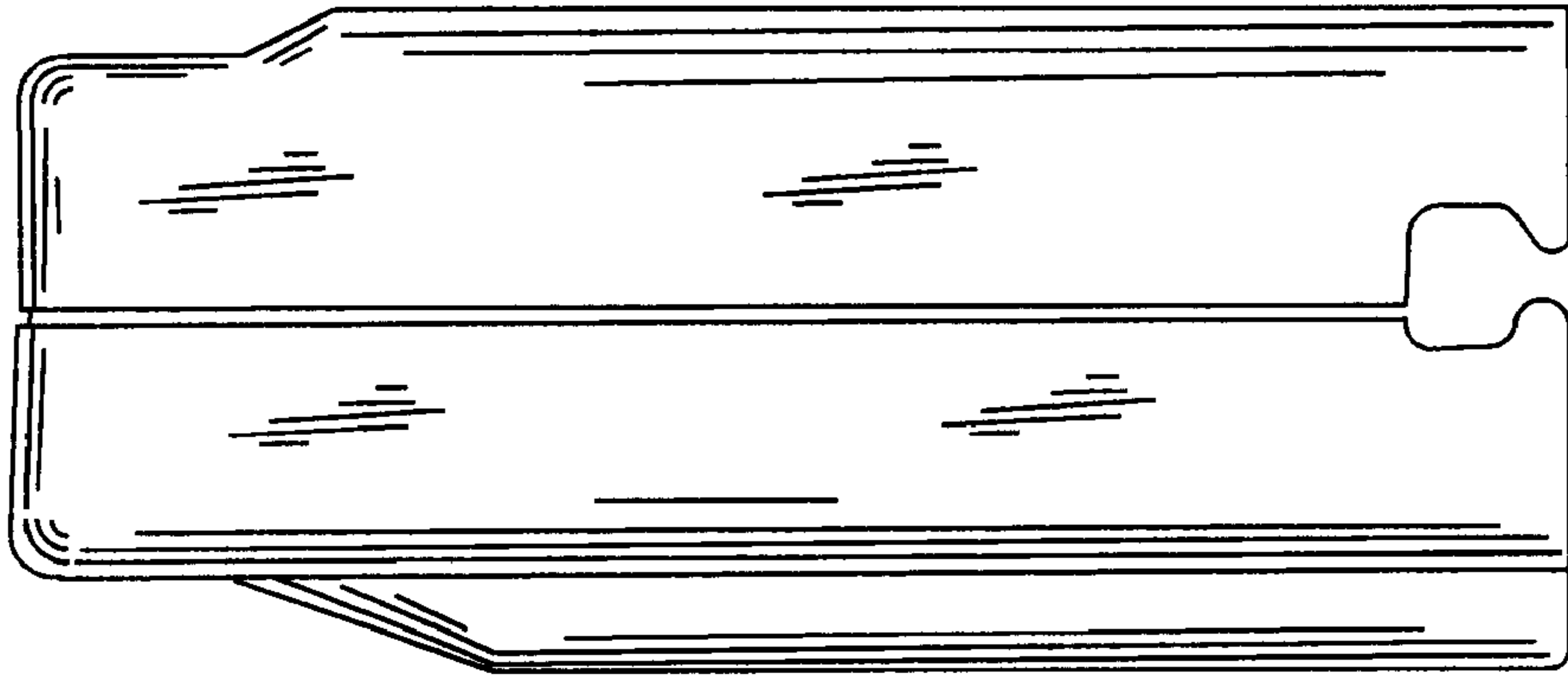


FIG. 19

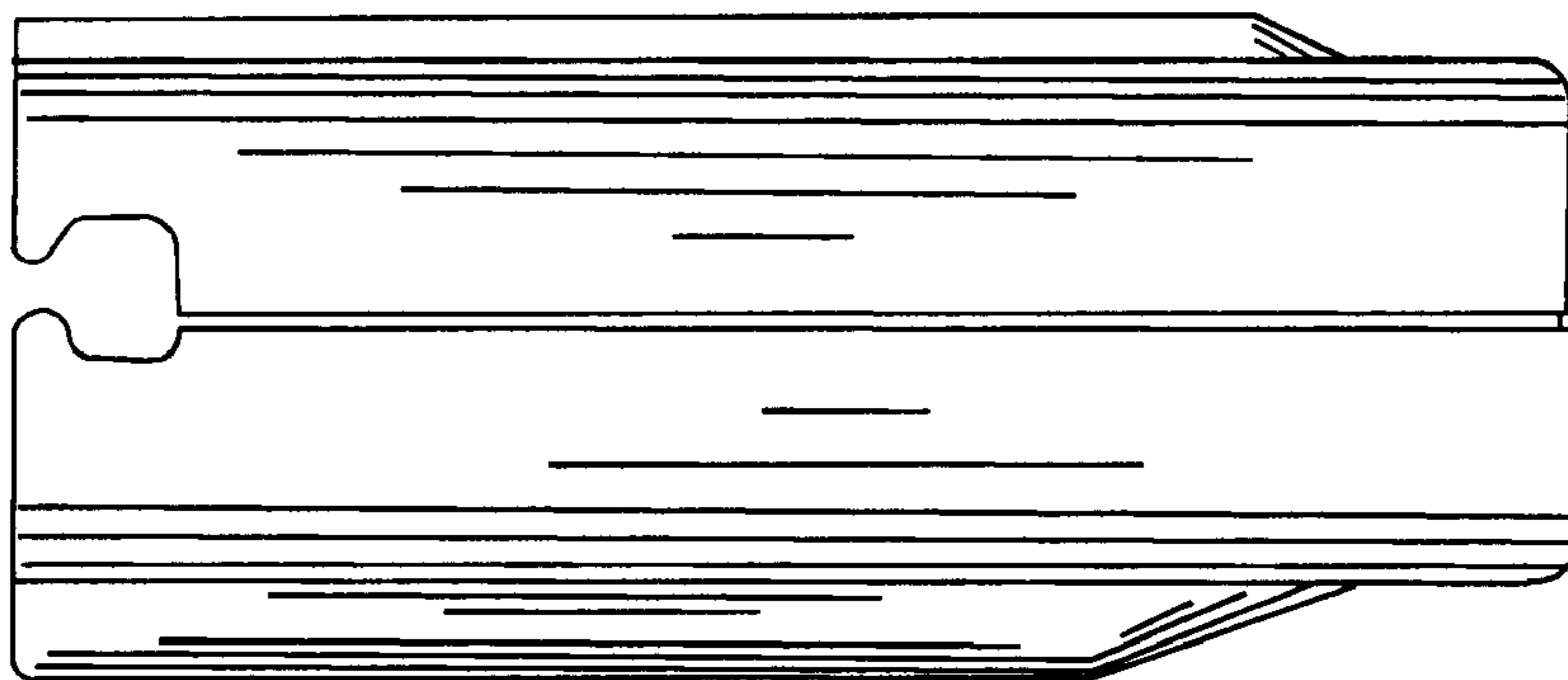


FIG. 20

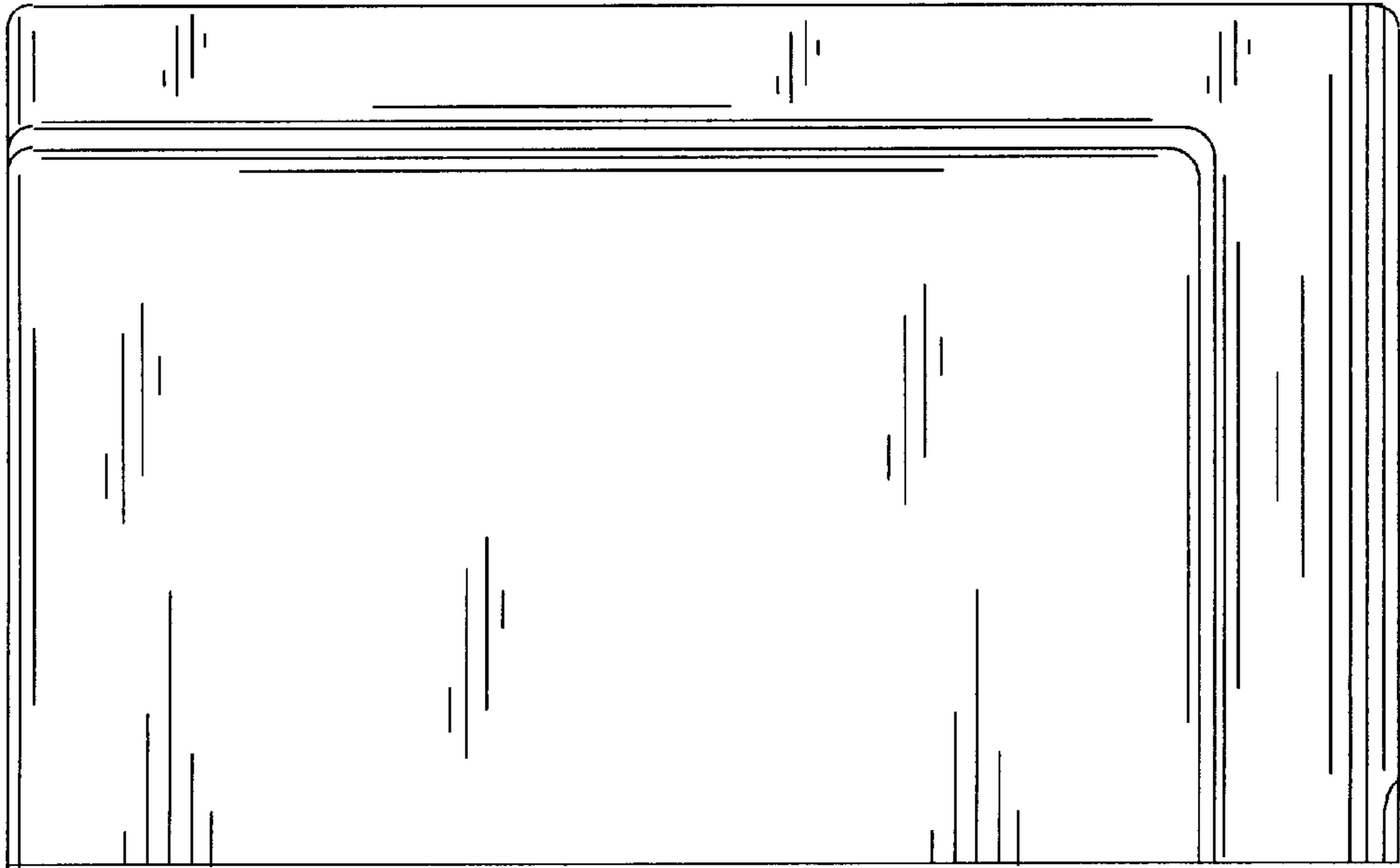


FIG. 21

