



US00D423965S

United States Patent [19] Gander et al.

[11] **Patent Number: Des. 423,965**

[45] **Date of Patent: ** May 2, 2000**

[54] **SCALE**

D. 350,295 9/1994 Reeder D10/91
D. 366,001 1/1996 Mimoto D10/91

[75] Inventors: **Terry Gander**, Bracknell; **Martin Gaze**, Woking, both of United Kingdom

Primary Examiner—Antoine Duval Davis
Attorney, Agent, or Firm—Kirschstein et al.

[73] Assignee: **GEC Avery Limited**, United Kingdom

[**] Term: **14 Years**

[57] CLAIM

The ornamental design for scale, as shown.

[21] Appl. No.: **29/102,055**

DESCRIPTION

[22] Filed: **Mar. 16, 1999**

[30] Foreign Application Priority Data

Sep. 17, 1998 [GB] United Kingdom 2077670

FIG. 1 is a front elevational view of a scale in accordance with the design of our invention;

[51] **LOC (7) Cl.** **10-04**

FIG. 2 is a top plan view thereof;

[52] **U.S. Cl.** **D10/91**

FIG. 3 is a rear elevational view thereof;

[58] **Field of Search** D10/91; 177/210 R,
177/211, 228, 227, 229, 225, 230-232,
238-243, 245, 253, 255, 262

FIG. 4 is a left side elevational view thereof;

FIG. 5 is a right side elevational view thereof;

FIG. 6 is a bottom plan view thereof; and,

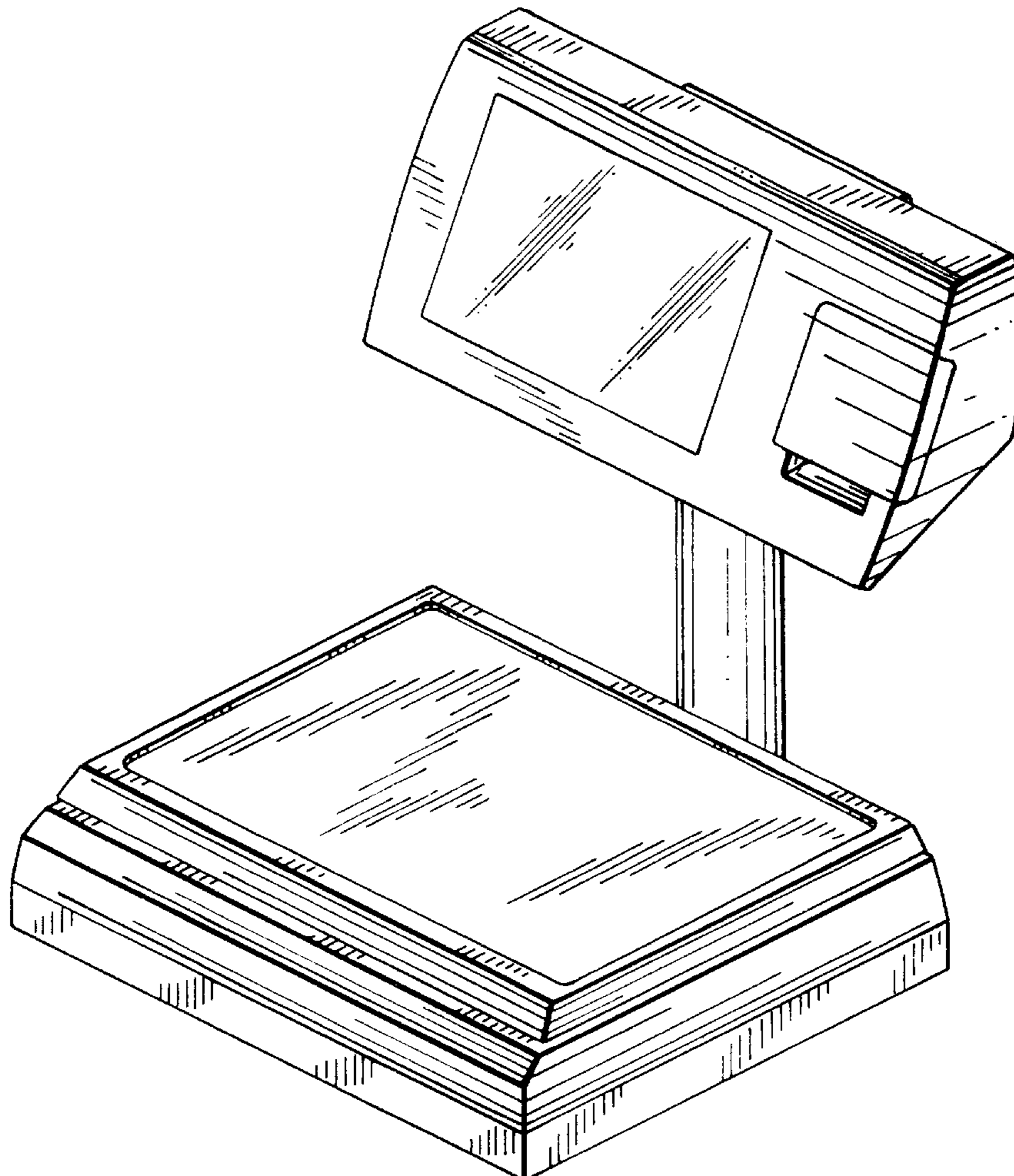
FIG. 7 is a front, top and right side, perspective view thereof.

[56] References Cited

U.S. PATENT DOCUMENTS

D. 339,538 9/1993 Fellmann D10/91

1 Claim, 7 Drawing Sheets



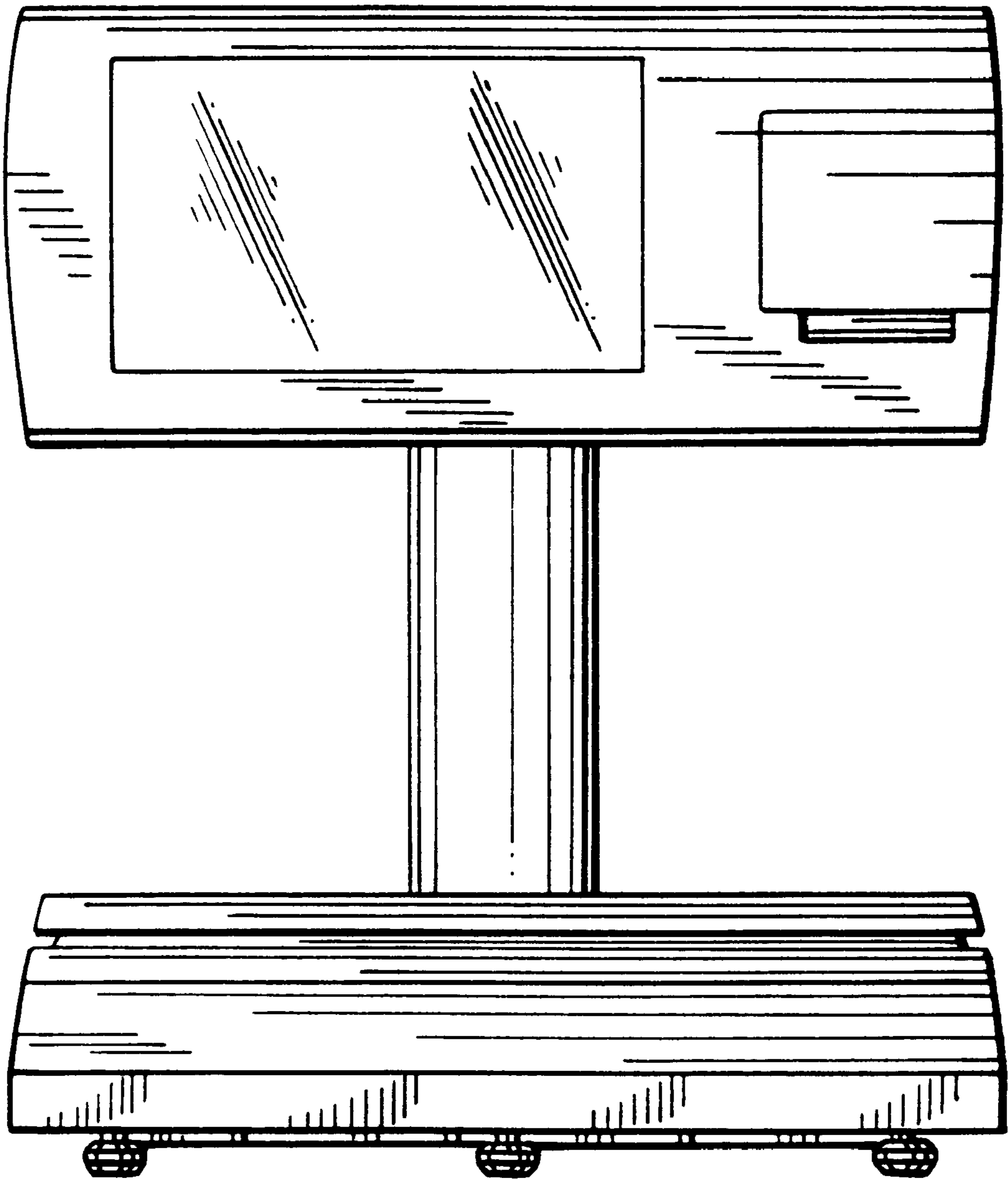


FIG. 1

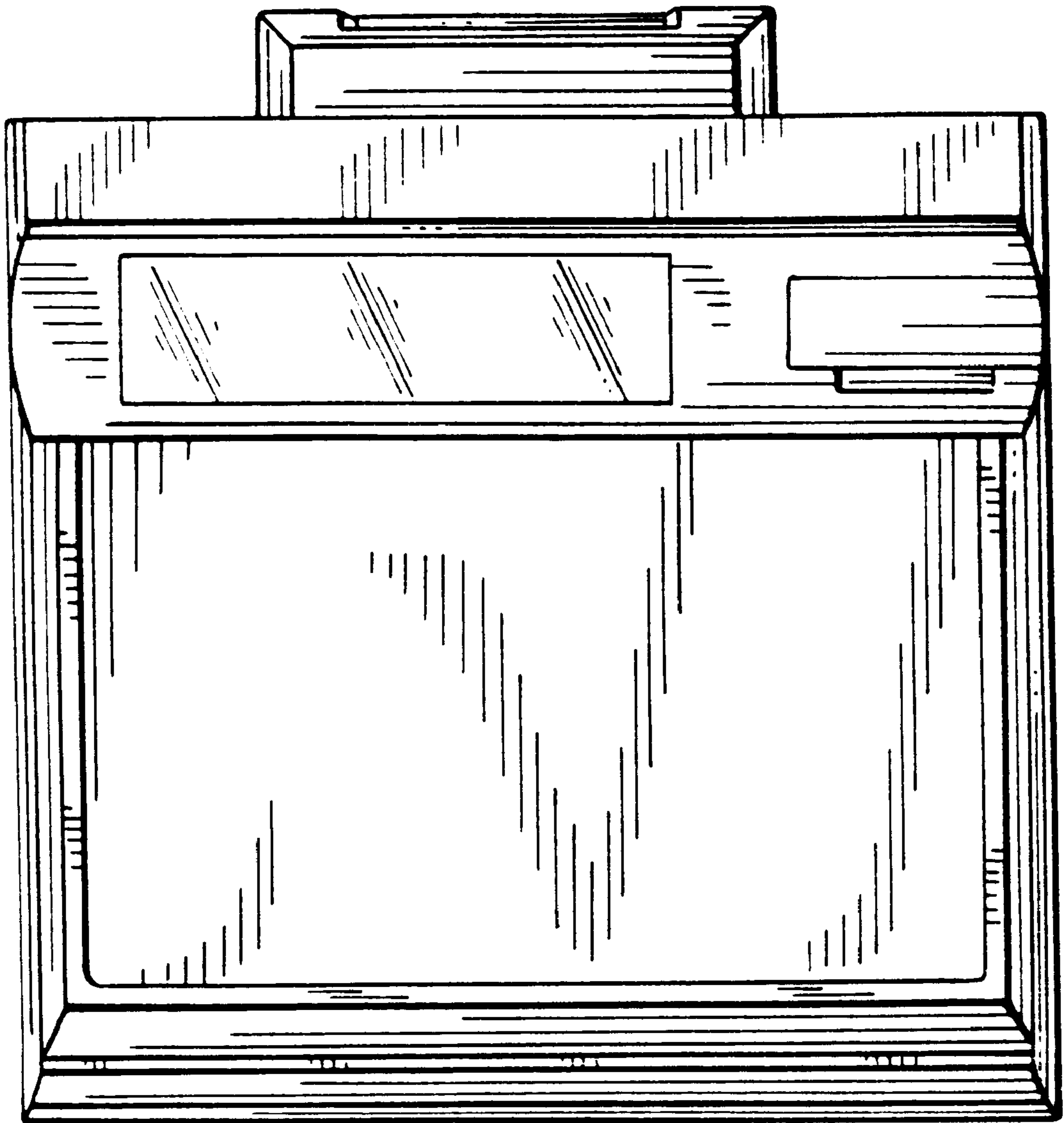


FIG. 2

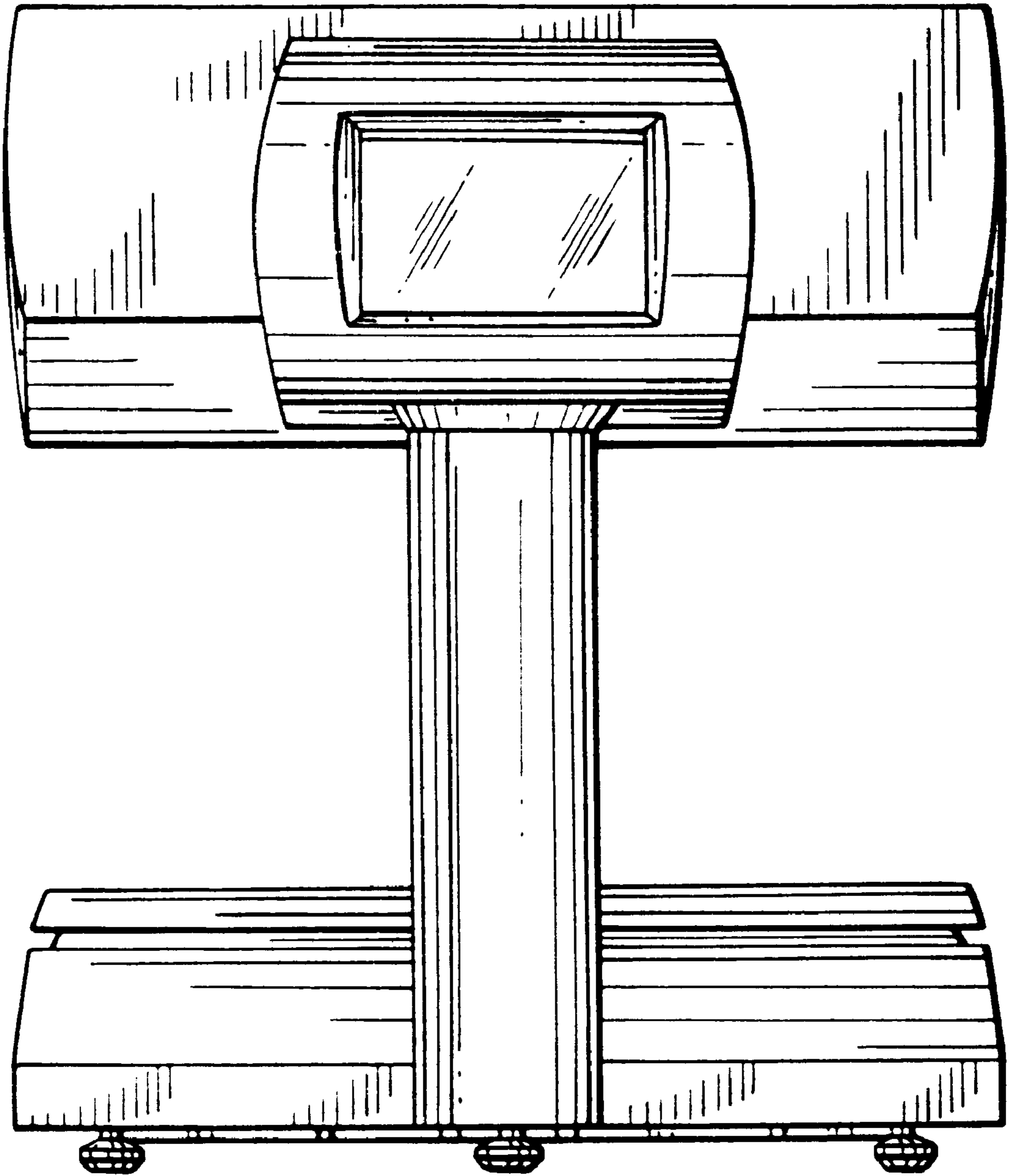


FIG. 3

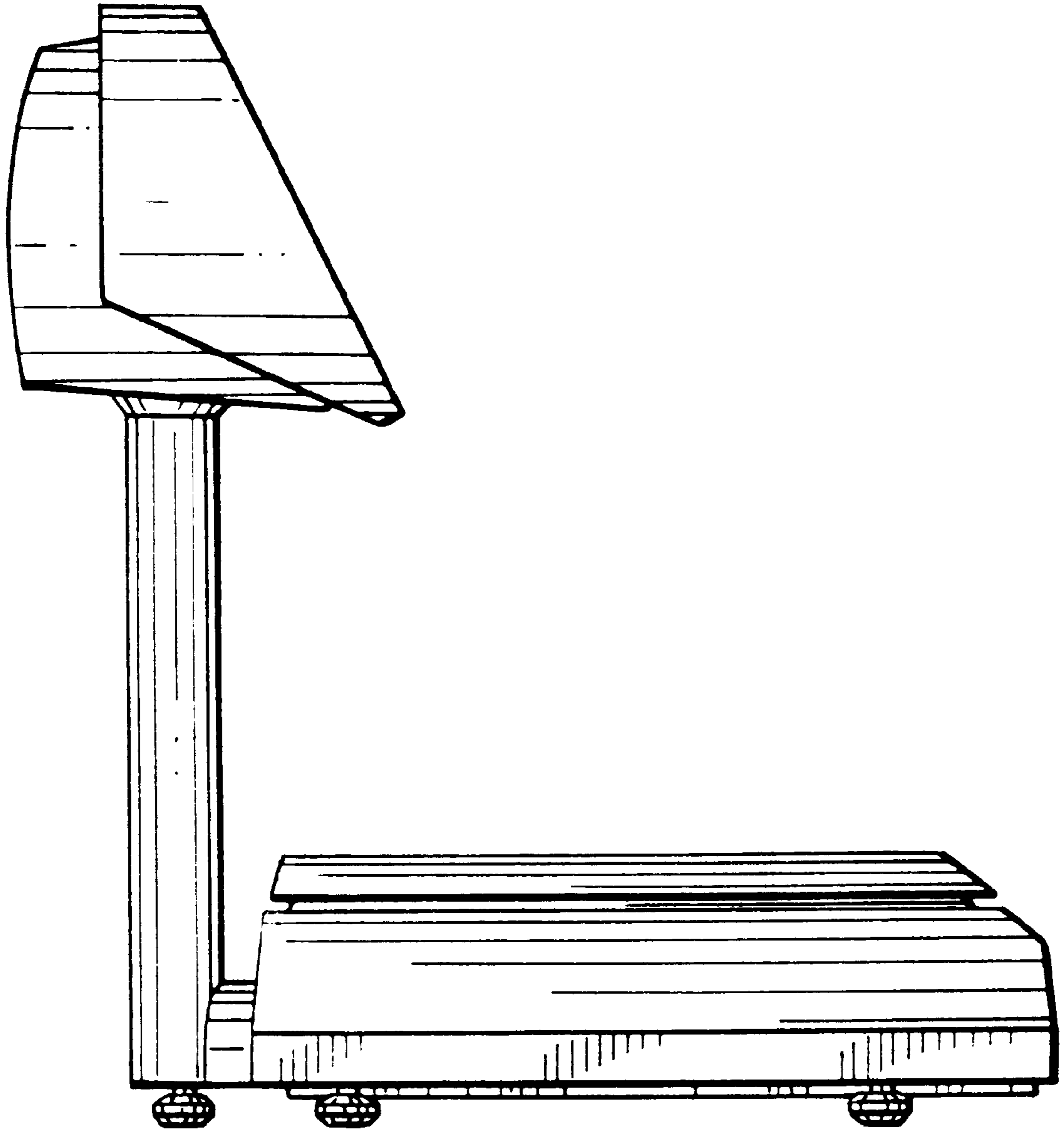


FIG. 4

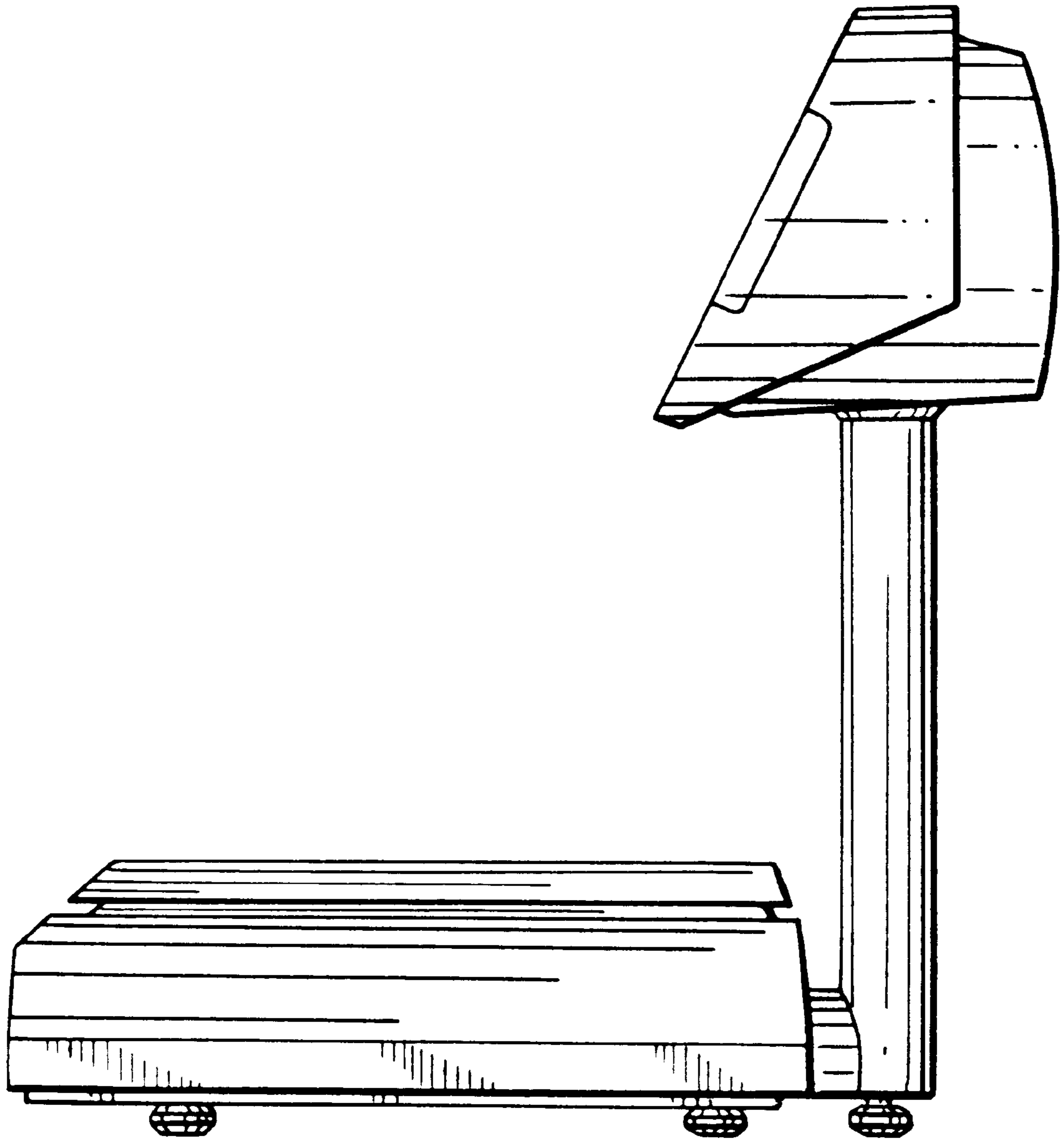


FIG. 5

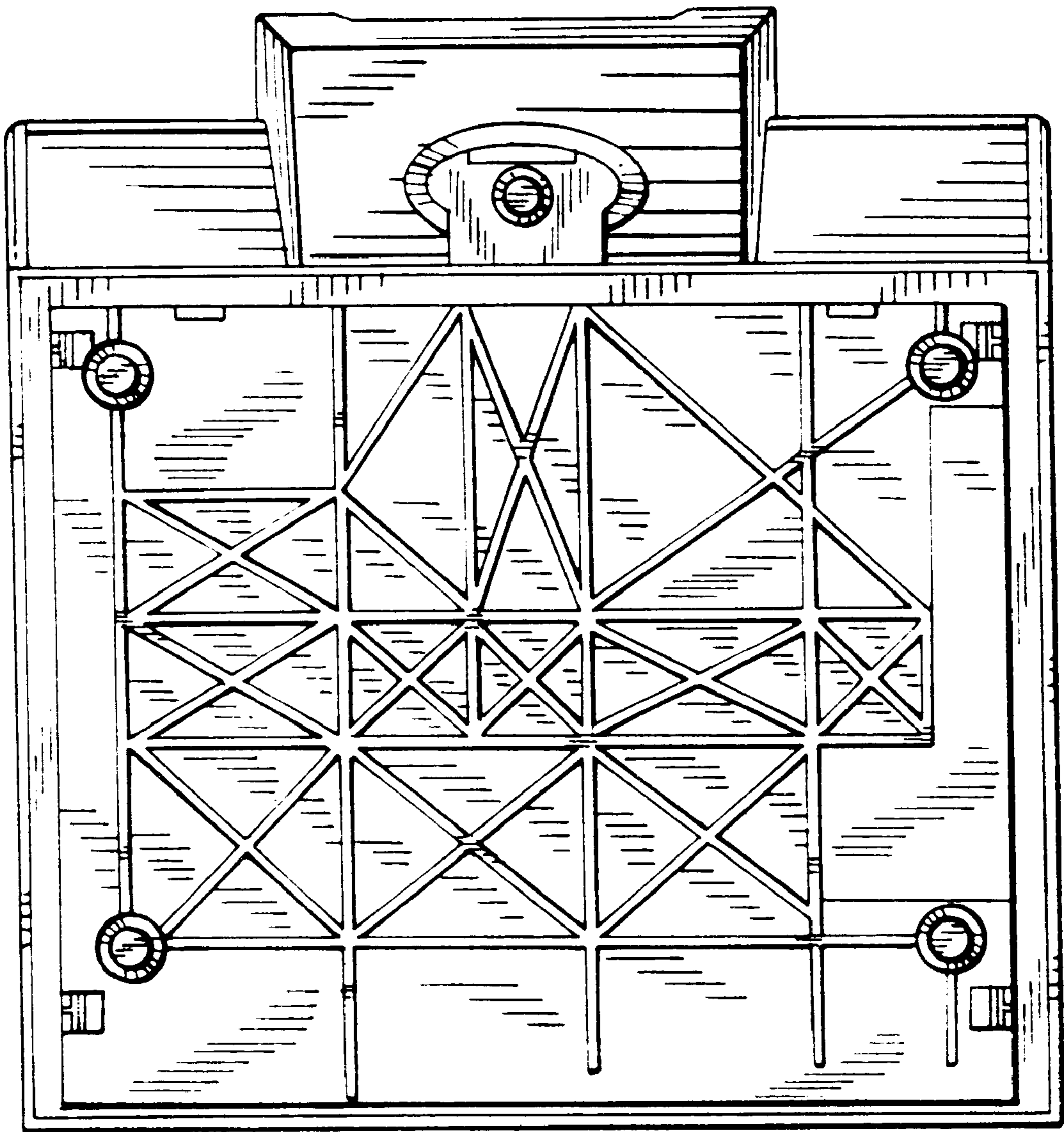


FIG. 6

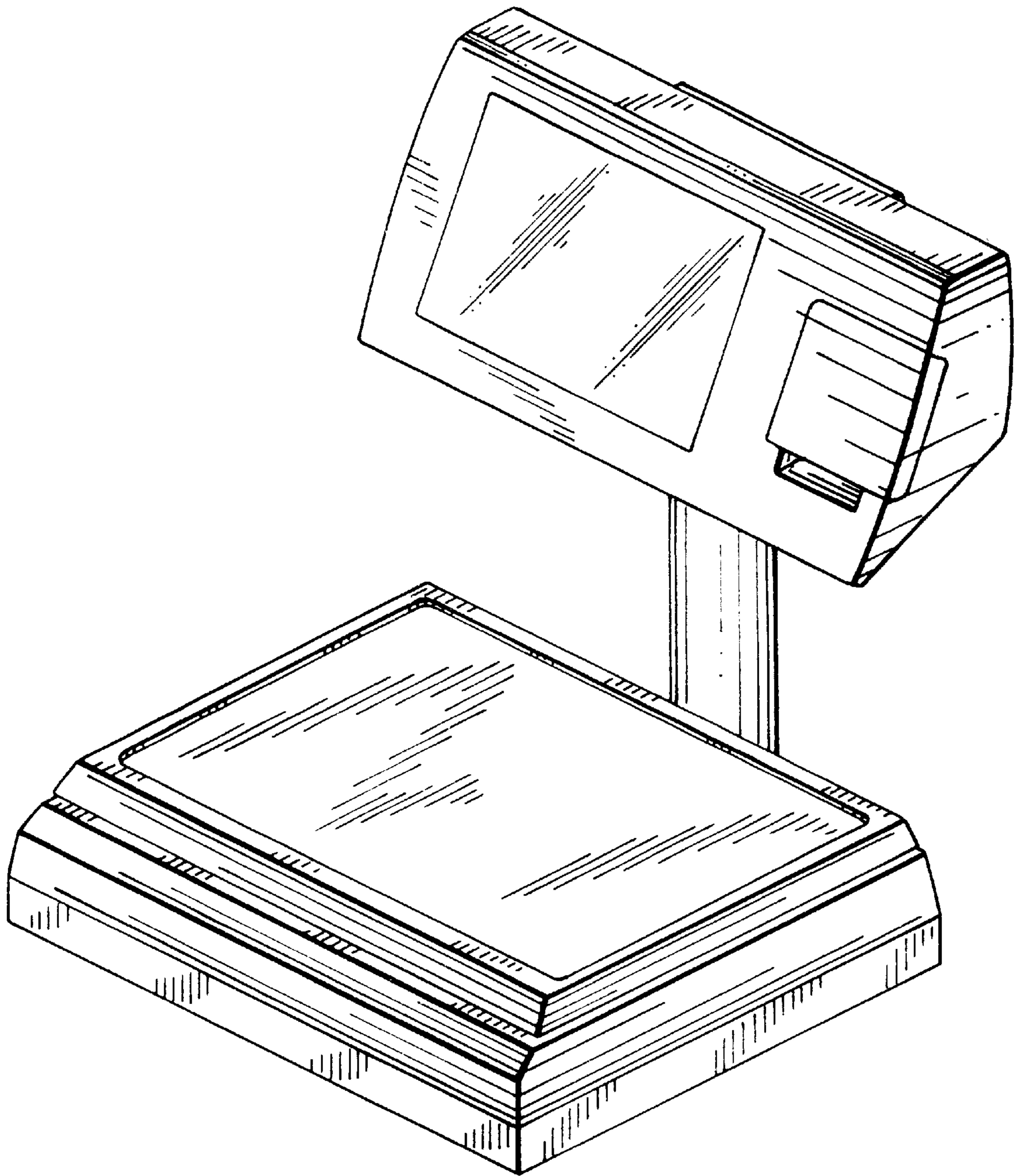


FIG. 7