



US00D423961S

United States Patent [19]

[11] Patent Number: Des. 423,961

Hemmelgarn et al.

[45] Date of Patent: ** May 2, 2000

[54] BASE PEDESTAL FOR A COORDINATE MEASURING MACHINE

[75] Inventors: **Thomas L. Hemmelgarn**, Vandalia; **Freddie L. Raleigh**, Centerville; **Elmer D. Marriott**, Dayton, all of Ohio

[73] Assignee: **Giddings & Lewis, Inc.**

[**] Term: **14 Years**

[21] Appl. No.: **29/102,073**

[22] Filed: **Mar. 15, 1999**

Related U.S. Application Data

[63] Continuation-in-part of application No. 29/075,502, Aug. 18, 1997, Pat. No. Des. 406,776, and a continuation-in-part of application No. 29/075,416, Aug. 18, 1997, Pat. No. Des. 407,336.

[51] **LOC (7) Cl.** **10-04**

[52] **U.S. Cl.** **D10/74**

[58] **Field of Search** D10/46, 74; 33/1 M, 33/502, 503, 504, 556, 557, 573

[56] References Cited

U.S. PATENT DOCUMENTS

- D. 406,776 3/1999 Hemmelgarn et al. D10/46
- D. 407,336 3/1999 Hemmelgarn et al. D10/74

Primary Examiner—Antoine Duval Davis
Attorney, Agent, or Firm—Foley & Lardner

[57] CLAIM

The ornamental design for a base pedestal for a coordinate measuring machine, as shown and described.

DESCRIPTION

FIG. 1 is a perspective view of a base pedestal for a coordinate measuring machine of the claimed design; FIG. 2 is a top plan view of the base pedestal of FIG. 1; FIG. 3 is a front elevational view of the base pedestal of FIG. 1; FIG. 4 is a right side elevational view of the base pedestal of FIG. 1;

FIG. 5 is a left side elevational view of the base pedestal of FIG. 1;

FIG. 6 is a rear elevational view of the base pedestal of FIG. 1;

FIG. 7 is a perspective view of a second embodiment of a base pedestal for a coordinate measuring machine of the claimed design;

FIG. 8 is a top plan view of the base pedestal of FIG. 7;

FIG. 9 is a front elevational view of the base pedestal of FIG. 7;

FIG. 10 is a left side elevational view of the base pedestal of FIG. 7;

FIG. 11 is a right side elevational view of the base pedestal of FIG. 7;

FIG. 12 is a rear elevational view of the base pedestal of FIG. 7;

FIG. 13 is a perspective view of a third embodiment of a base pedestal for a coordinate measuring machine of the claimed design;

FIG. 14 is a top plan view of the base pedestal of FIG. 13;

FIG. 15 is a front elevational view of the base pedestal of FIG. 13;

FIG. 16 is a right side elevational view of the base pedestal of FIG. 13;

FIG. 17 is a left side elevational view of the base pedestal of FIG. 13;

FIG. 18 is a rear elevational view of the base pedestal of FIG. 13;

FIG. 19 is a perspective view of a fourth embodiment of a base pedestal for a coordinate measuring machine of the claimed design;

FIG. 20 is a top plan view of the base pedestal of FIG. 19;

FIG. 21 is a front elevational view of the base pedestal of FIG. 19;

FIG. 22 is a left side elevational view of the base pedestal of FIG. 19;

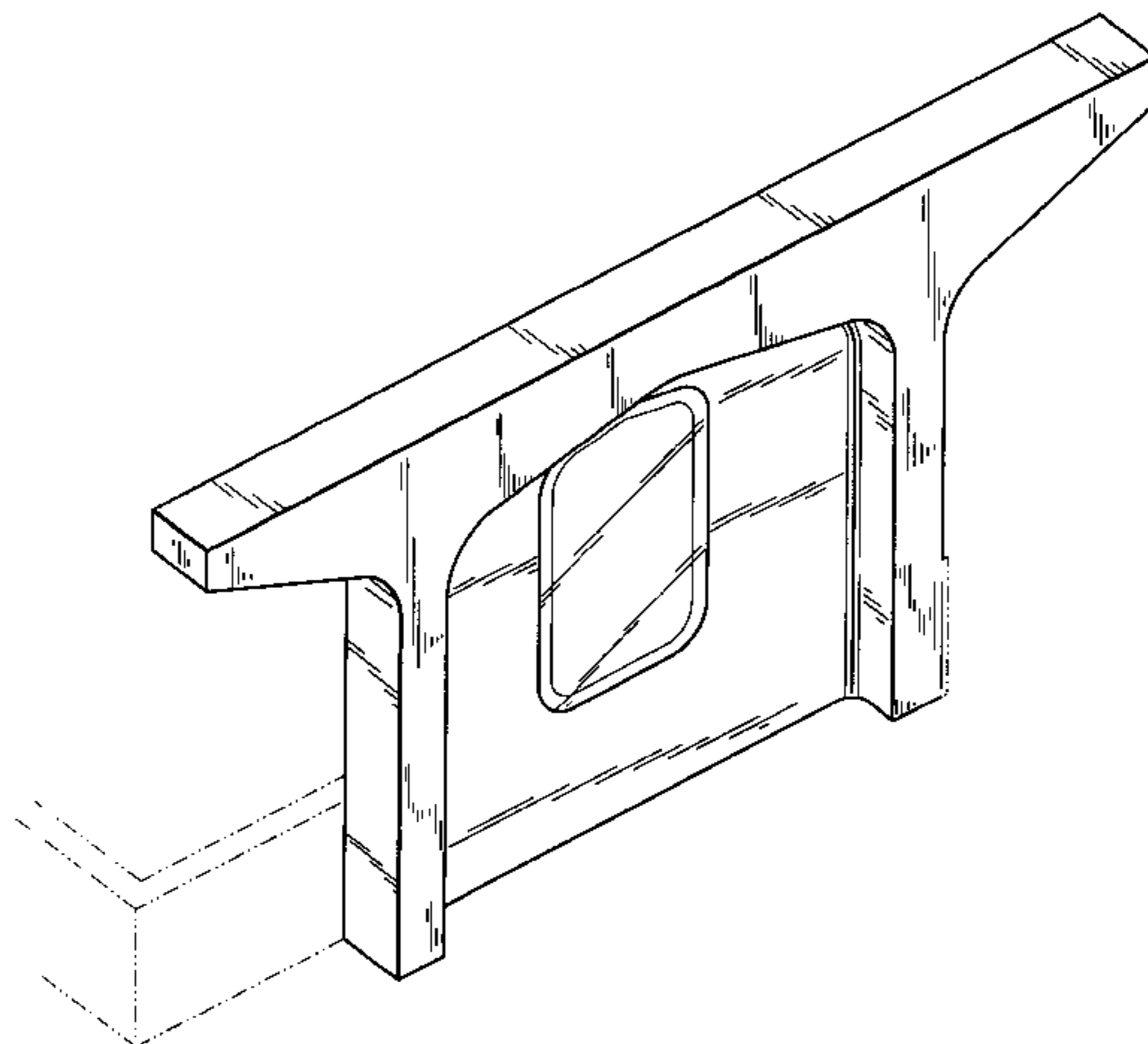
FIG. 23 is a right side elevational view of the base pedestal of FIG. 19; and,

FIG. 24 is a rear elevational view of the base pedestal of FIG. 19.

The ornamental design which is claimed is shown in solid lines in the drawings.

The broken lines in the drawings are for illustrative purposes only and form no part of the claimed design.

1 Claim, 8 Drawing Sheets



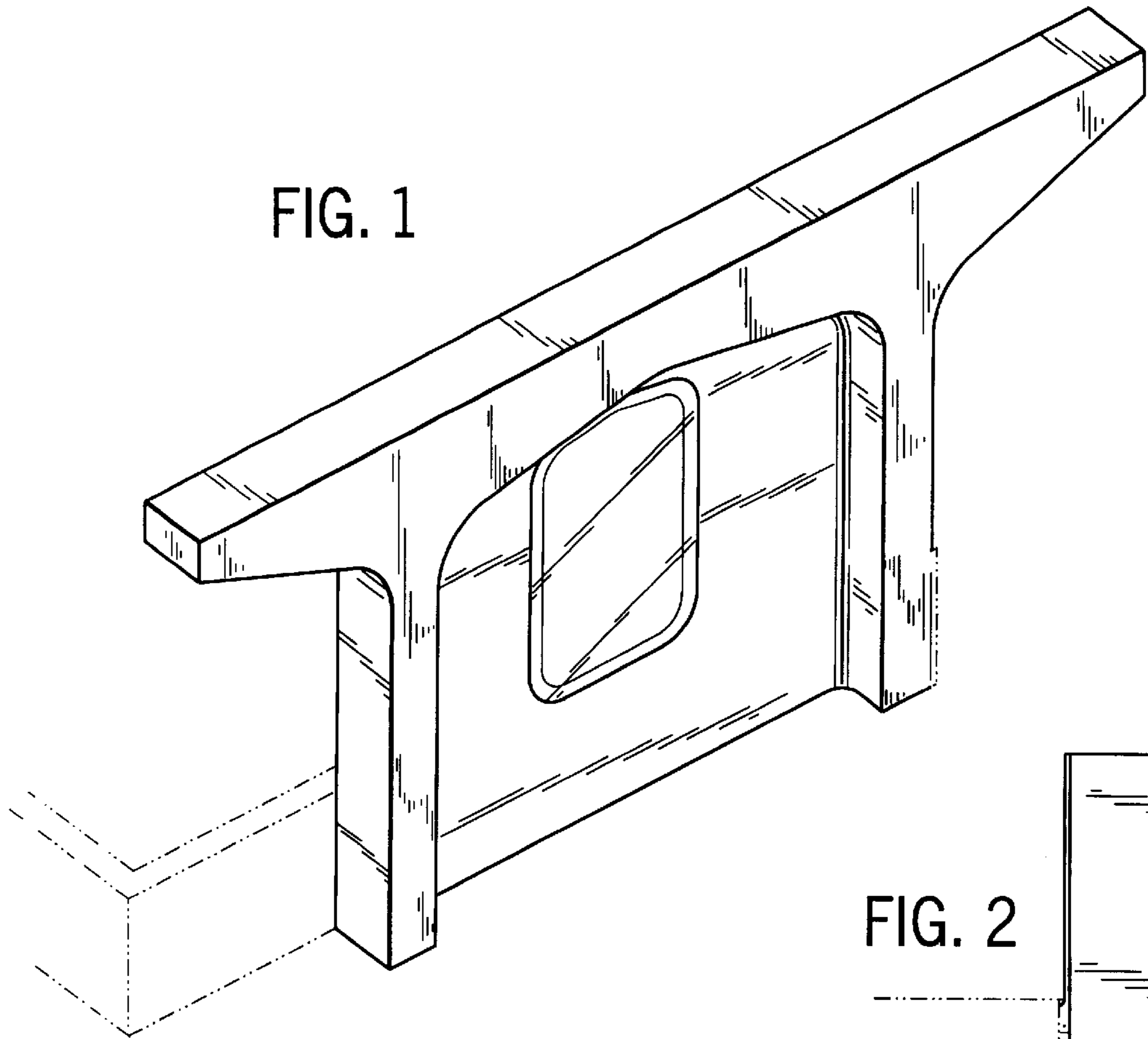


FIG. 2

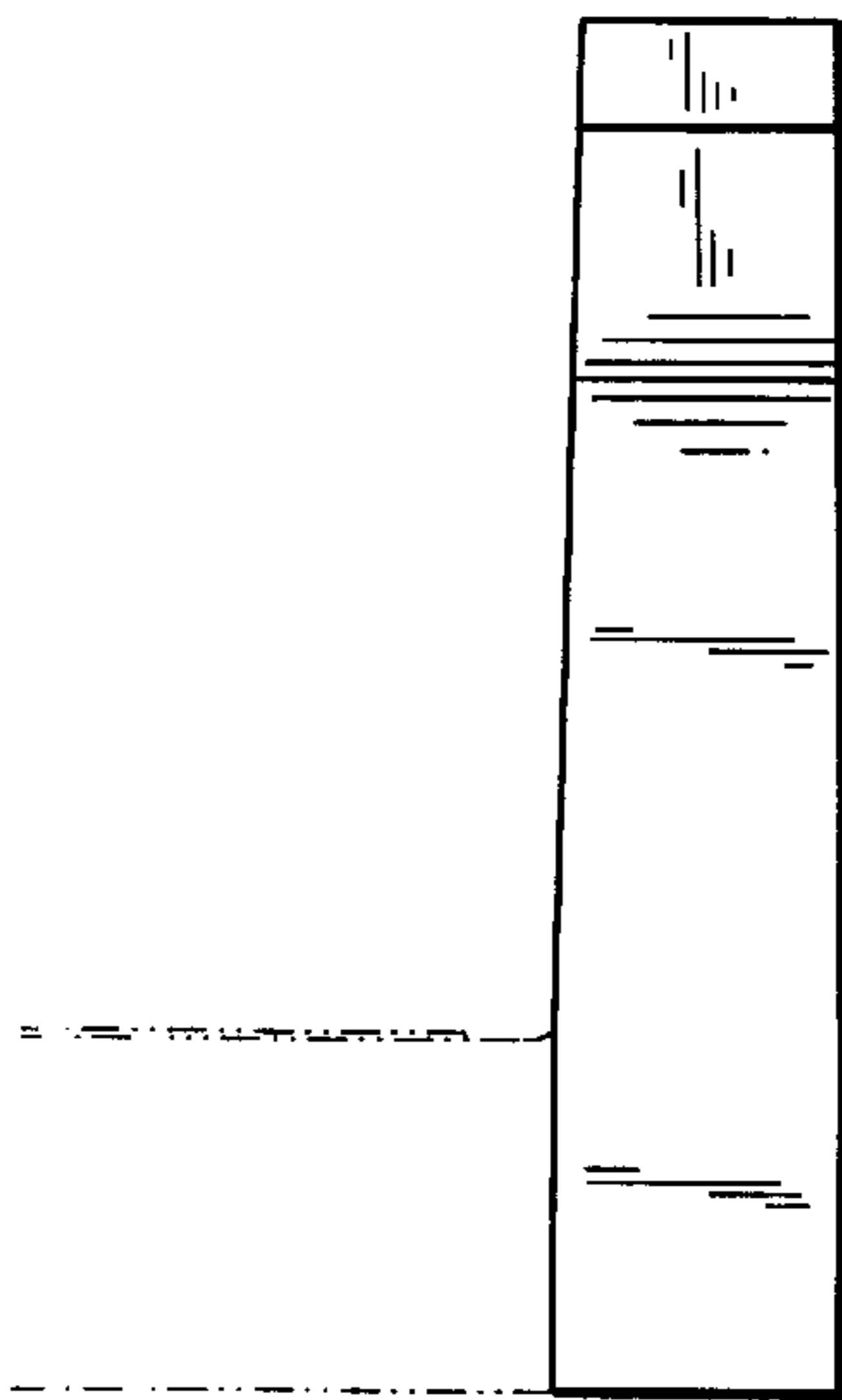
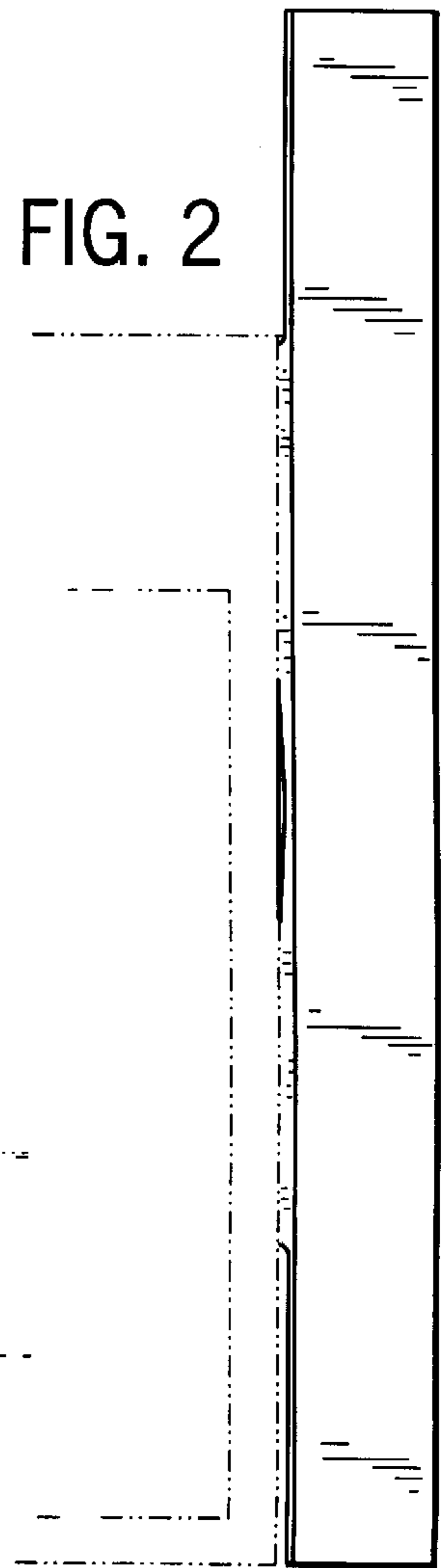


FIG. 3

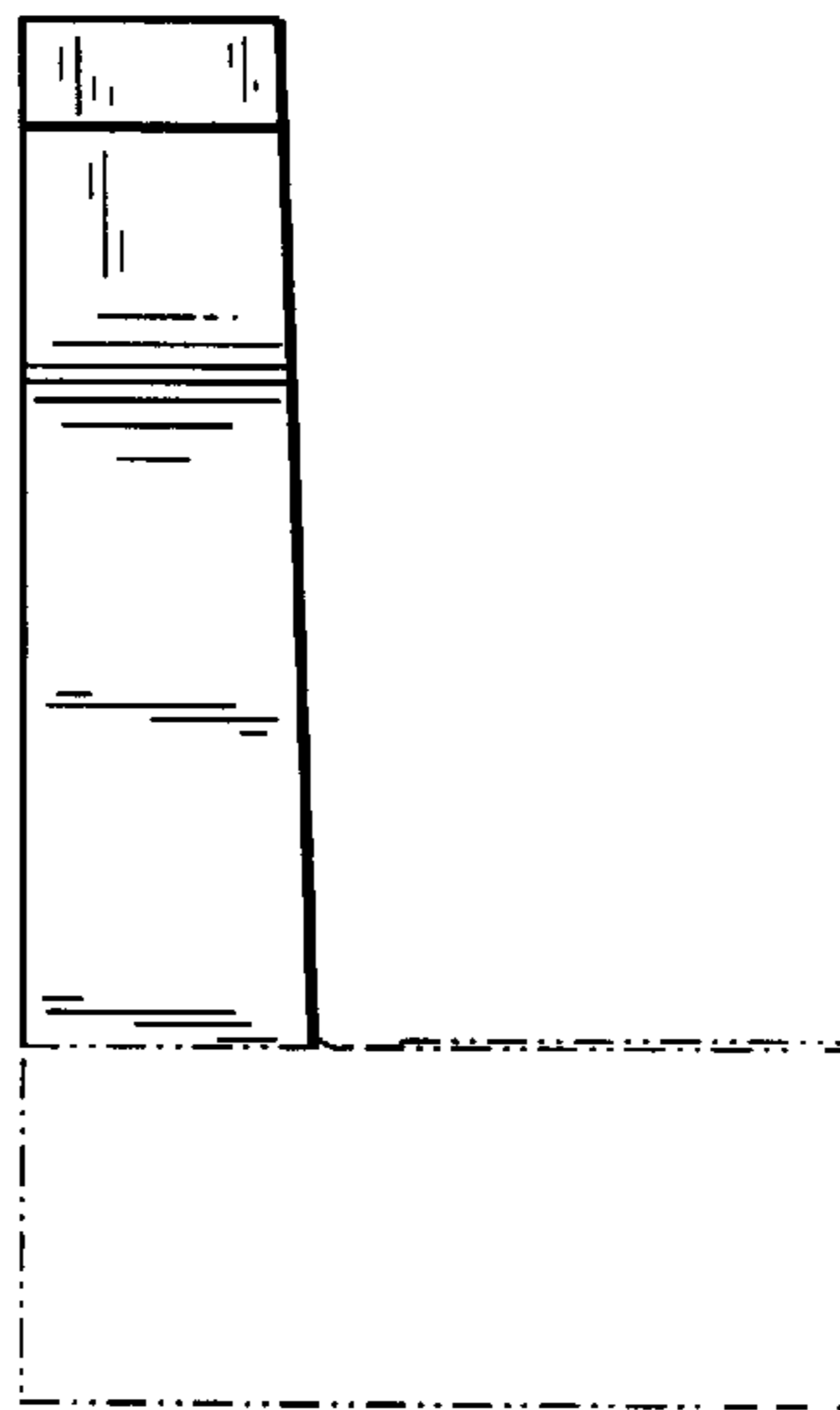


FIG. 6

FIG. 4

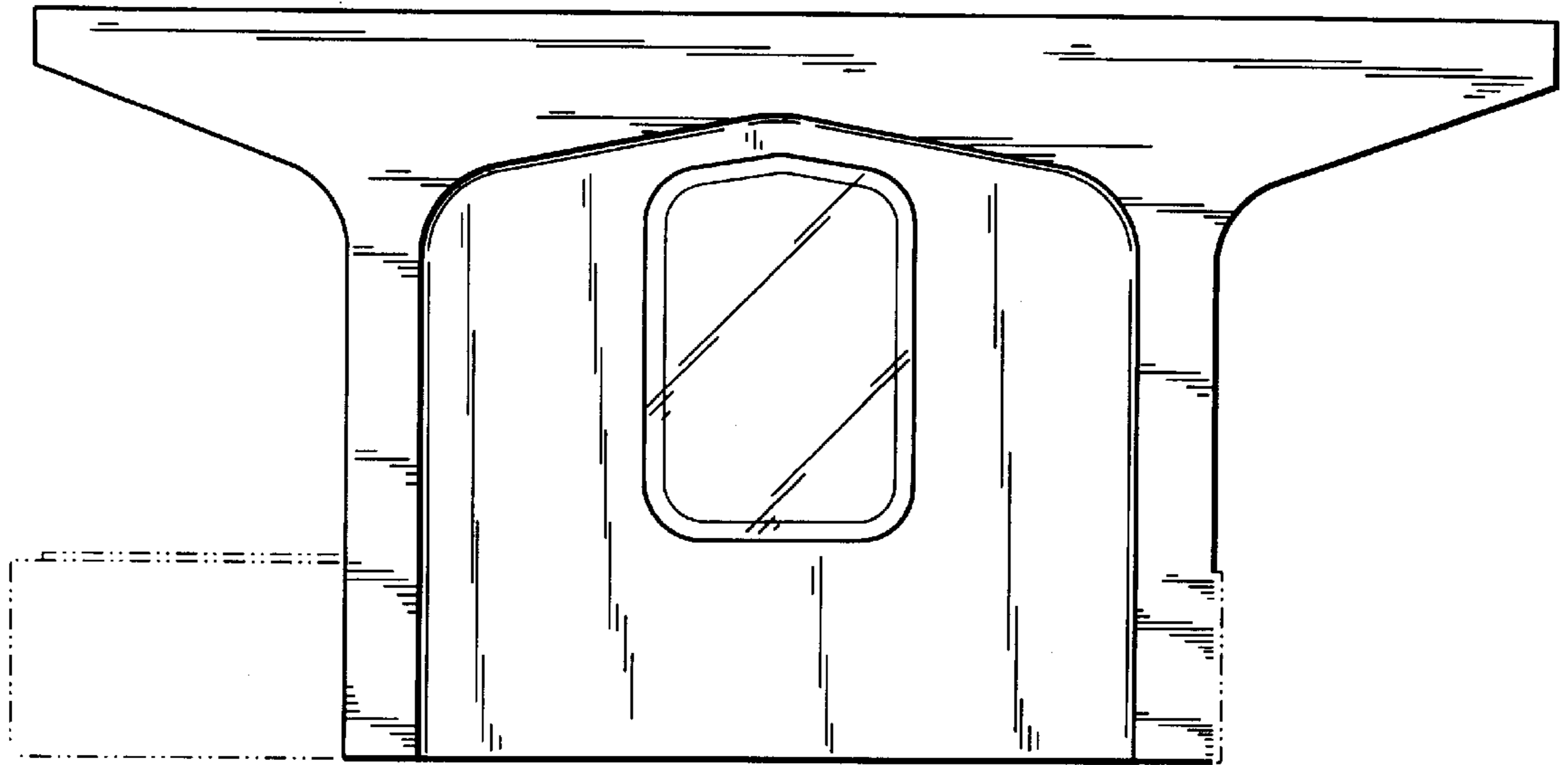
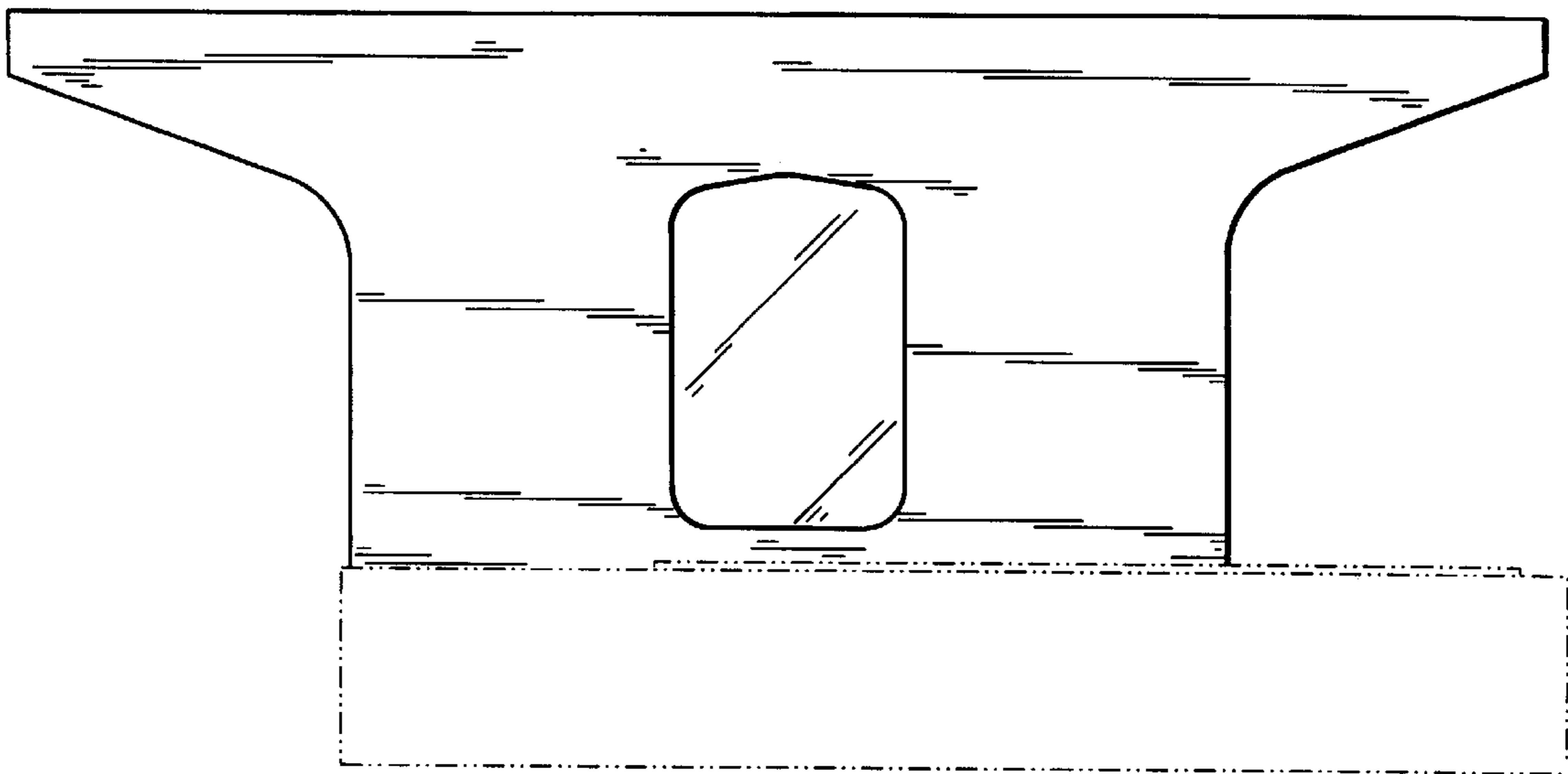


FIG. 5



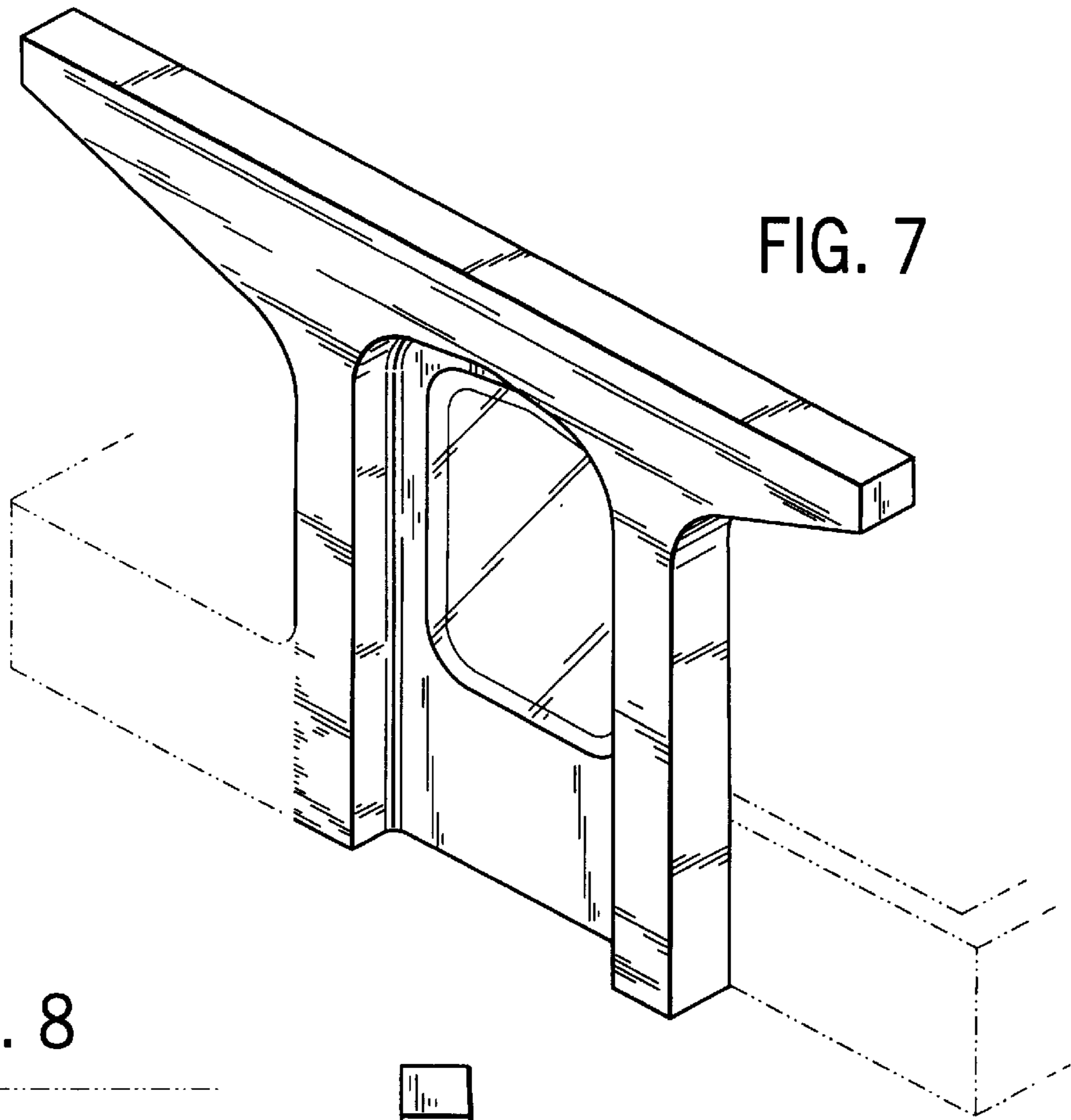


FIG. 7

FIG. 8

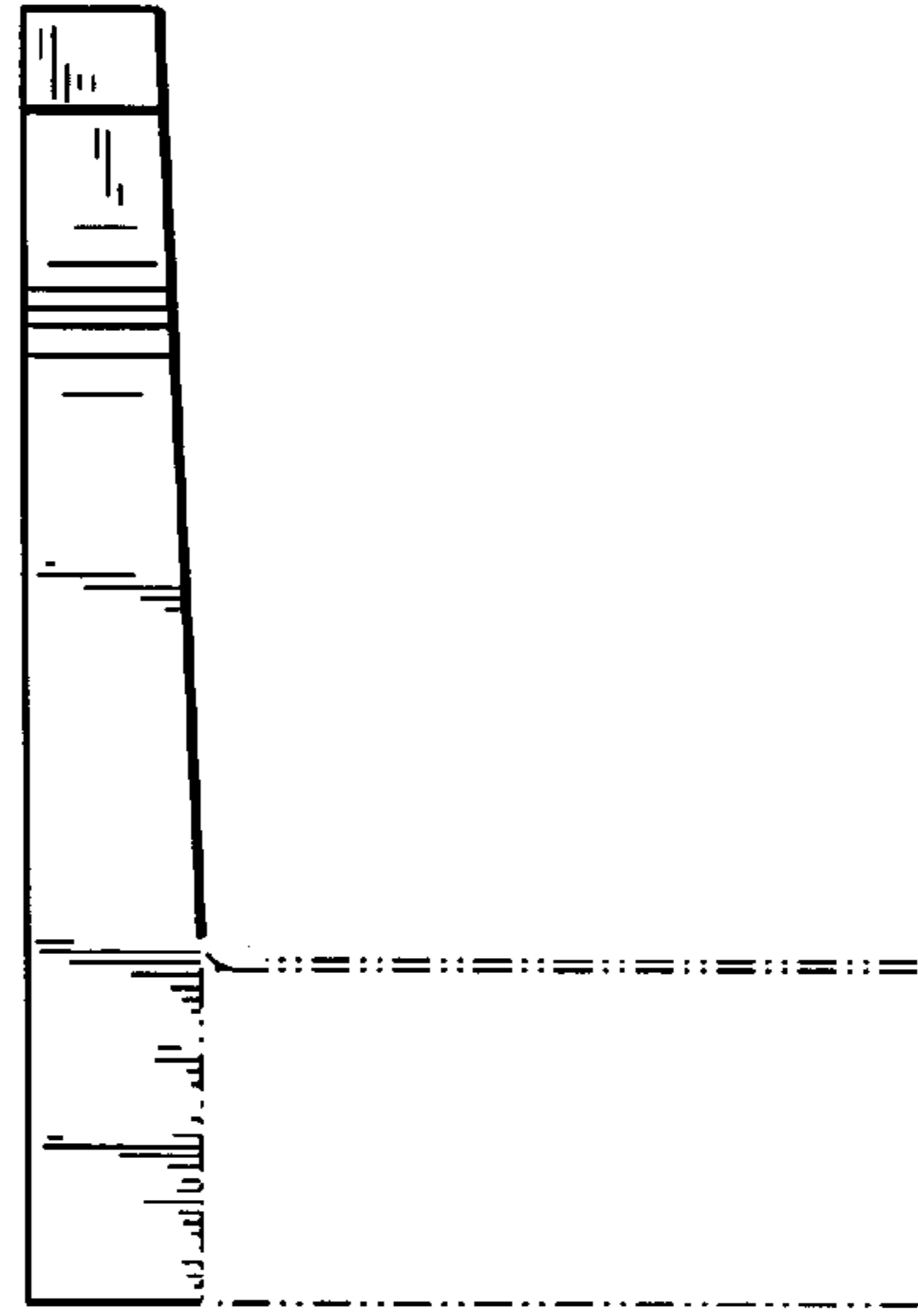
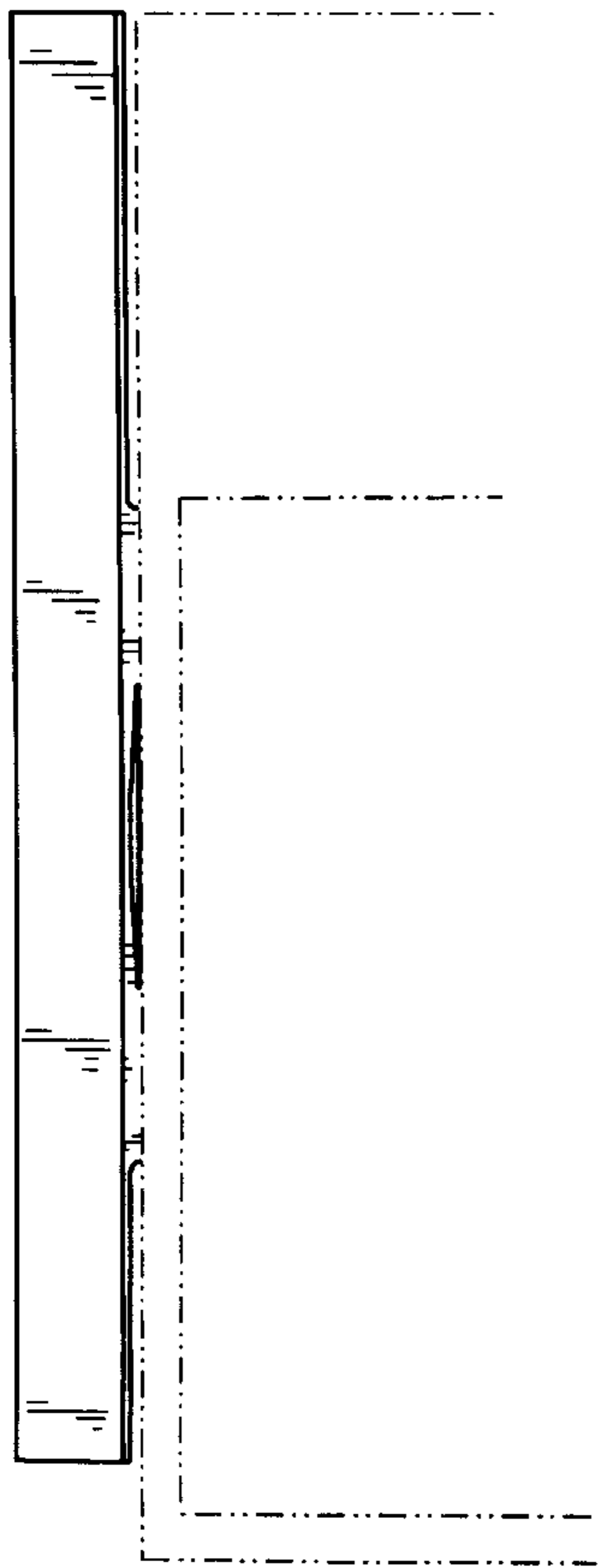


FIG. 9

FIG. 12

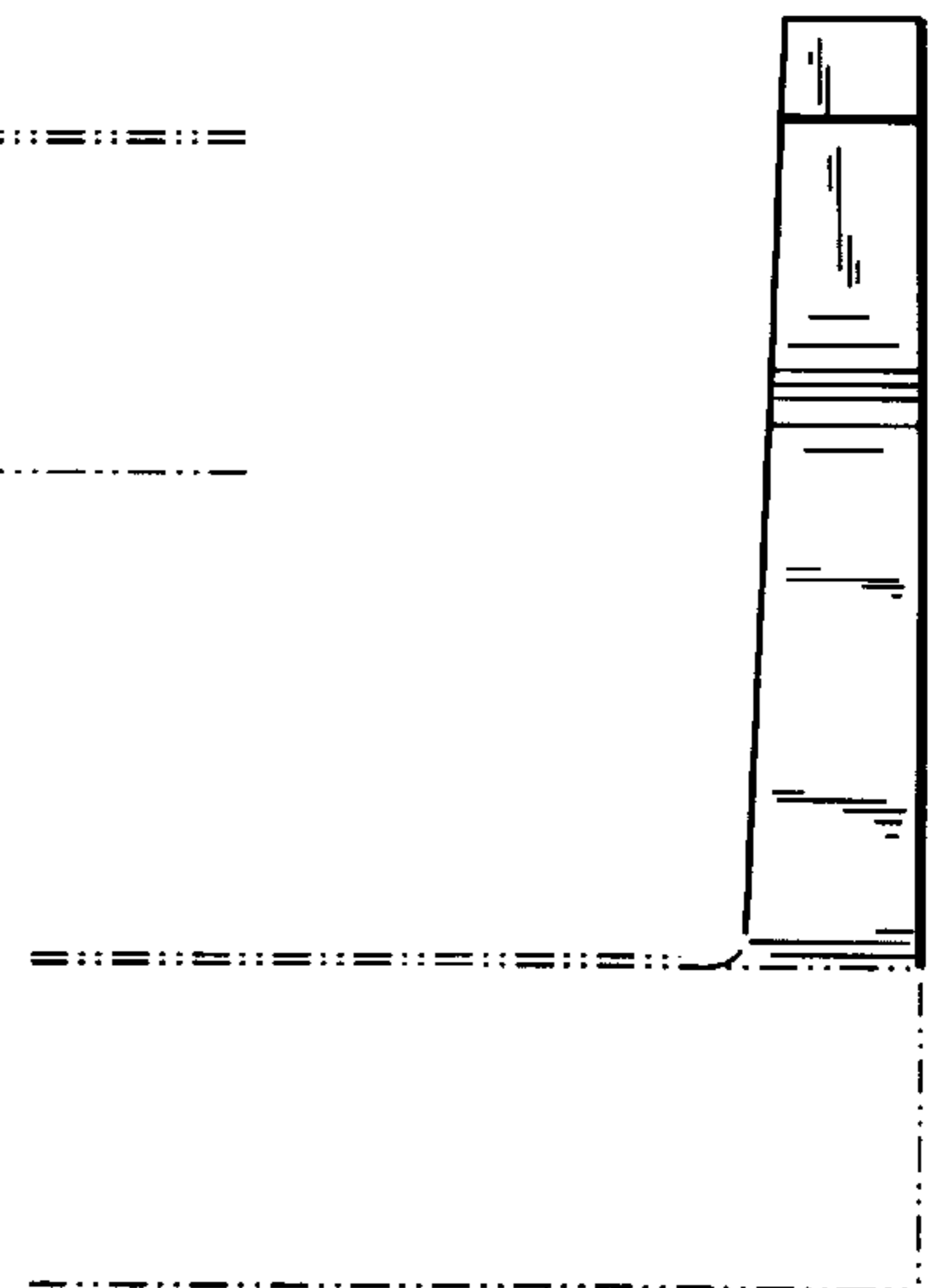


FIG. 10

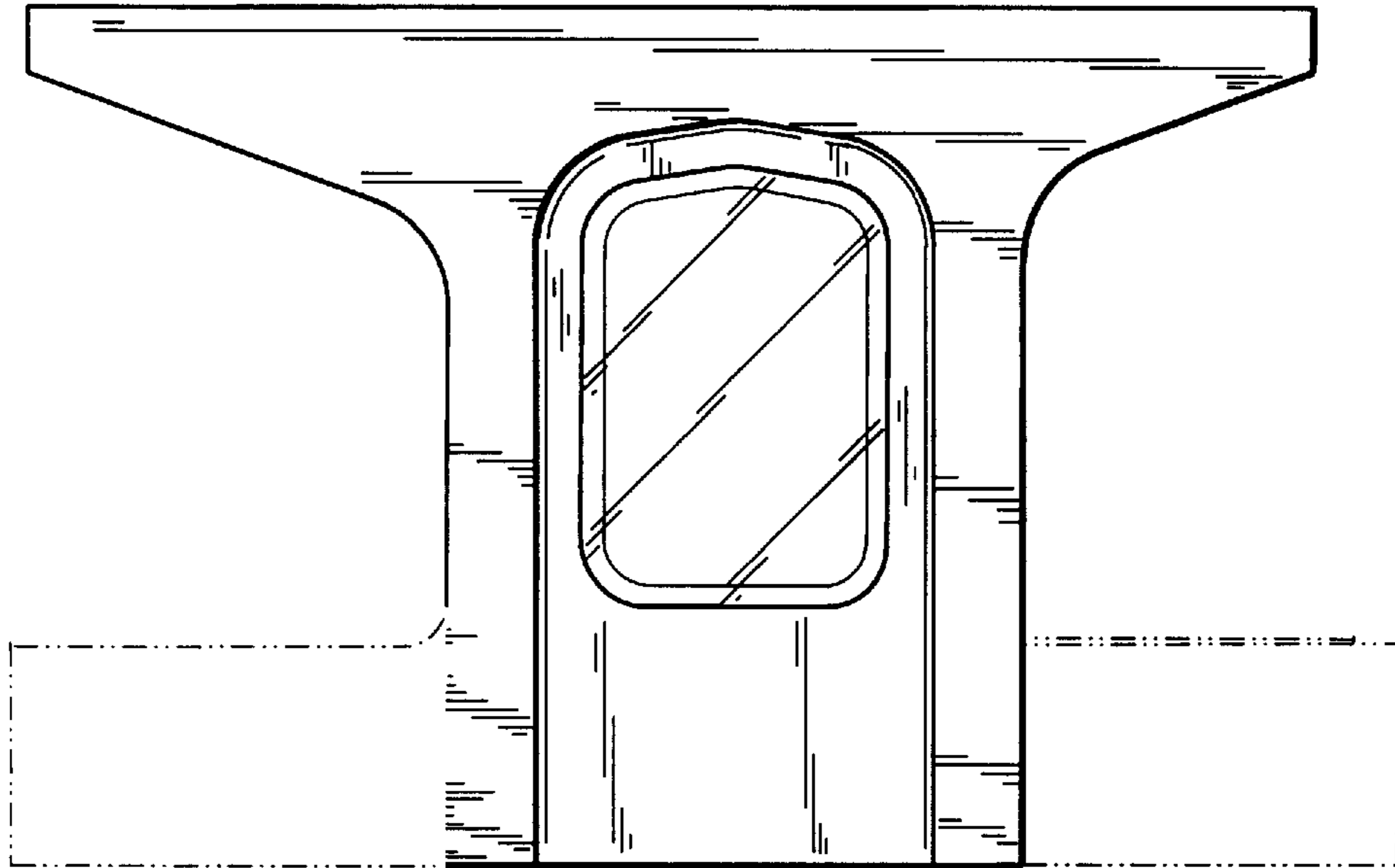
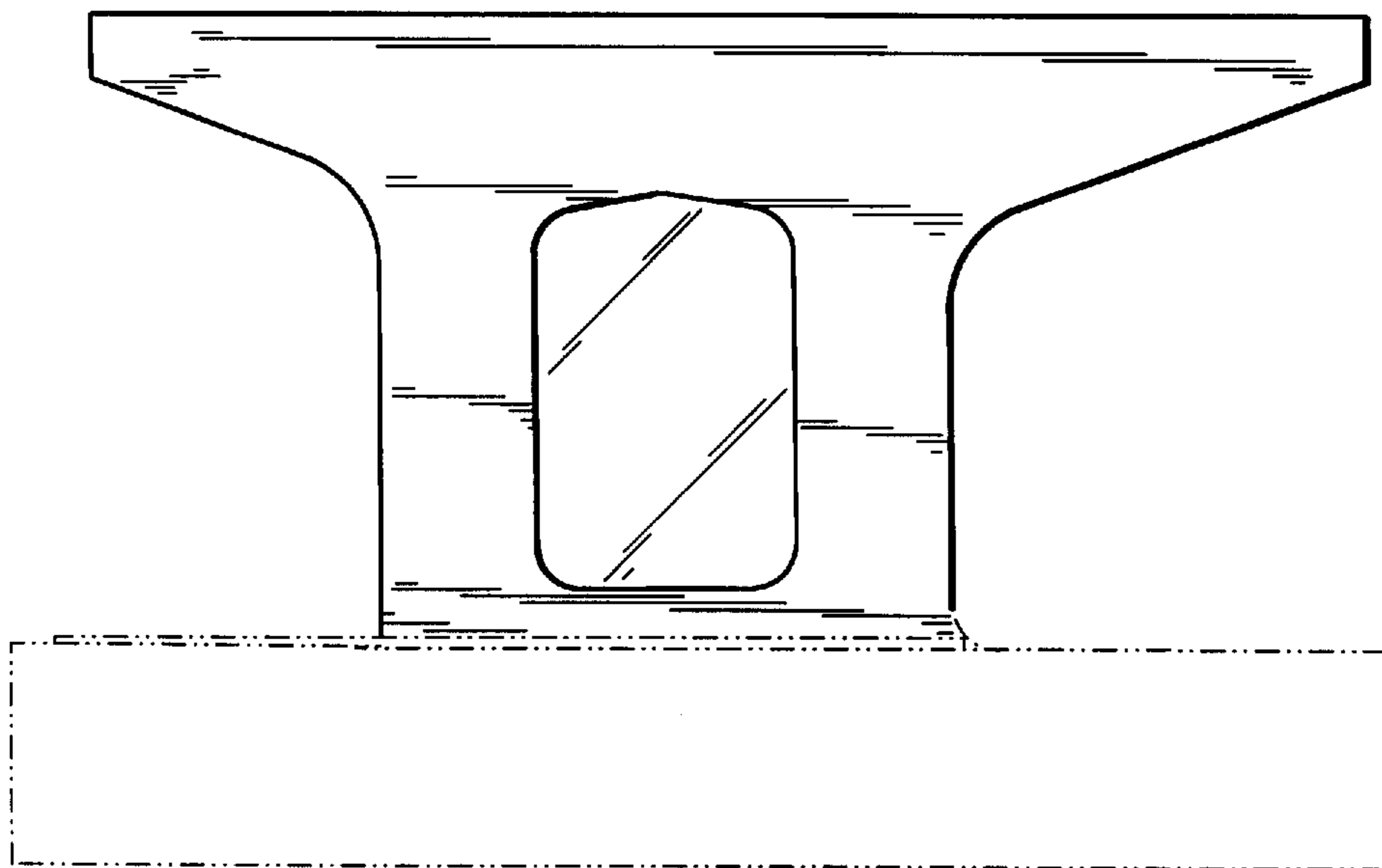


FIG. 11



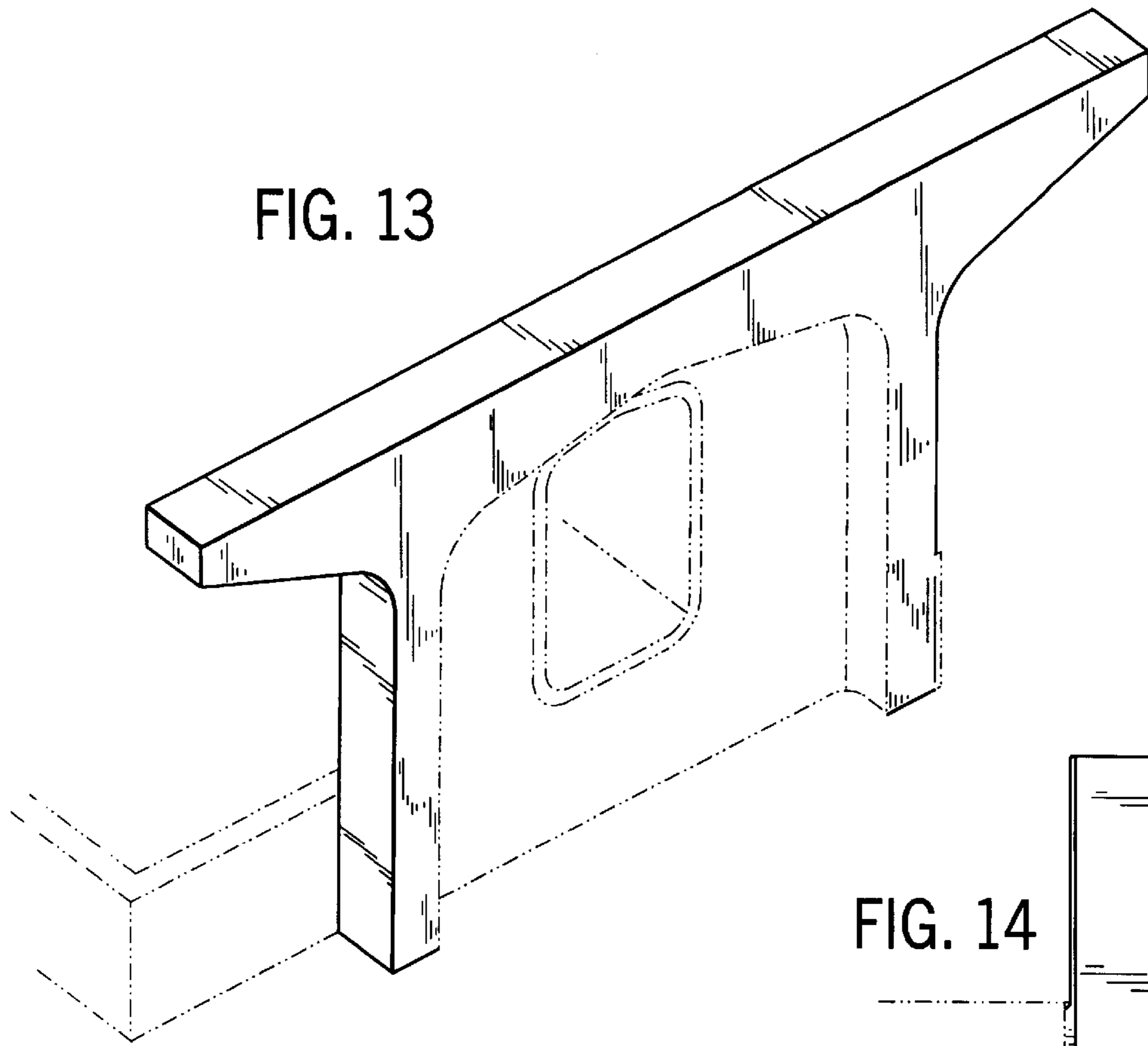


FIG. 13

FIG. 14

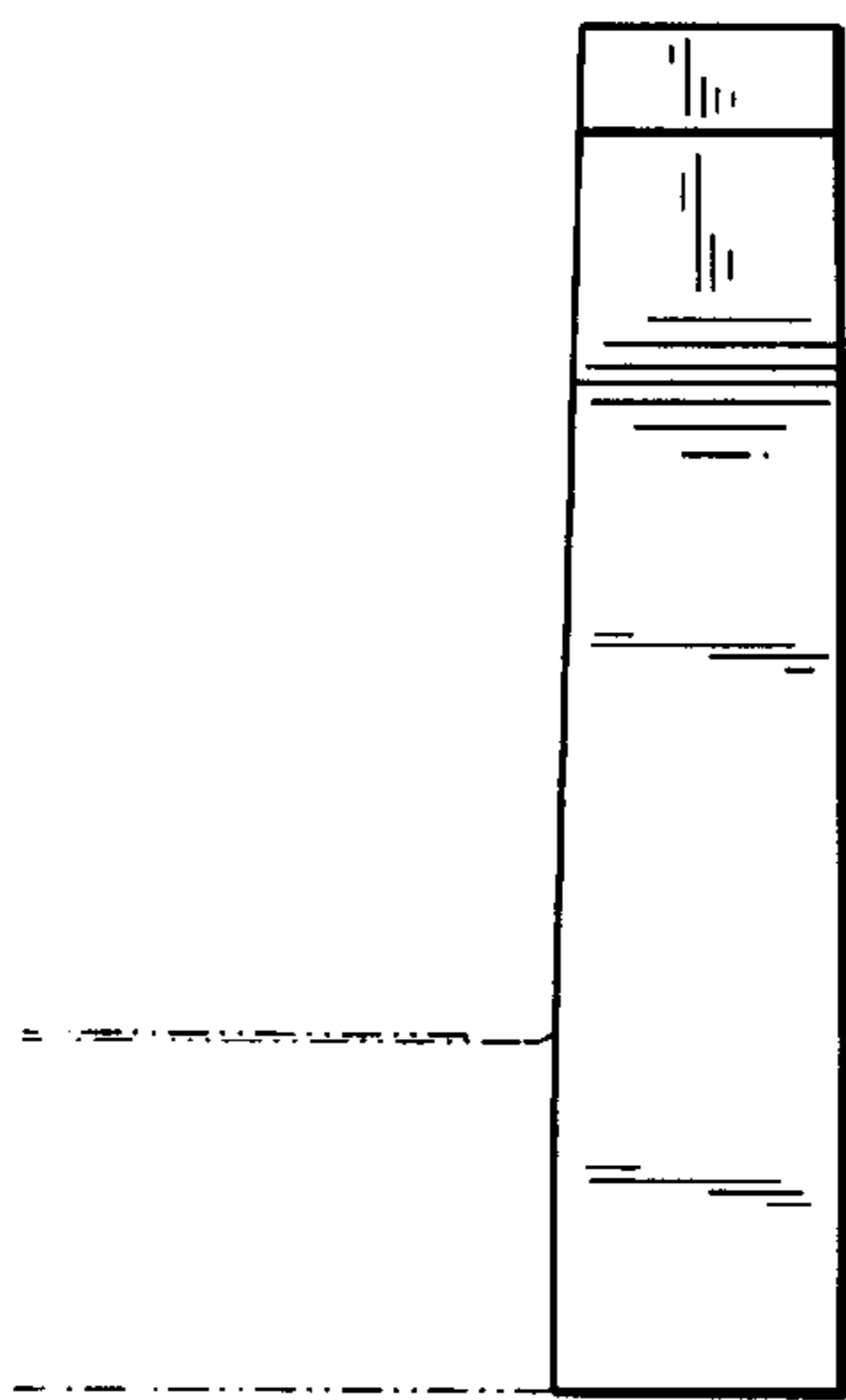


FIG. 15

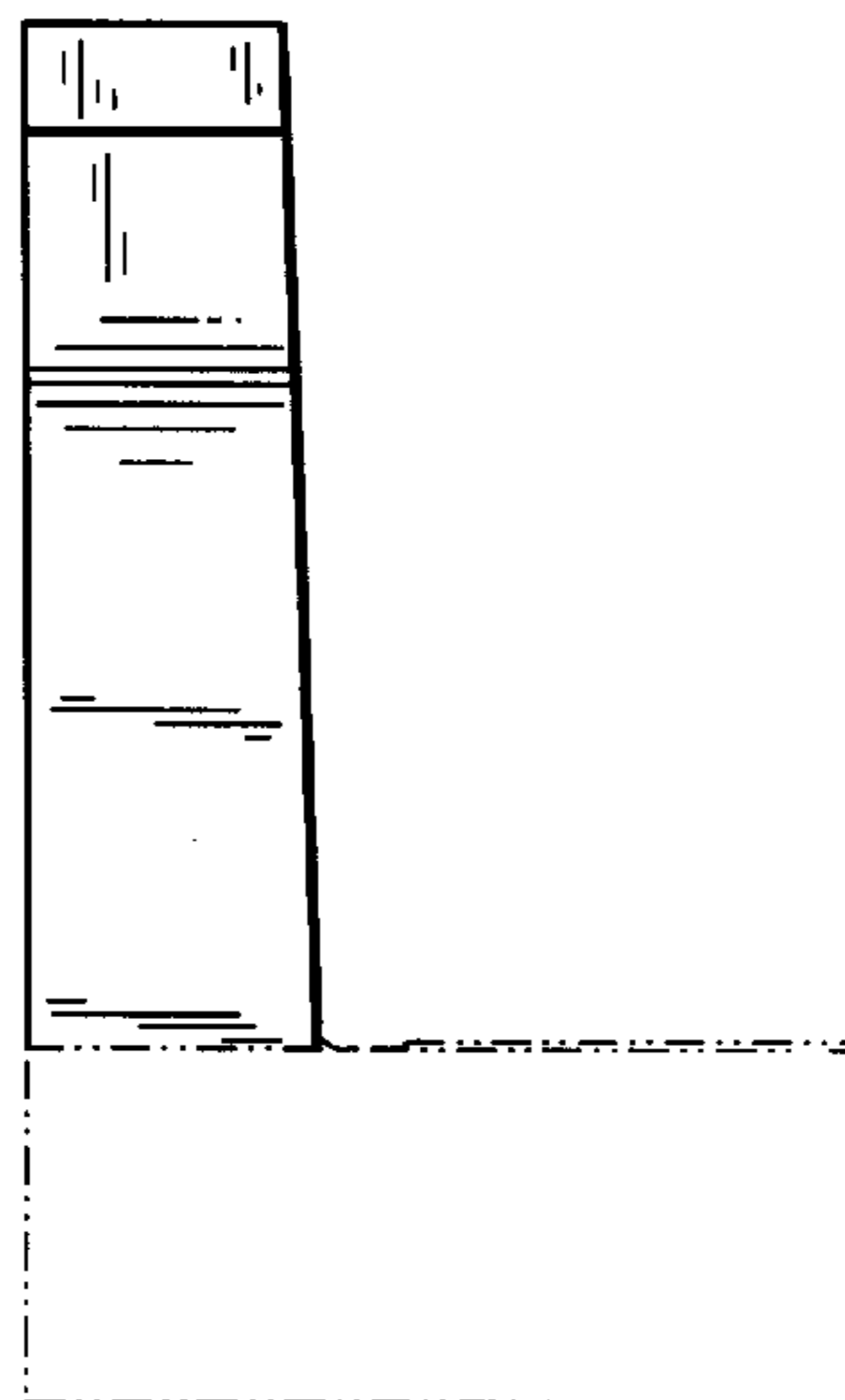


FIG. 18

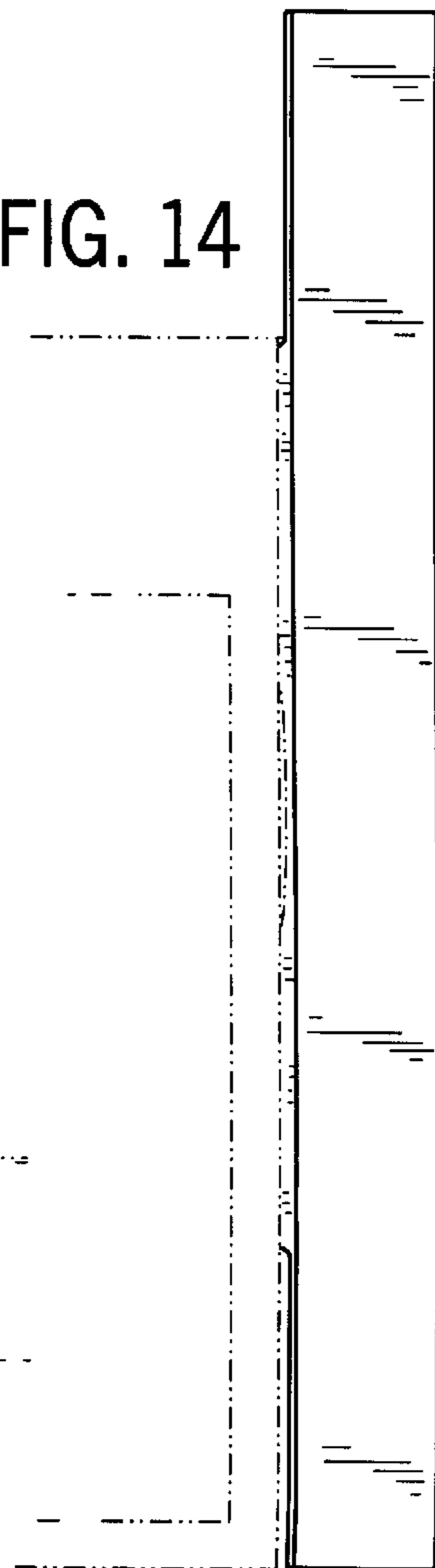


FIG. 16

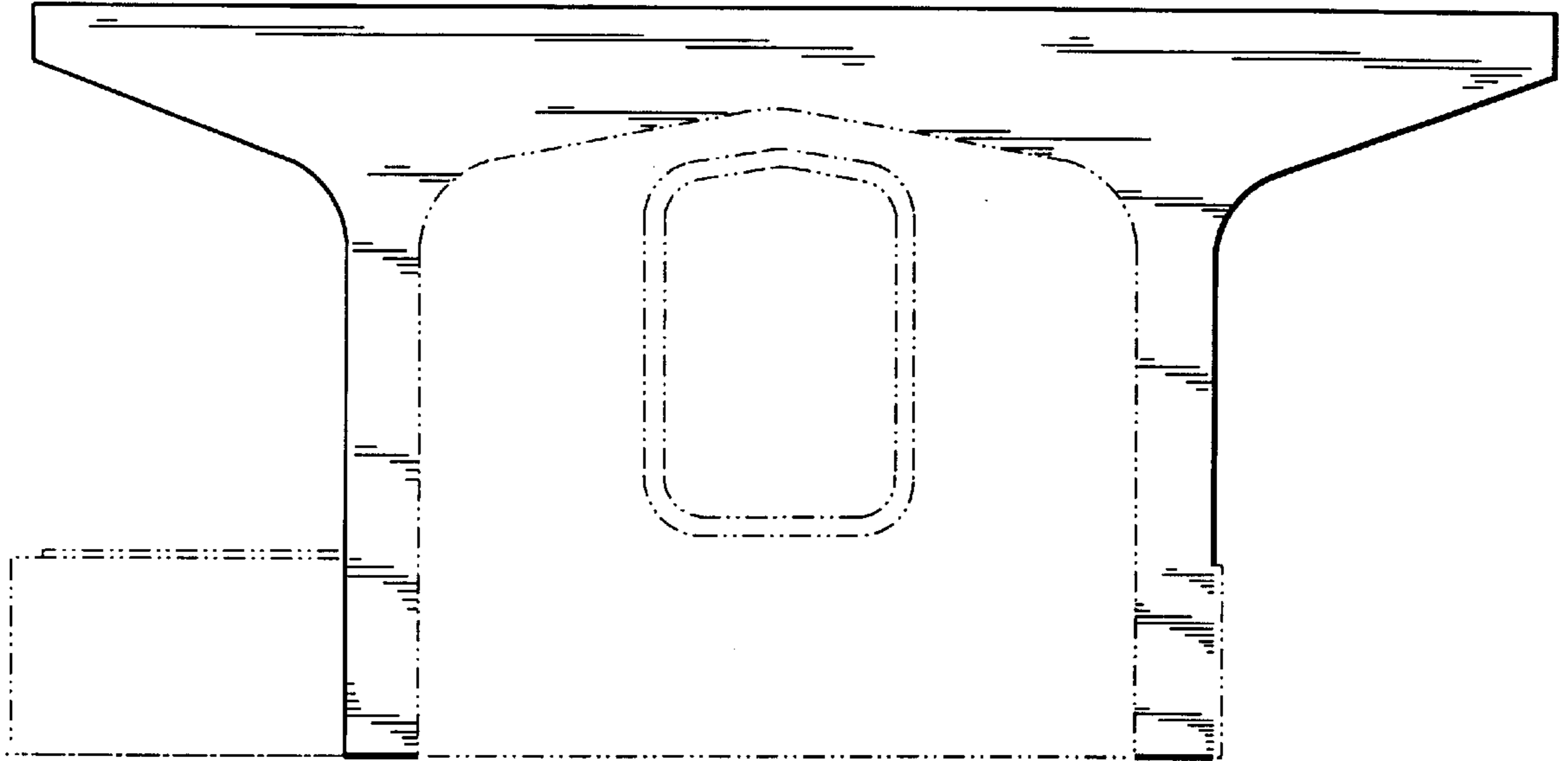
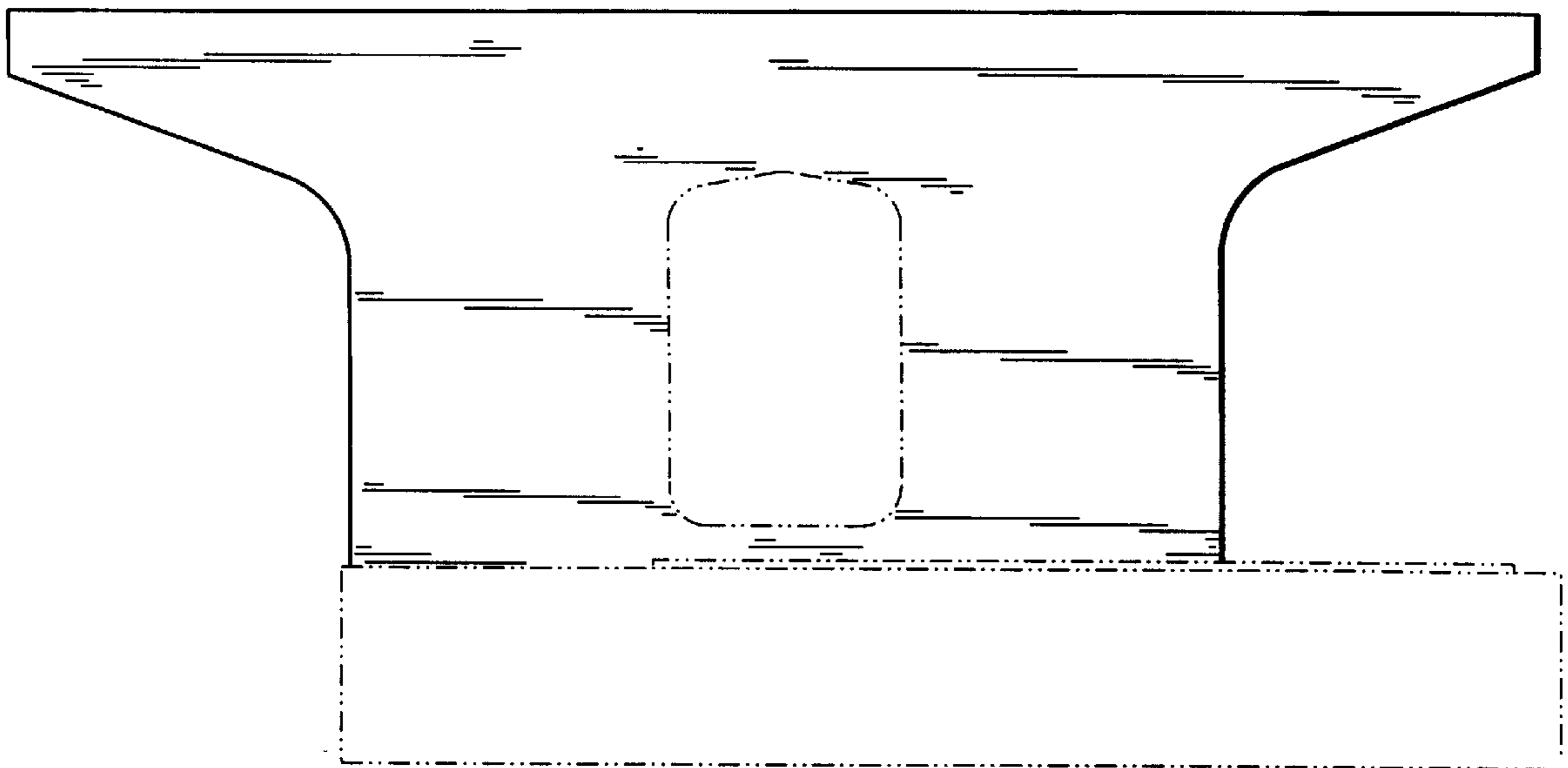


FIG. 17



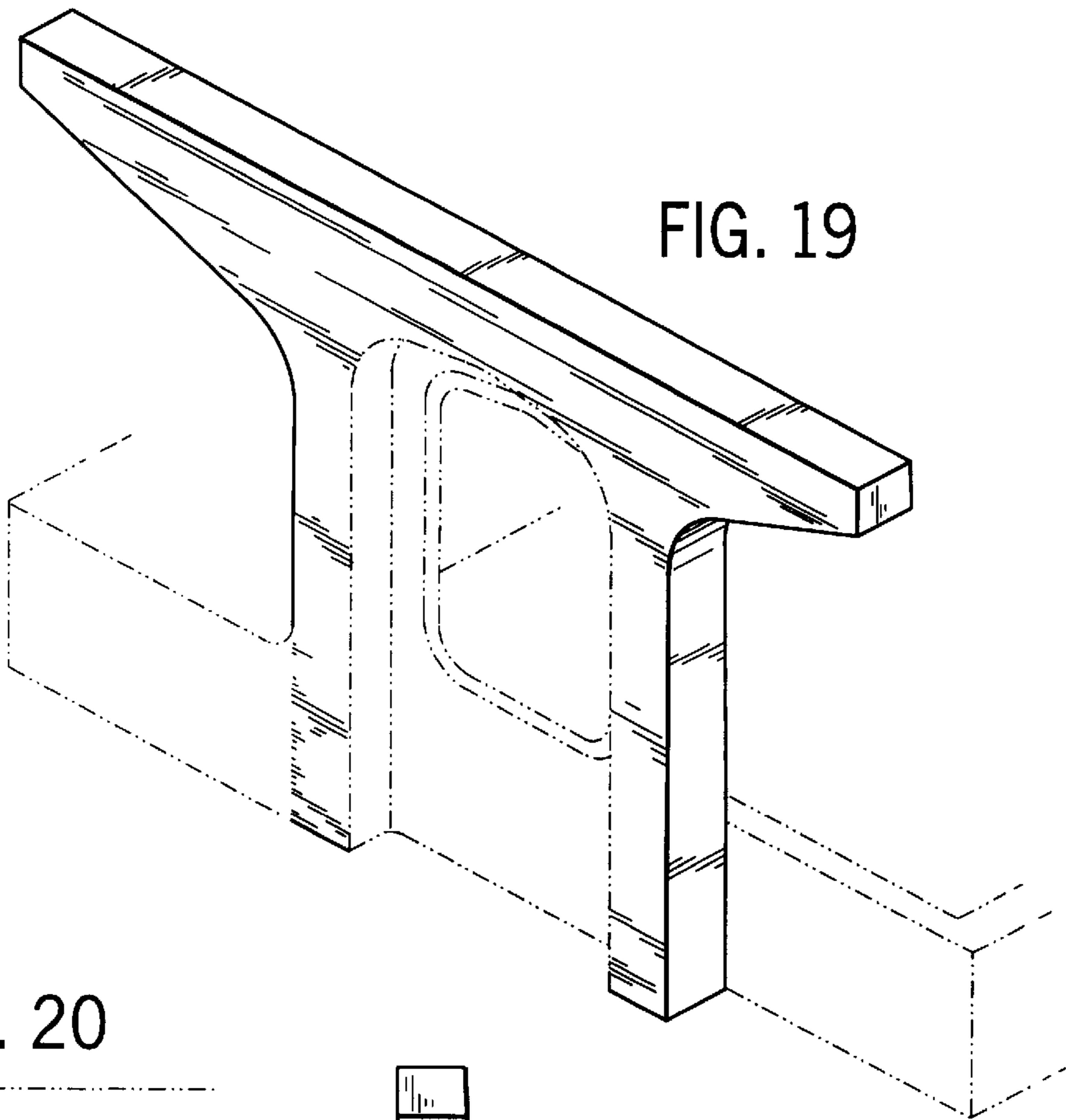


FIG. 20

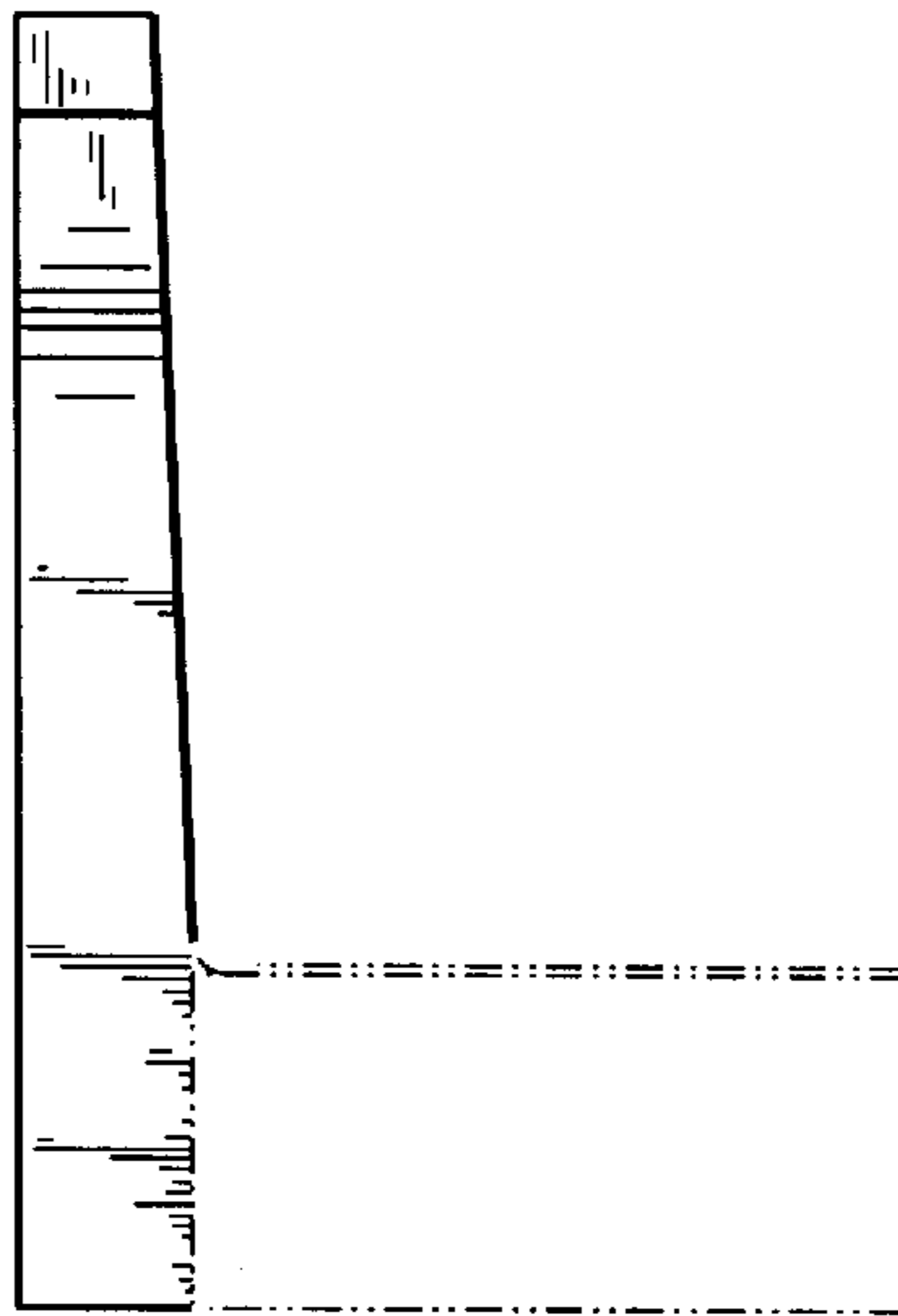
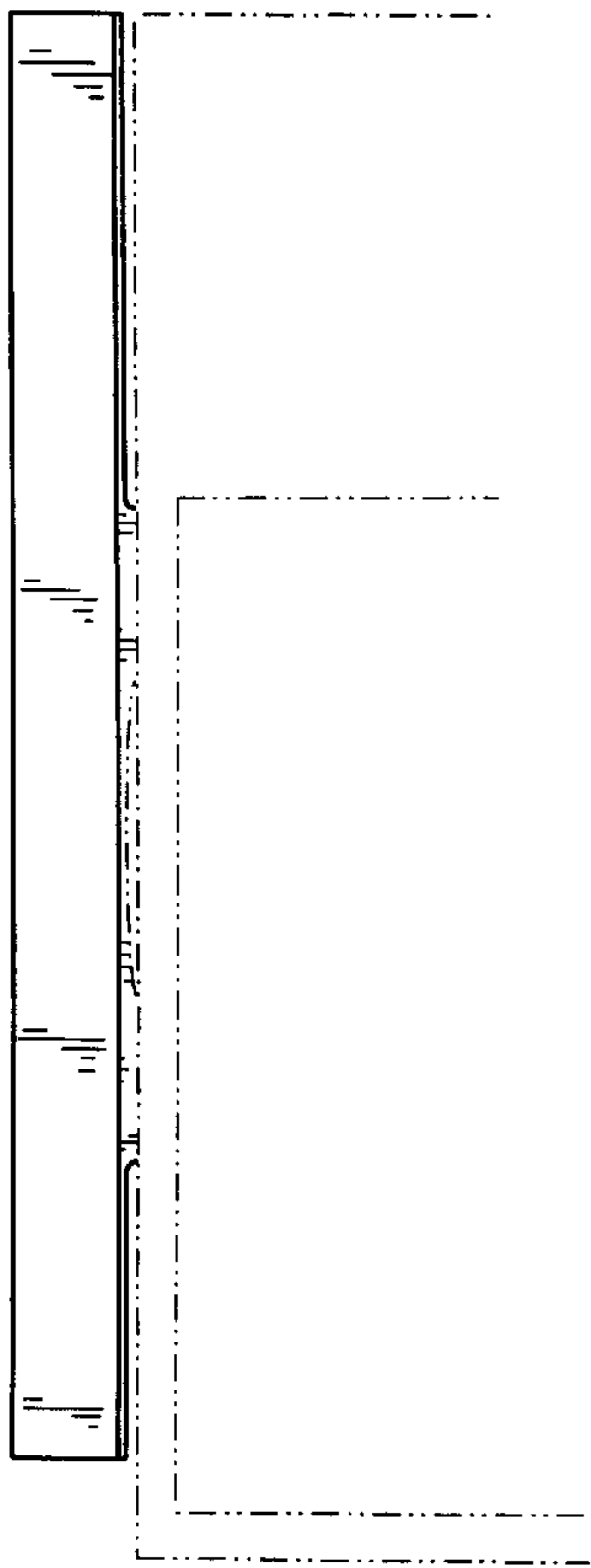


FIG. 21

FIG. 24

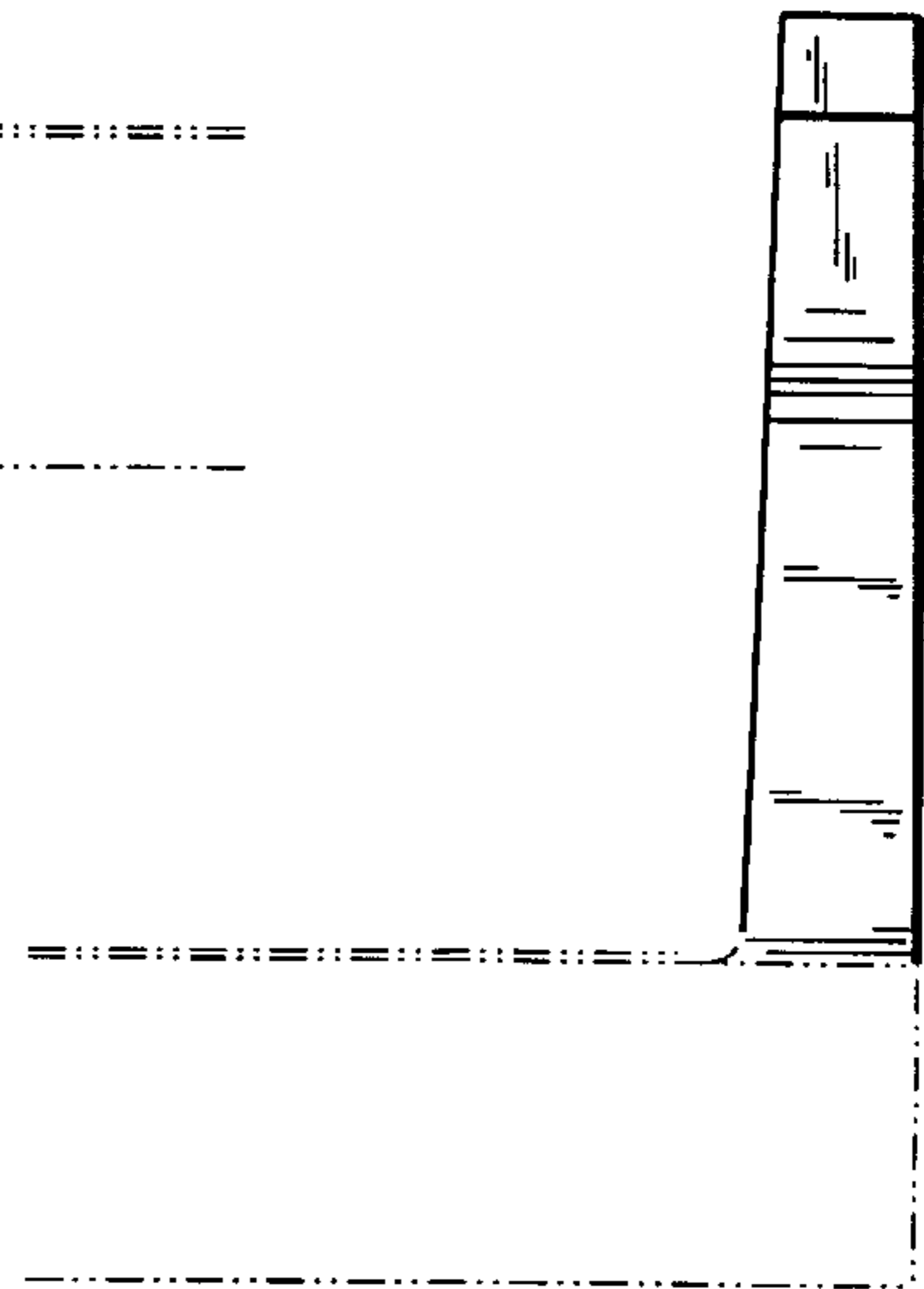


FIG. 22

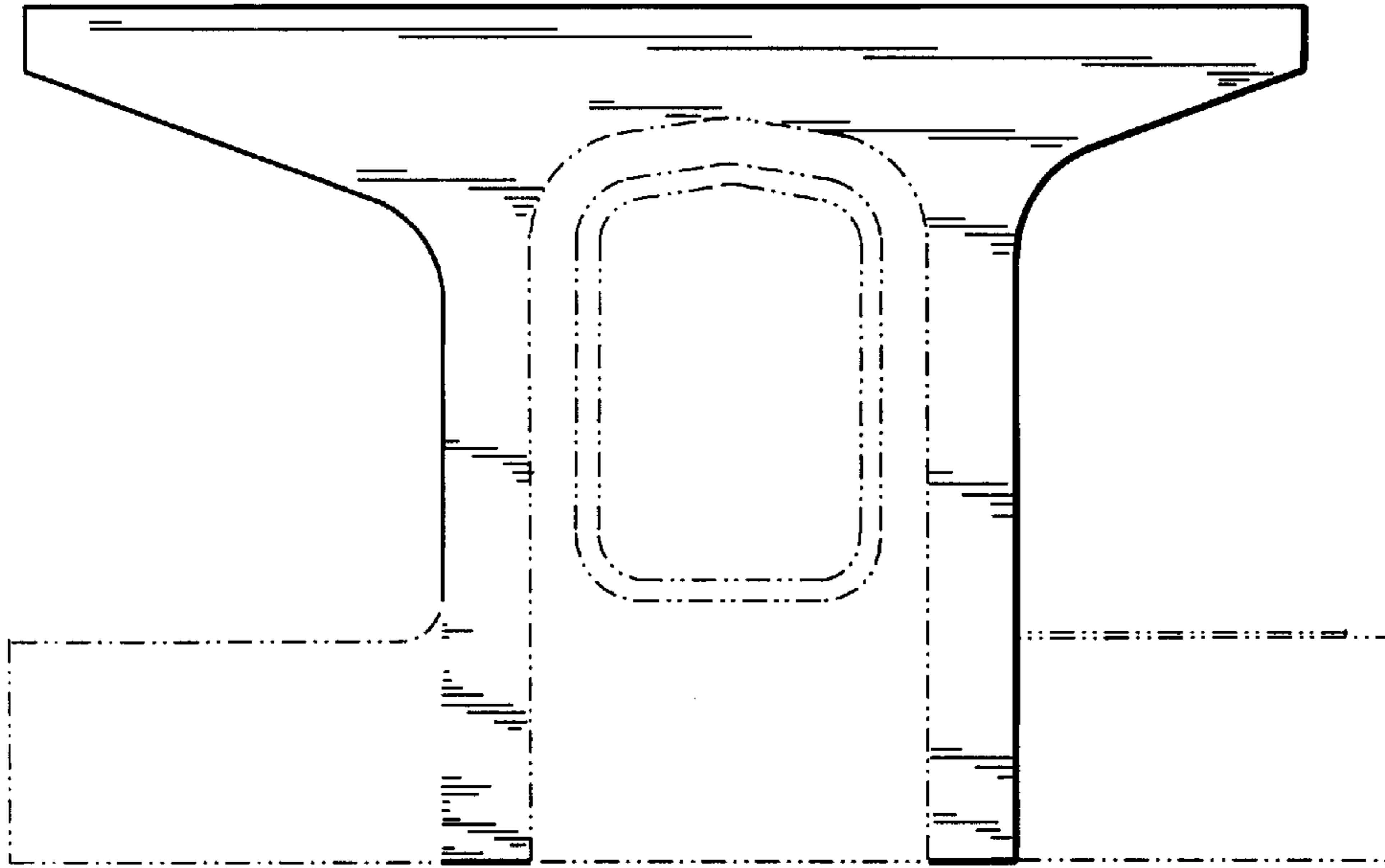


FIG. 23

