



US00D423960S

United States Patent [19] Tam

[11] **Patent Number: Des. 423,960**

[45] **Date of Patent: ** May 2, 2000**

[54] **TUMOR METER**

4,606,128 8/1986 Wyrwich et al. 33/802
4,726,121 2/1988 Ray et al. 33/806

[75] Inventor: **Sai Ying Tam**, Kowloon, The Hong Kong Special Administrative Region of the People's Republic of China

Primary Examiner—Stella Reid
Assistant Examiner—I Simmons
Attorney, Agent, or Firm—Smith, Gambrell & Russell, LLP; Beveridge, DeGrandi, Weilacher & Young Intellectual Property Group

[73] Assignee: **BHS International, Inc.**, Crofton, Md.

[**] Term: **14 Years**

[57] CLAIM

[21] Appl. No.: **29/096,324**

The ornamental design for a tumor meter, as shown and described.

[22] Filed: **Nov. 10, 1998**

DESCRIPTION

[51] **LOC (7) Cl.** **10-04**

[52] **U.S. Cl.** **D10/73; D24/140**

[58] **Field of Search** D24/140, 133;
D10/73, 74; 600/587; 33/512, 514, 513,
806

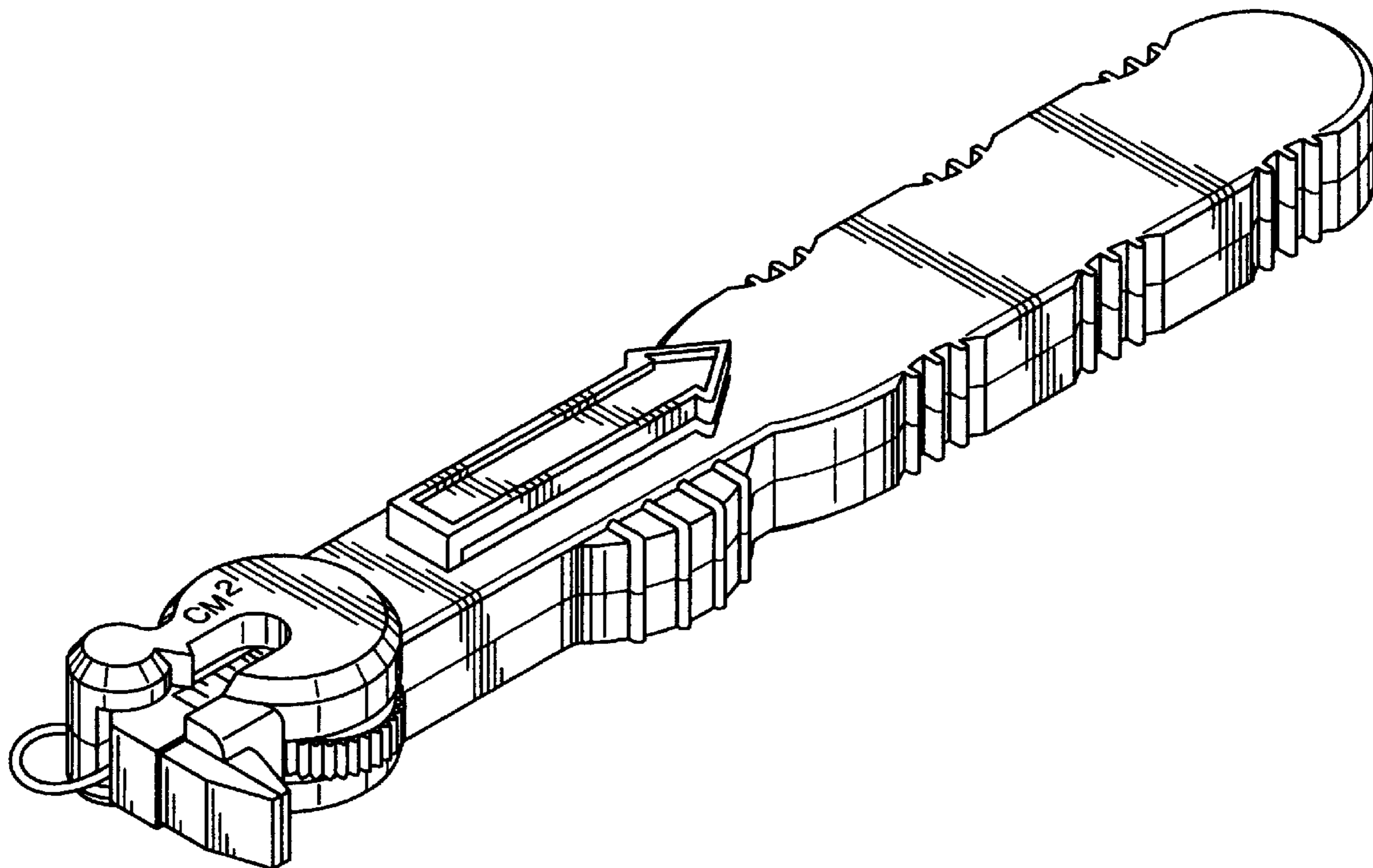
FIG. 1 is a perspective view of a tumor meter showing my new design;
FIG. 2 is an in use perspective view thereof;
FIG. 3 is a front view thereof;
FIG. 4 is a rear view thereof;
FIG. 5 is a top view thereof;
FIG. 6 is a bottom view thereof;
FIG. 7 is a right side view thereof; and,
FIG. 8 is a left side view thereof.

[56] References Cited

U.S. PATENT DOCUMENTS

D. 261,302 10/1981 Wheeler D24/140
D. 310,044 8/1990 Alberts et al. D10/73
4,599,800 7/1986 Wyrwich et al. 33/802

1 Claim, 3 Drawing Sheets



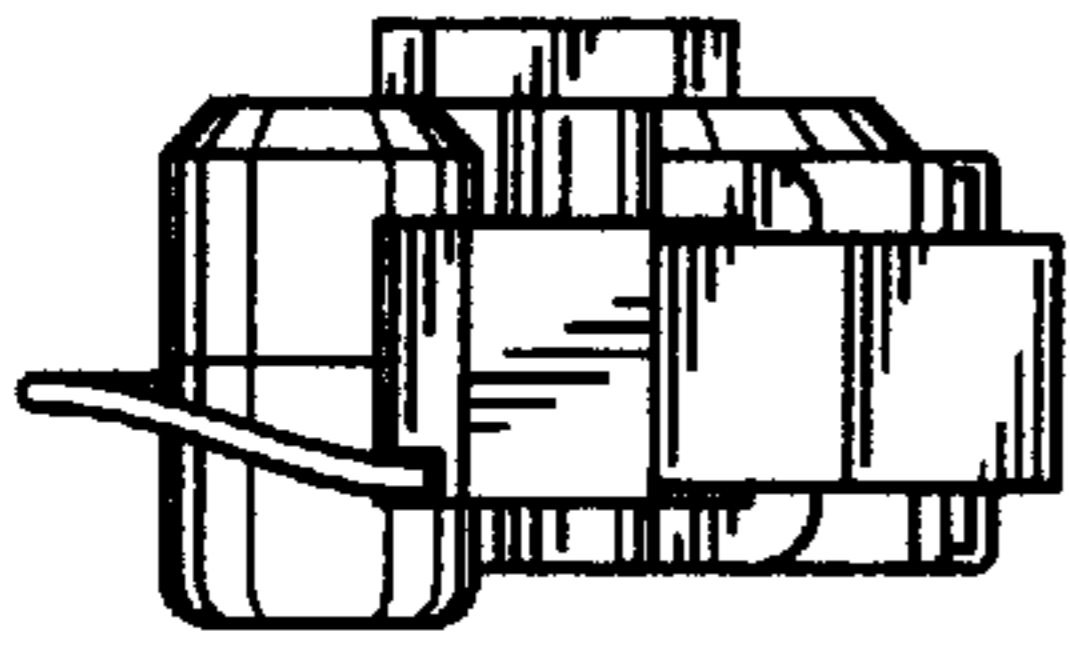


FIG. 7

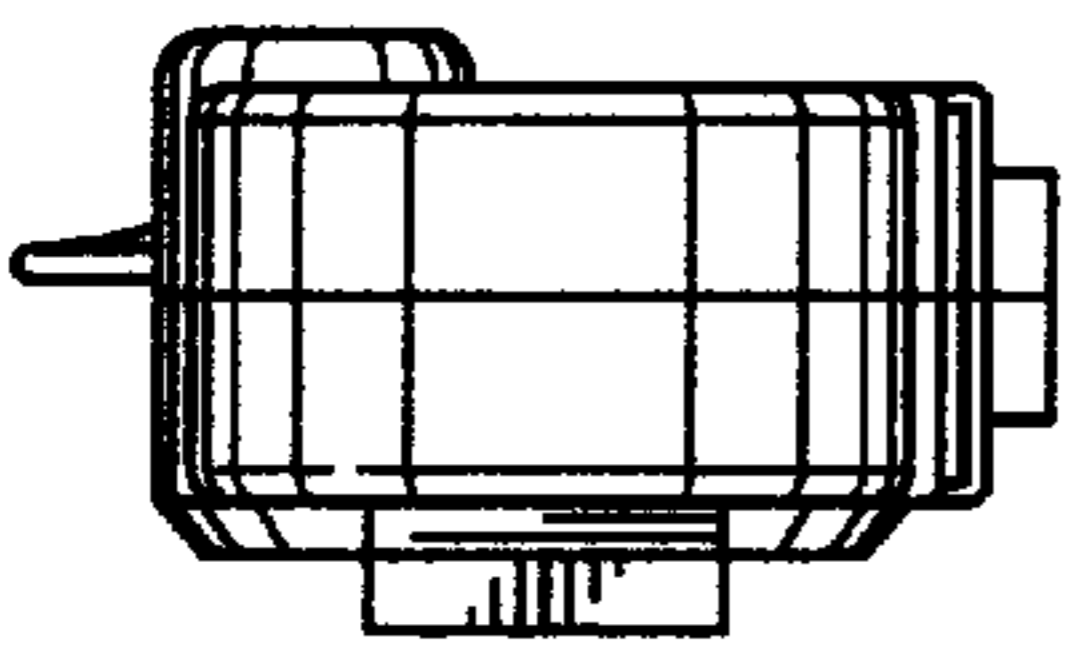


FIG. 8

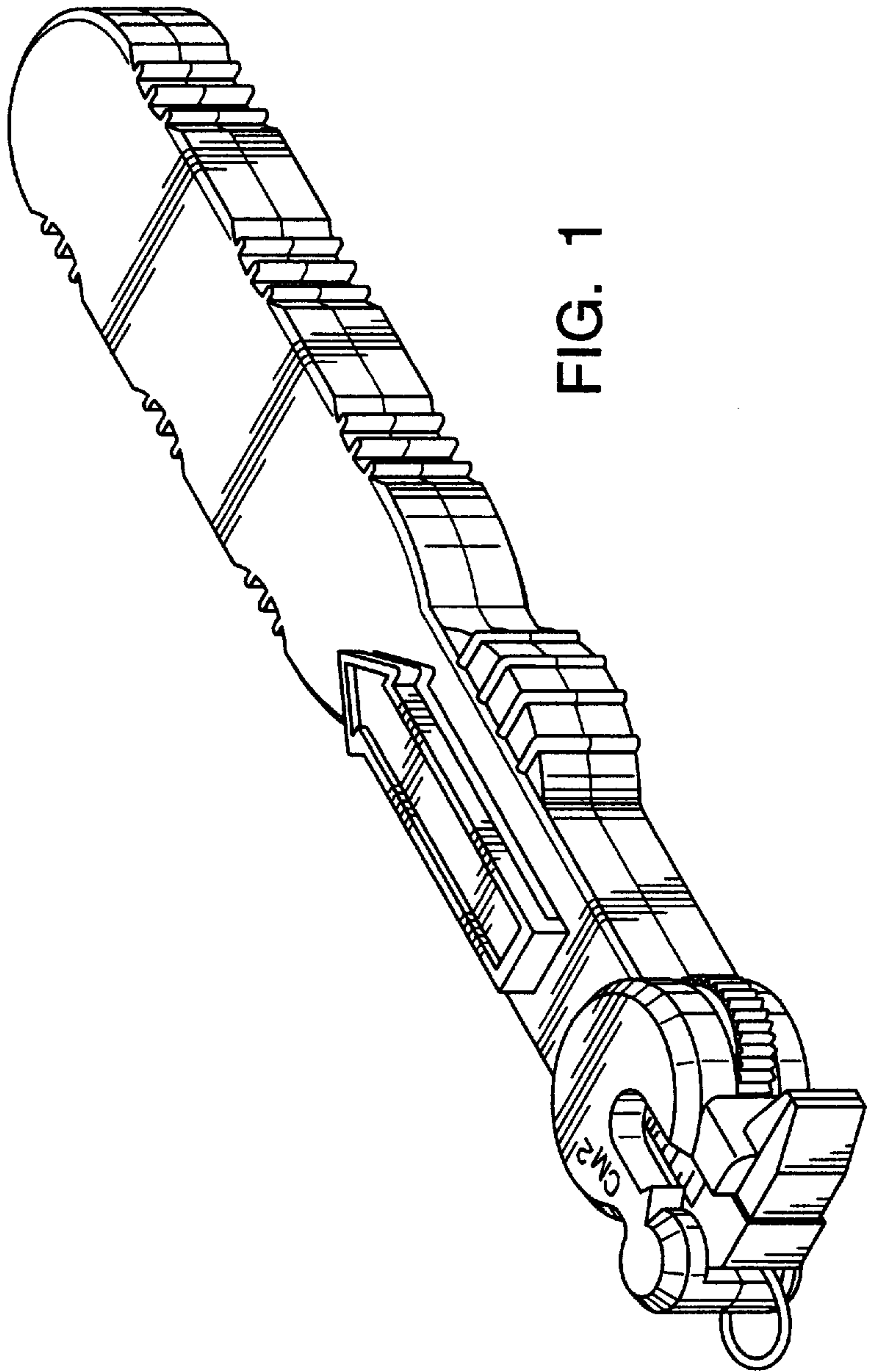


FIG. 1

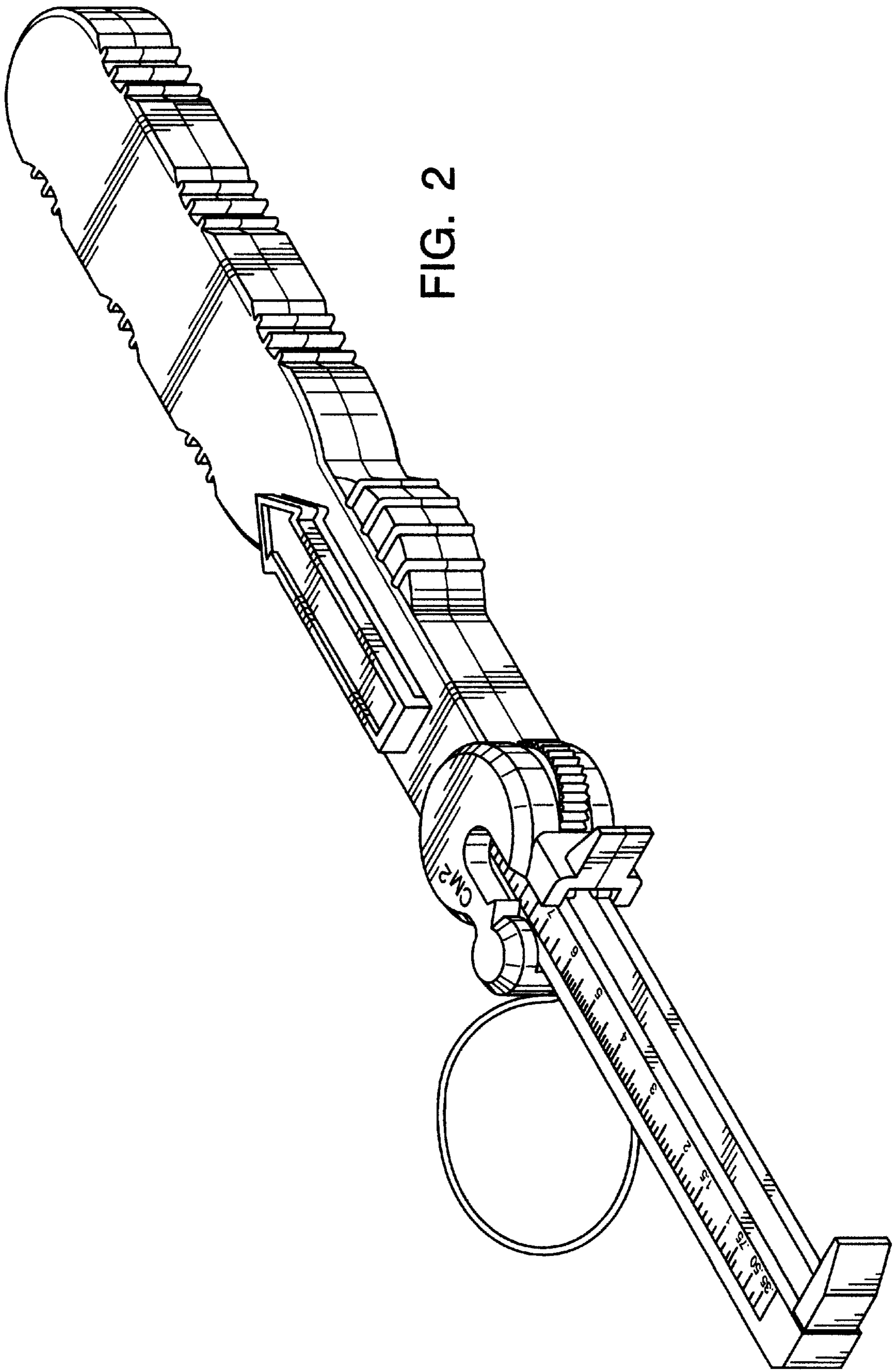


FIG. 2

FIG. 5

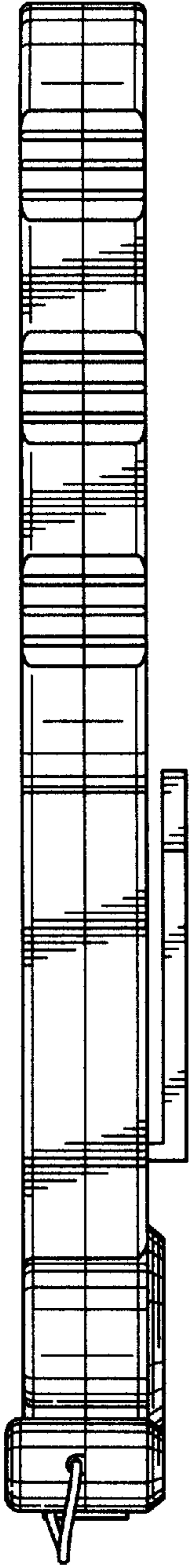


FIG. 3

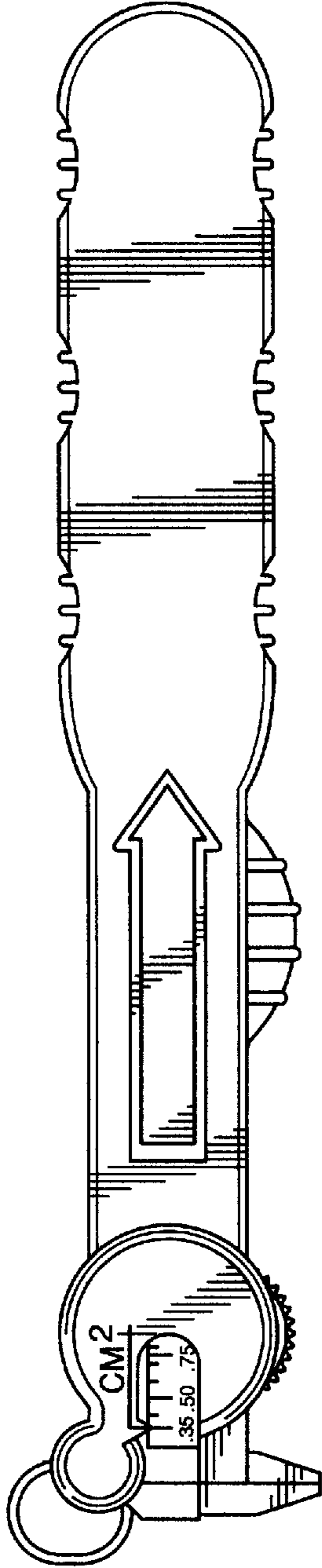


FIG. 6

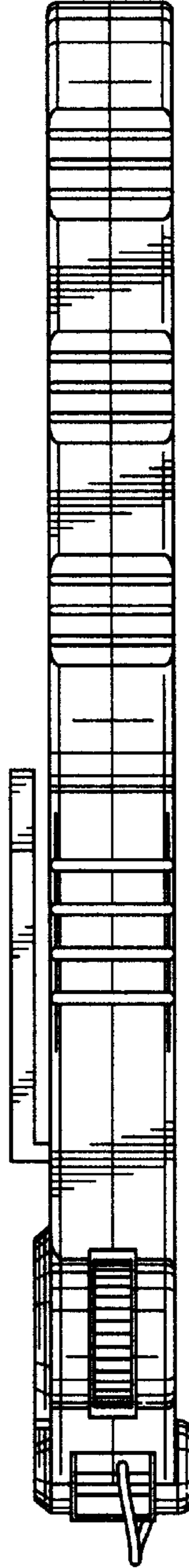


FIG. 4

