



US00D423959S

United States Patent [19] Taylor

[11] Patent Number: Des. 423,959

[45] Date of Patent: ** May 2, 2000

[54] SOLAR POWERED DIGITAL READ-OUT TAPE MEASURER

DESCRIPTION

[76] Inventor: Cletus C Taylor, HCR #64 Box #88, Bristow, Ind. 47515

[**] Term: 14 Years

[21] Appl. No.: 29/111,691

[22] Filed: Oct. 1, 1999

[51] LOC (7) Cl. 10-04

[52] U.S. Cl. D10/72

[58] Field of Search D10/72; 33/755-771

[56] References Cited

U.S. PATENT DOCUMENTS

D. 414,437 9/1999 Goessling, Jr. D10/72
5,433,014 7/1995 Falk et al. D10/72 X

Primary Examiner—Antoine Duval Davis

[57] CLAIM

The ornamental design for a solar powered digital read-out tape measurer, as shown and described.

FIG. 1 is a front elevational view of the solar powered digital read-out tape measurer of the present invention;

FIG. 2 is a rear elevational view of the solar powered digital read-out tape measurer in FIG. 1;

FIG. 3 is a left side elevational view of the solar powered digital read-out tape measurer of FIG. 1;

FIG. 4 is a right side elevational view of the solar powered digital read-out tape measurer of FIG. 1;

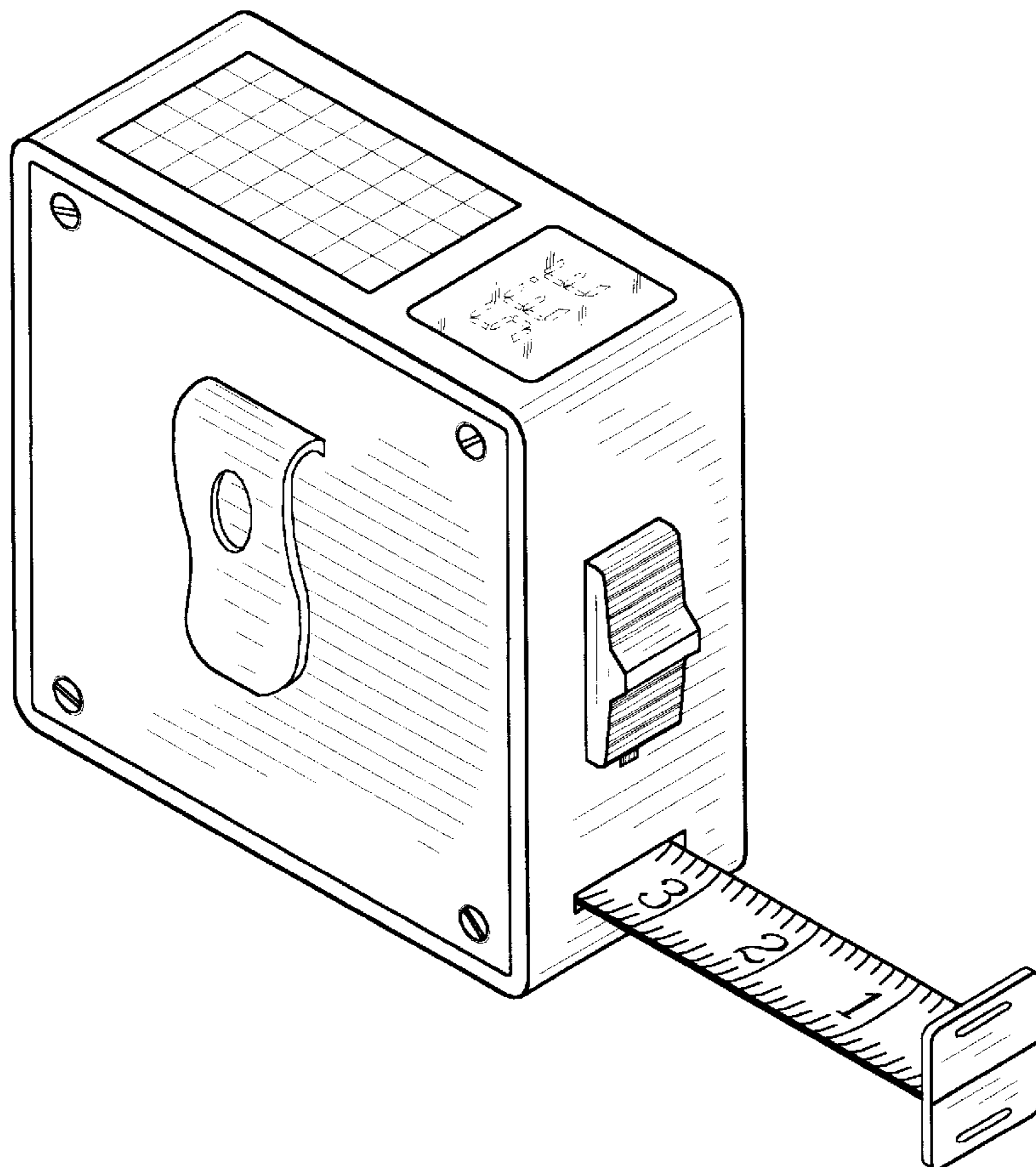
FIG. 5 is a top plan view of the solar powered digital read-out tape measurer of FIG. 1;

FIG. 6 is a bottom plan view of the solar powered digital read-out tape measurer of FIG. 1; and,

FIG. 7 is a top, front, right side perspective view of the solar powered digital read-out tape measurer of FIG. 1.

The broken line showing of numbers on FIG. 7 are for illustrative purposes only and form no part of the claimed design.

1 Claim, 3 Drawing Sheets



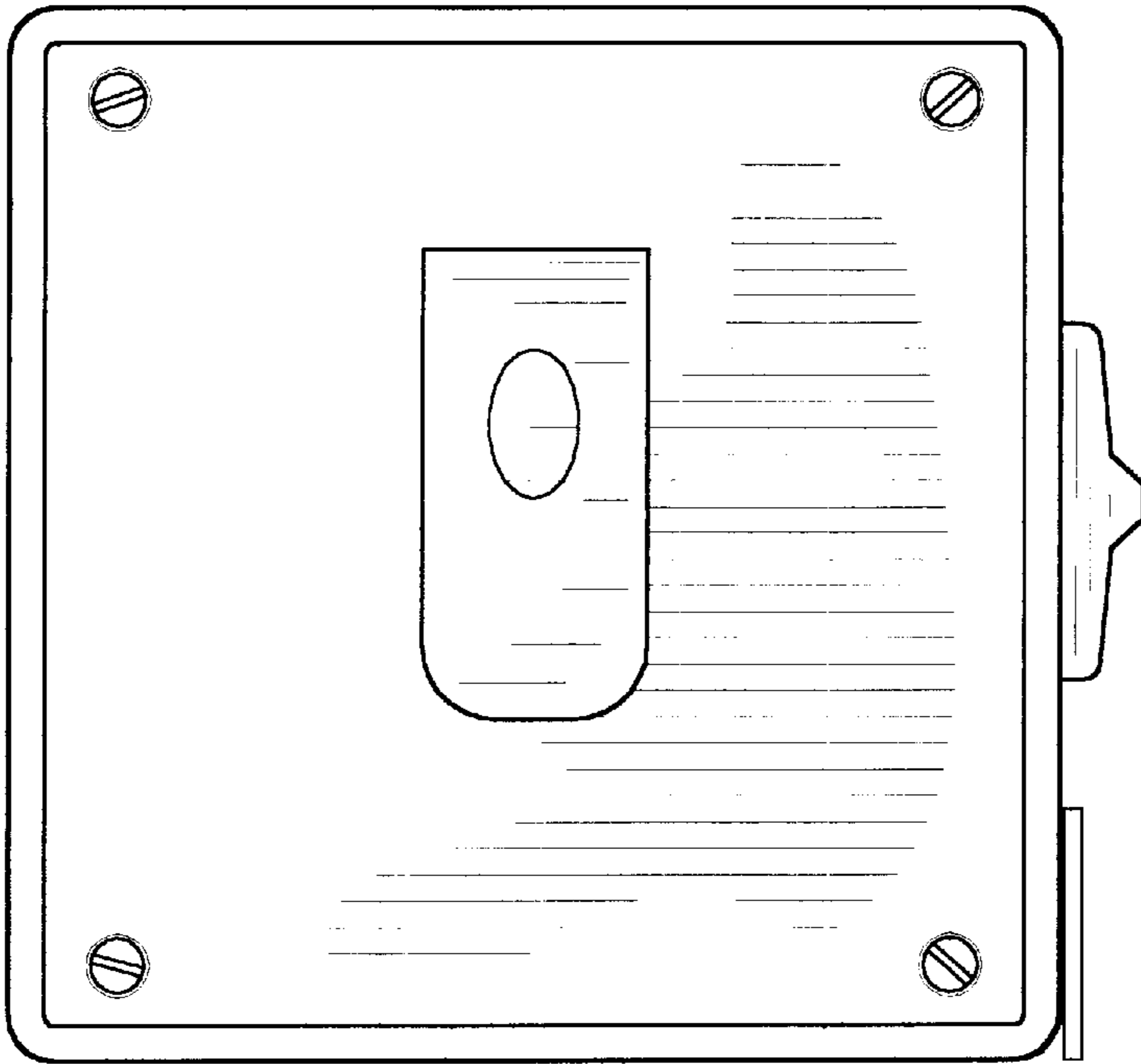


Fig. 1

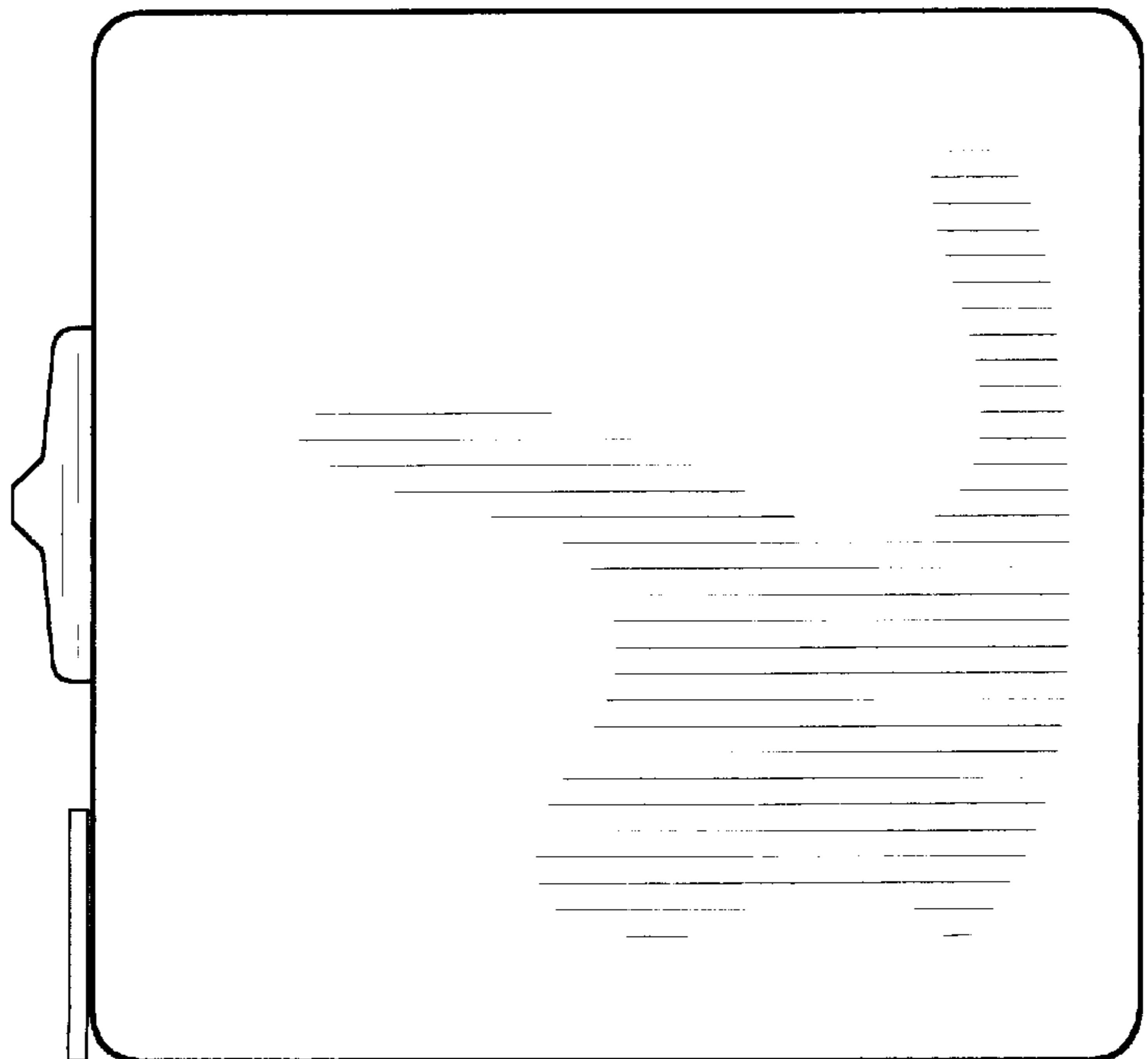


Fig. 2

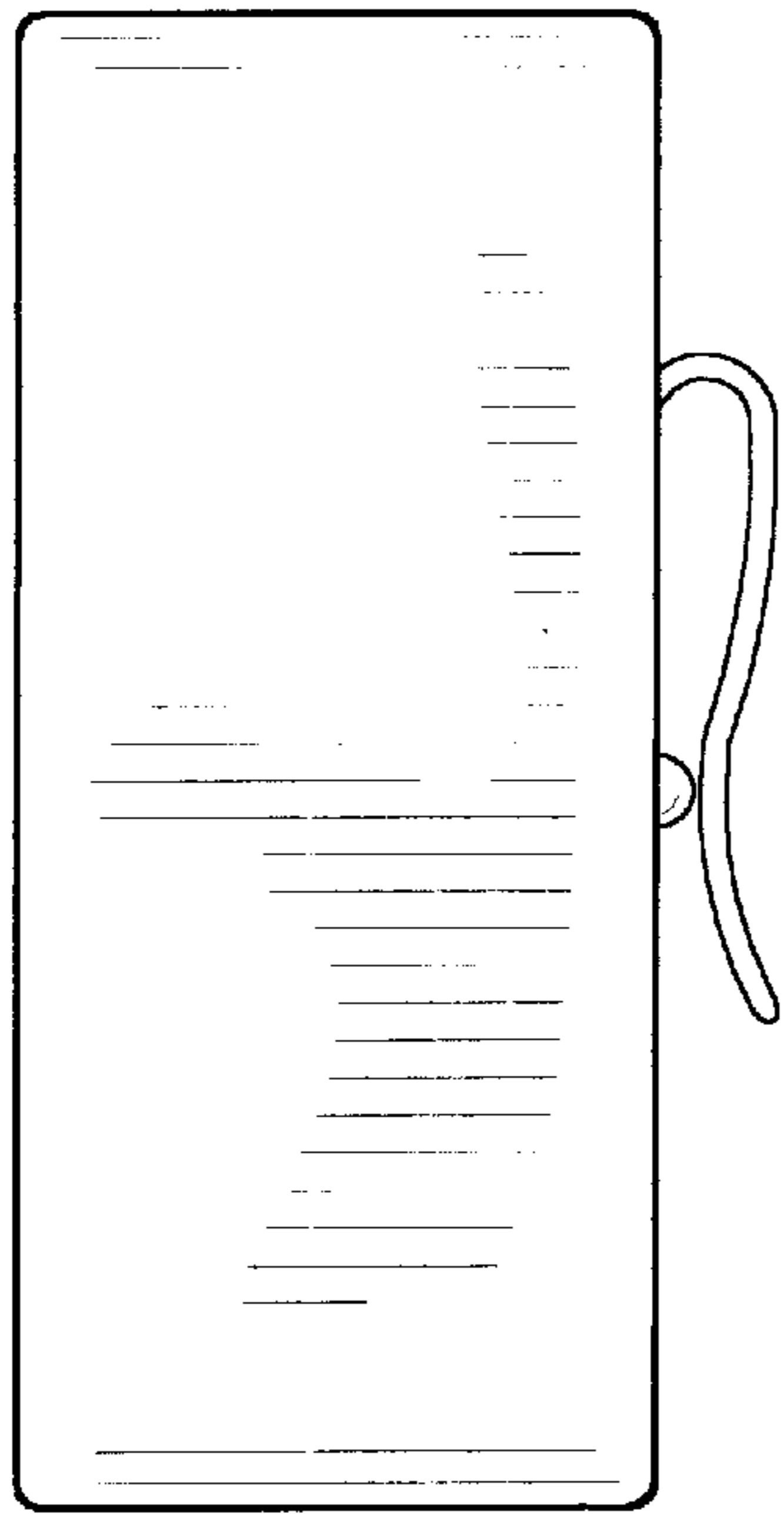


Fig. 3

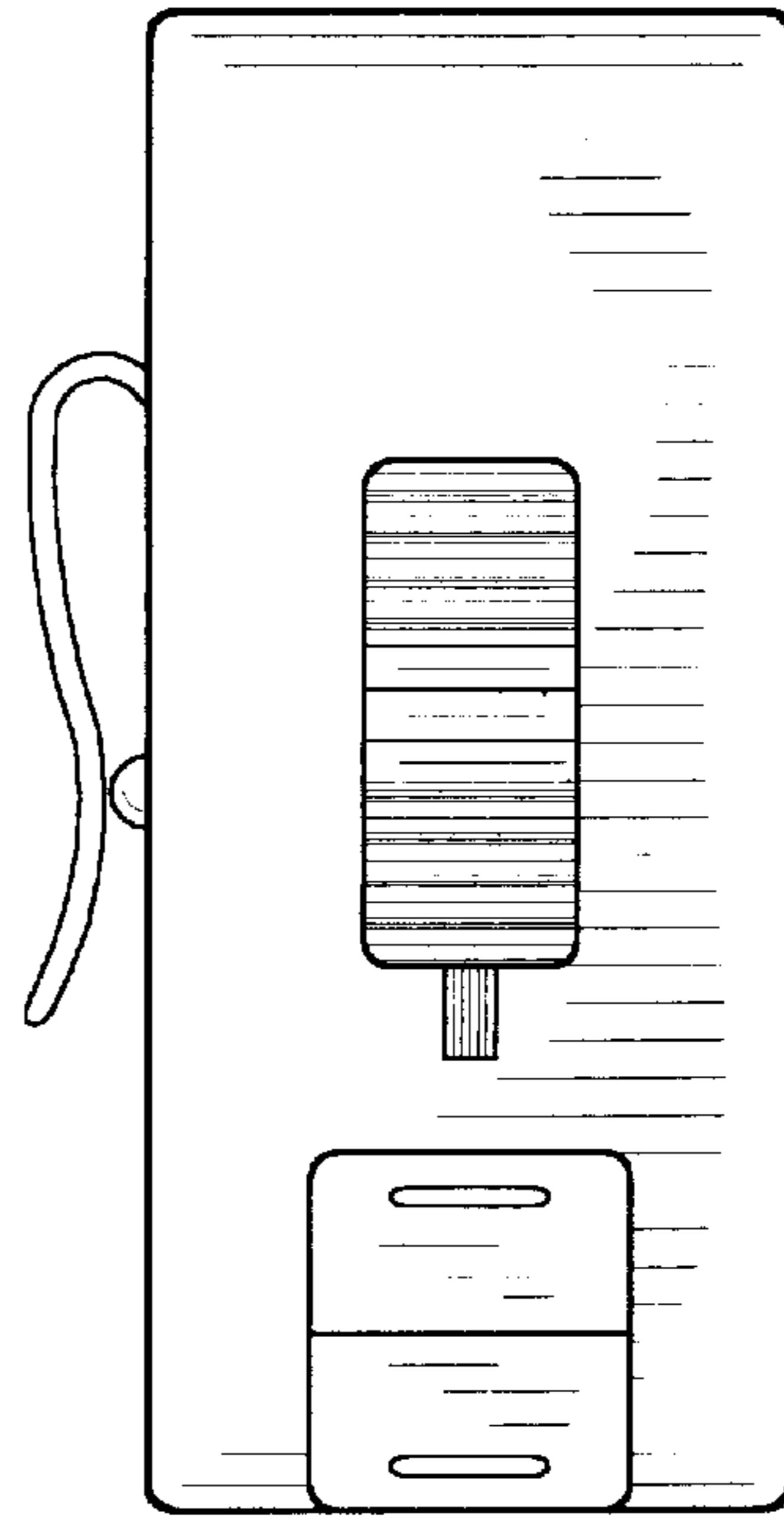


Fig. 4

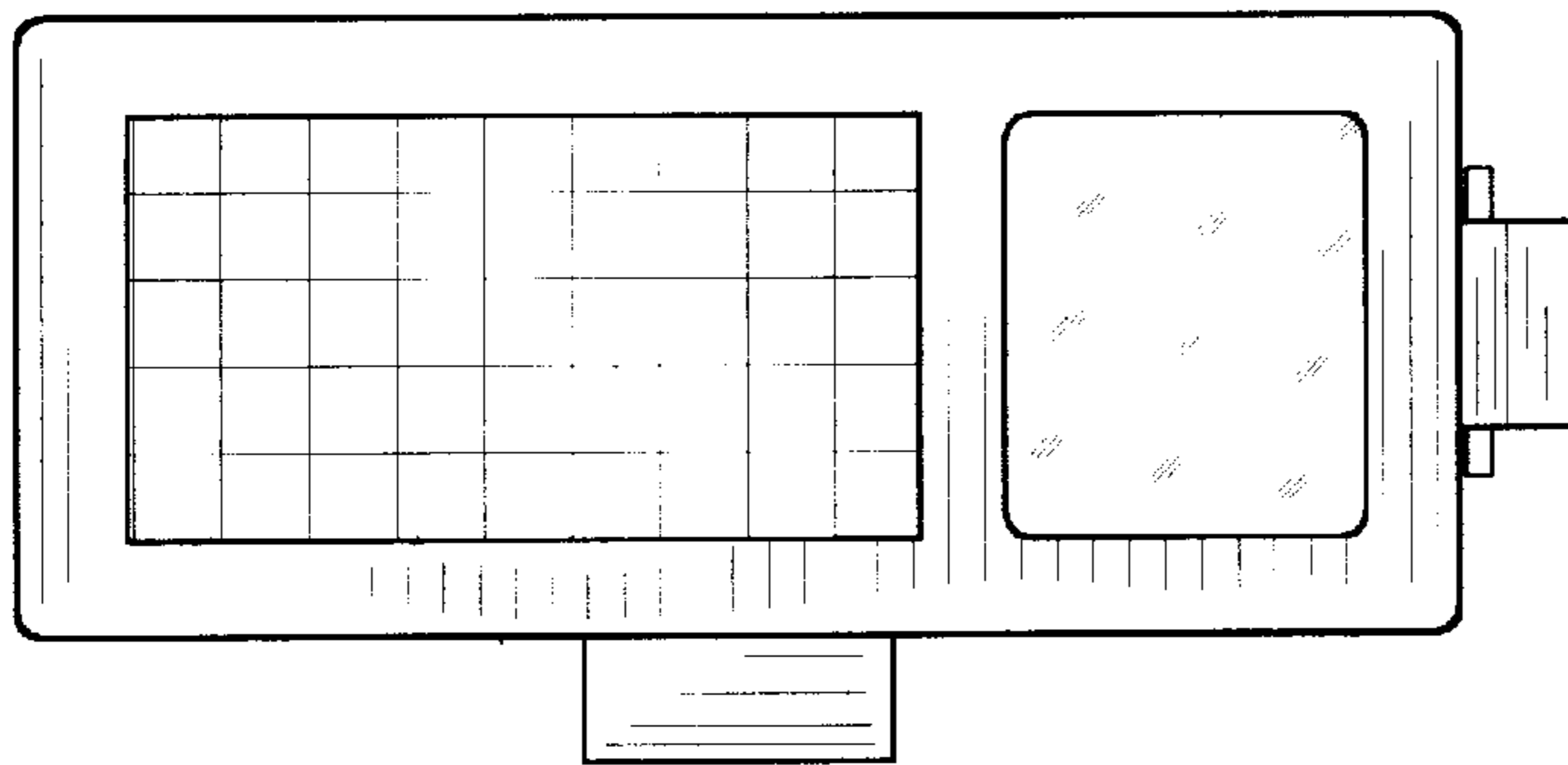


Fig. 5

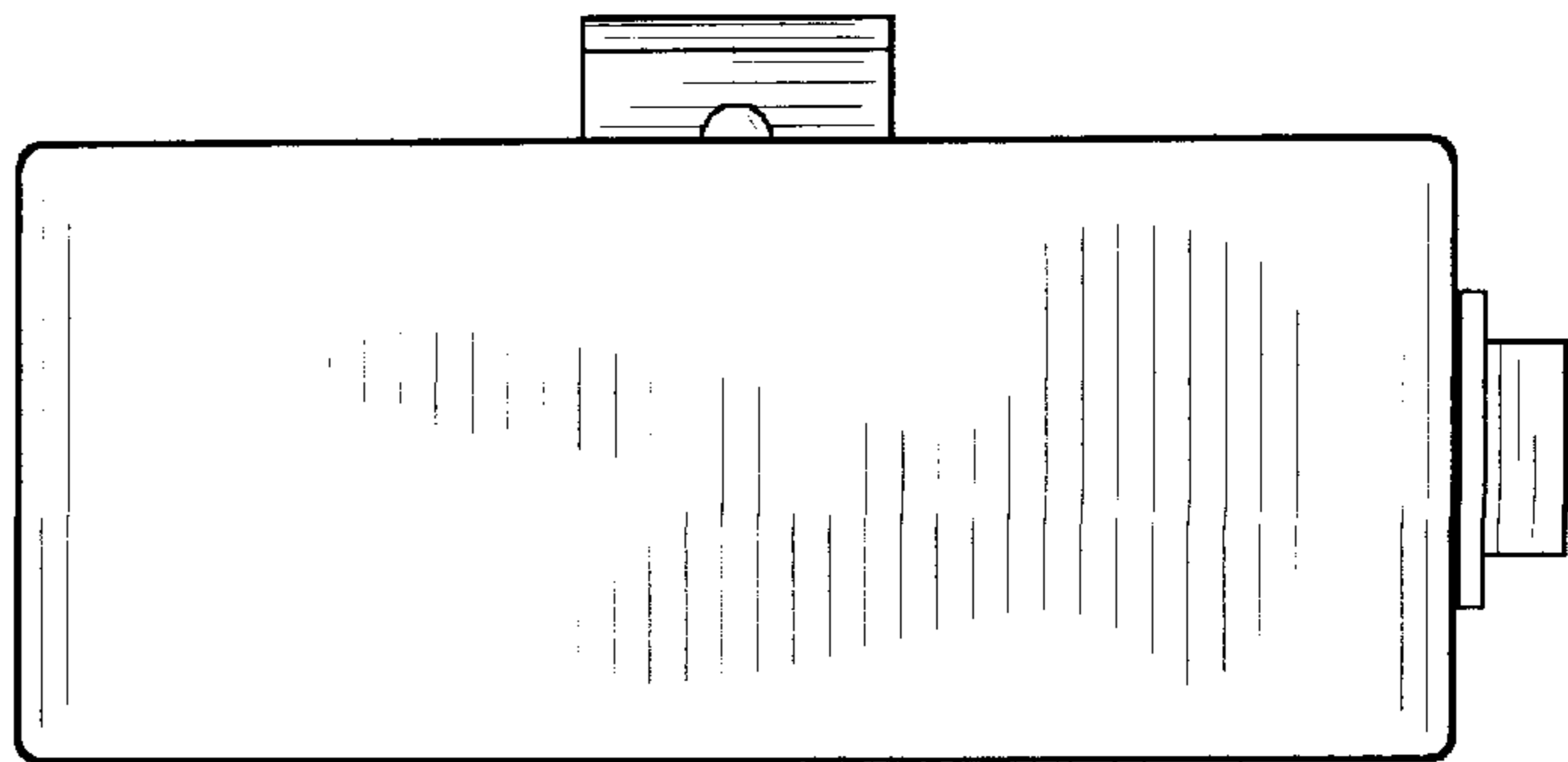


Fig. 6

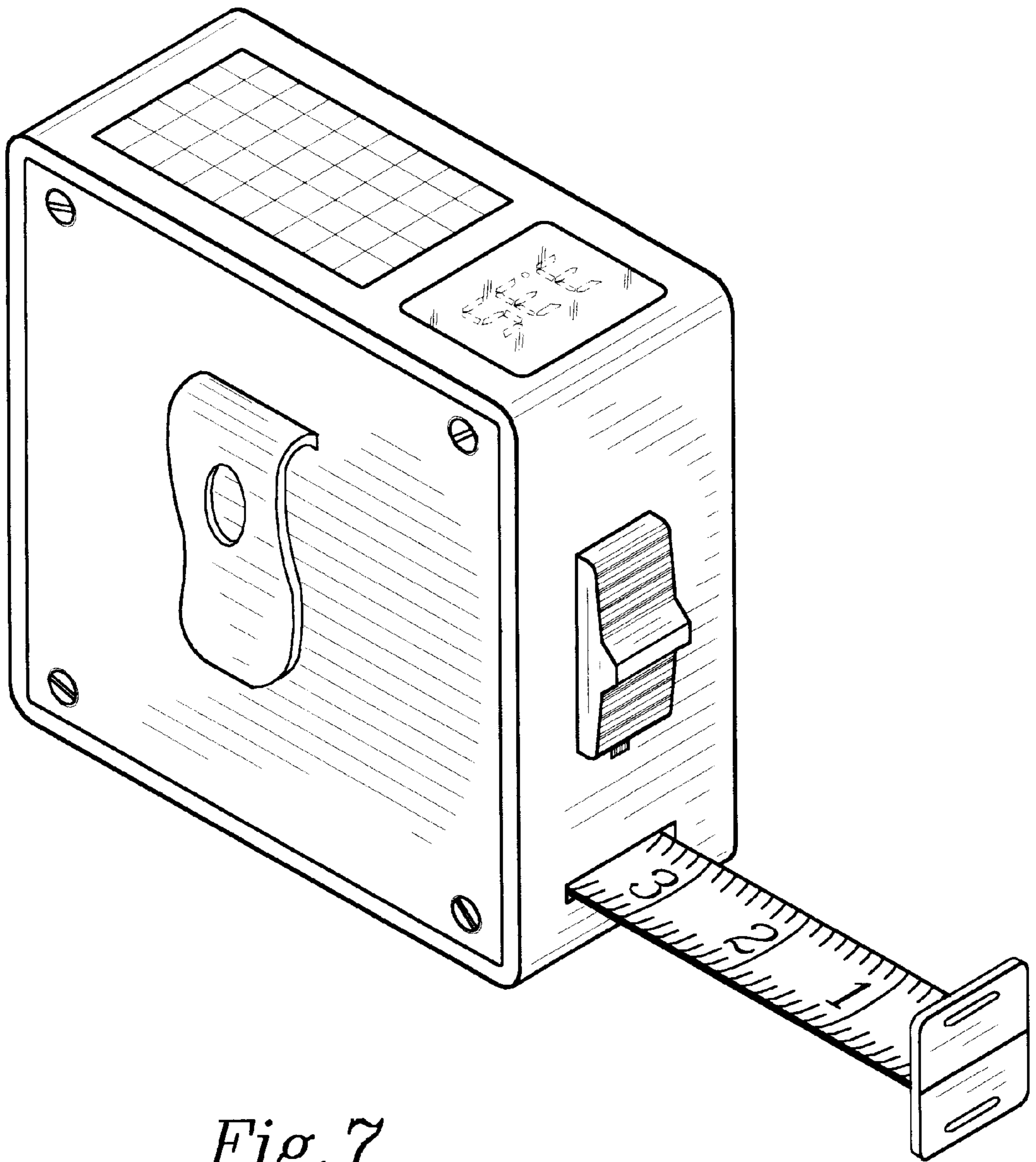


Fig. 7