



US00D423953S

# United States Patent [19] Kauffmann

[11] Patent Number: Des. 423,953

[45] Date of Patent: \*\* May 2, 2000

[54] WATCH

[75] Inventor: Vincent Kauffmann, Plan-les-Ouates, Switzerland

[73] Assignee: Vacheron & Constantin S.A., Geneva, Switzerland

[\*\*] Term: 14 Years

[21] Appl. No.: 29/105,700

[22] Filed: May 28, 1999

[30] Foreign Application Priority Data

Dec. 1, 1998 [XH] Hague Agreement ..... DMA/004318

[51] LOC (7) Cl. .... 10-02

[52] U.S. Cl. .... D10/39; D10/126

[58] Field of Search ..... D10/1-40, 122-132; 368/280-282, 276-277, 285

[56] References Cited

U.S. PATENT DOCUMENTS

D. 222,784 12/1971 Kurth ..... D10/39

- D. 301,693 6/1989 Canta ..... D10/39
- D. 323,627 2/1992 Krieger ..... D10/39
- D. 329,612 9/1992 Hysek ..... D10/39
- D. 392,195 3/1998 Riley ..... D10/30
- D. 399,763 10/1998 Rabassa ..... D10/38

Primary Examiner—Nelson C. Holtje  
Attorney, Agent, or Firm—Young & Thompson

[57] CLAIM

The ornamental design for a watch, as shown and described.

DESCRIPTION

- FIG. 1 is a top plan view thereof.
- FIG. 2 is a bottom plan view thereof.
- FIG. 3 is a side view from the top of FIG. 1.
- FIG. 4 is a side view from the bottom of FIG. 1.
- FIG. 5 is a side view from the right of FIG. 1.
- FIG. 6 is a side view from the left of FIG. 1; and,
- FIG. 7 is a perspective view thereof.

1 Claim, 1 Drawing Sheet

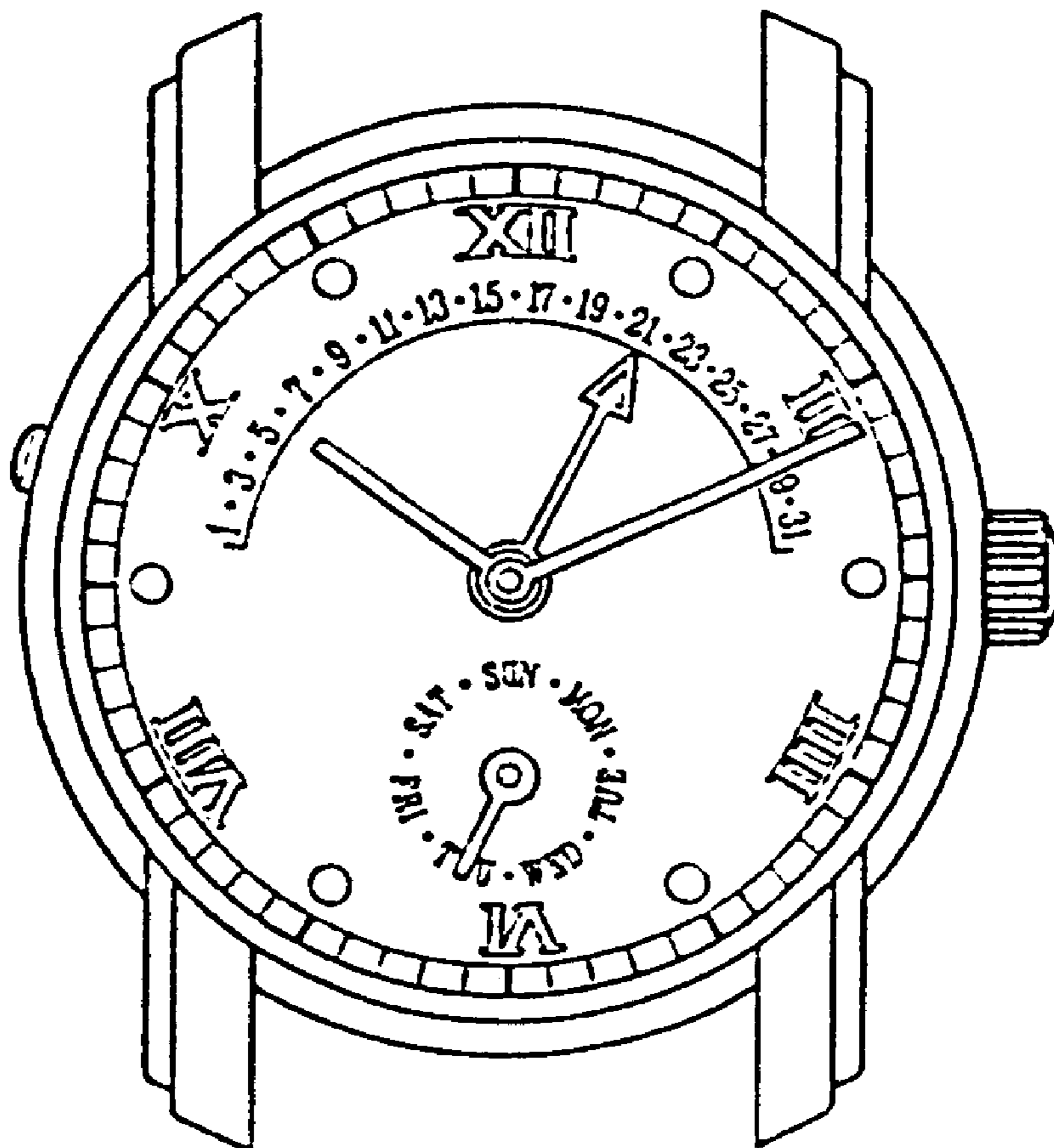


Fig. 7

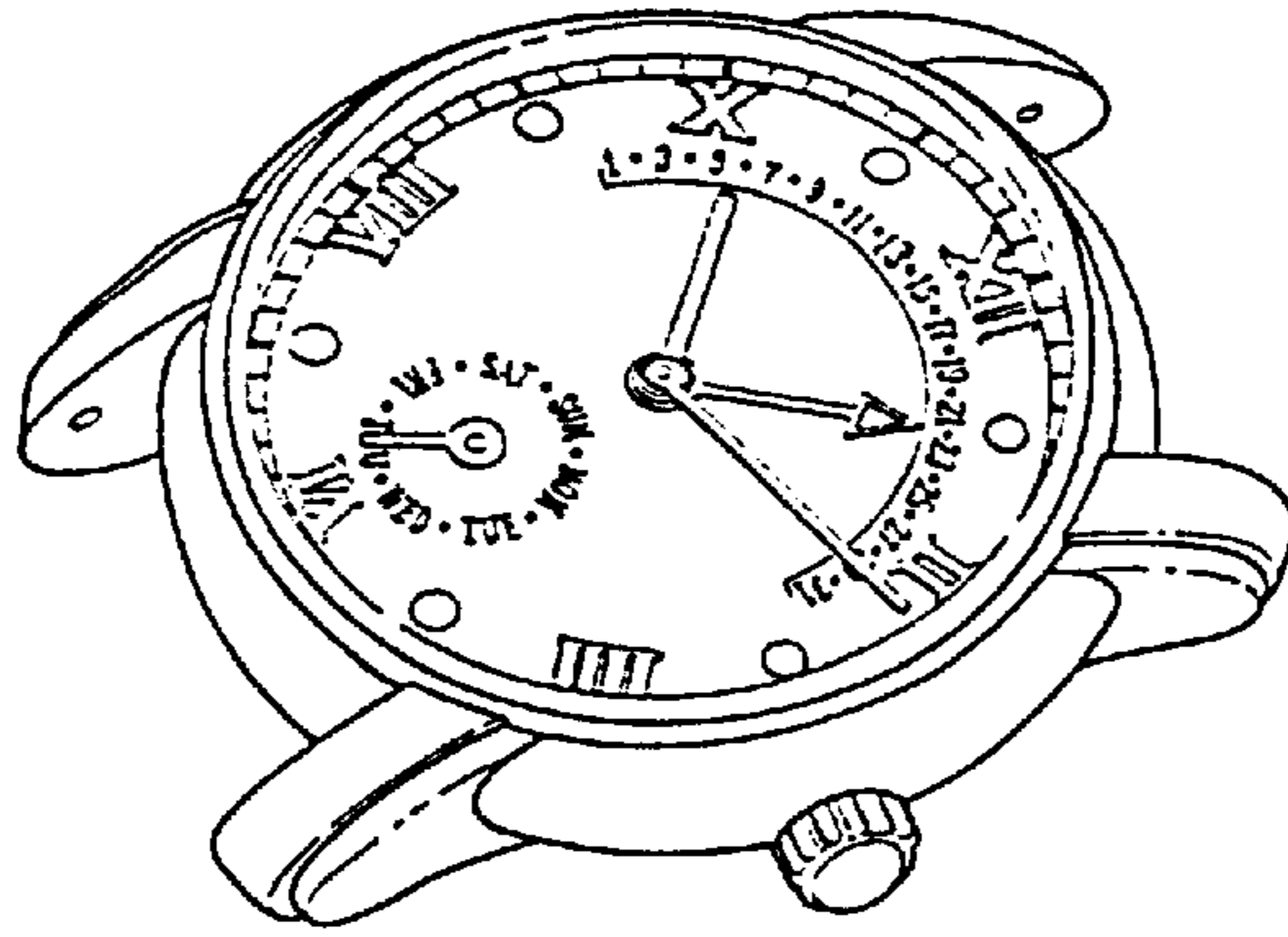


Fig. 1

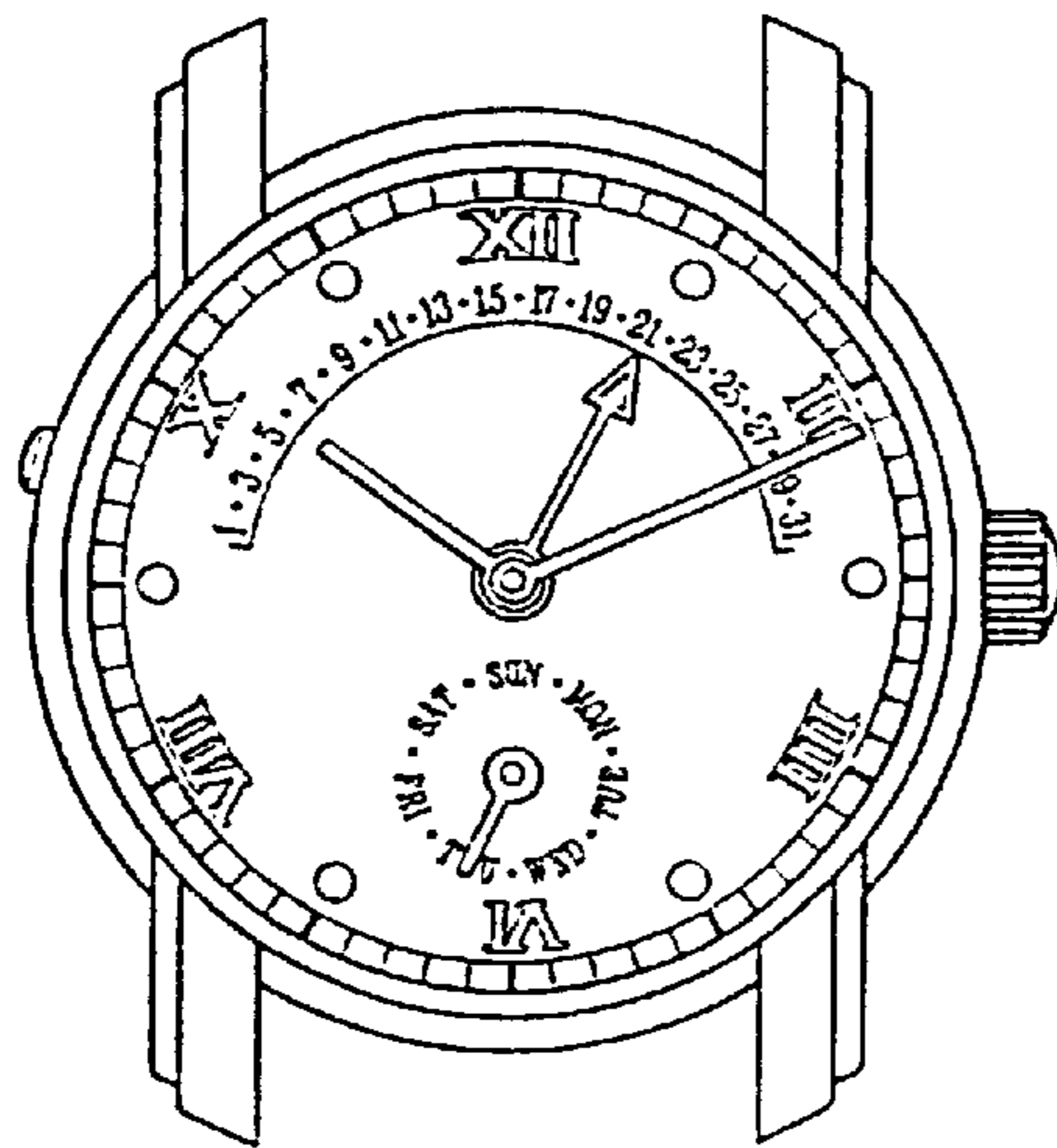


Fig. 2

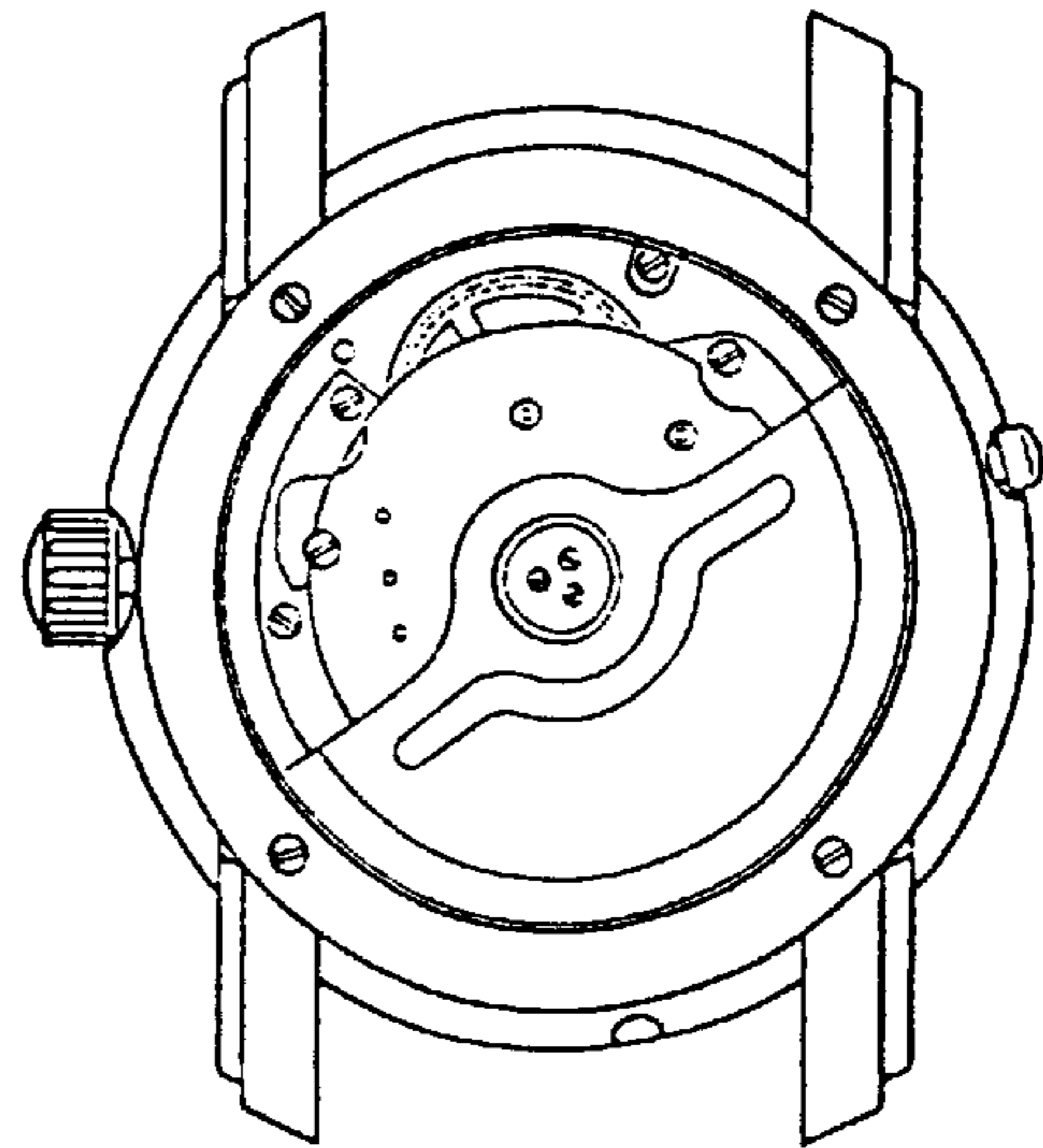


Fig. 4

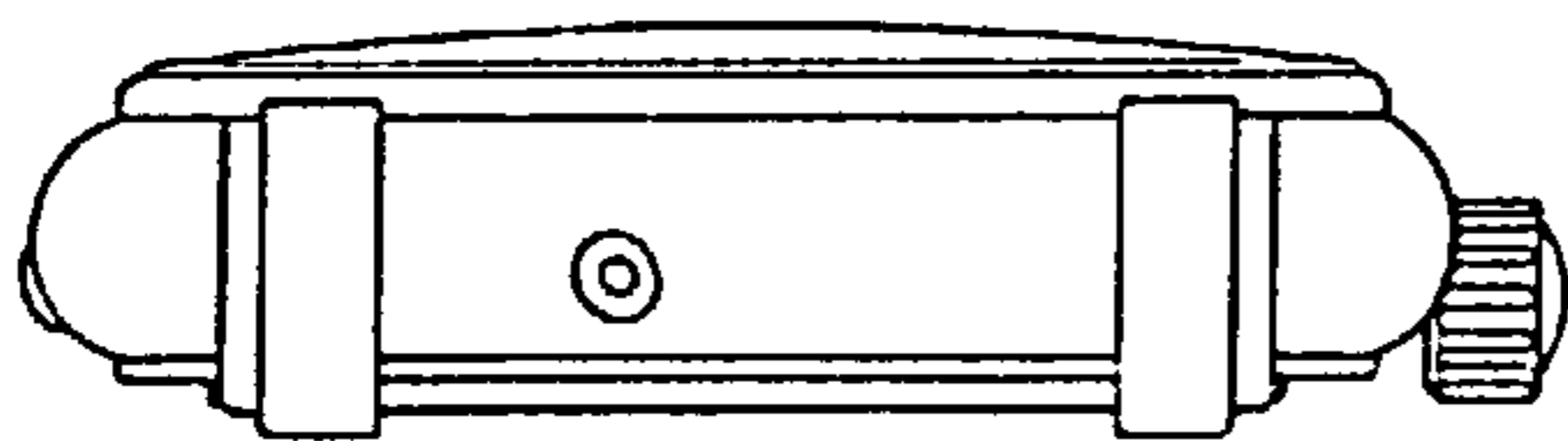


Fig. 3

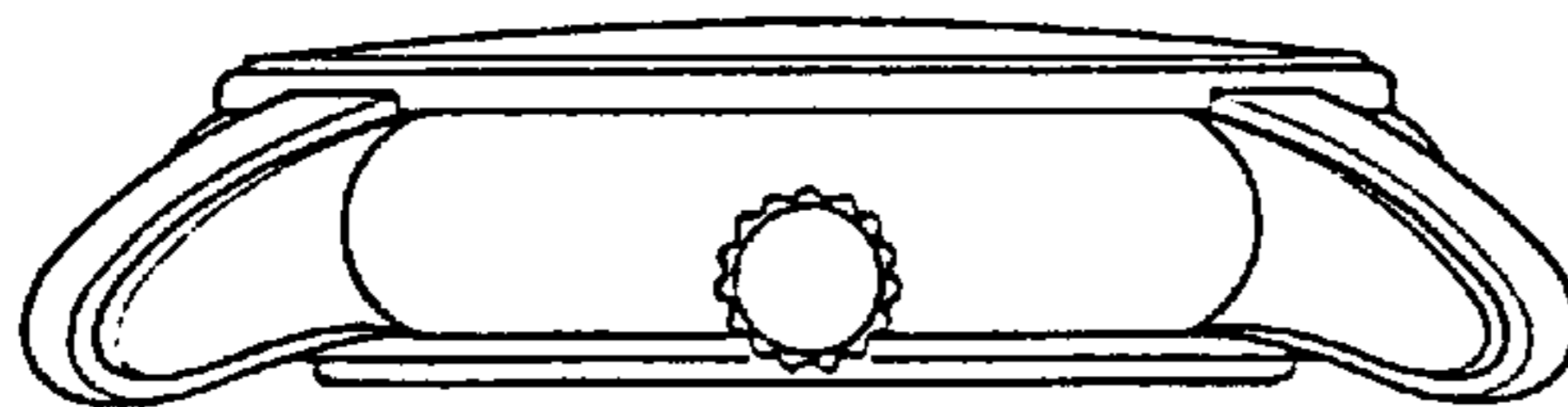
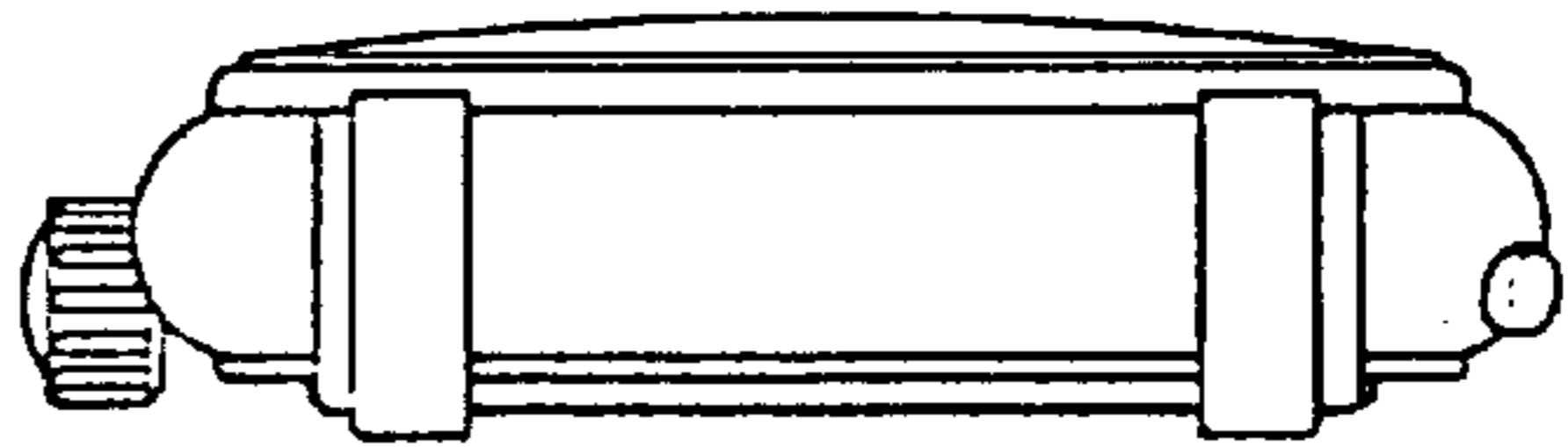


Fig. 5

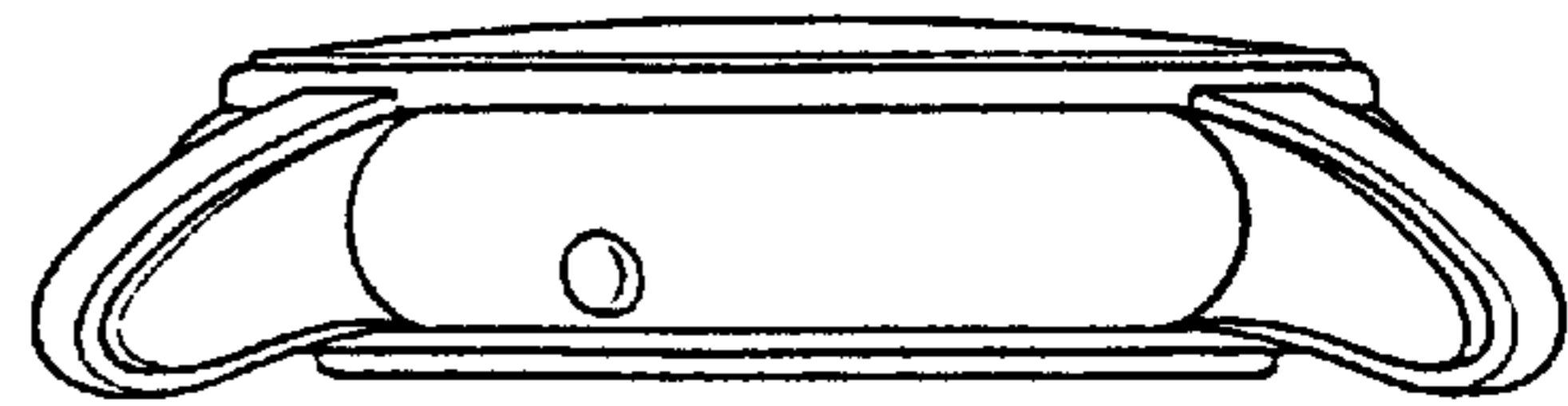


Fig. 6