



US00D423947S

United States Patent [19]

Sugisawa et al.

[11] Patent Number: **Des. 423,947**

[45] Date of Patent: **** May 2, 2000**

[54] **WATCH CASE**

[75] Inventors: **Akihiro Sugisawa**, Fussa; **Takashi Nikaido**, Ome, both of Japan

[73] Assignee: **Casio Keisanki Kabushiki Kaisha**, Tokyo, Japan

[**] Term: **14 Years**

[21] Appl. No.: **29/101,272**

[22] Filed: **Mar. 1, 1999**

[51] **LOC (7) Cl.** **10-02**

[52] **U.S. Cl.** **D10/30; D10/38**

[58] **Field of Search** D10/1-40, 122-132; 368/280-282, 276-277, 28-30, 285, 239-242, 82-84, 41-44

[56] **References Cited**

U.S. PATENT DOCUMENTS

- D. 308,870 6/1990 Rioux, Jr. D14/251
- D. 361,275 8/1995 Wyss D10/30
- D. 365,282 12/1995 Chodat D10/30

- D. 394,400 5/1998 Iwamoto D10/30
- D. 401,160 11/1998 Akagi D10/30
- D. 402,898 12/1998 Hanagata D10/30
- D. 403,246 12/1998 Hanagata D10/30
- D. 407,025 3/1999 Hanagata D10/30
- D. 407,027 3/1999 Kubo et al. D10/30
- D. 407,329 3/1999 Kawashima D10/30

Primary Examiner—Nelson C. Holtje
Attorney, Agent, or Firm—Frishauf, Holtz, Goodman, Langer & Chick, P.C.

[57] **CLAIM**

The ornamental design for watch case, as shown.

DESCRIPTION

FIG. 1 is a front elevational view of watch case showing our new design;
FIG. 2 is a right side elevational view thereof;
FIG. 3 is a left side elevational view thereof;
FIG. 4 is a top plan view thereof;
FIG. 5 is a bottom plan view thereof;
FIG. 6 is a rear elevational view thereof; and,
FIG. 7 is a perspective view thereof.

1 Claim, 2 Drawing Sheets

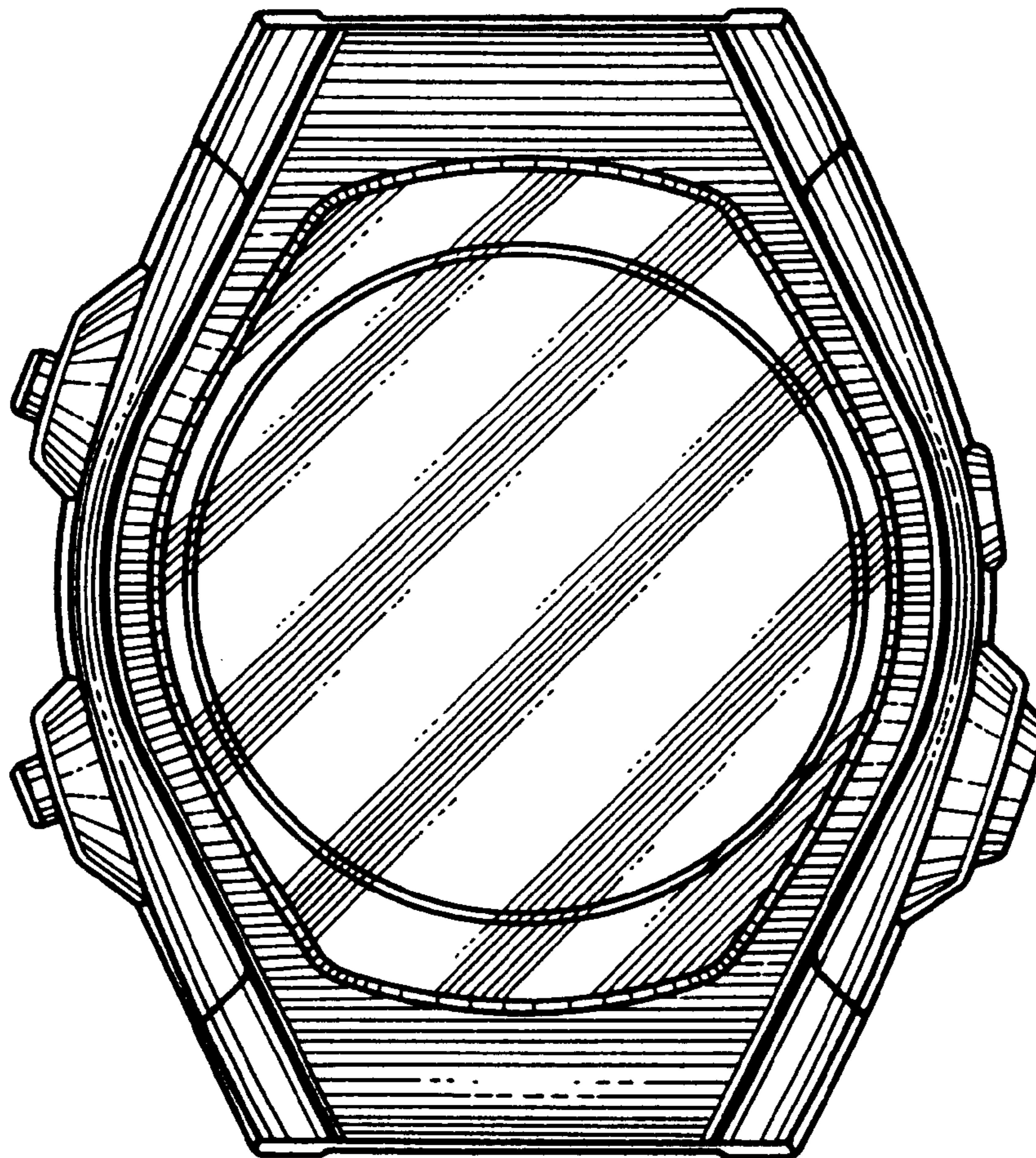


FIG. 4

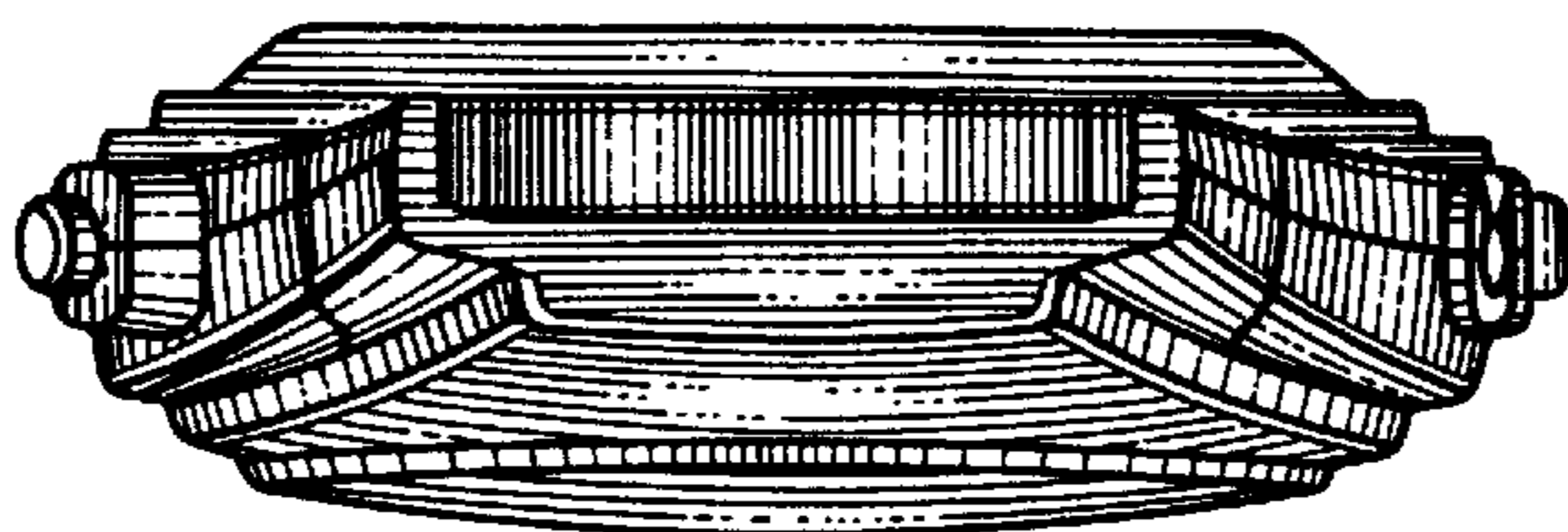


FIG. 3

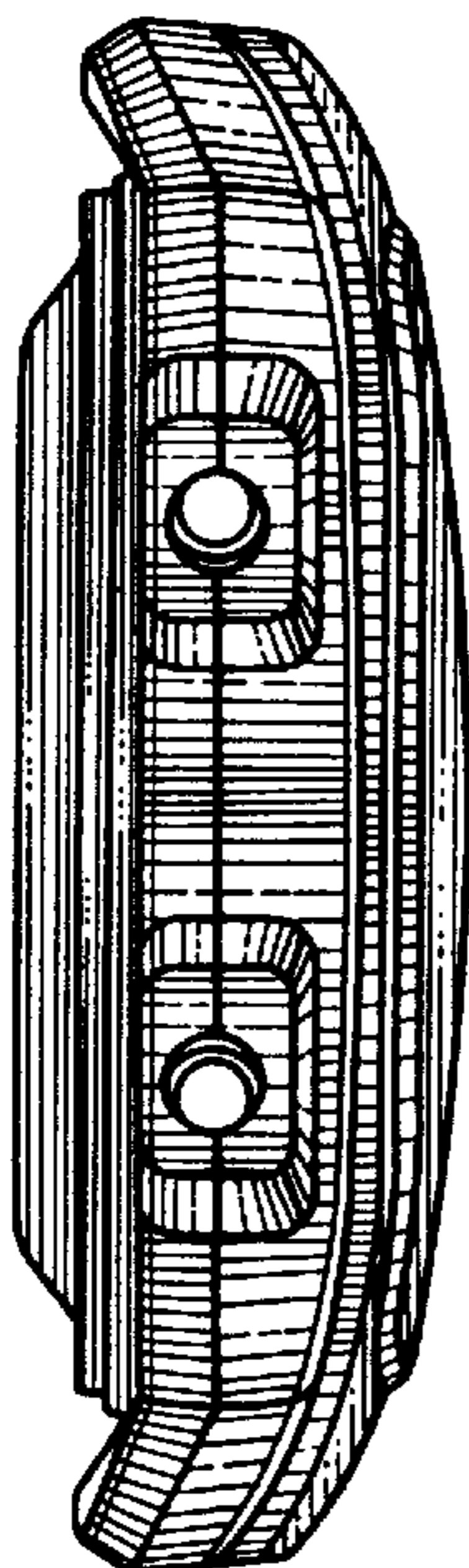


FIG. 1

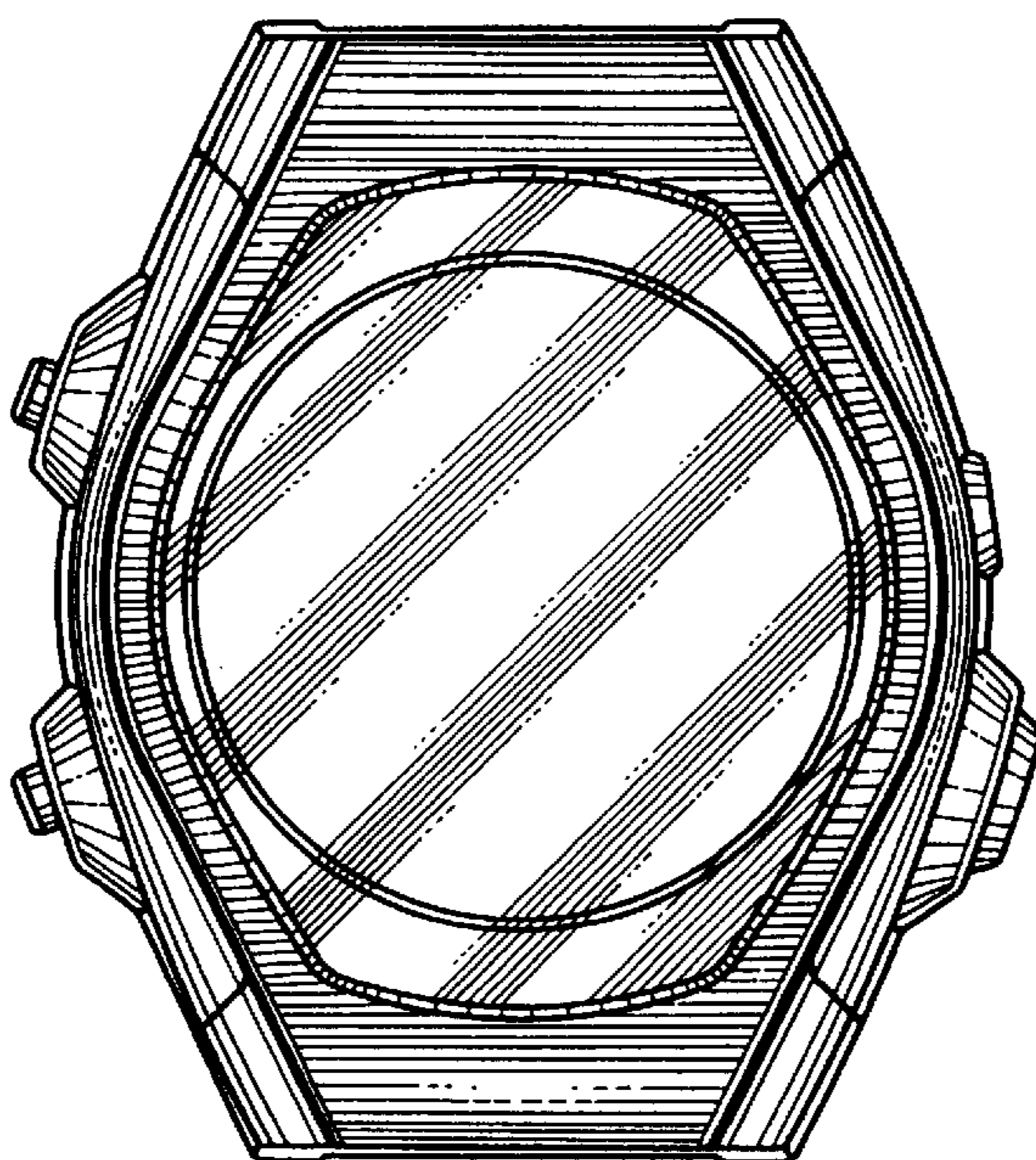


FIG. 2

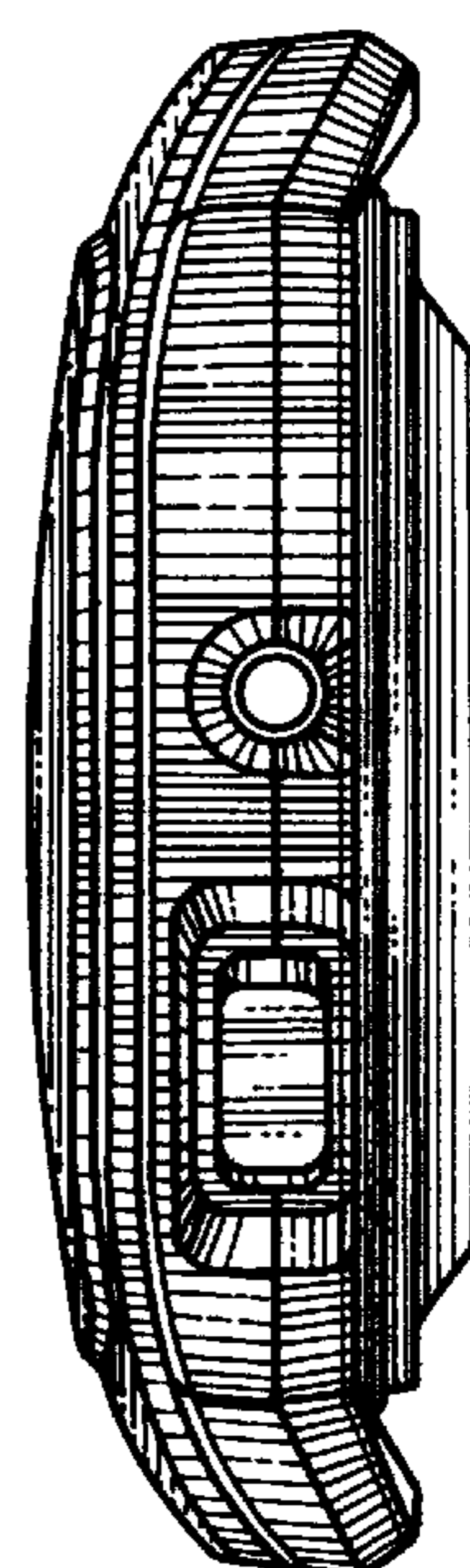
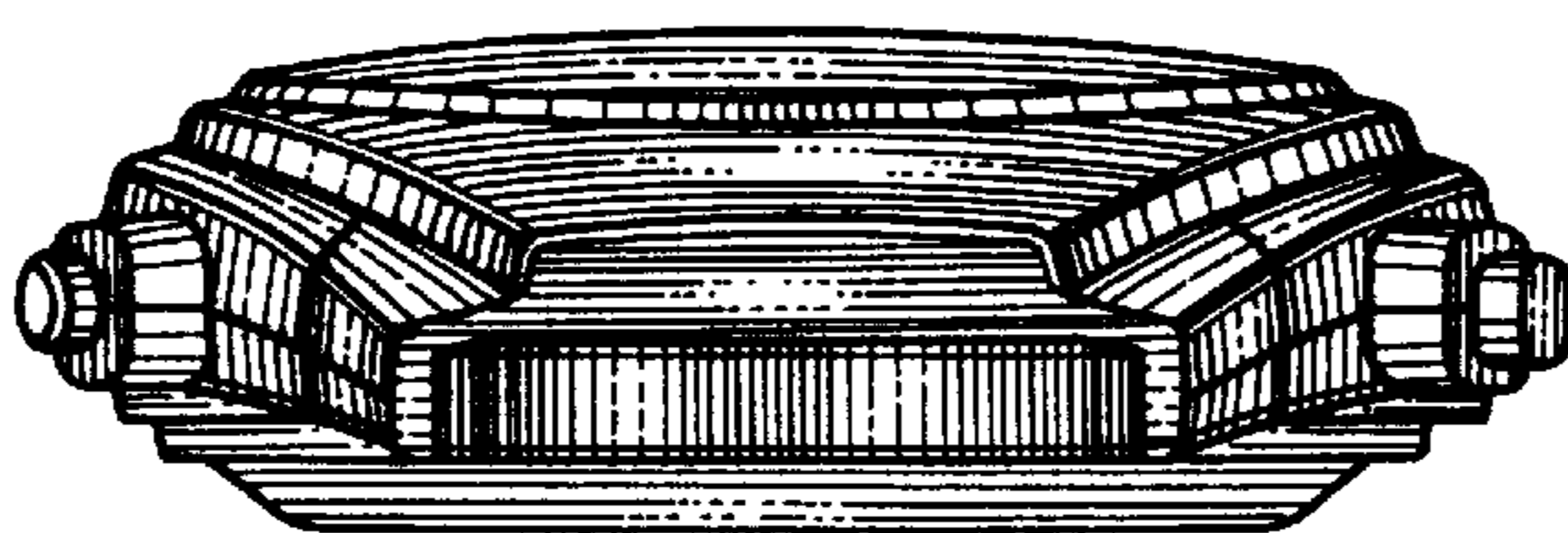


FIG. 5



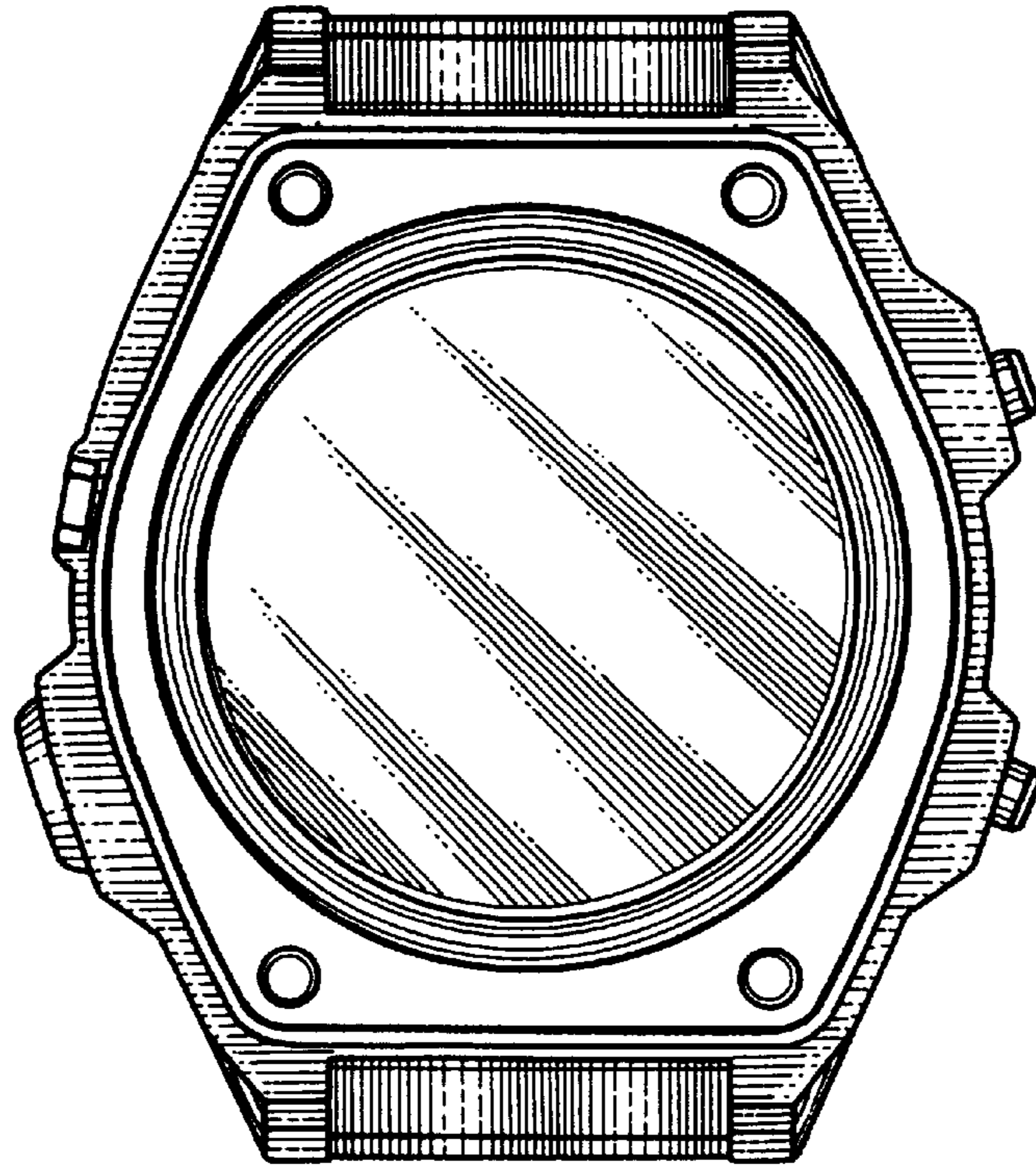


FIG. 6

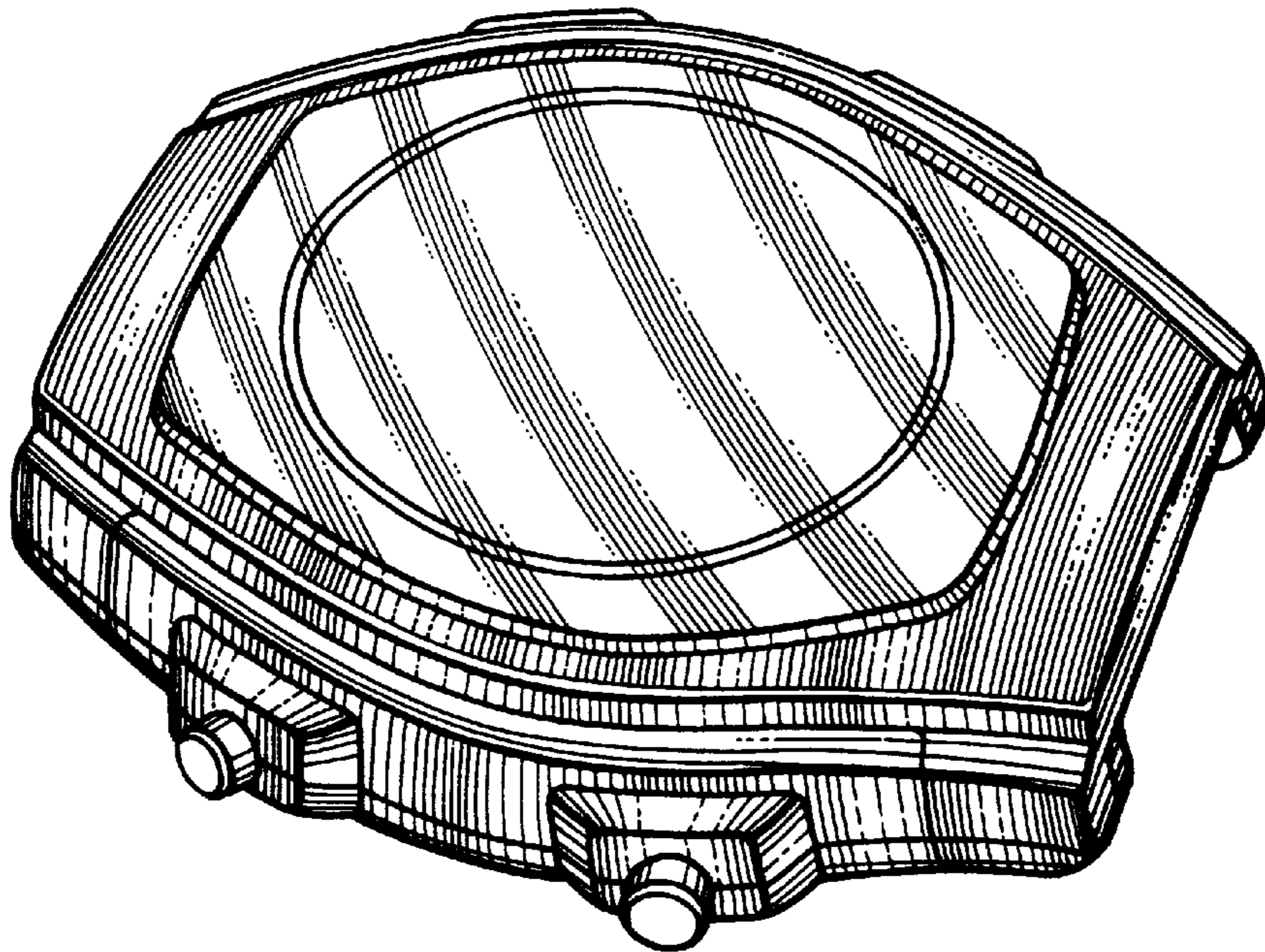


FIG. 7