



US00D423940S

United States Patent [19] Chimetto

[11] **Patent Number: Des. 423,940**

[45] **Date of Patent: ** May 2, 2000**

[54] **BOTTLE**

5,746,339 5/1998 Petre 215/383
5,829,614 11/1998 Collette et al. 215/375

[75] Inventor: **Fabio Chimetto**, Piazzola sul Brenta PD, Italy

OTHER PUBLICATIONS

San Francisco Chronicle, Aug. 16, 1989, p. 10, photograph of water bottles.

[73] Assignee: **Acqua Vera S.p.A.**, San Giorgio in Bosco PD, Italy

Primary Examiner—Lucy Lieberman
Attorney, Agent, or Firm—Browdy and Neimark

[**] Term: **14 Years**

[21] Appl. No.: **29/086,368**

[57] CLAIM

[22] Filed: **Apr. 10, 1998**

The ornamental design for a bottle, as shown and described.

[30] Foreign Application Priority Data

DESCRIPTION

Oct. 10, 1997 [IT] Italy RM9700267
Nov. 20, 1997 [IT] Italy RM9700296

FIG. 1 is front elevation of a bottle showing my new design, the rear elevation being the same;

[51] **LOC (7) Cl.** **09-01**

FIG. 2 is a right side elevation thereof, the left side elevation being the same;

[52] **U.S. Cl.** **D9/541; D9/560; D9/564; D9/569**

FIG. 3 is a horizontal cross sectional view taken along line A—A of FIGS. 1 and 2;

[58] **Field of Search** D9/560, 556, 557, D9/552, 569, 570, 520, 566, 553, 565, 538, 541; 215/382, 383, 384, 370–375

FIG. 4 is a top plan view thereof;

FIG. 5 is a front elevation of a second embodiment of the bottle, the rear elevation being the same;

FIG. 6 is a right side elevation of the second embodiment, the left side elevation being the same;

[56] References Cited

U.S. PATENT DOCUMENTS

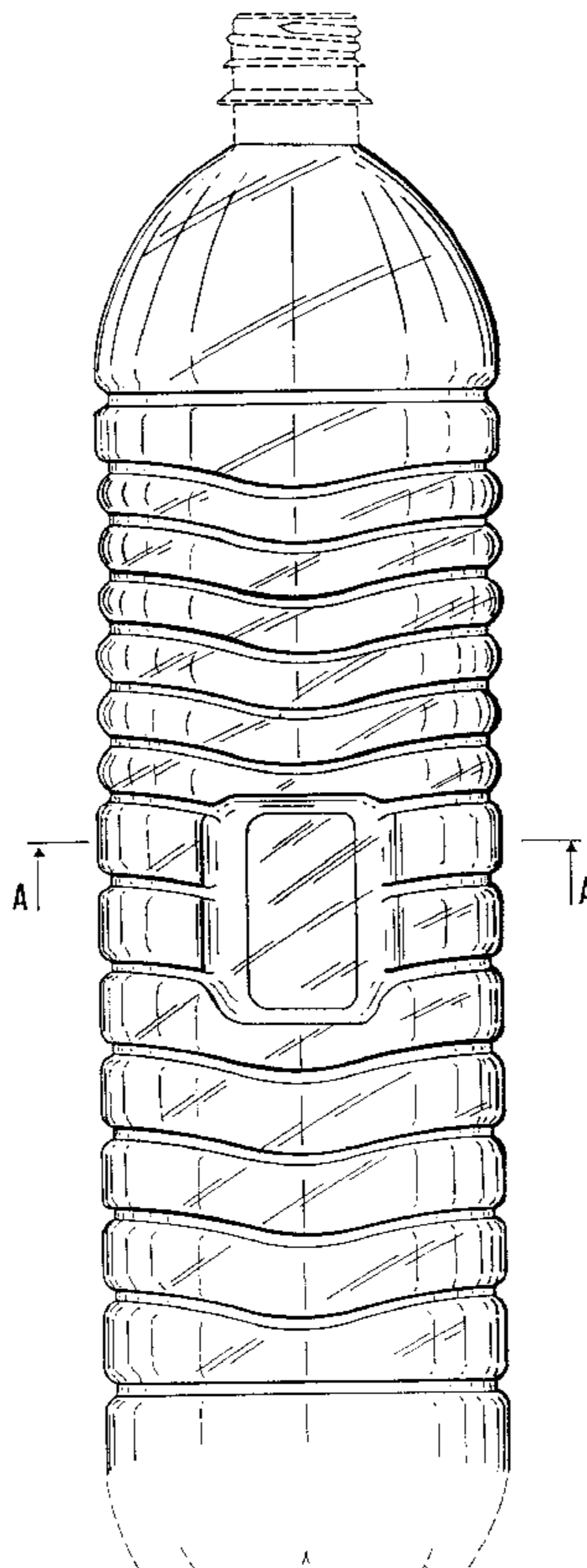
D. 67,221 5/1925 Miller D9/552
D. 67,464 6/1925 Johnson D9/552
D. 268,324 3/1983 Gautier D9/560
D. 306,262 2/1990 Bit D9/557
D. 374,826 10/1996 Mackinson et al. D9/553
D. 398,855 9/1998 Ito D9/552

FIG. 7 is a horizontal cross sectional view of the second embodiment taken along line B—B in FIGS. 5 and 6; and,

FIG. 8 is a top plan view of the second embodiment.

The broken line showing of a bottle neck and bottom part is for illustrative purposes only and forms no part of the claimed design.

1 Claim, 6 Drawing Sheets



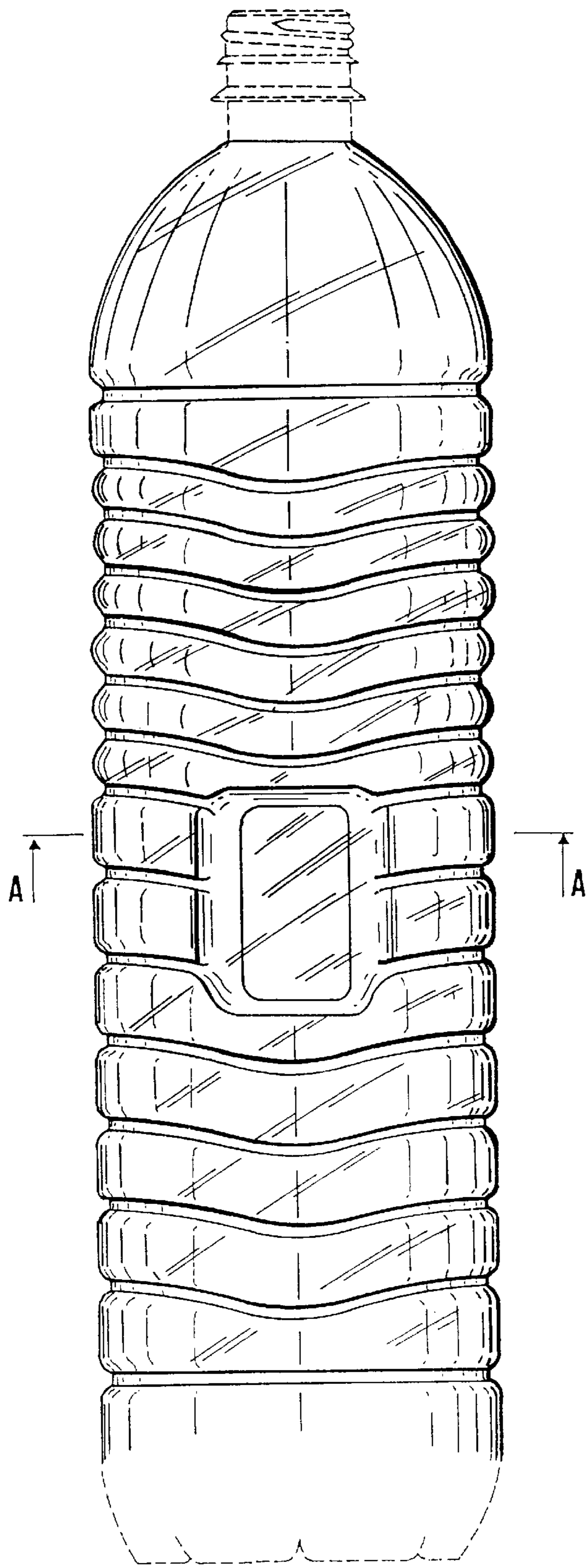


FIG. 1

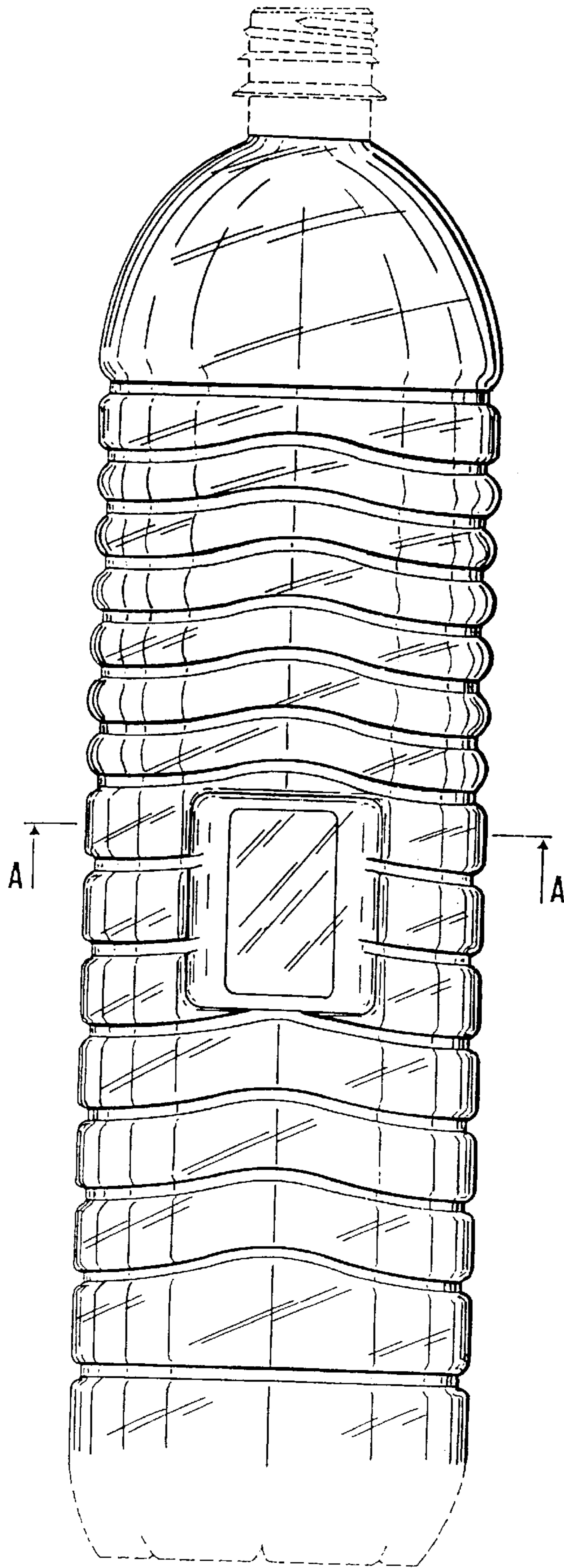


FIG. 2

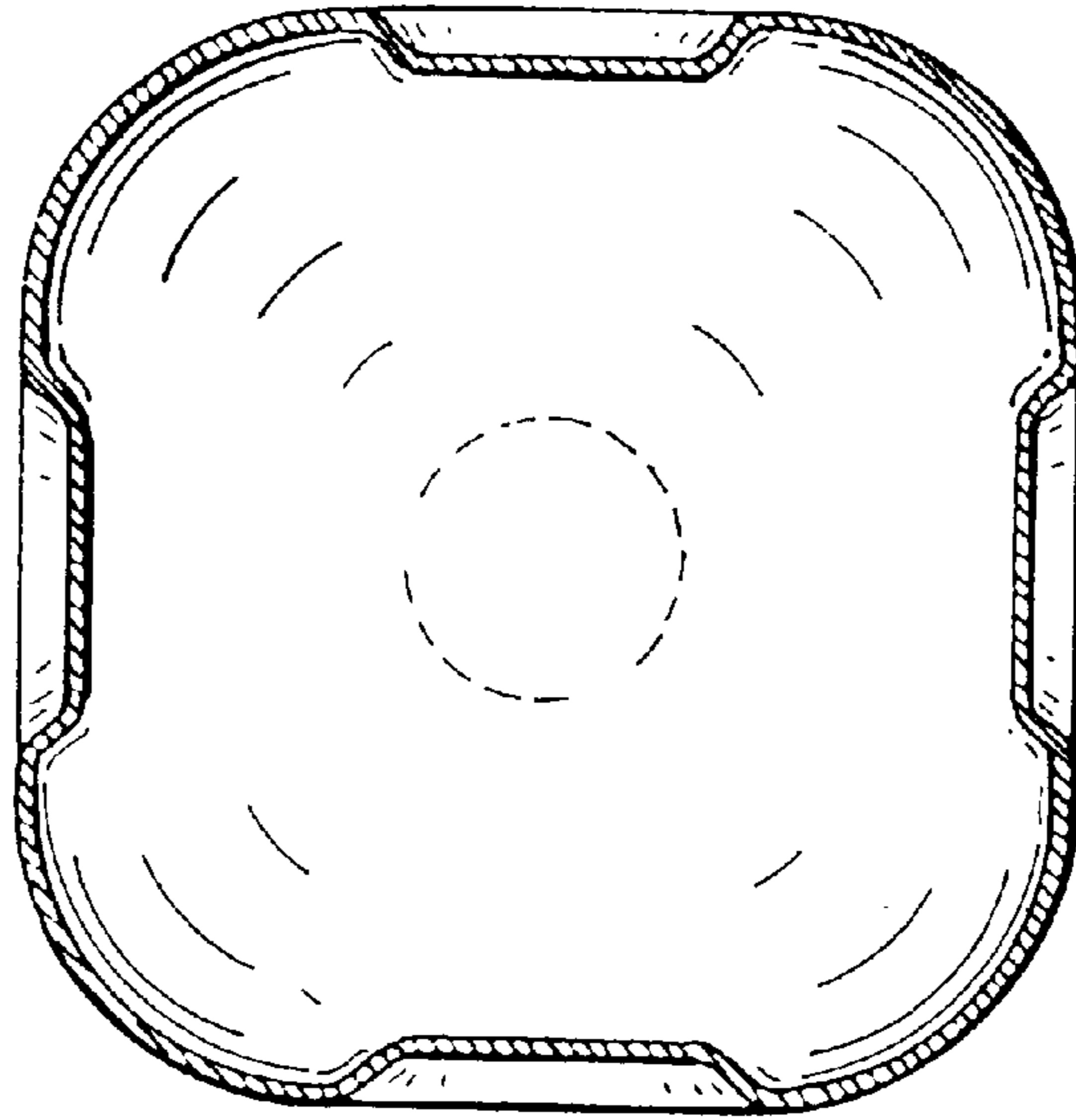


FIG. 3

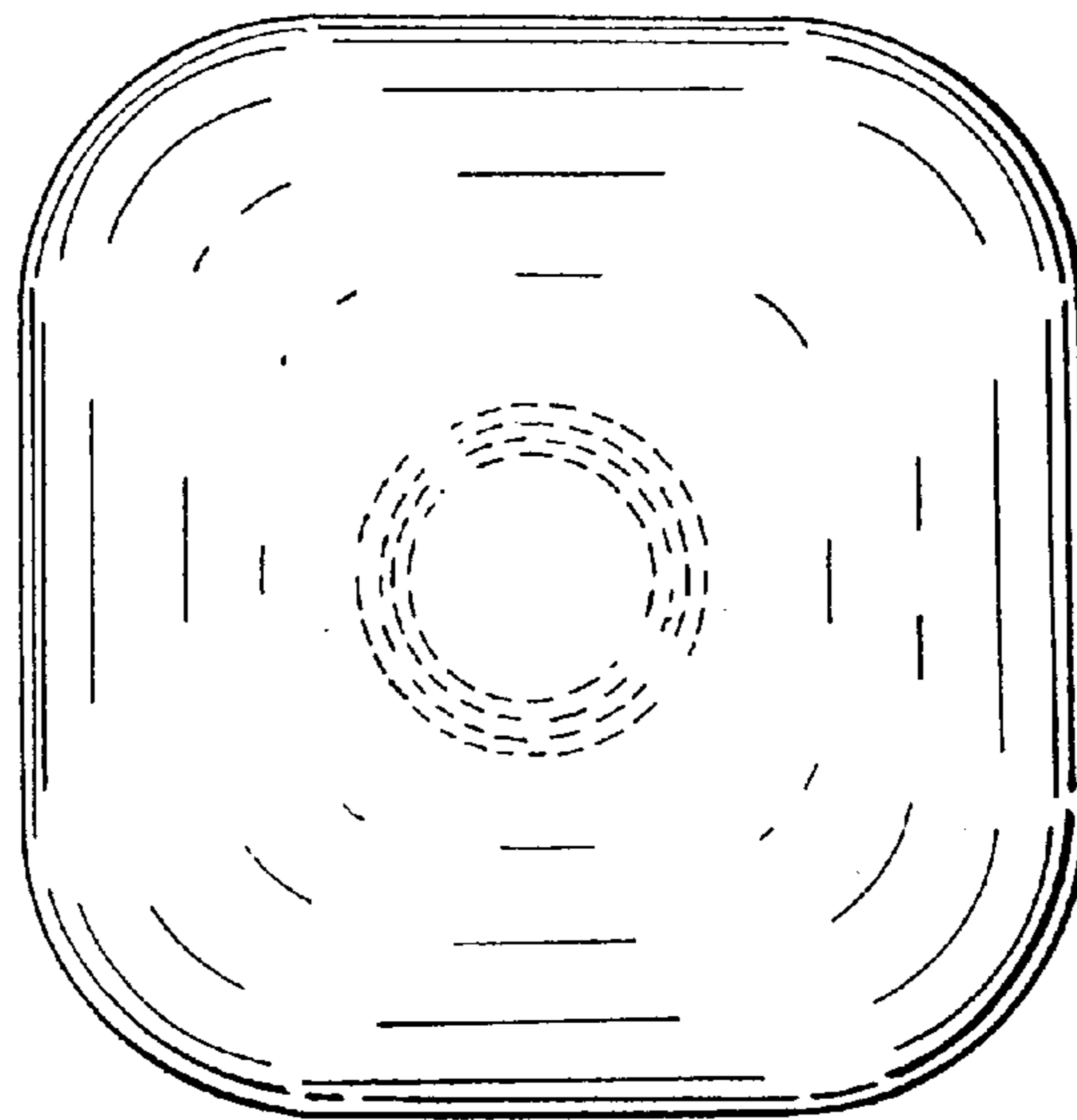


FIG. 4

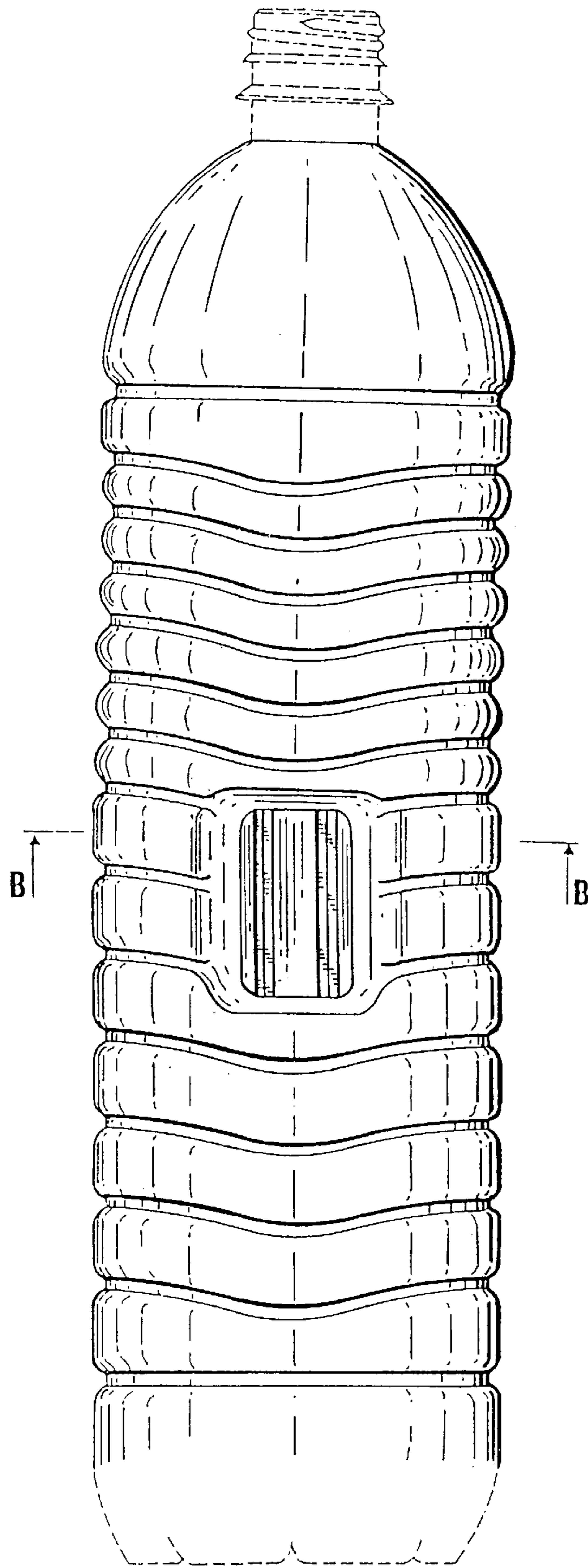


FIG. 5

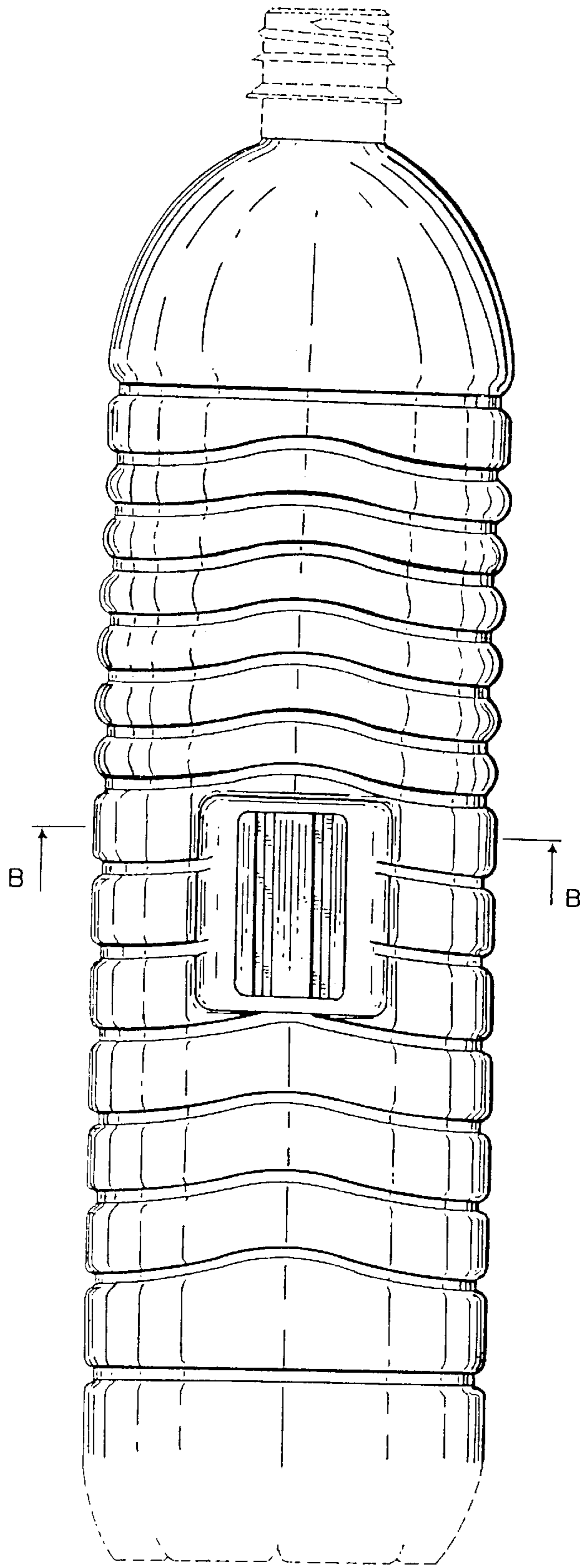


FIG. 6

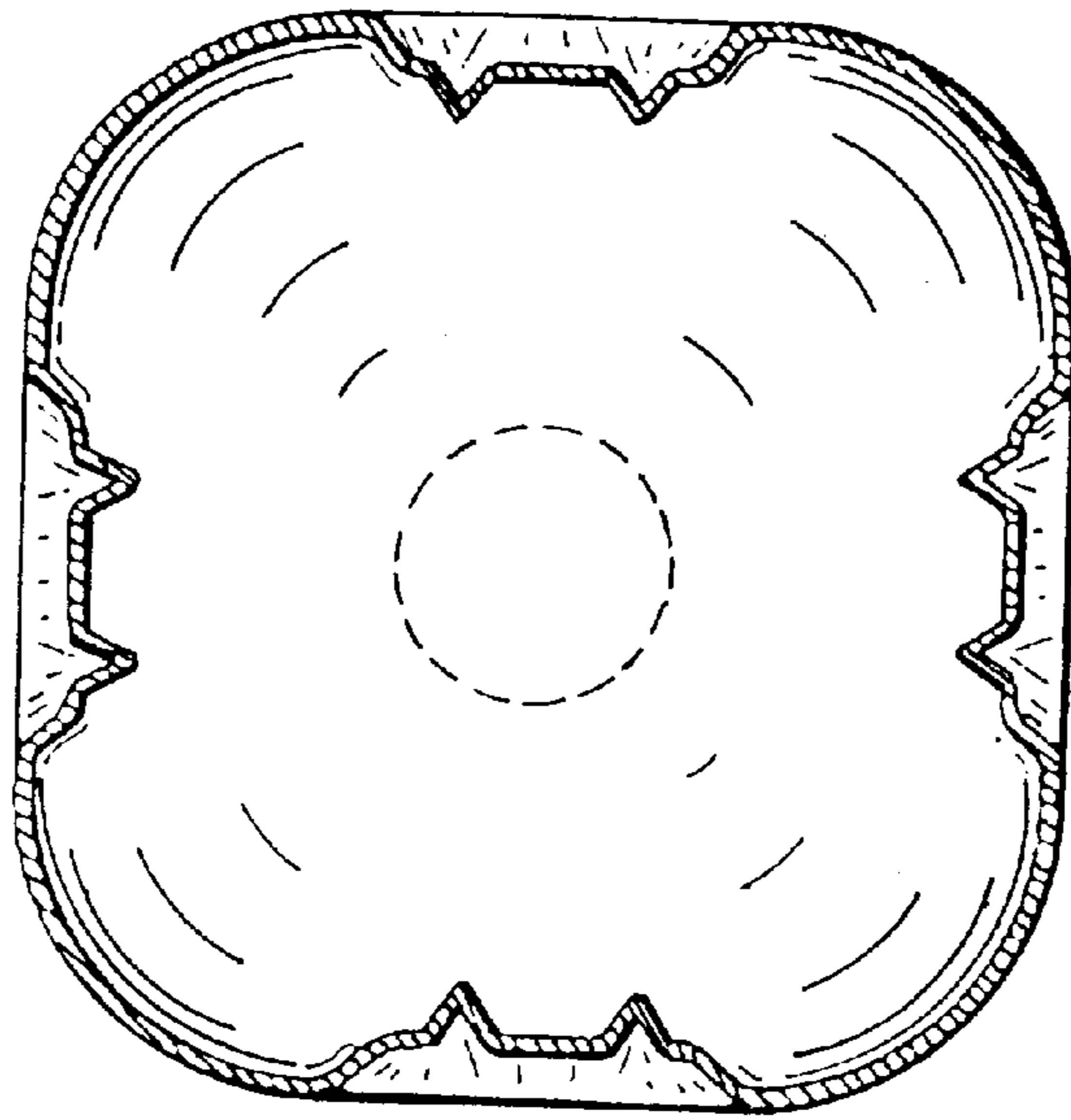


FIG. 7

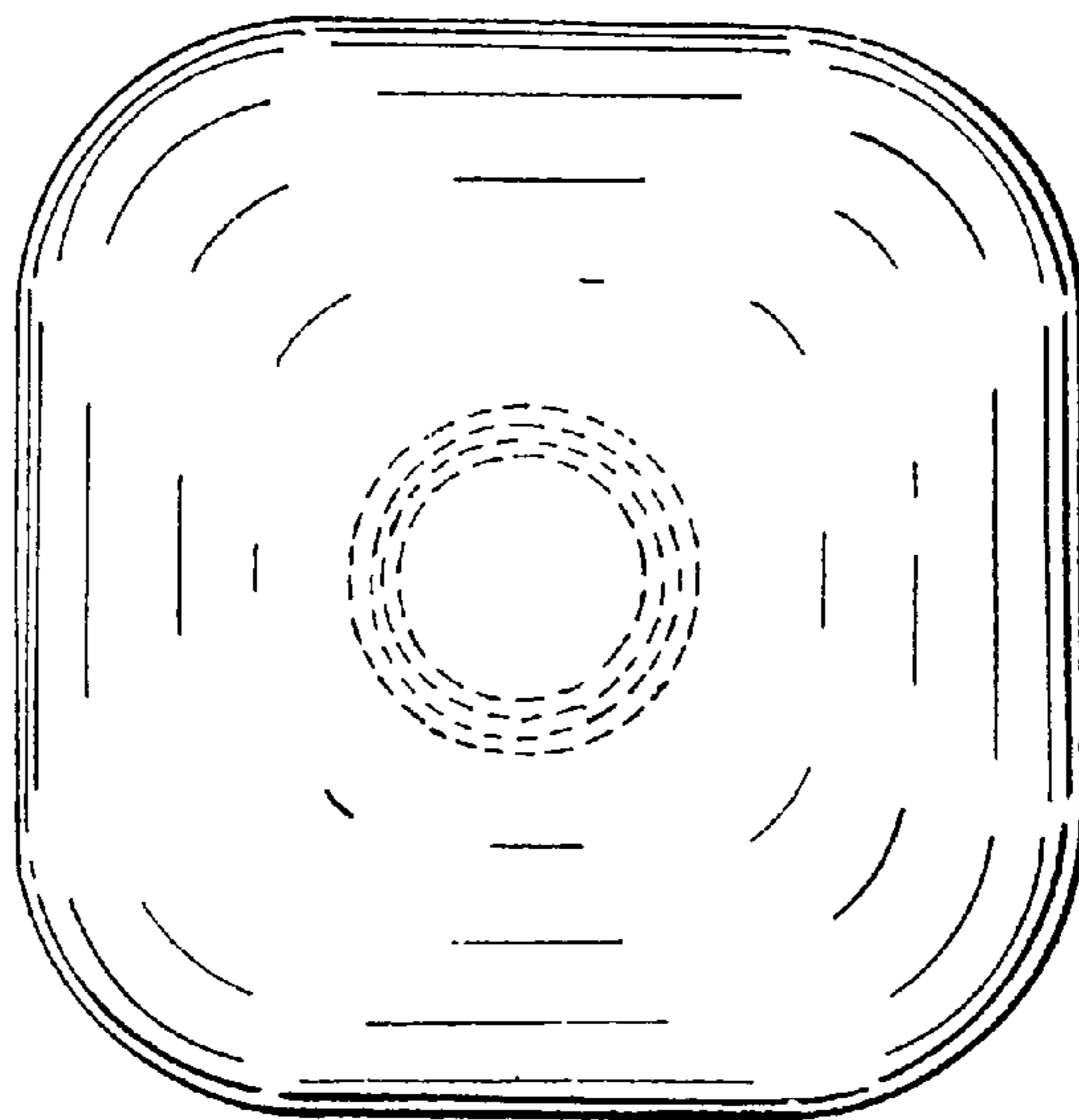


FIG. 8