



US00D423938S

# United States Patent [19]

[11] **Patent Number: Des. 423,938**

**Kudo**

[45] **Date of Patent: \*\* May 2, 2000**

[54] **COMBINED PERFUME BOTTLE AND CAP**

*Primary Examiner*—Lucy Lieberman  
*Attorney, Agent, or Firm*—Kanesaka & Takeuchi

[75] Inventor: **Aoshi Kudo**, Tokyo, Japan

[57] **CLAIM**

[73] Assignee: **Shiseido Co., Ltd.**, Tokyo, Japan

The ornamental design for a combined perfume bottle and cap, as shown and described.

[\*\*] Term: **14 Years**

**DESCRIPTION**

[21] Appl. No.: **29/068,128**

FIG. 1 is a front view of a combined perfume bottle and cap showing my new design;

[22] Filed: **Apr. 15, 1997**

FIG. 2 is a top plan view thereof;

[51] **LOC (7) Cl.** ..... **09-01**

FIG. 3 is a bottom view thereof;

[52] **U.S. Cl.** ..... **D9/529**

FIG. 4 is a right side view thereof;

[58] **Field of Search** ..... D9/529, 521, 544,  
D9/516, 575, 543; 215/382, 383, 384

FIG. 5 is a left side view thereof;

FIG. 6 is a cross sectional view taken along line 6—6 in FIG. 1;

[56] **References Cited**

FIG. 7 is a perspective view thereof;

**U.S. PATENT DOCUMENTS**

FIG. 8 is a perspective view from a front side thereof in a state that a cap is detached and separately shown;

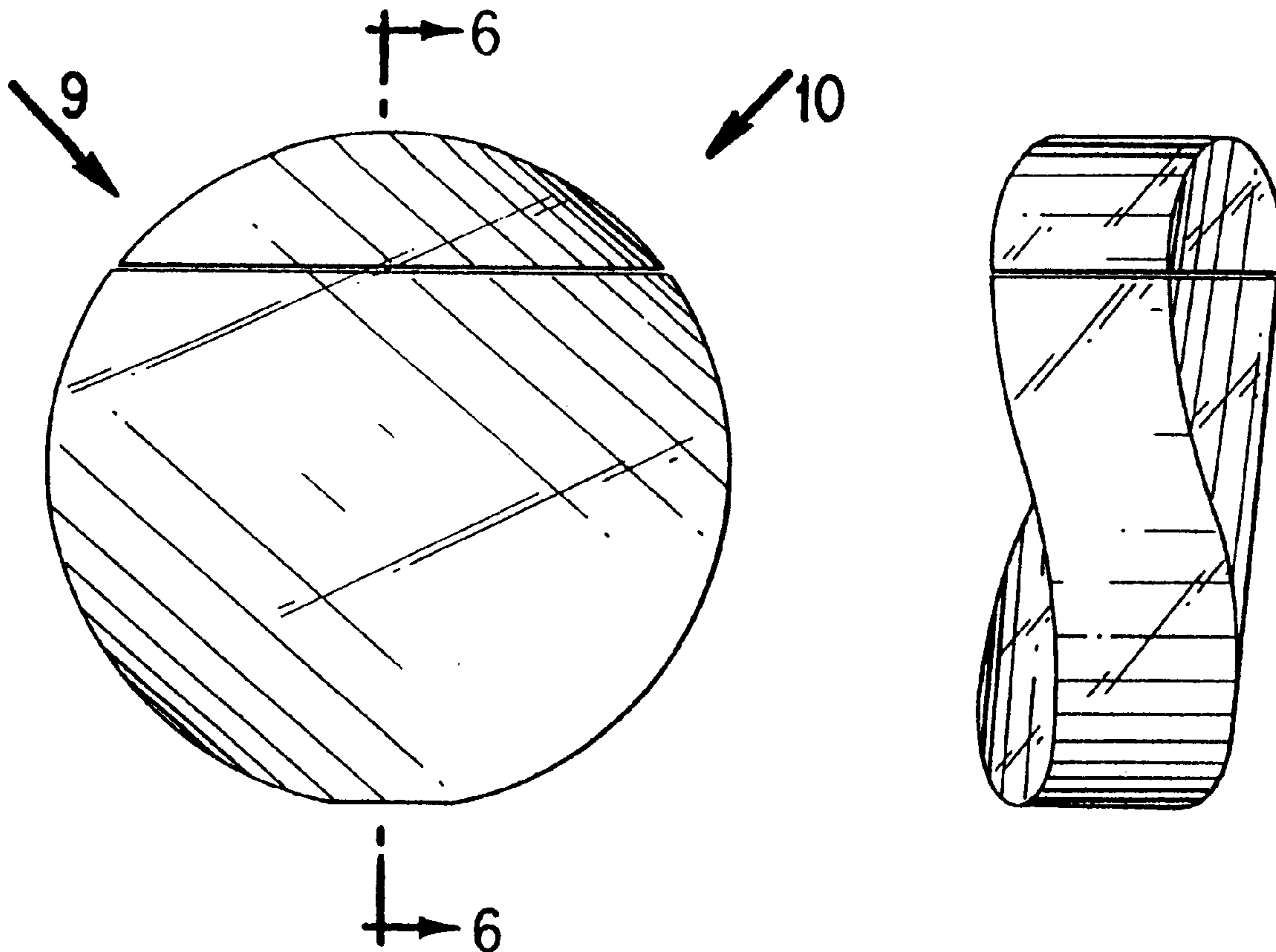
- D. 168,932 3/1953 Frydlender ..... D9/529
- D. 214,019 5/1969 Newman ..... D9/529 X
- D. 216,777 3/1970 Nelson ..... D9/521
- D. 279,077 6/1985 Drummond, Jr. et al. .... D9/521
- D. 284,352 6/1986 Thompson ..... D9/544 X
- D. 339,746 9/1993 Bunce et al. .... D9/529 X
- D. 343,792 2/1994 Bunce et al. .... D9/529 X
- D. 372,870 8/1996 Westerhout ..... D9/575 X

FIG. 9 is a plan view thereof shown from the direction of an arrow 9 in FIG. 1;

FIG. 10 is a plan view thereof shown from the direction of an arrow 10 in FIG. 1; and,

FIG. 11 is a perspective view from a rear side thereof.

**1 Claim, 3 Drawing Sheets**



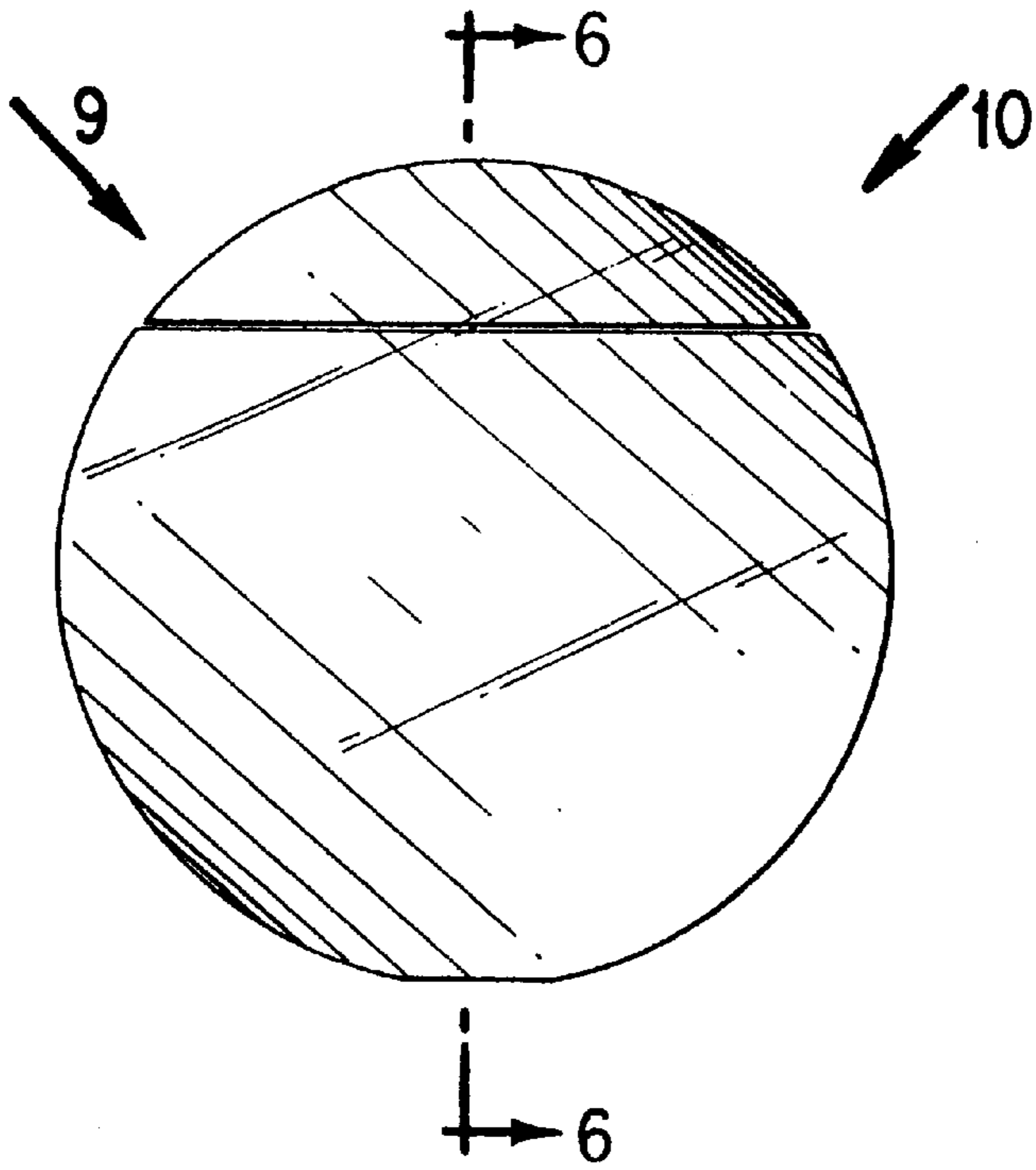


FIG. 1

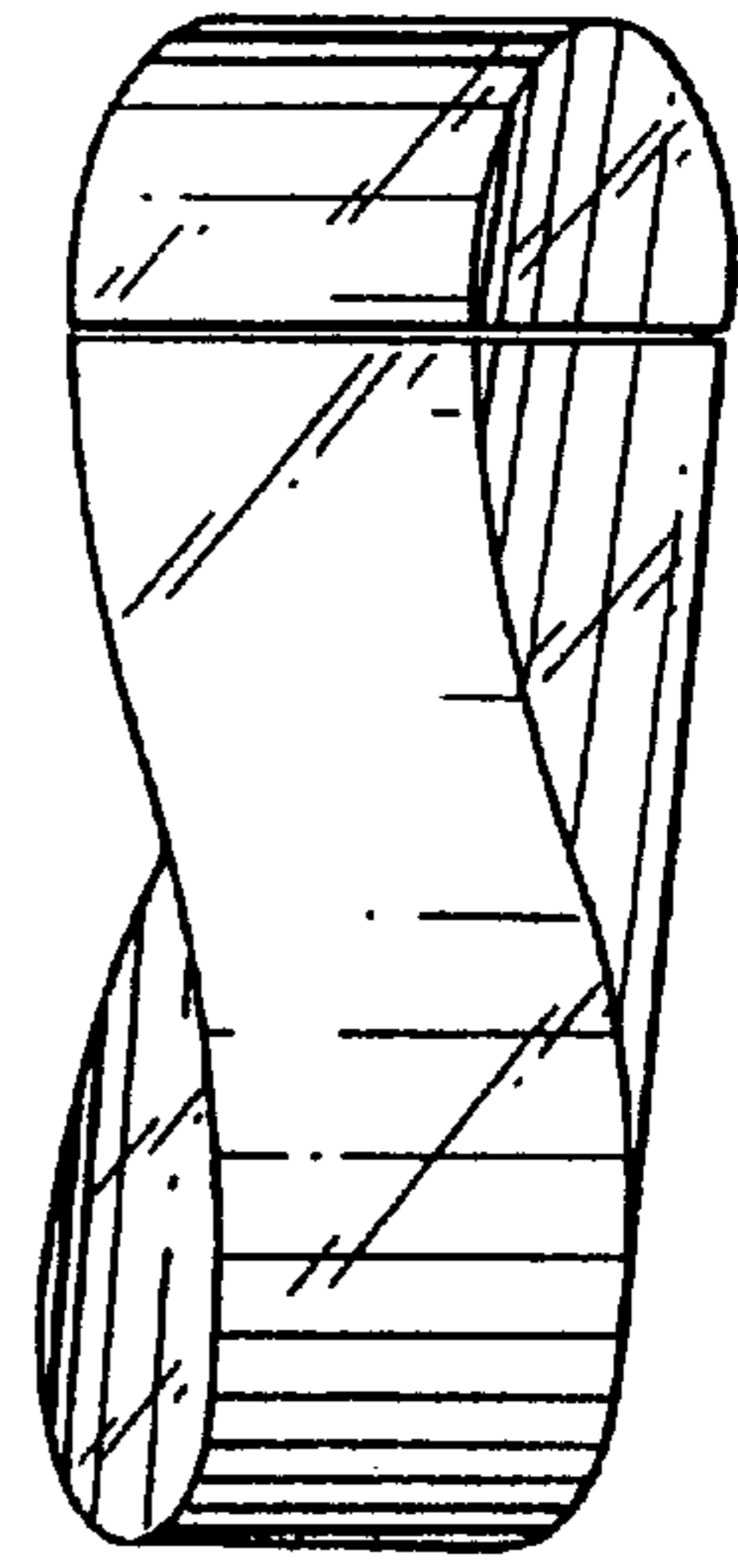


FIG. 4

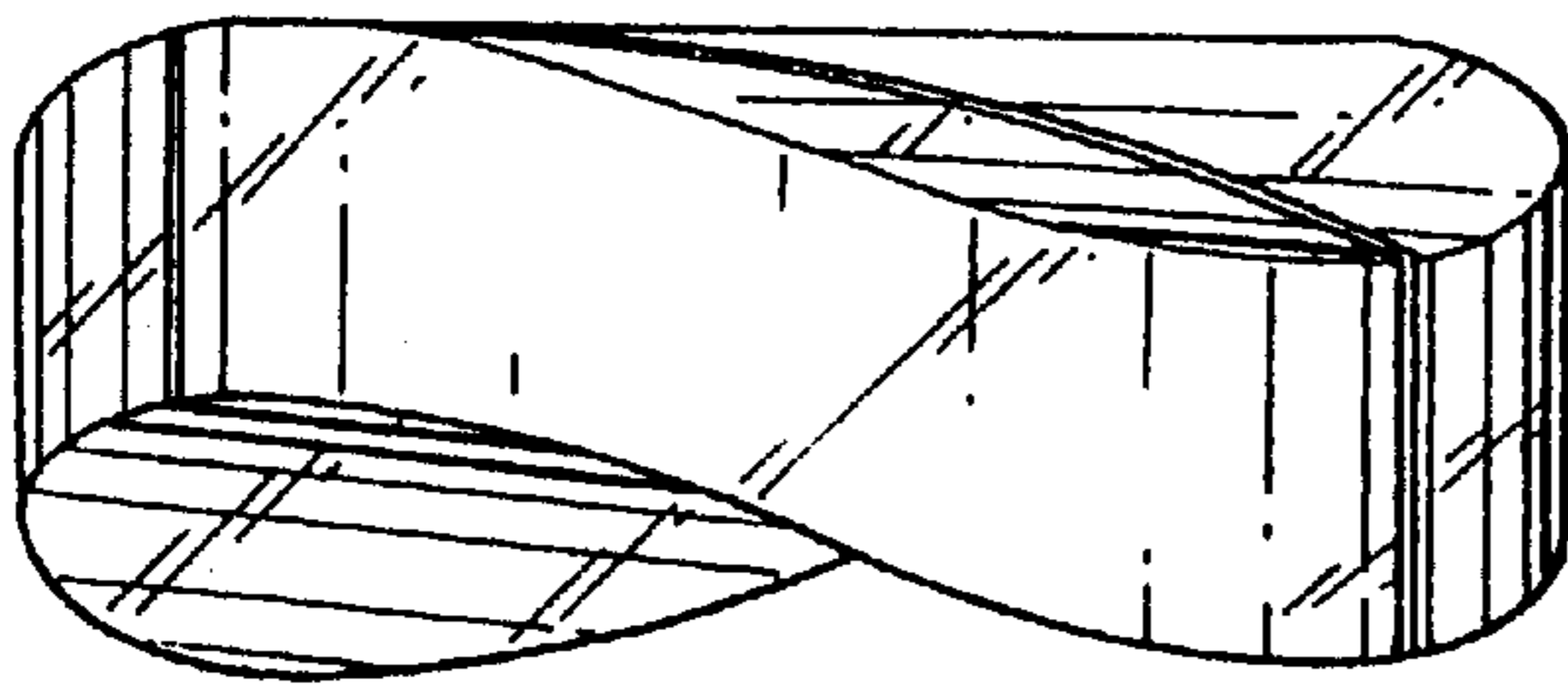


FIG. 2

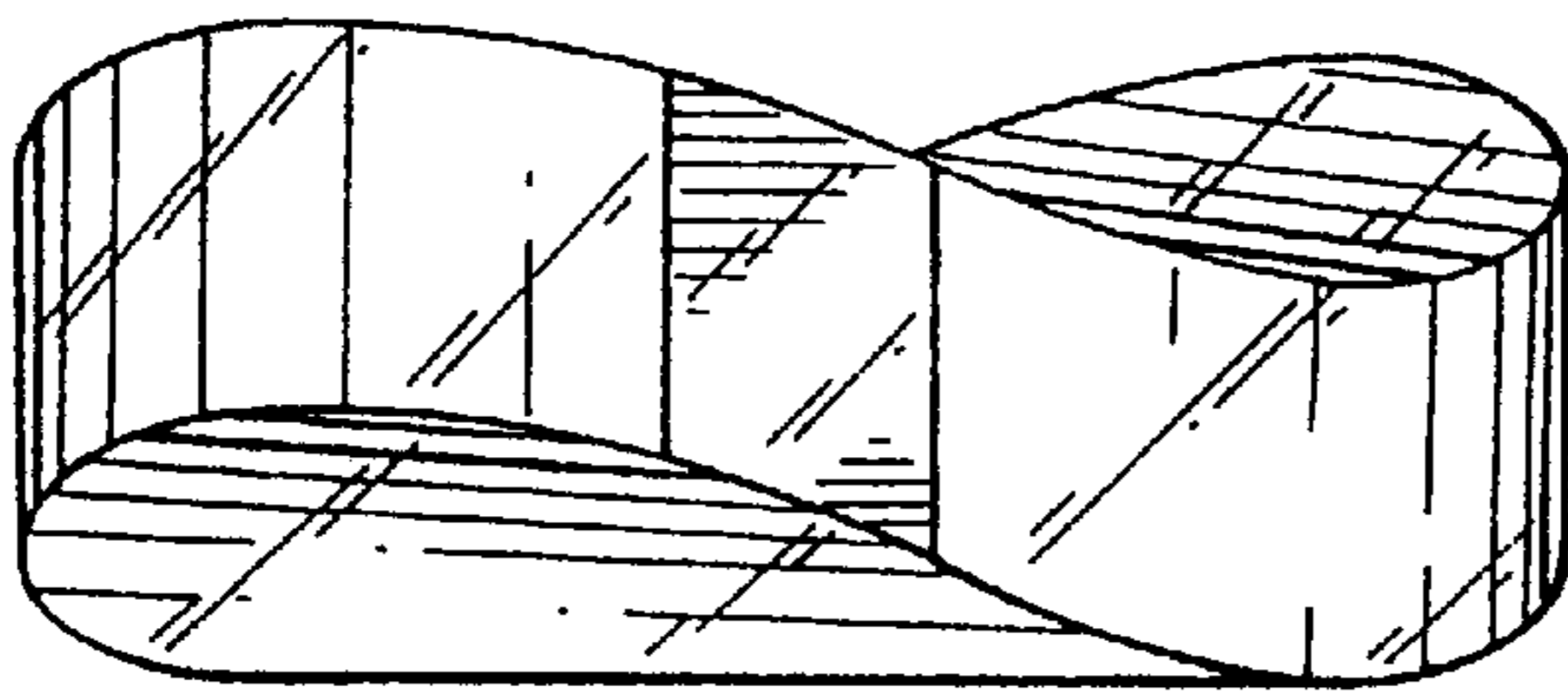


FIG. 3

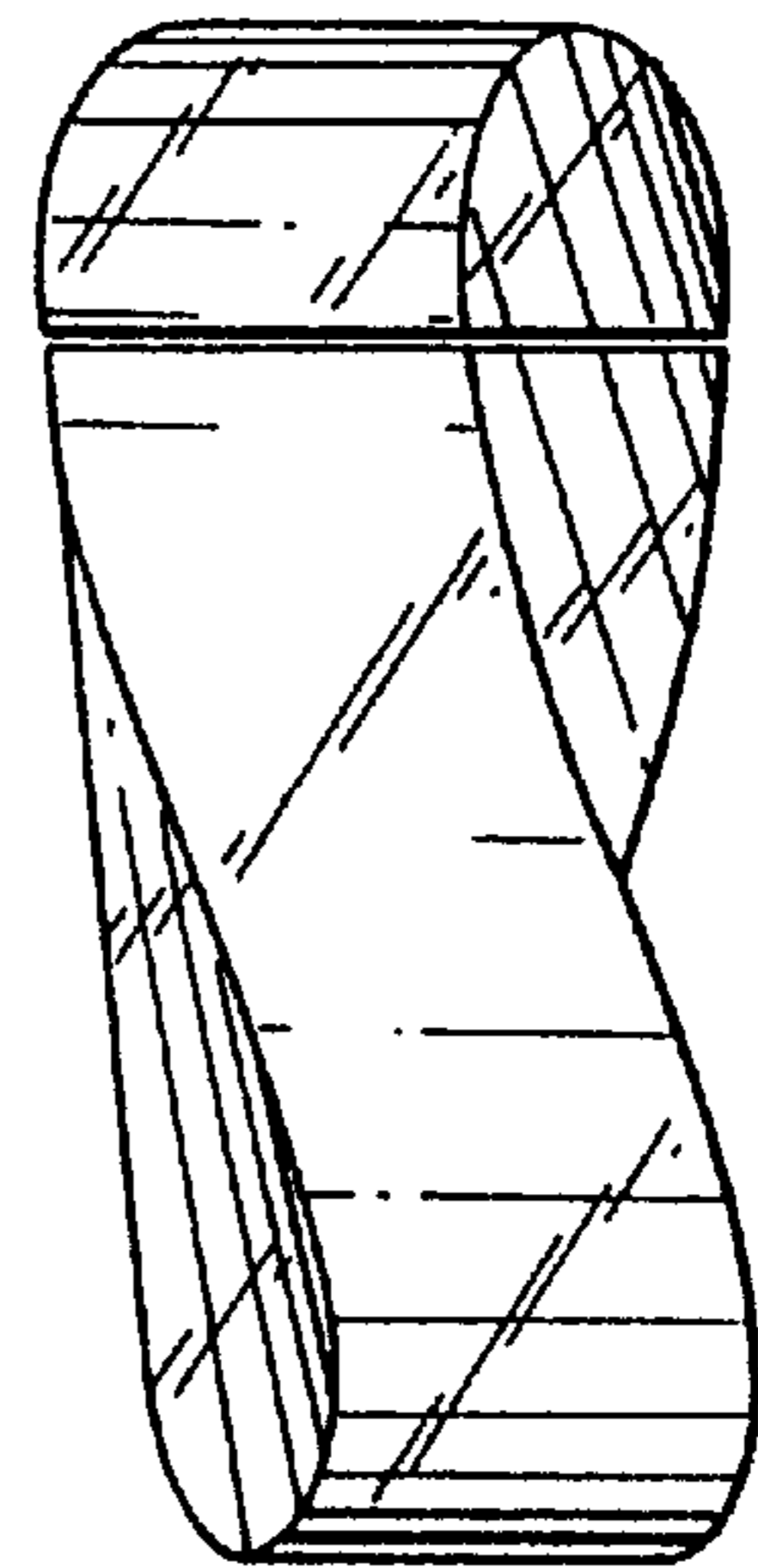


FIG. 5

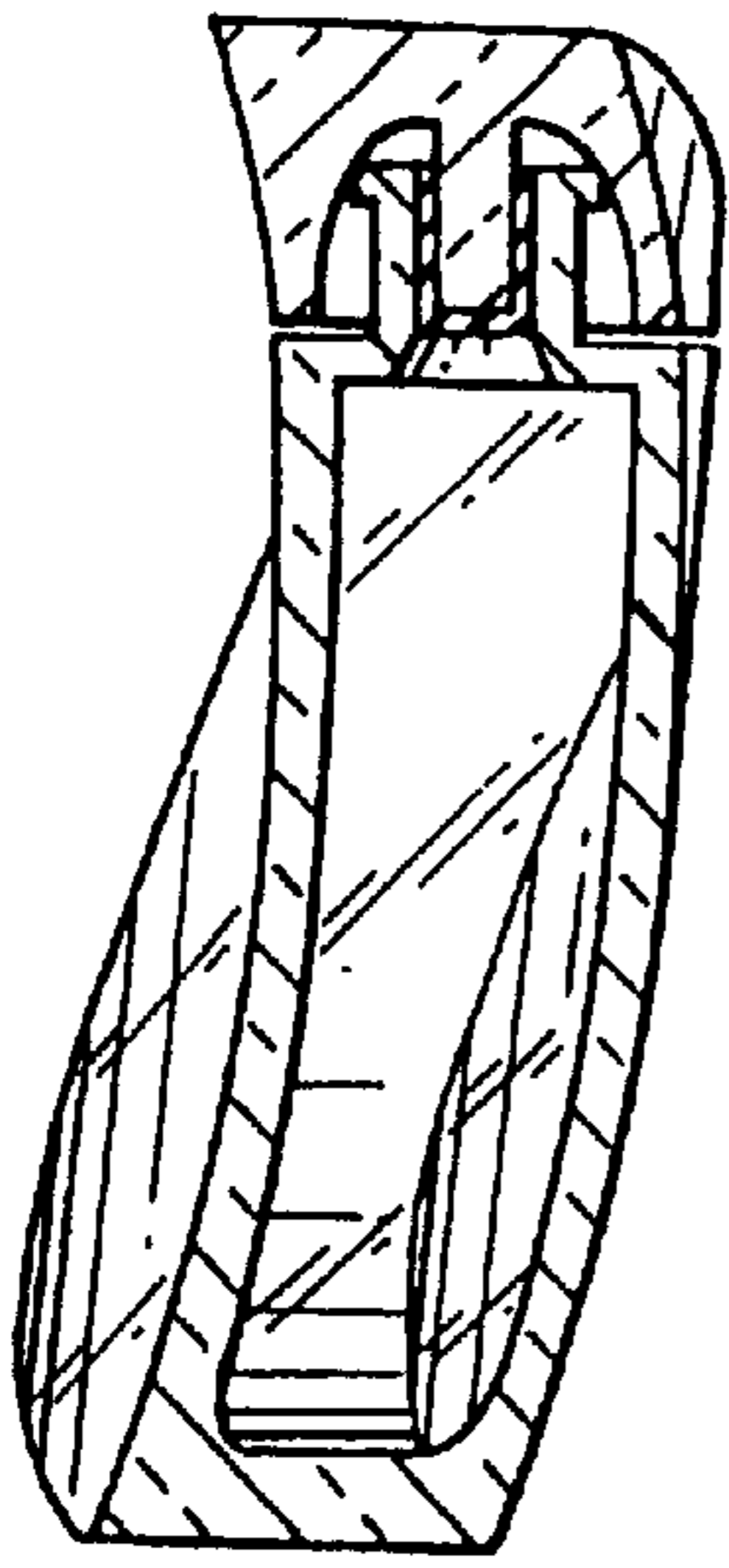


FIG. 6

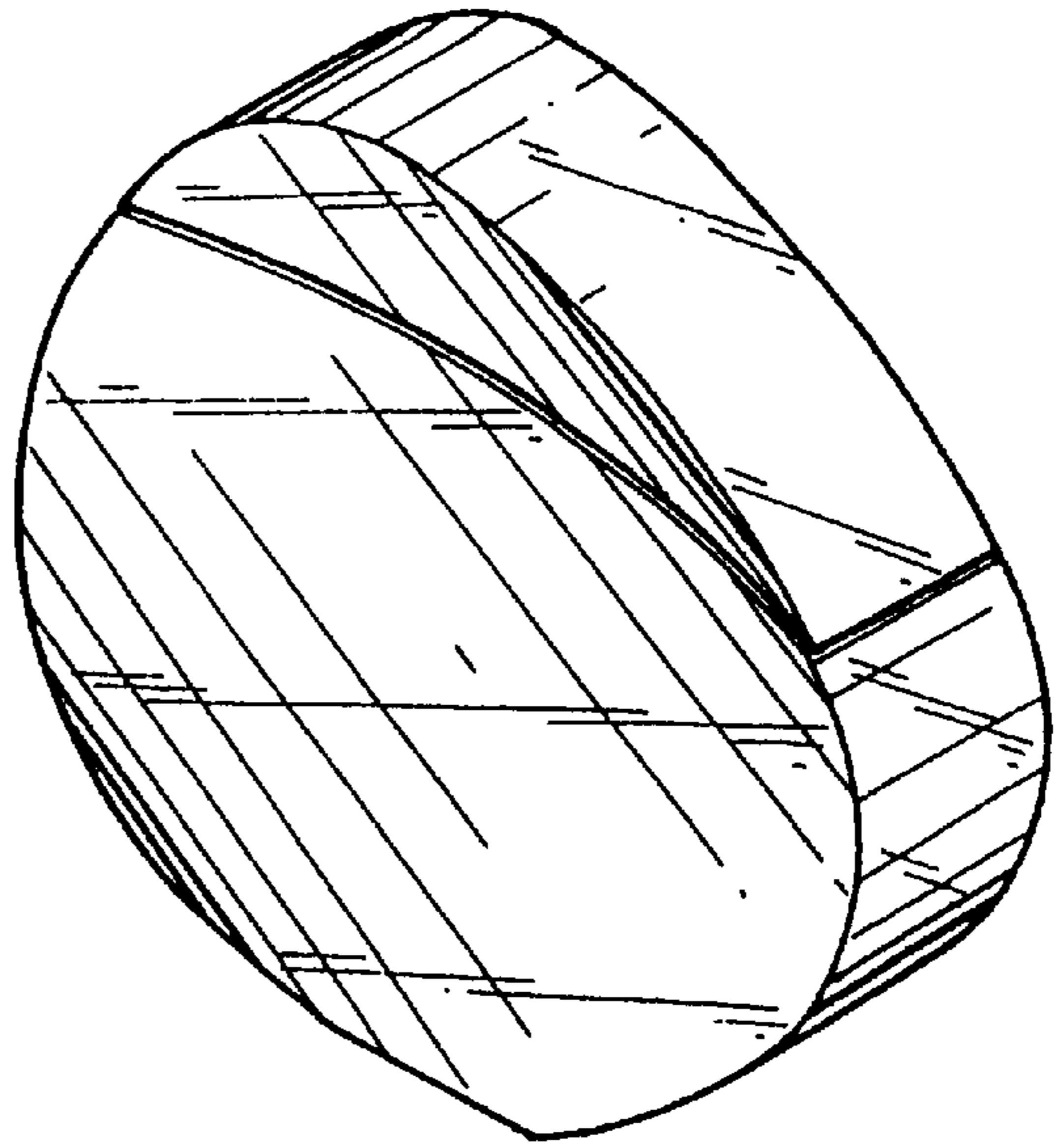


FIG. 7

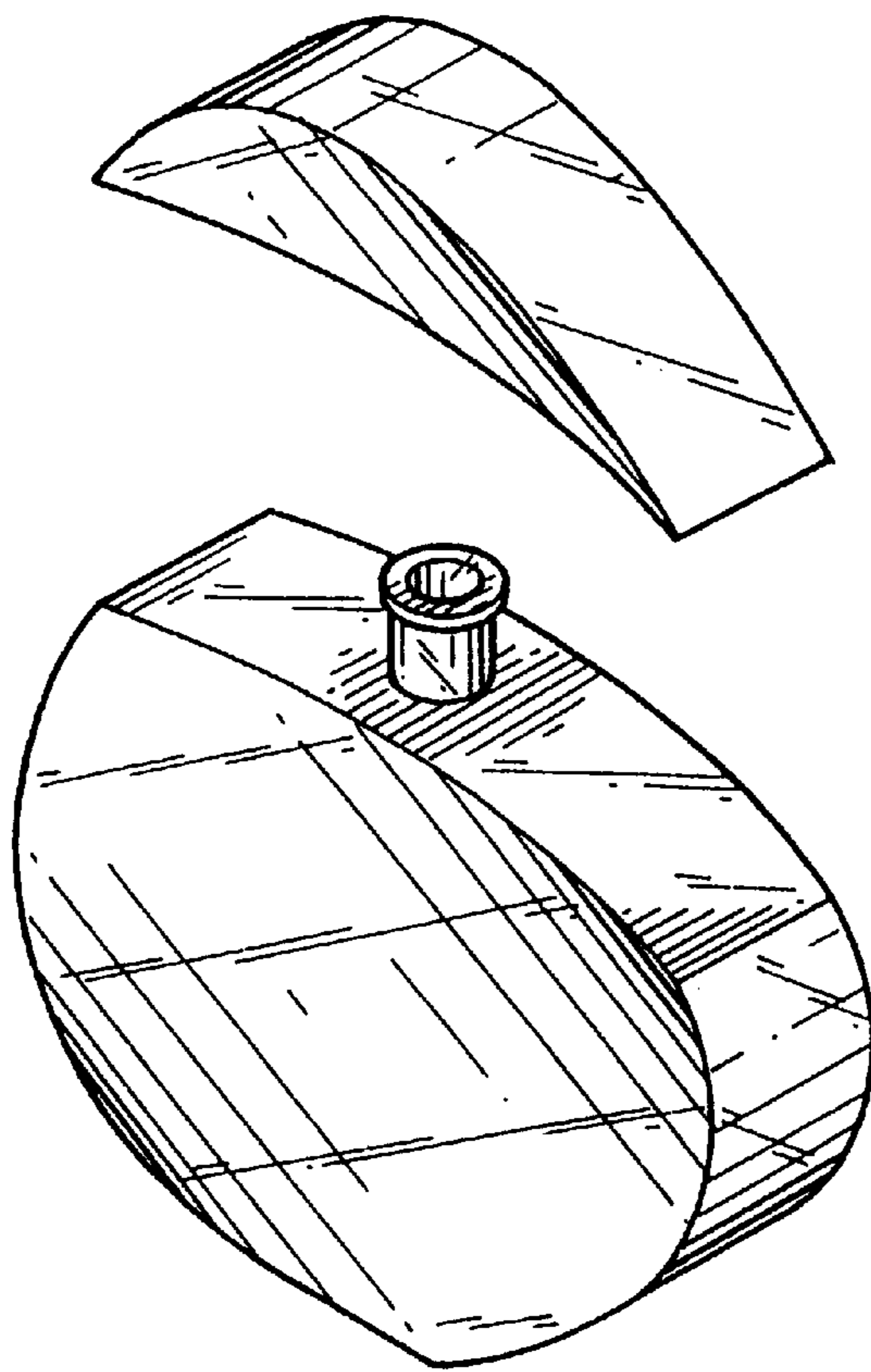
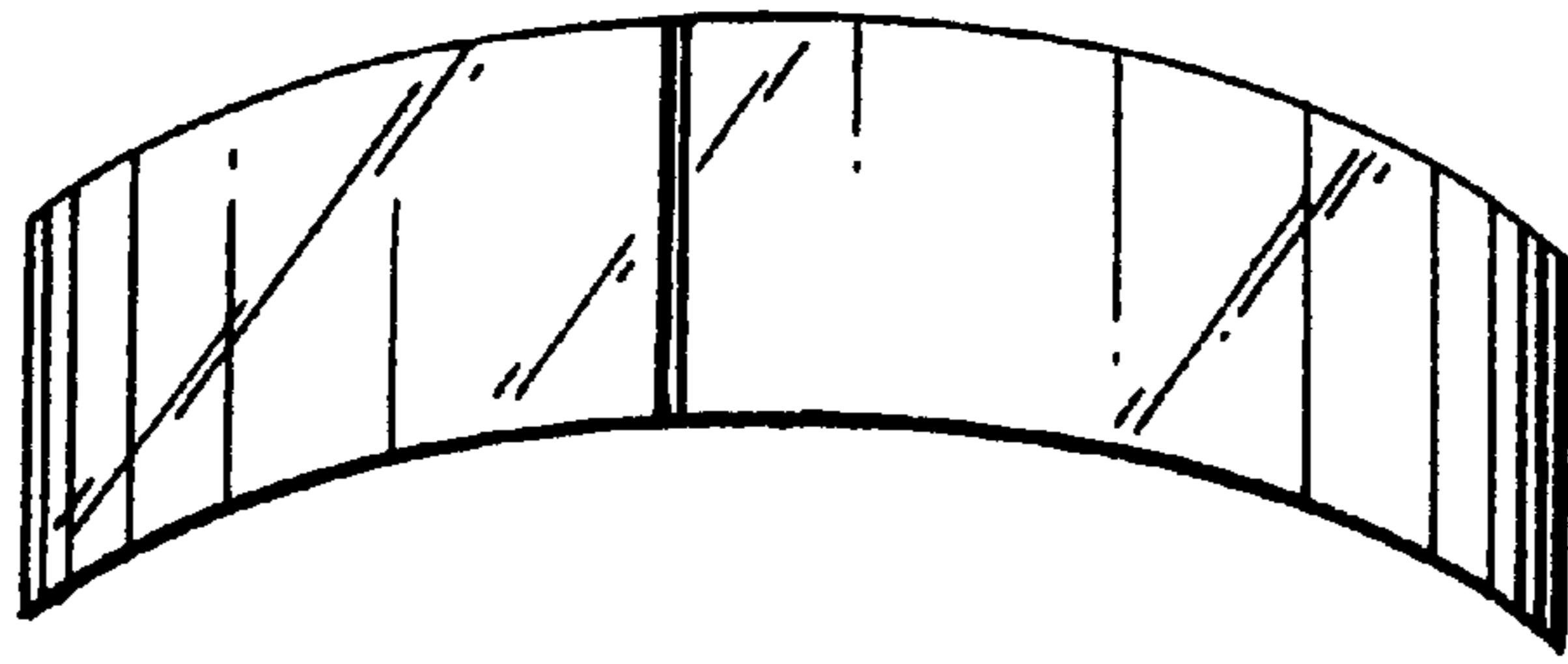
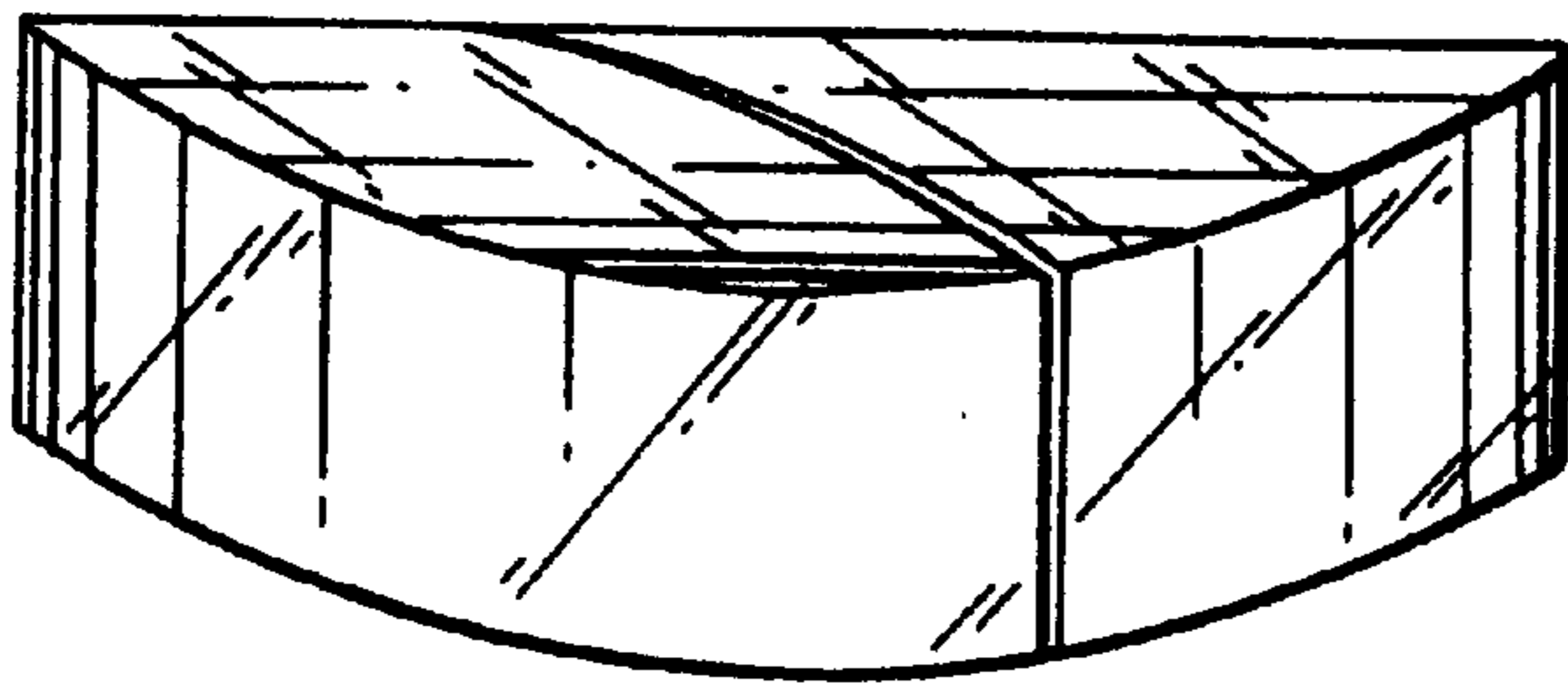


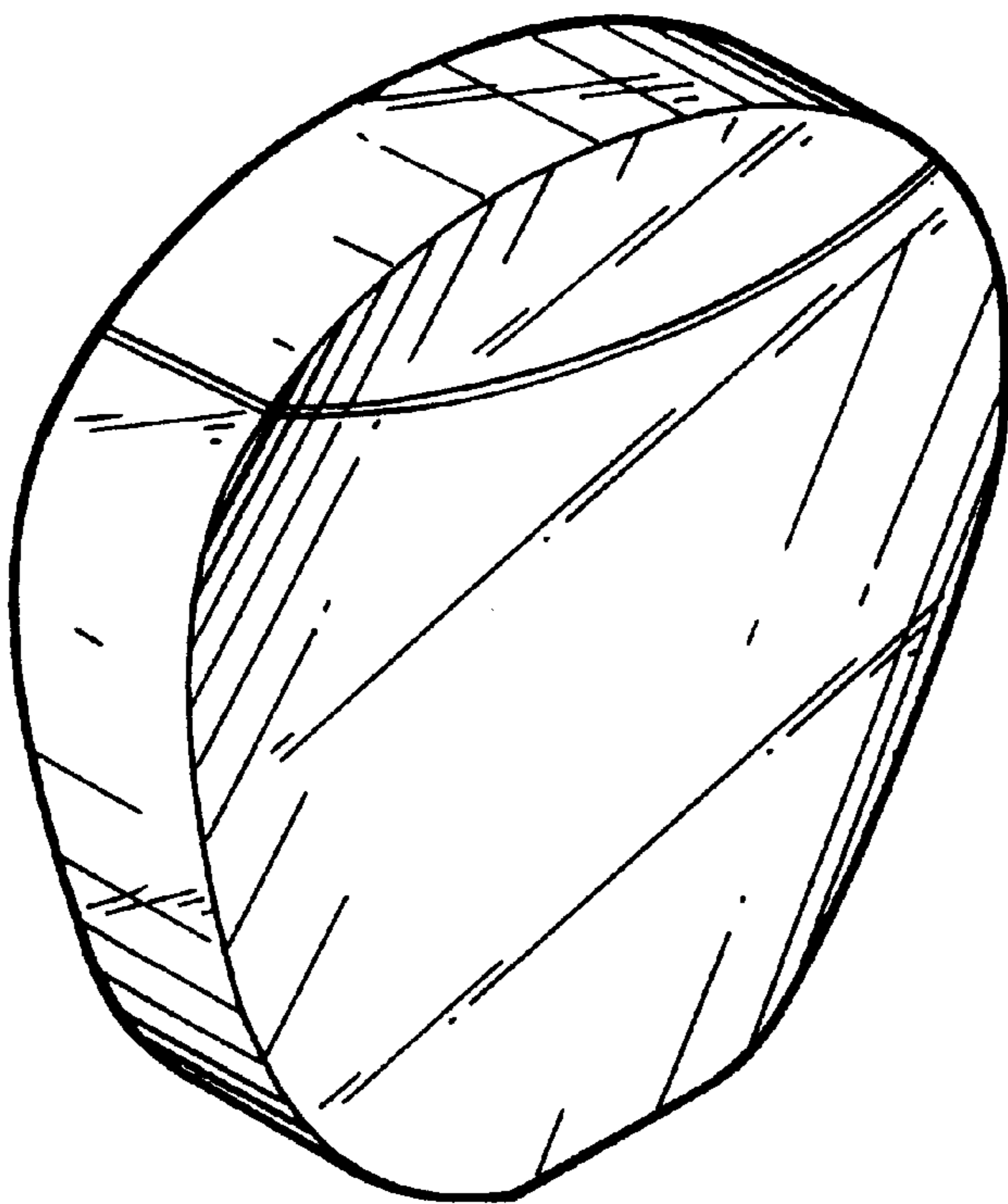
FIG. 8



**FIG. 9**



**FIG. 10**



**FIG. 11**