



US00D423931S

United States Patent [19]

[11] Patent Number: Des. 423,931

Davis

[45] Date of Patent: ** May 2, 2000

[54] COMBINATION SIDE-BY-SIDE PACKAGE OF COMPRESSED FABRIC ARTICLE AND COMPANION ARTICLE

[76] Inventor: Alan Davis, 6160 Lusk Blvd., Suite C-101, San Diego, Calif. 92121

[**] Term: 14 Years

[21] Appl. No.: 29/092,752

[22] Filed: Aug. 26, 1998

[51] LOC (7) Cl. 09-03

[52] U.S. Cl. D9/432

[58] Field of Search D9/337, 341, 346, D9/414, 430, 432; D6/397, 632, 635; 206/278, 387.1, 308.1

[56] References Cited

U.S. PATENT DOCUMENTS

D. 324,337	3/1992	Brady	D9/337
D. 344,018	2/1994	Kelsey et al.	D9/346
D. 378,333	3/1997	Anderson	D6/632
D. 411,799	7/1999	Davis	D9/432
1,641,709	9/1927	Tam	206/278
3,362,529	1/1968	Gant et al.	206/278
5,484,054	1/1996	Kryszewski	206/232
5,718,331	2/1998	Smith	206/292
5,772,018	6/1998	Walch	206/308.1

Primary Examiner—Ted Shooman
Assistant Examiner—Carol Rademaker
Attorney, Agent, or Firm—Brown Martin Haller & McClain, LLP

[57] CLAIM

The ornamental design for a combination side-by-side package of compressed fabric article and companion article, as shown and described.

DESCRIPTION

FIG. 1 is a perspective view of a combination side-by-side package of compressed fabric article and companion article of the present invention, showing the top, front and one end of my new design, as embodied with two compact disk containers as the companion article;

FIG. 2 is a rear side elevation view thereof;

FIG. 3 is a bottom plan view of the view of FIG. 2;

FIG. 4 is an elevation view of the other end thereof;

FIG. 5 is a perspective view of an alternative package, showing the top, front and one end of my new design, with a single compact disk and container as the companion article;

FIG. 6 is a rear side elevation view of the package of FIG. 5;

FIG. 7 is a bottom plan view of the view of FIG. 6;

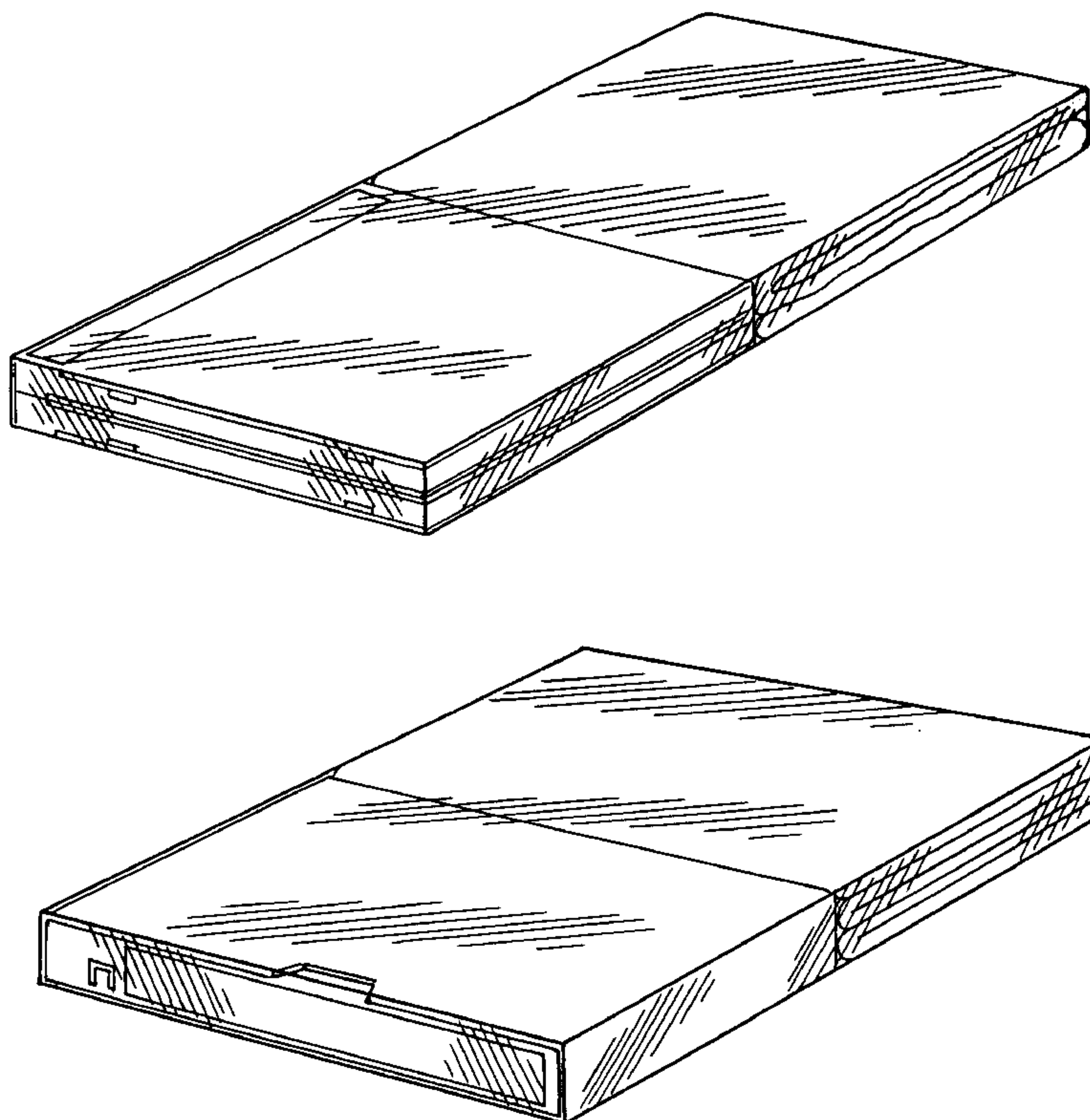
FIG. 8 is an elevation view of the other end thereof;

FIG. 9 is a perspective view of another alternative package, showing the top, front and one end of my new design, with a single video tape and container as the companion article;

FIG. 10 is a rear side elevation view of the package of FIG. 9;

FIG. 11 is a bottom plan view of the view of FIG. 10; and, FIG. 12 is an elevation view of the other end thereof.

1 Claim, 3 Drawing Sheets



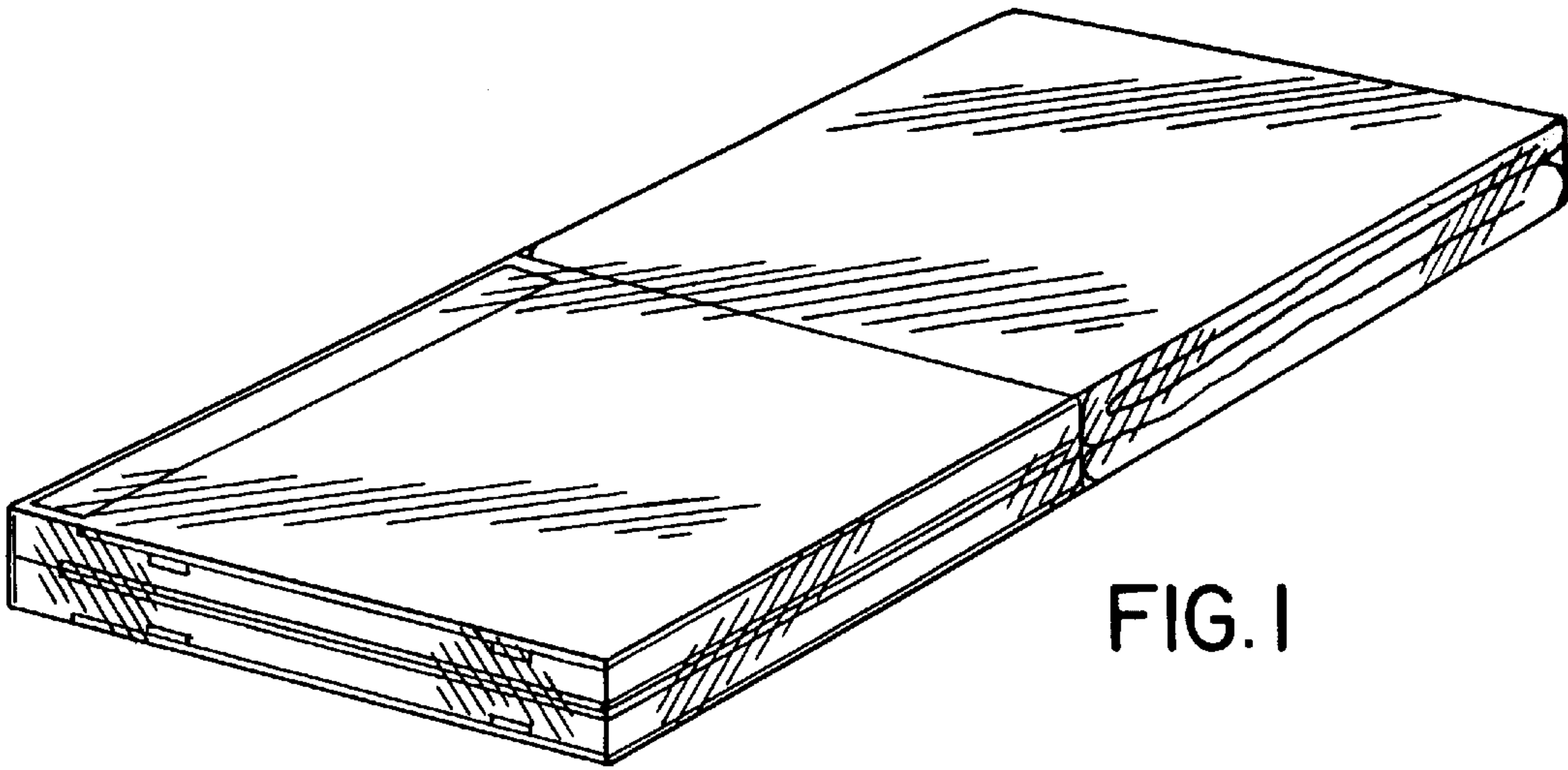


FIG. 1



FIG. 2

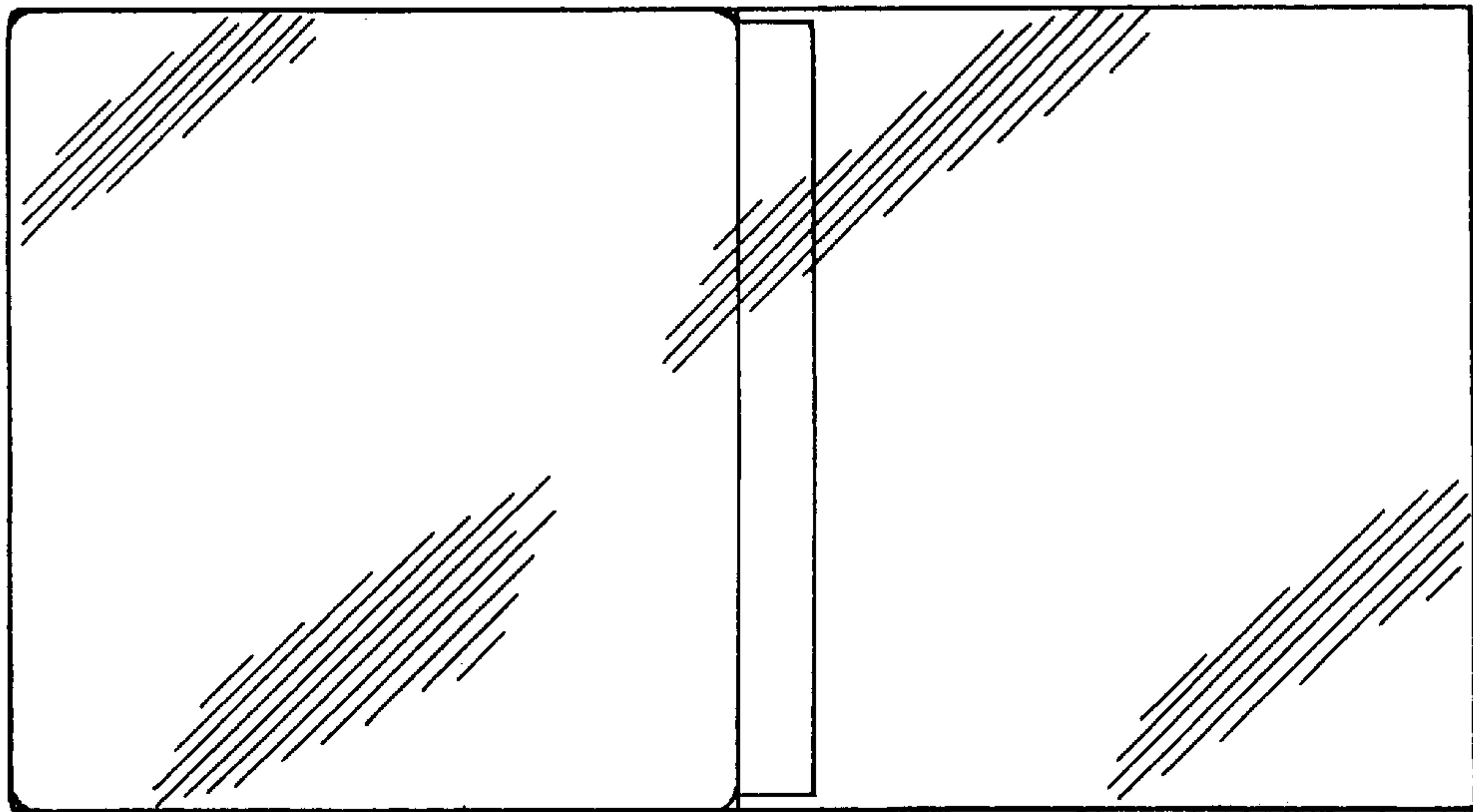


FIG. 3

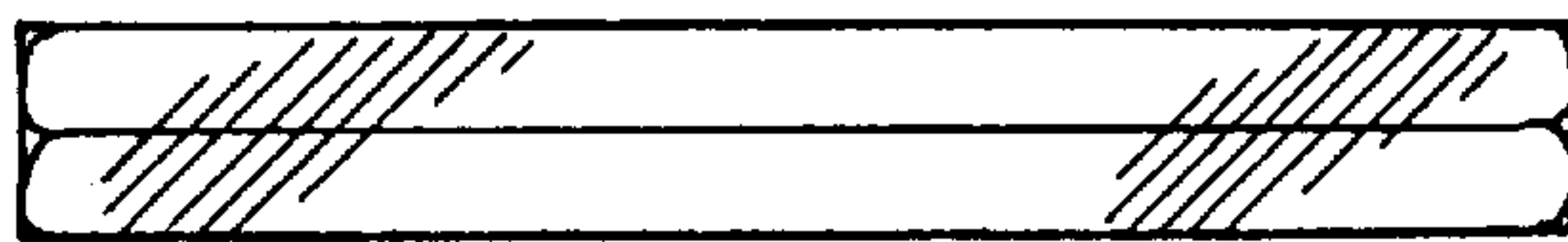


FIG. 4

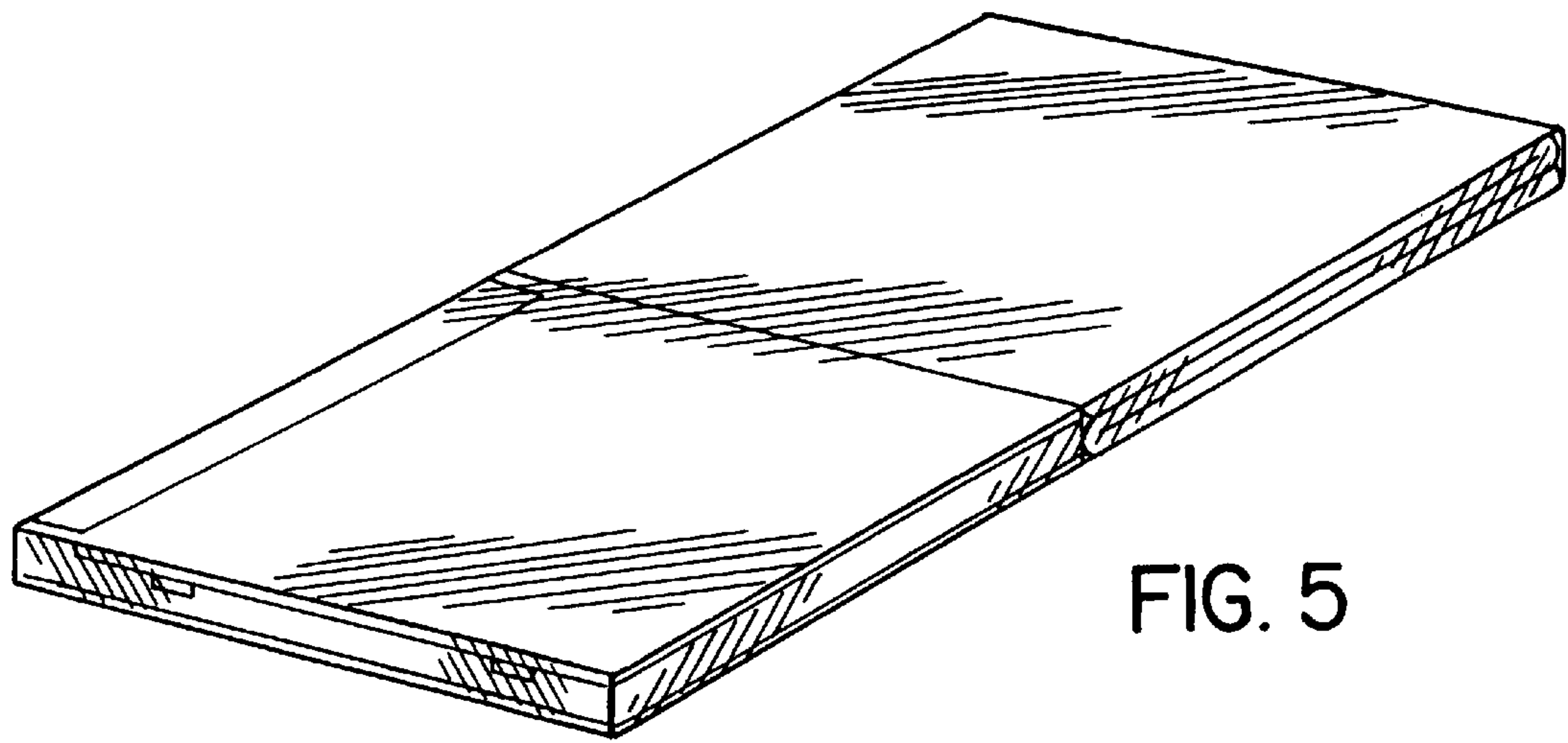


FIG. 5



FIG. 6

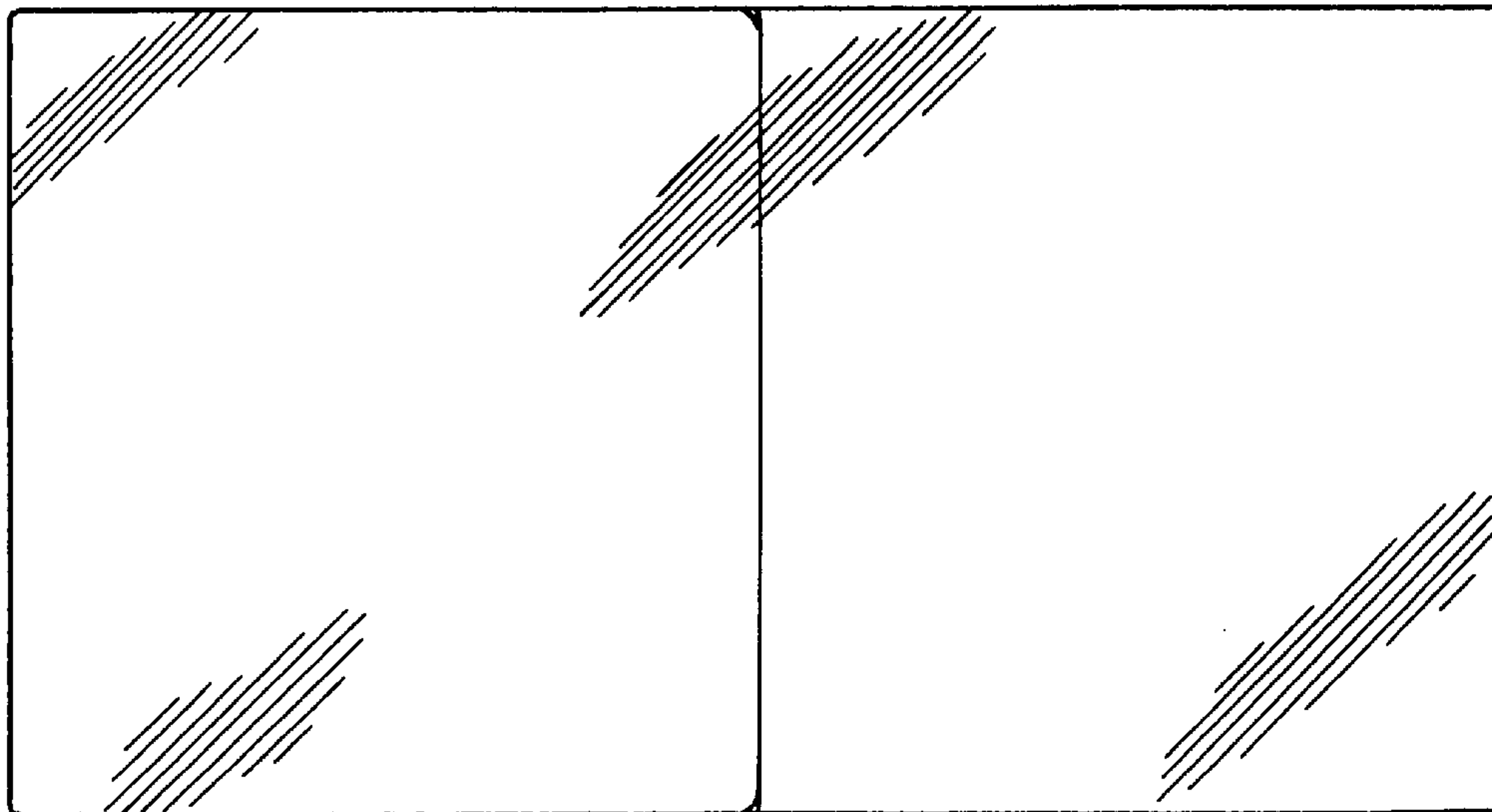


FIG. 7



FIG. 8

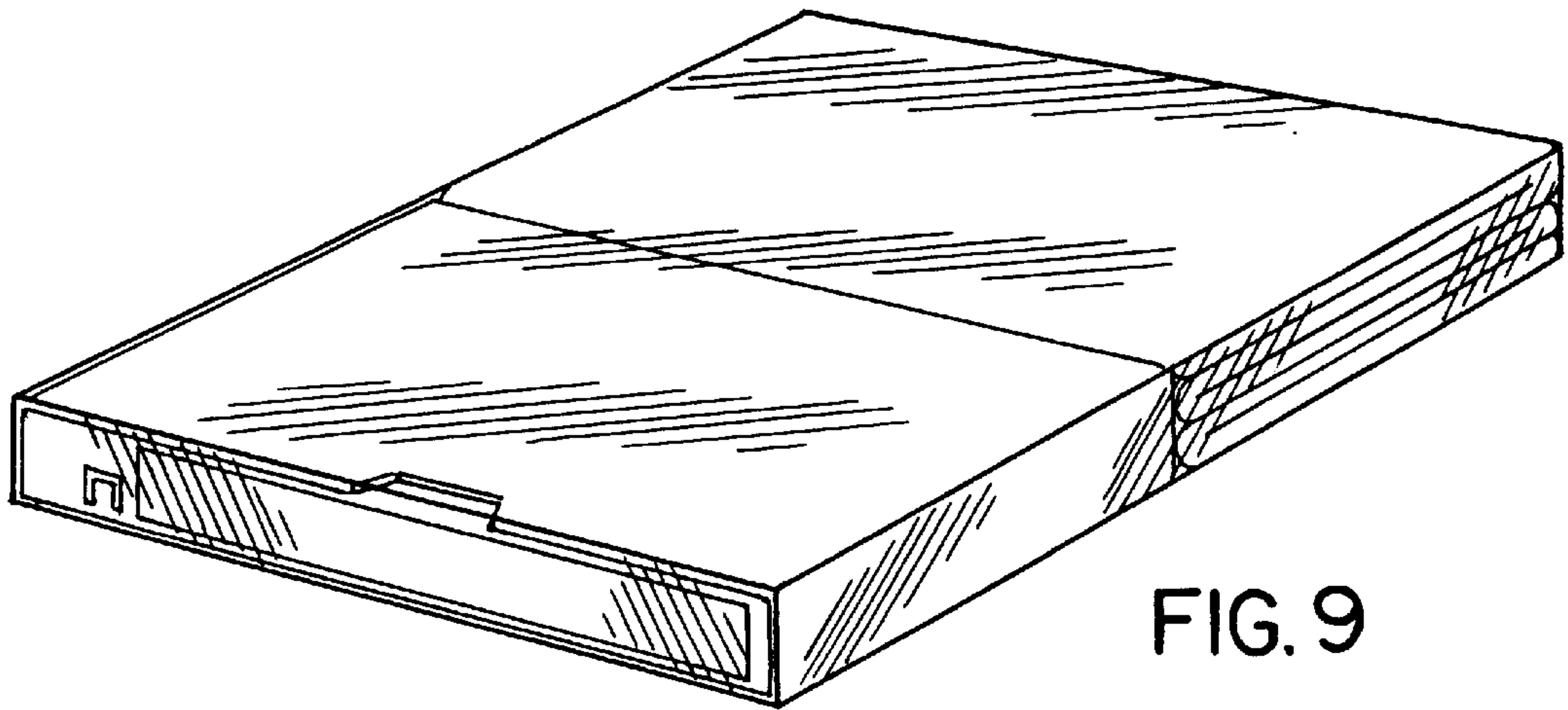


FIG. 9

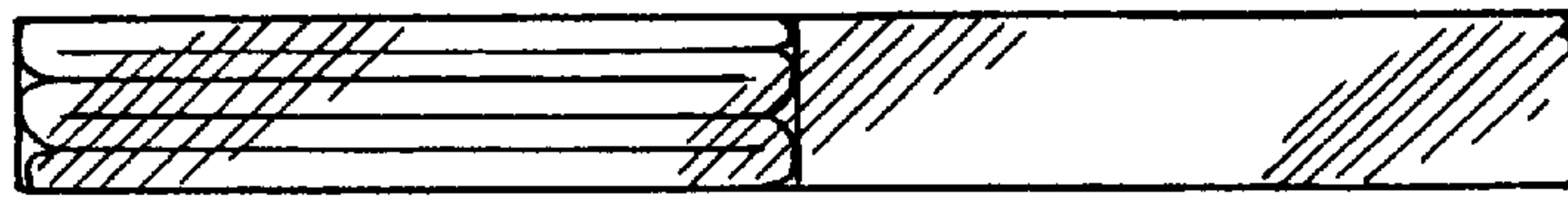


FIG. 10

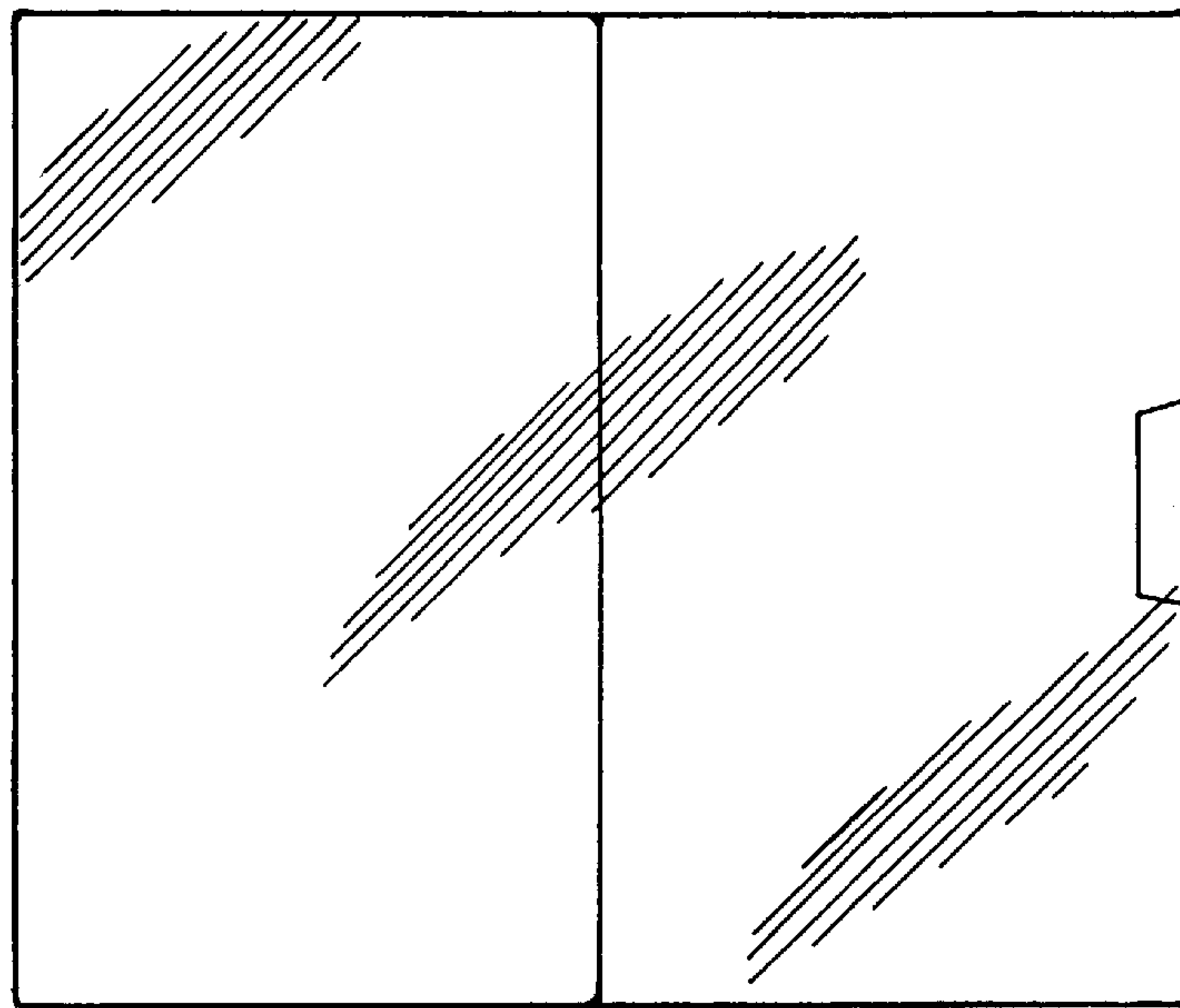


FIG. 11



FIG. 12