



US00D423921S

# United States Patent [19] Richter

[11] **Patent Number: Des. 423,921**

[45] **Date of Patent: \*\* May 2, 2000**

[54] **MOUNTING CLAMP**

5,634,619 6/1997 Alessi ..... 248/230.1  
5,738,312 4/1998 Koch ..... 248/68.1

[76] Inventor: **Herbert Richter**, Drosselweg 8, 75331  
Engelbrand, Germany

*Primary Examiner*—B. J. Bullock  
*Attorney, Agent, or Firm*—Klaus J. Bach

[\*\*] Term: **14 Years**

[57] **CLAIM**

[21] Appl. No.: **29/098,680**

The ornamental design for a mounting clamp, as shown and described.

[22] Filed: **Jan. 4, 1999**

[51] **LOC (7) Cl.** ..... **08-08**

[52] **U.S. Cl.** ..... **D8/396**

[58] **Field of Search** ..... D8/382, 396, 71;  
D14/253; 224/929; 379/454, 455; 248/214,  
219.3, 230.5, 230.1, 301.9, 68.1, 230.61

### DESCRIPTION

### [56] **References Cited**

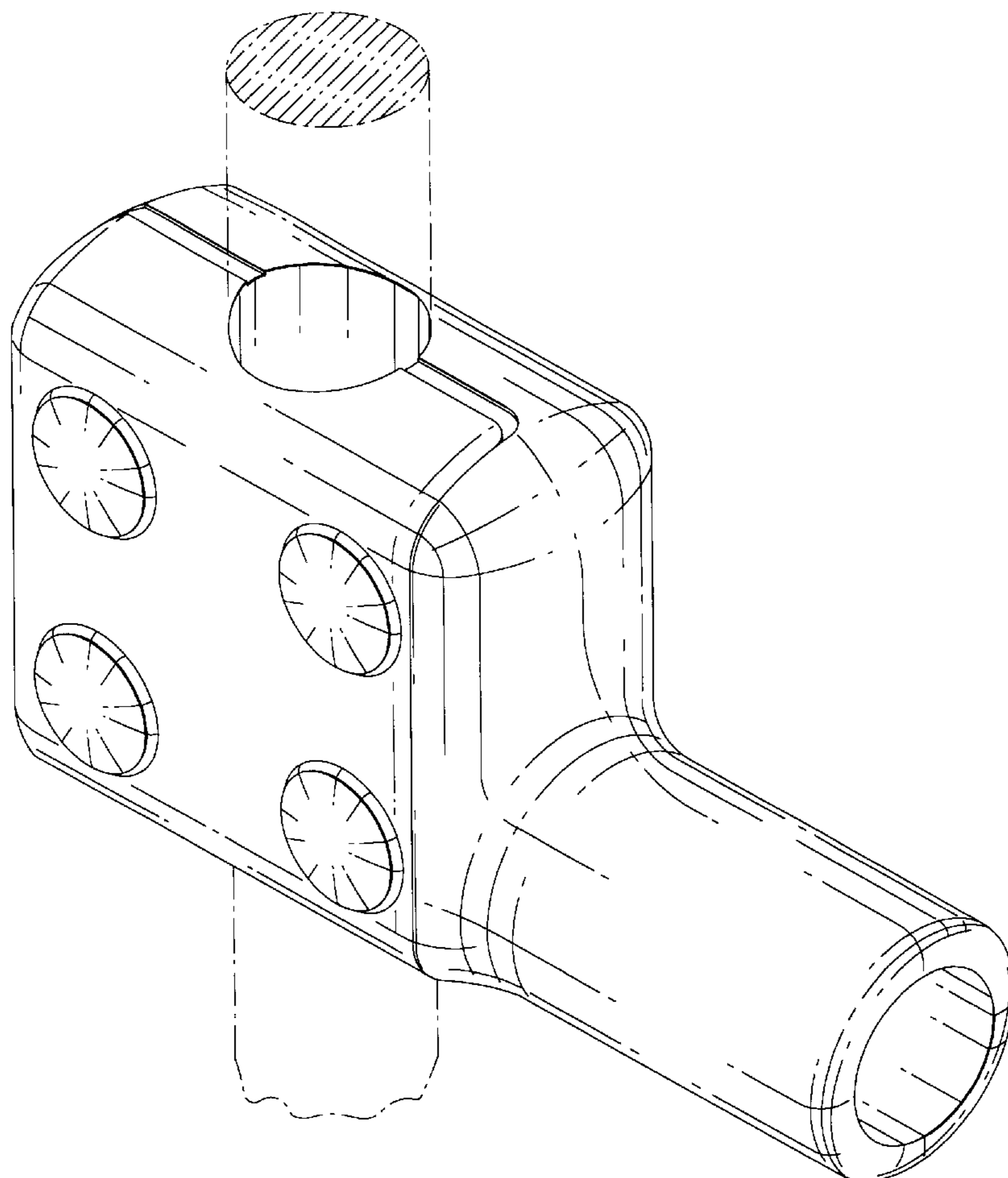
#### U.S. PATENT DOCUMENTS

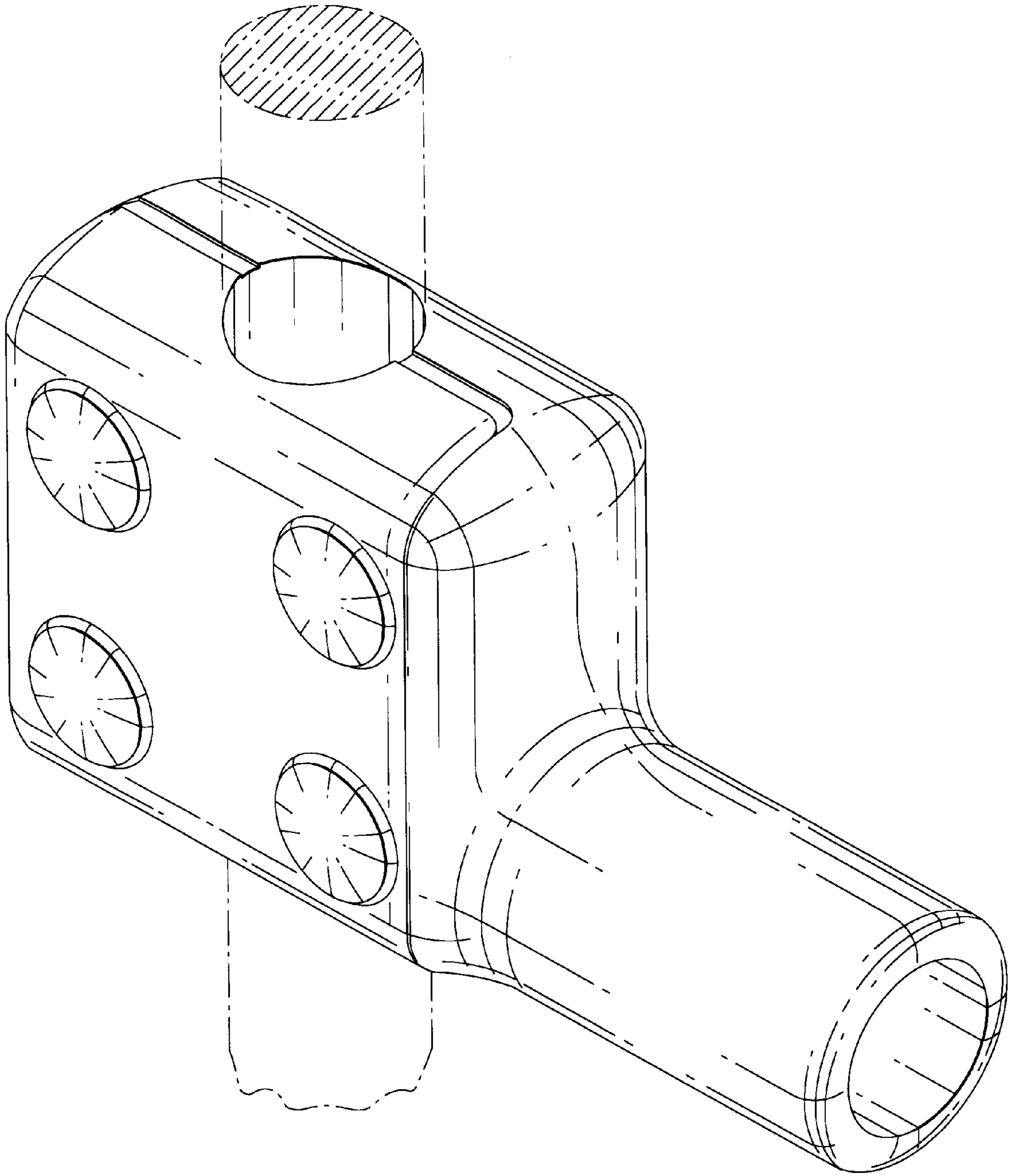
D. 337,172	7/1993	Maglica et al. ....	D8/395
D. 411,207	6/1999	Richter .....	D14/253
D. 411,544	6/1999	Richter .....	D14/253
1,352,810	9/1920	Hunt .	
1,430,135	9/1922	Williams .	
1,451,881	4/1923	McMullen .	
3,269,683	8/1966	Shinaver .	
5,064,157	11/1991	O'Neal .	
5,277,391	1/1994	Haug et al. ....	248/219.3

FIG. 1 is a perspective view of the mounting clamp;  
FIG. 2 is a right side view of the mounting clamp shown in FIG. 1;  
FIG. 3 is a top end view of the mounting clamp shown in FIG. 1;  
FIG. 4 is a side view of the mounting clamp showing the side opposite that shown in FIG. 2;  
FIG. 5 is a bottom view of mounting clamp shown in FIG. 1;  
FIG. 6 is a left end view of the mounting clamp shown in FIG. 1; and,  
FIG. 7 is a right end view of the mounting clamp shown in FIG. 4.

The broken line showing is for illustrative purposes only and forms no part of the claimed design.

**1 Claim, 4 Drawing Sheets**





*FIG. 1*

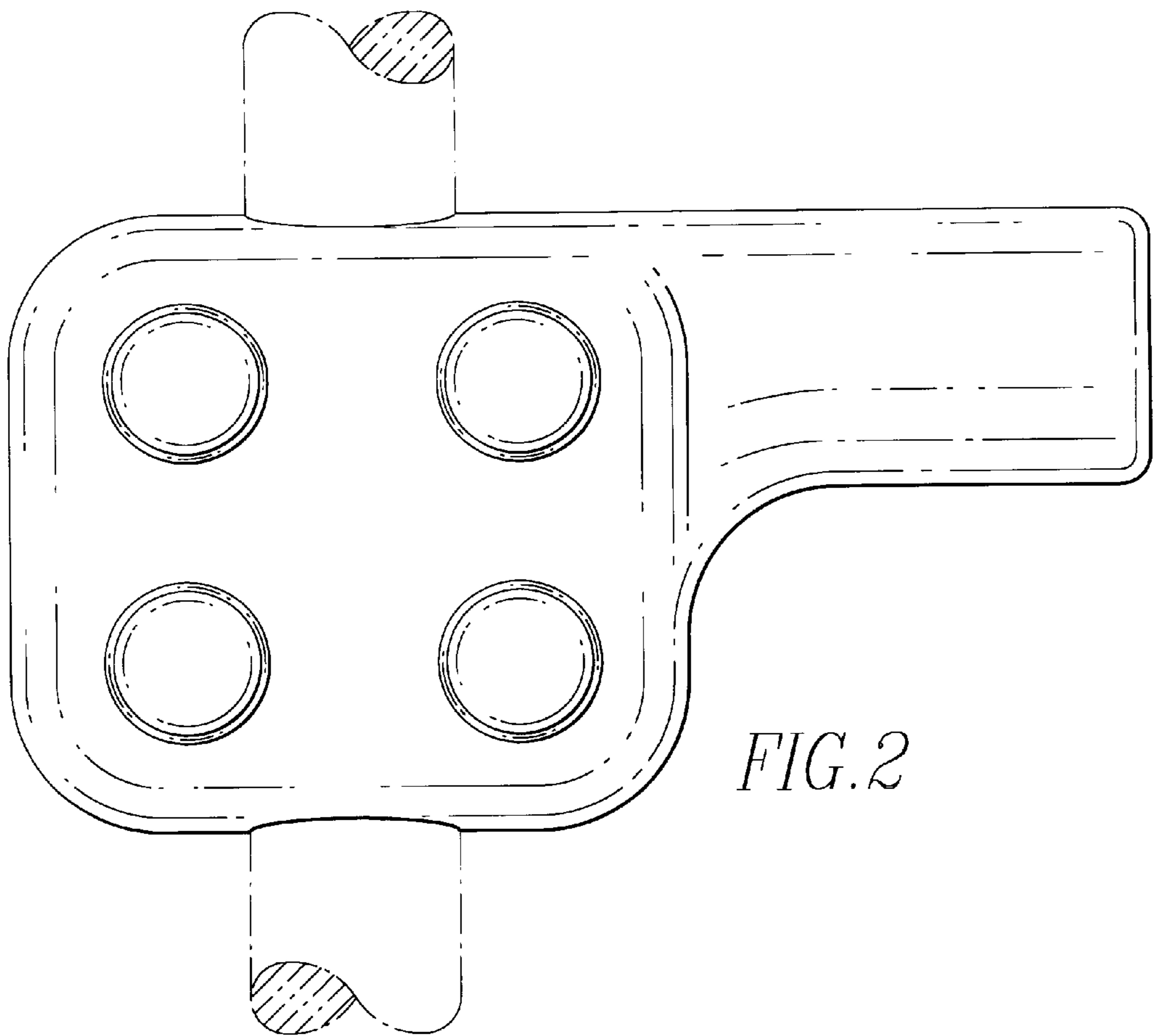


FIG. 2

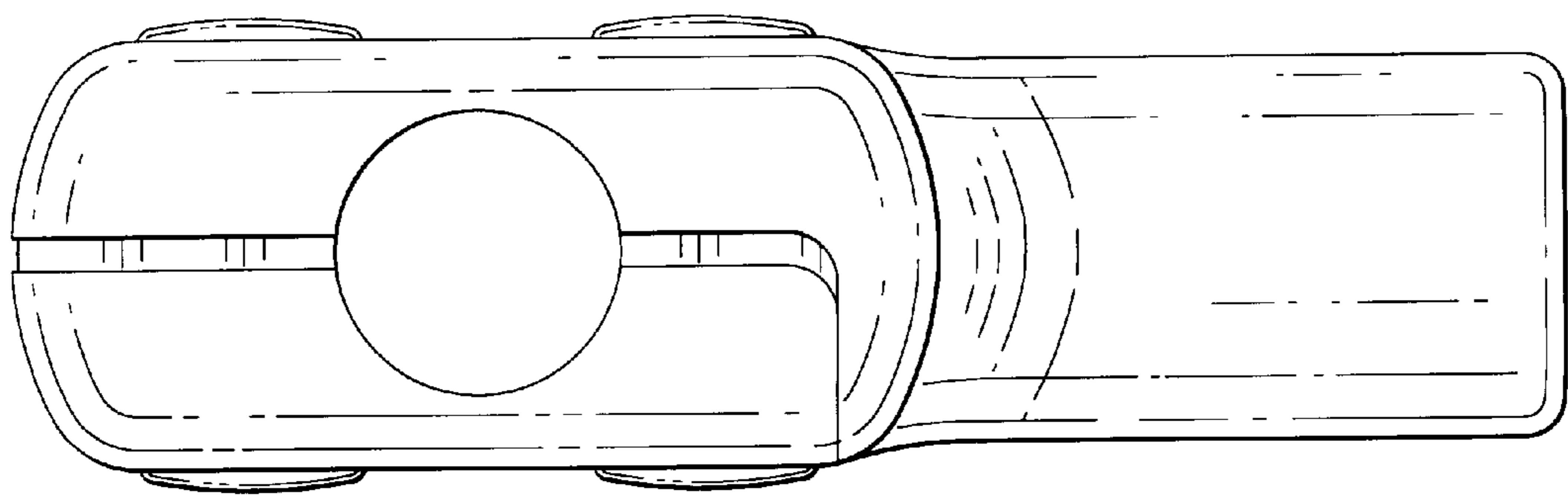


FIG. 3

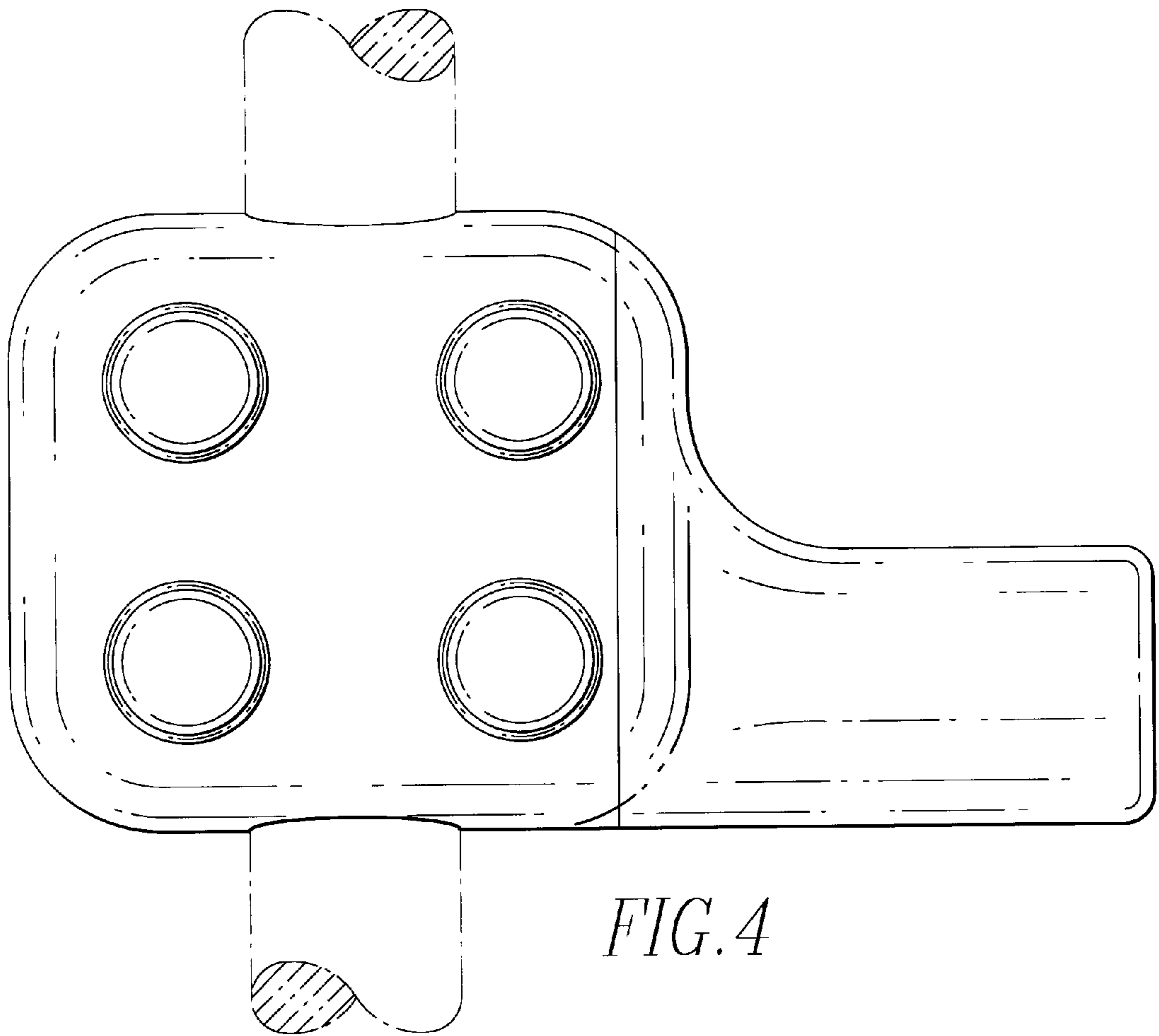


FIG. 4

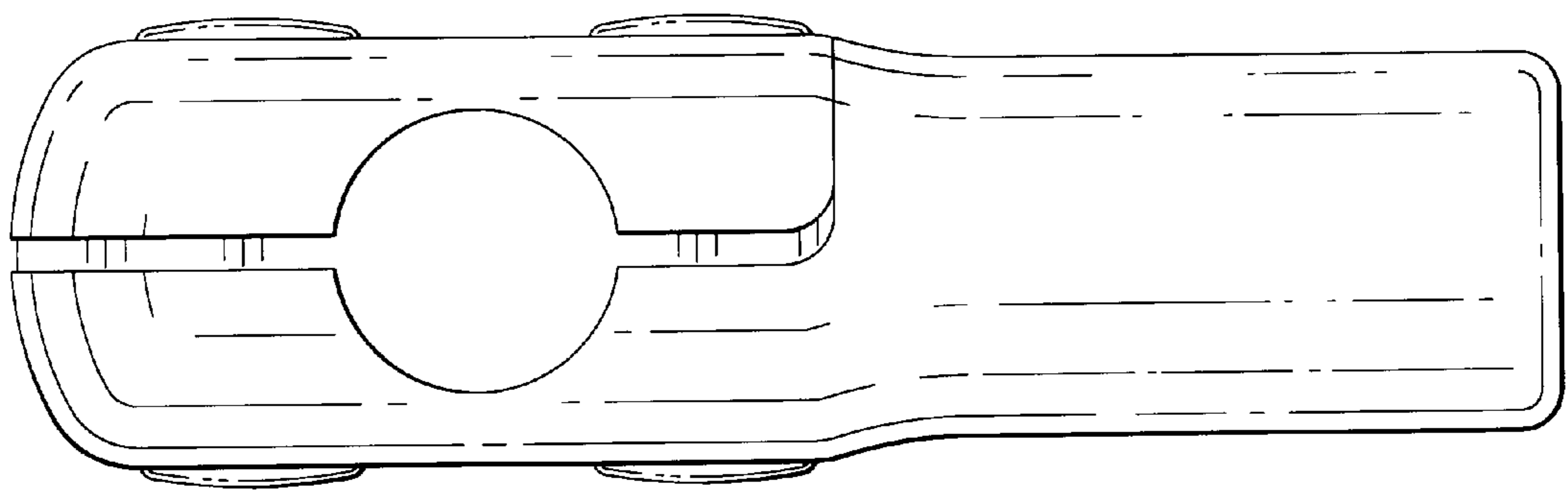


FIG. 5

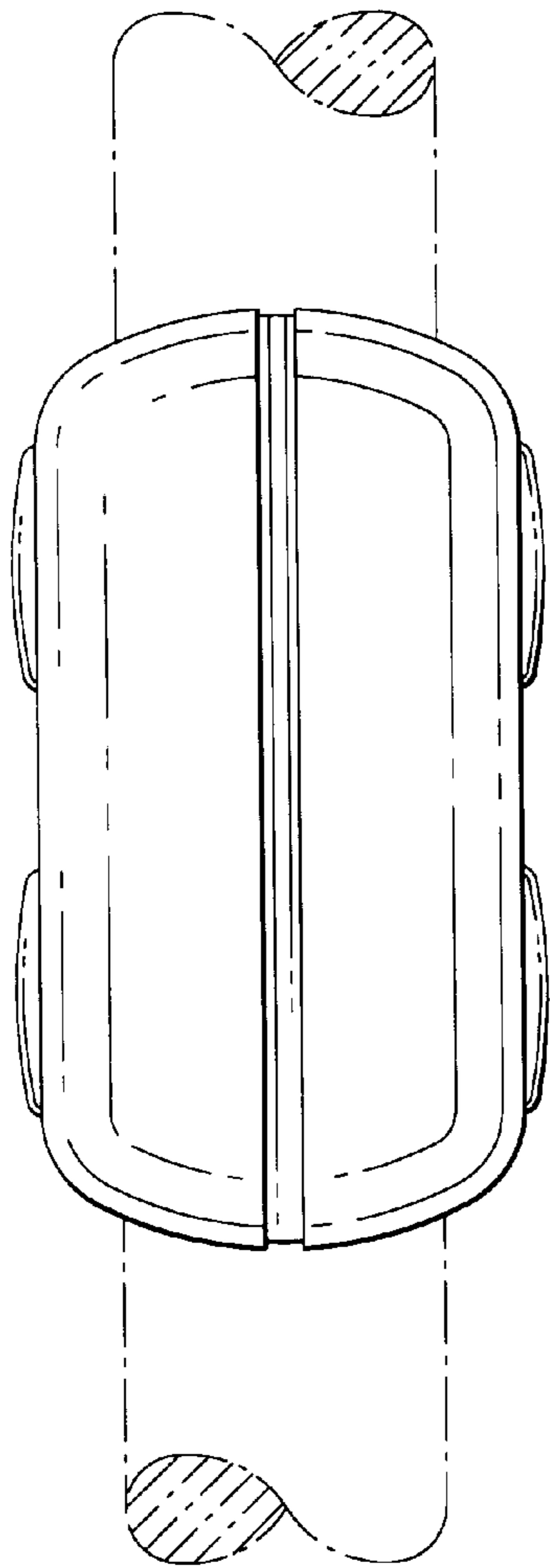


FIG. 6

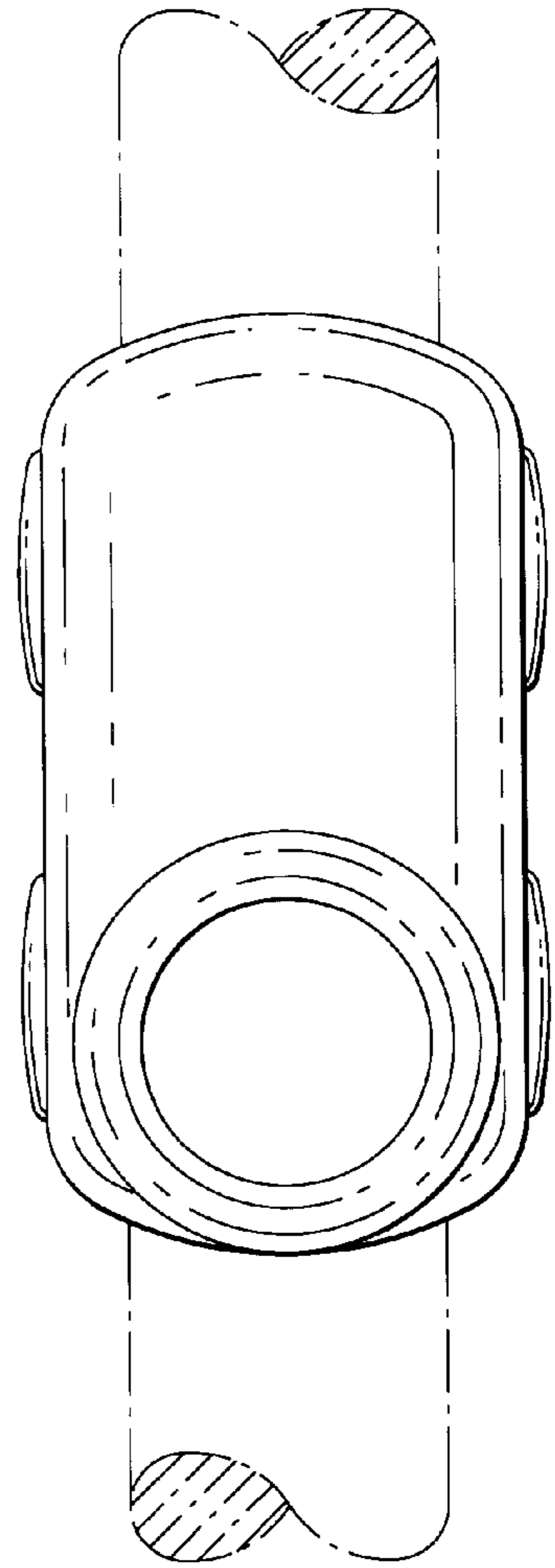


FIG. 7