



US00D423920S

United States Patent [19]
Lodi

[11] **Patent Number: Des. 423,920**

[45] **Date of Patent: ** May 2, 2000**

[54] **LOW PROFILE SPACER STUD WITH A KEYSLOT LOCKING BASE**

[75] Inventor: **Frank Lodi, Niles, Ill.**

[73] Assignee: **Richco Inc., Chicago, Ill.**

[**] Term: **14 Years**

[21] Appl. No.: **29/107,865**

[22] Filed: **Jul. 16, 1999**

[51] **LOC (7) Cl. 08-08**

[52] **U.S. Cl. D8/387**

[58] **Field of Search D8/387; 411/378, 411/411, 166, 178, 184, 188, 427**

[56] **References Cited**

U.S. PATENT DOCUMENTS

- D. 265,174 6/1982 Boyle D8/387
- D. 296,188 6/1988 Herzog D8/387
- D. 310,956 10/1990 Huska D8/387

OTHER PUBLICATIONS

Machine Design, p. 288, bolt circled at top of page, Mar. 1963.
 Machine Design, p. 176, insert item A located at top left of page, Mar. 1963.

Primary Examiner—Holly Baynham
Attorney, Agent, or Firm—Martin Faier; Faier & Faier P.C.

[57] **CLAIM**

The ornamental design for a low profile spacer stud with a keyslot locking base, as shown and described.

DESCRIPTION

FIG. 1 is a perspective view of a device embodying the invention.

FIG. 2 is a front elevational view of a device embodying the invention.

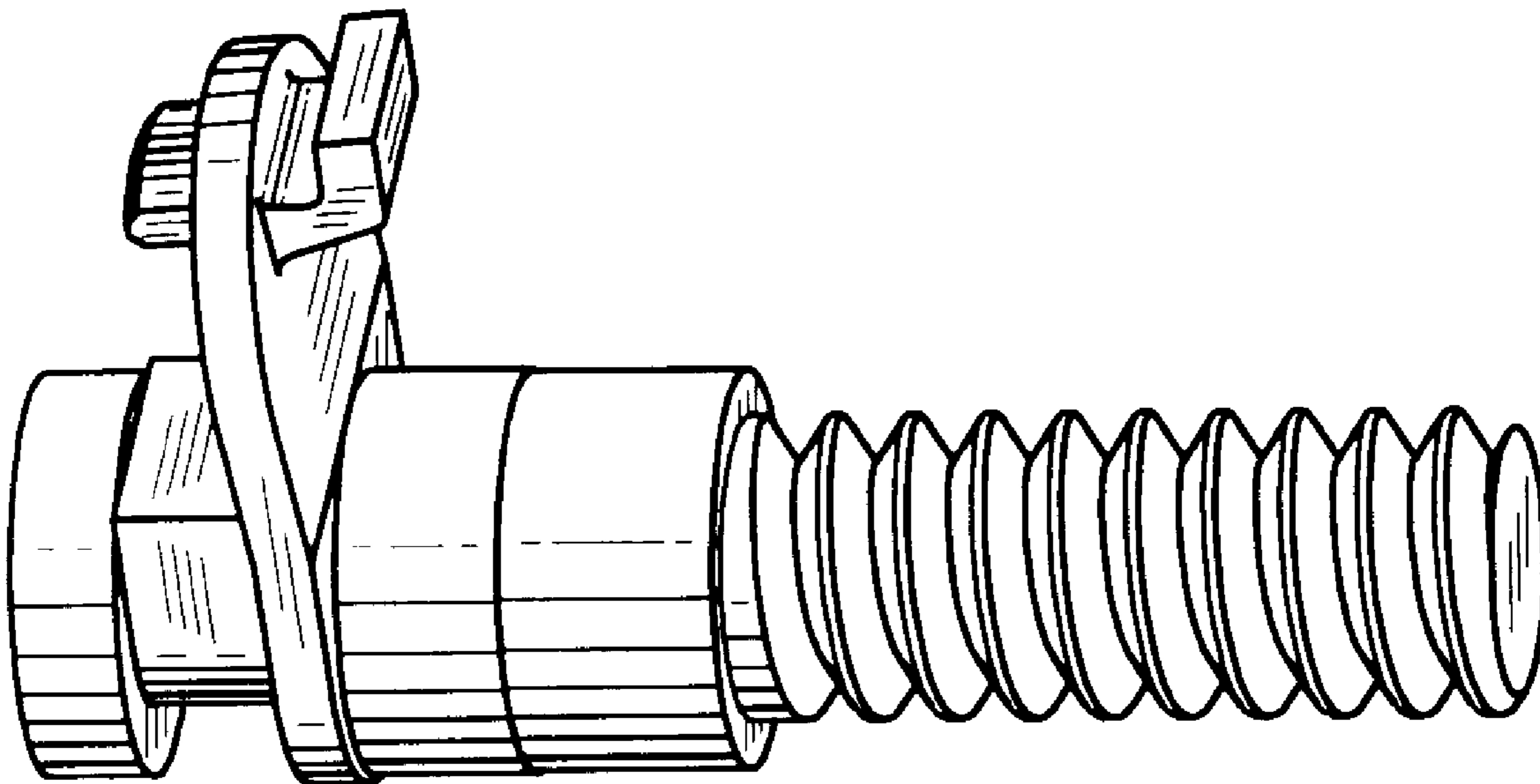
FIG. 3 is a rear elevational view of a device embodying the invention.

FIG. 4 is a top view of a device embodying the invention.

FIG. 5 is a bottom view of a device embodying the invention; and,

FIG. 6 is a side view of a device embodying the invention, both the left and right side being substantially identical and mirror images of one another.

1 Claim, 1 Drawing Sheet



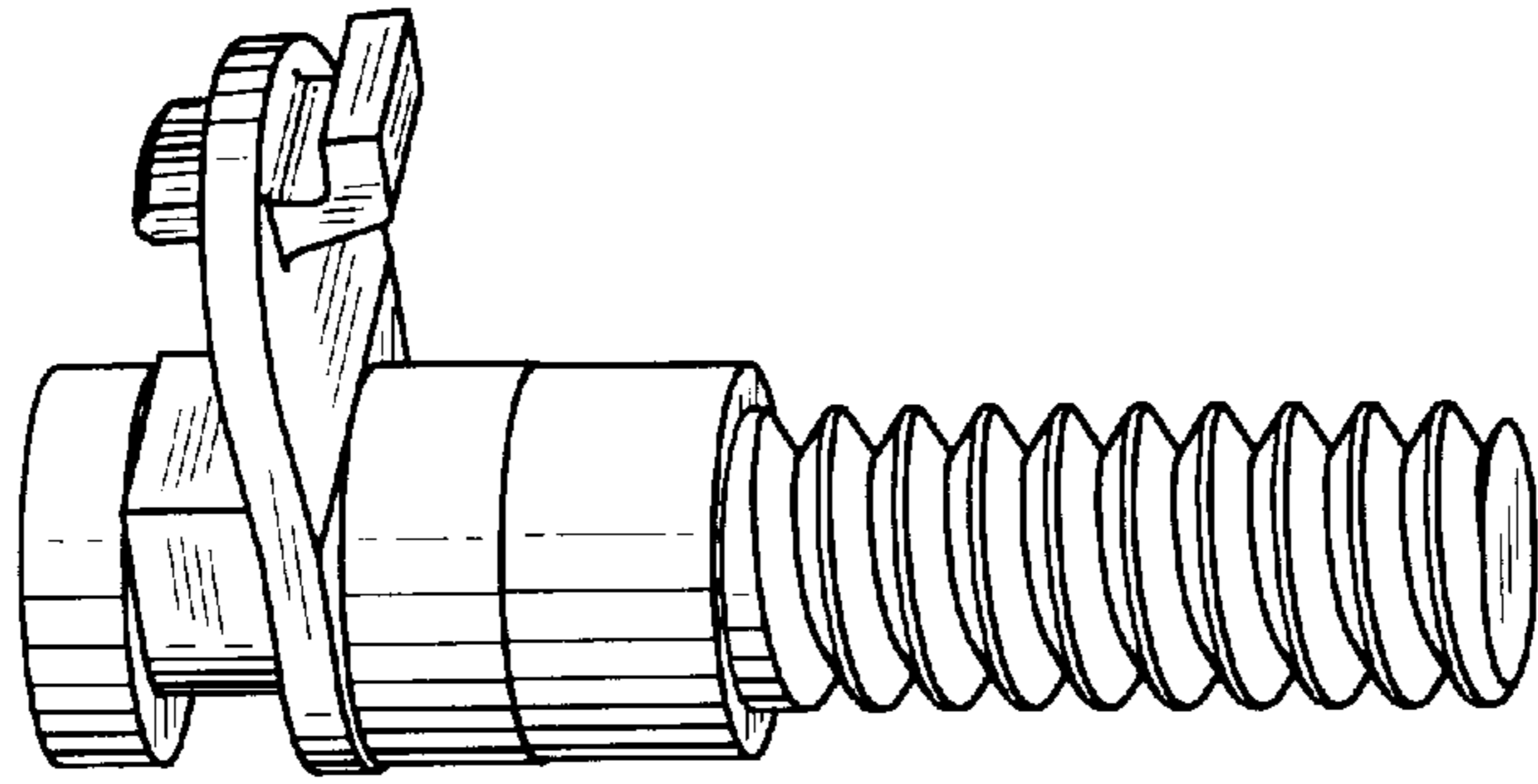


FIG. 1

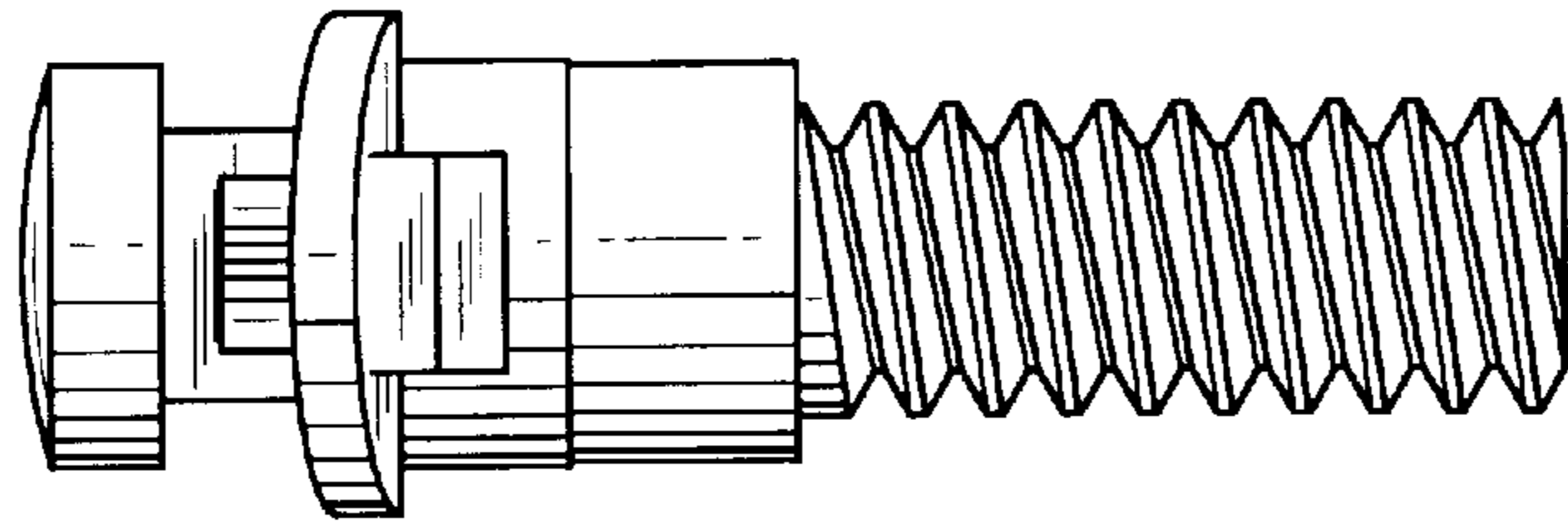


FIG. 2

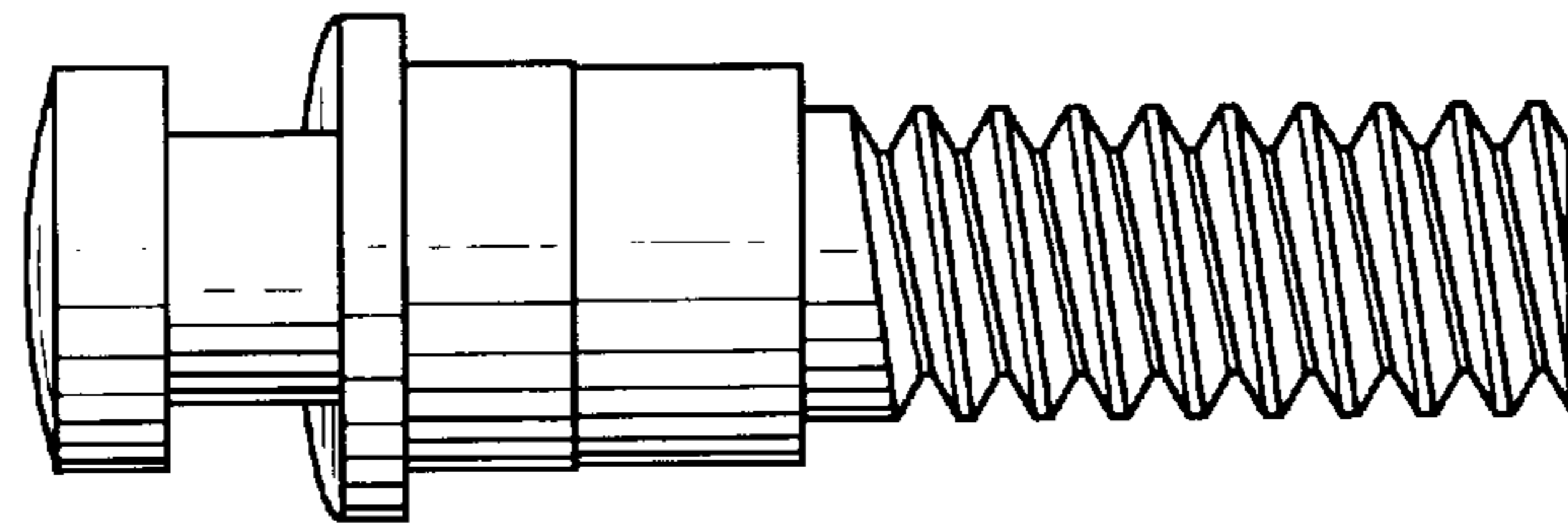


FIG. 3

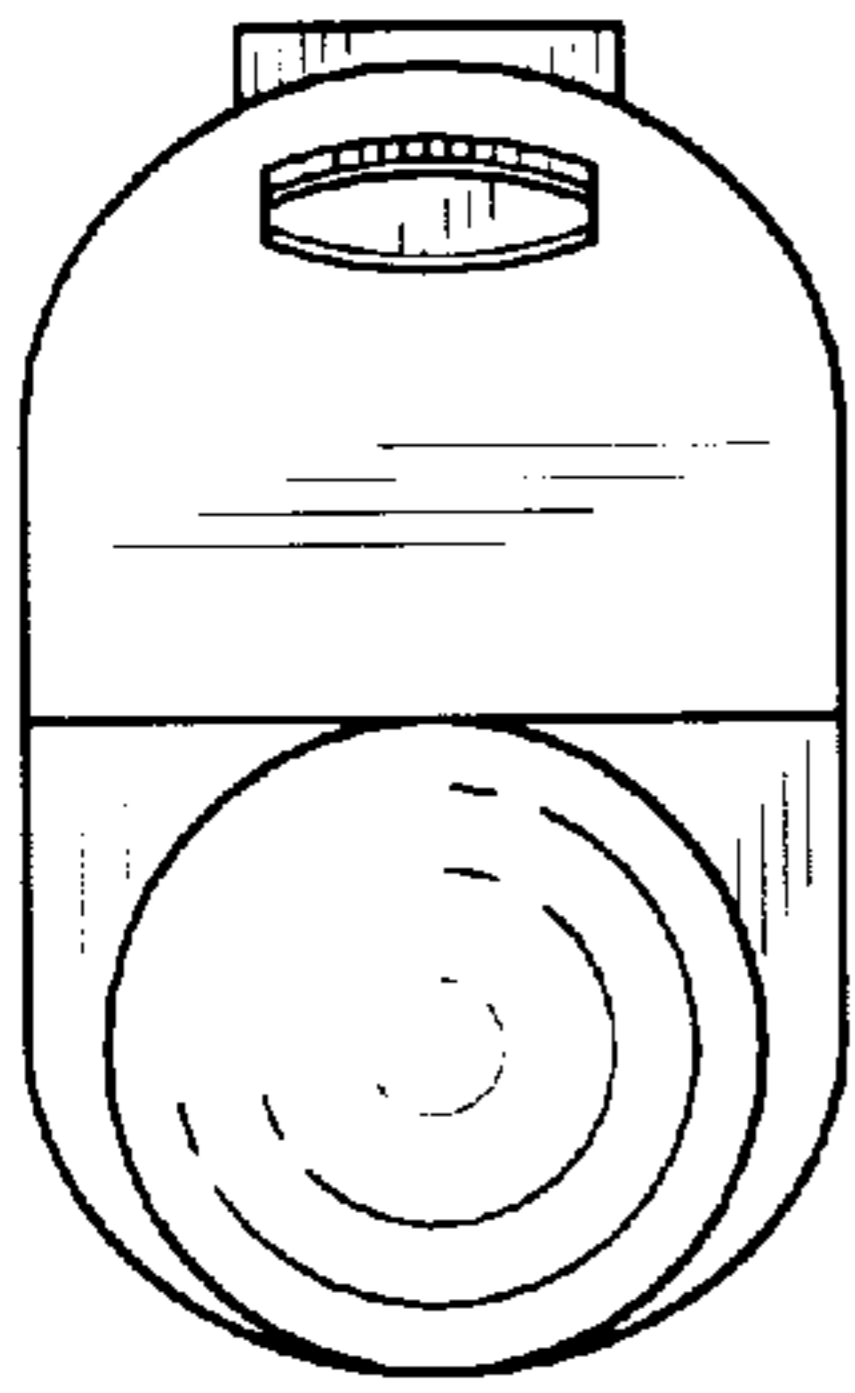


FIG. 5

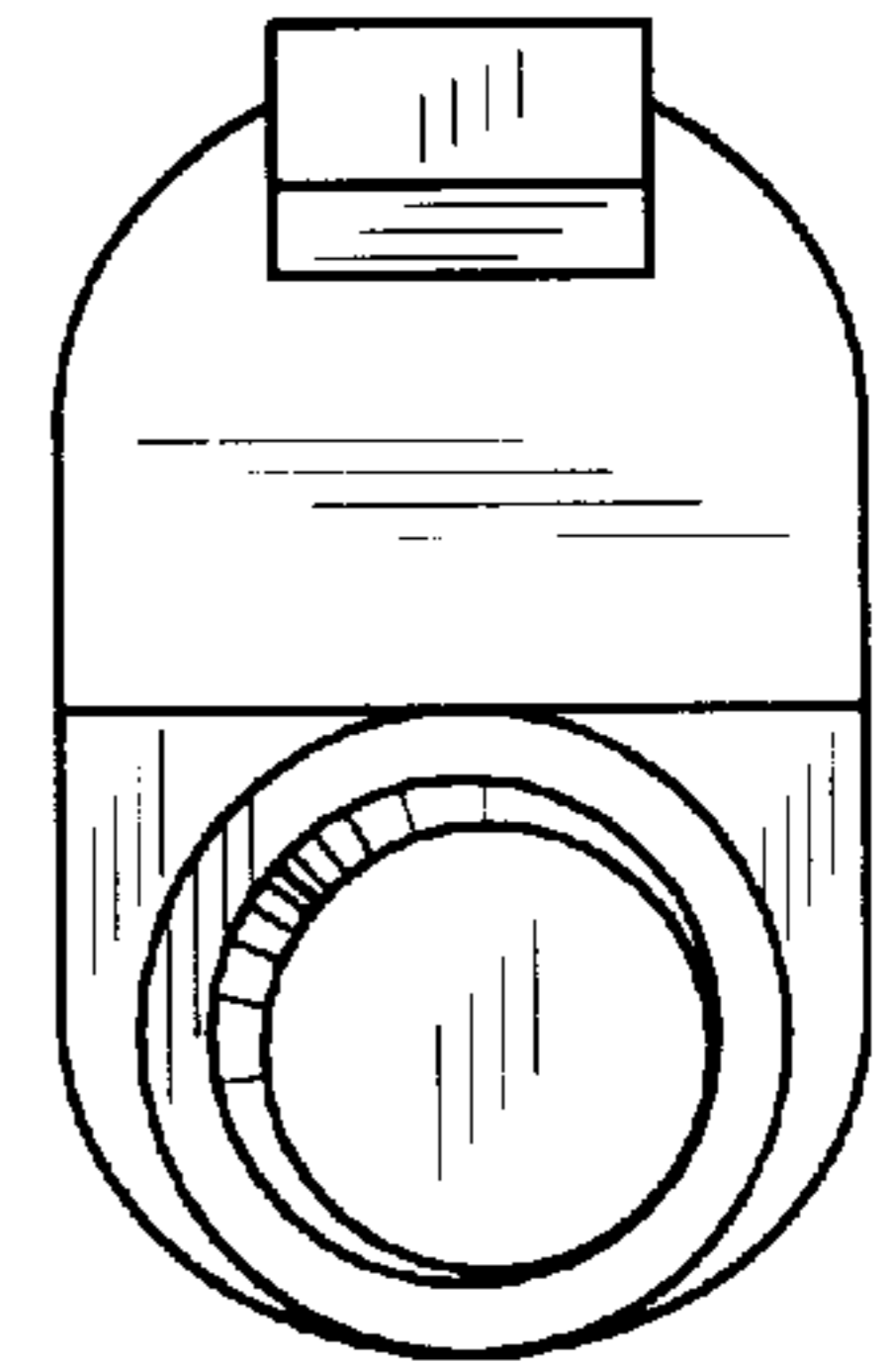


FIG. 4

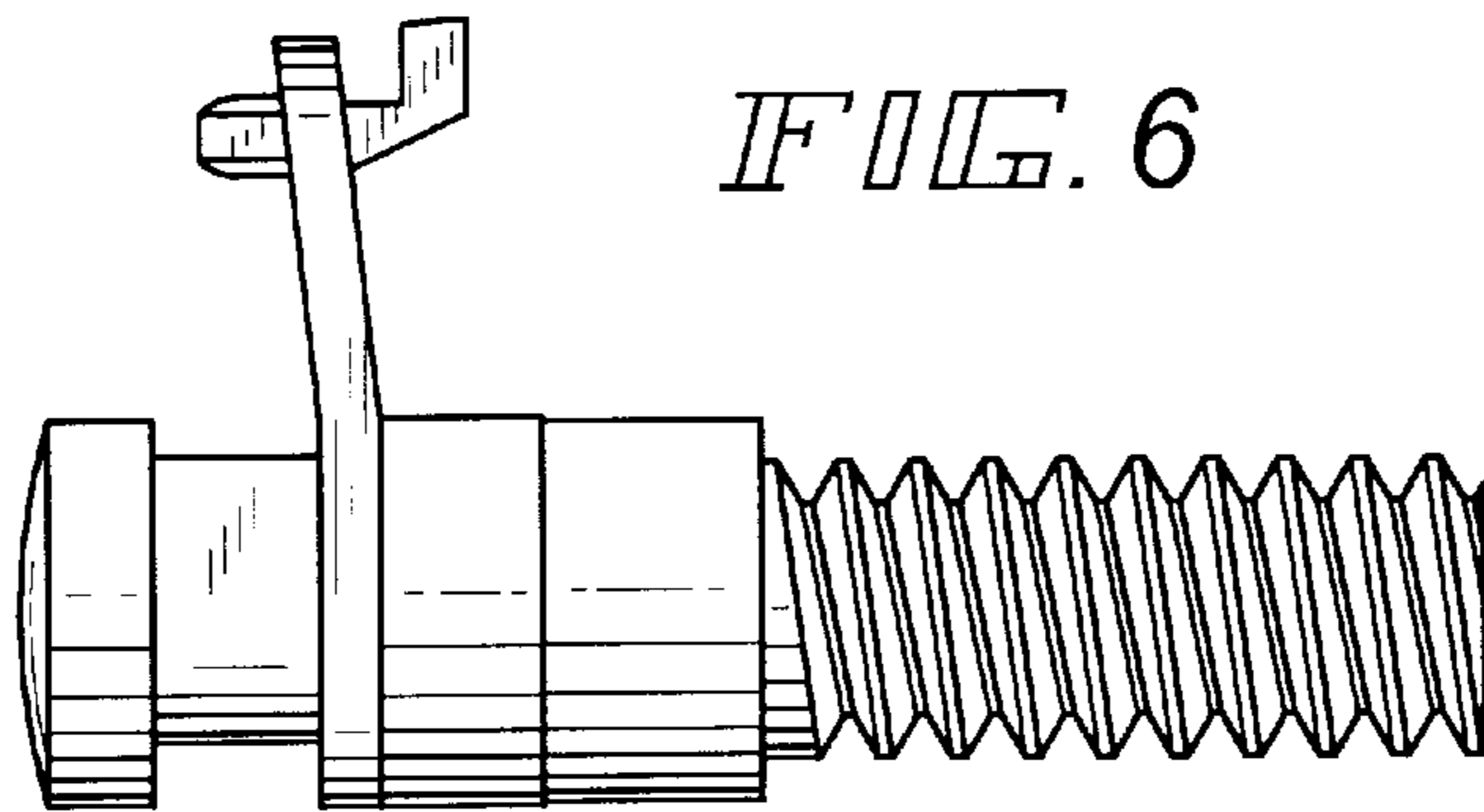


FIG. 6