



US00D423919S

United States Patent [19] Galinski

[11] **Patent Number: Des. 423,919**

[45] **Date of Patent: ** May 2, 2000**

[54] **CRUCIFORM CENTER PIVOT**

5,624,200 4/1997 Beaulieu 403/217
5,746,548 5/1998 Crandall 403/316

[75] Inventor: **Adolph G. Galinski**, Burr Ridge, Ill.

Primary Examiner—Holly Baynham
Attorney, Agent, or Firm—John P. O'Brien

[73] Assignee: **Illinois Tool Works Inc.**, Glenview, Ill.

[**] Term: **14 Years**

[57] **CLAIM**

[21] Appl. No.: **29/100,012**

An ornamental design for a cruciform center pivot, as shown.

[22] Filed: **Feb. 2, 1999**

DESCRIPTION

[51] **LOC (7) Cl.** **08-08**

FIG. 1 is a top perspective view of a cruciform center pivot according to the invention.

[52] **U.S. Cl.** **D8/382**

FIG. 2 is a top plan view thereof.

[58] **Field of Search** D26/140; 248/183.2,
248/481; 403/77, 116, 316

FIG. 3 is a bottom plan view thereof.

FIG. 4 is an end view thereof, the opposing end view being identical; and,

[56] **References Cited**

FIG. 5 is a side view thereof, the opposing side view being identical.

U.S. PATENT DOCUMENTS

D. 114,855	5/1939	Donley	D26/140
D. 279,823	7/1985	Parker et al.	D26/140
D. 399,594	10/1998	Patik	D26/138
2,900,196	8/1959	Nienke	280/86.75

The broken line portions of the figures are for illustrative purposes only and form no part of the claimed design.

1 Claim, 2 Drawing Sheets

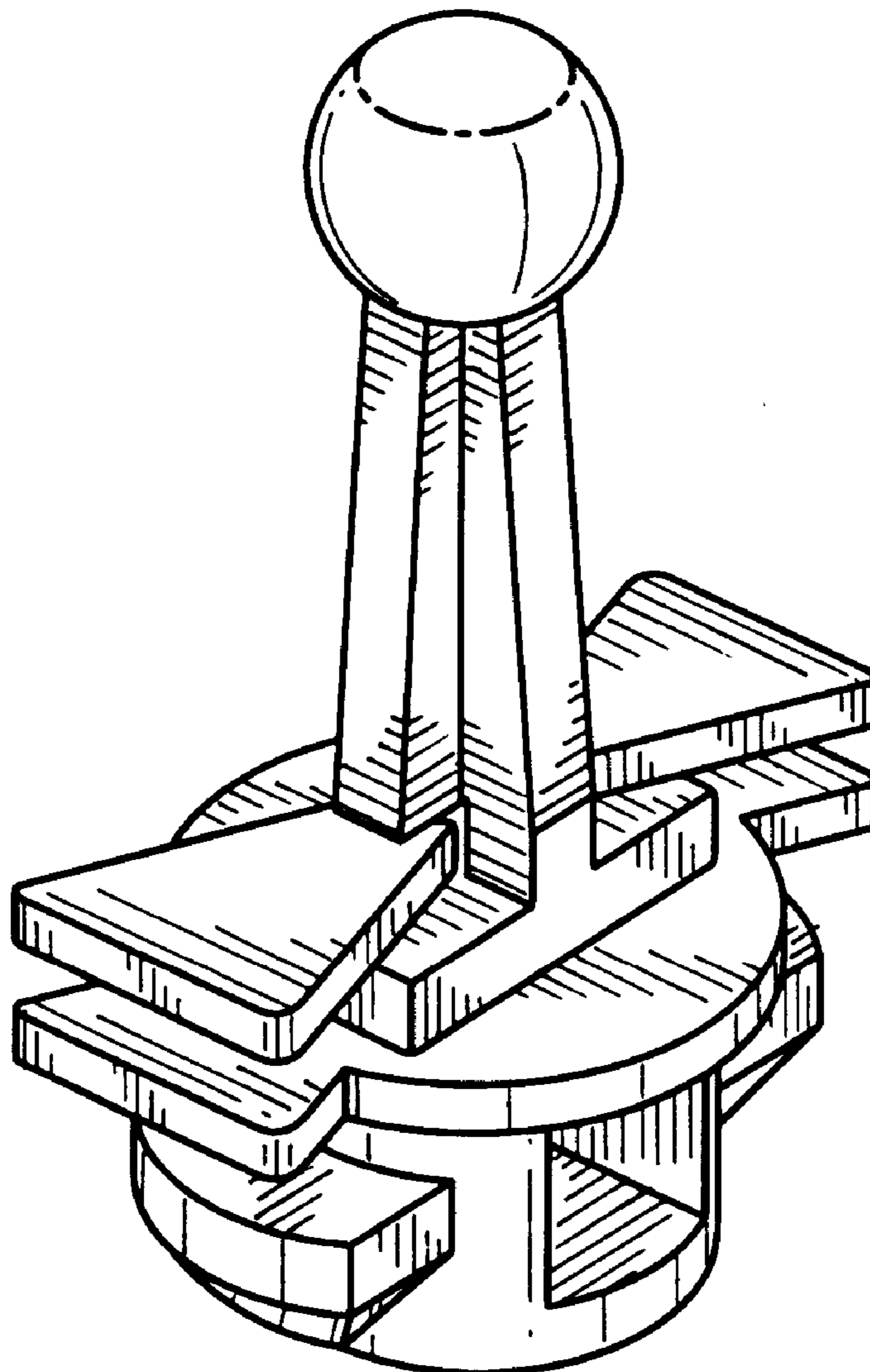


FIG. 1

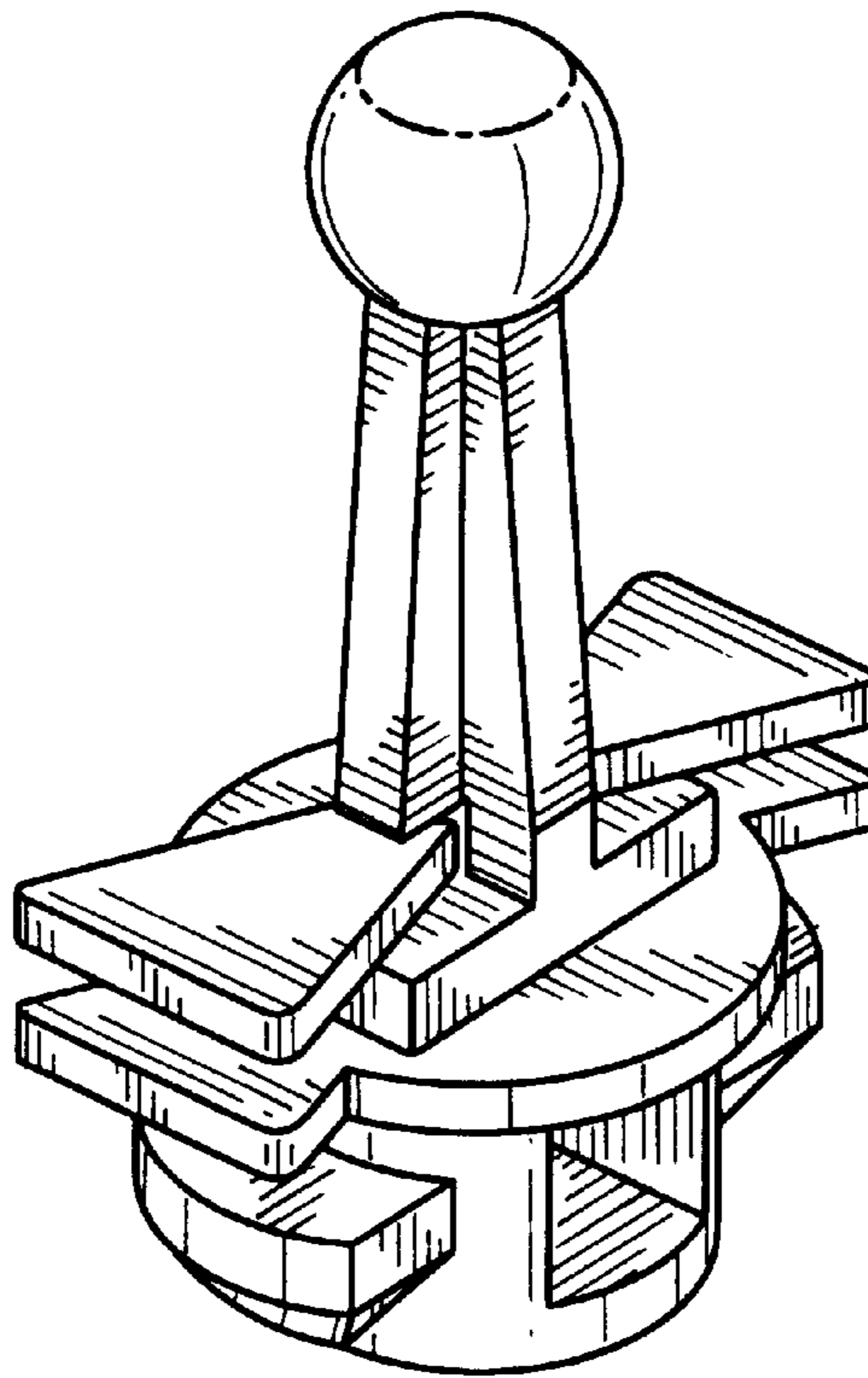


FIG. 2

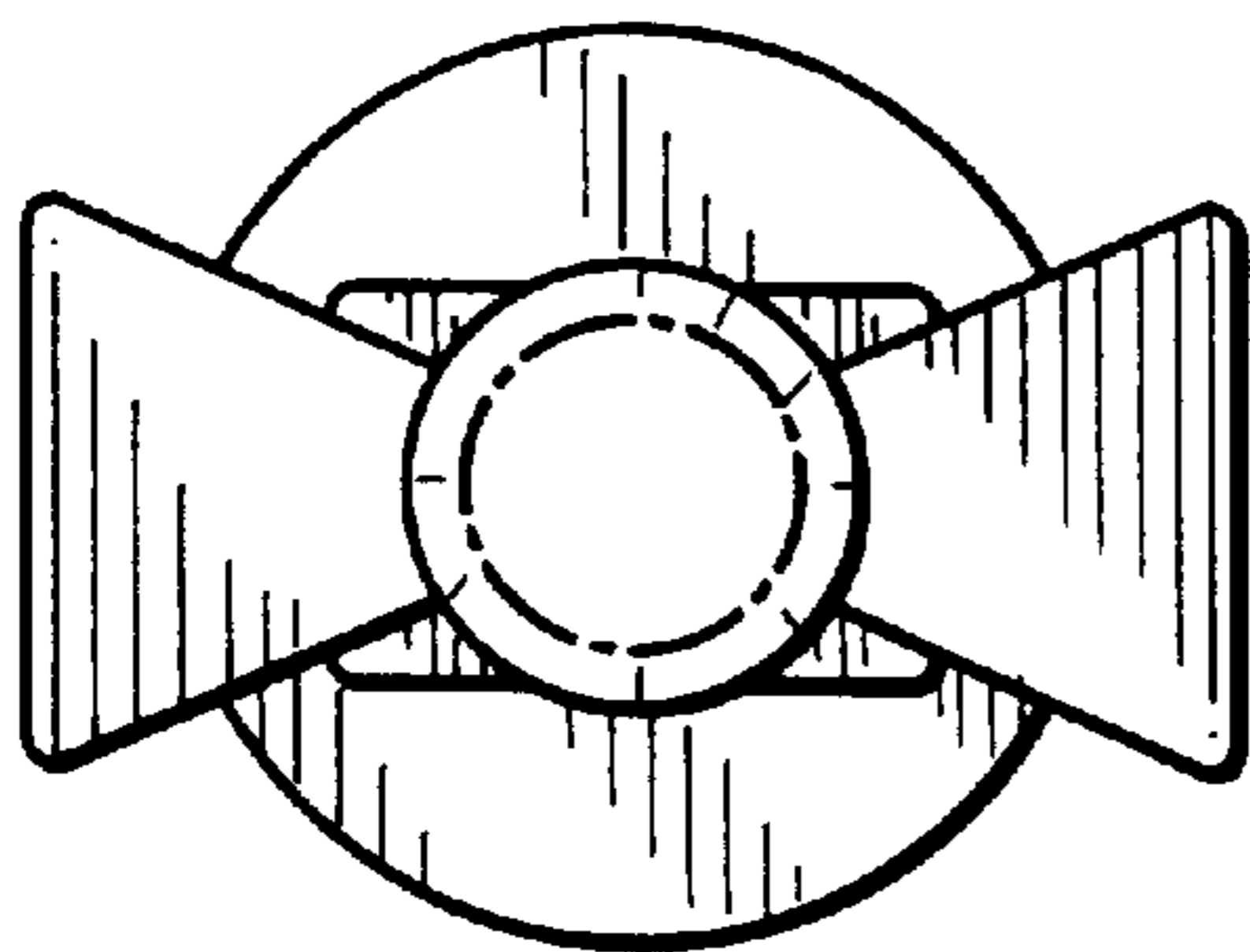


FIG. 3

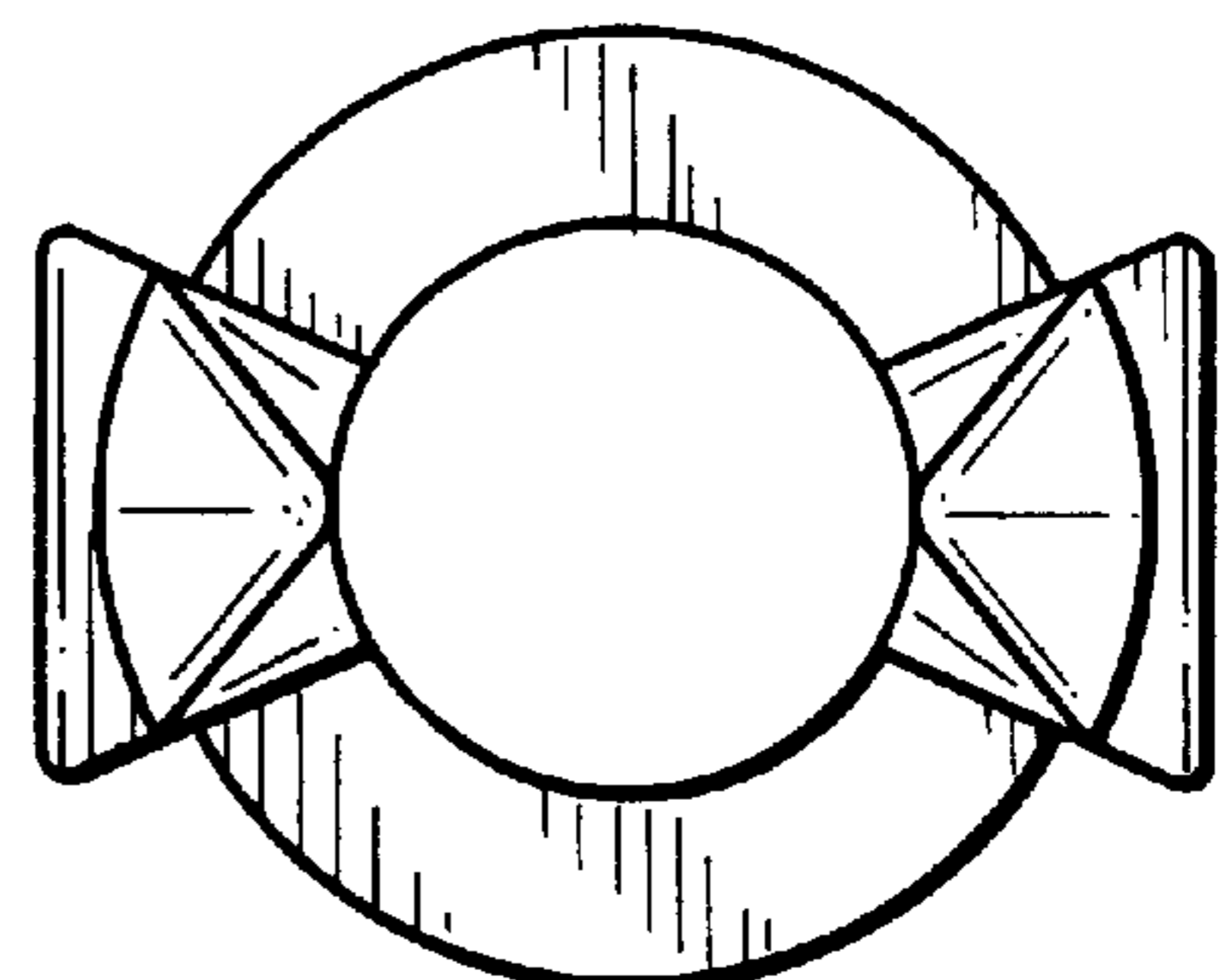


FIG. 5

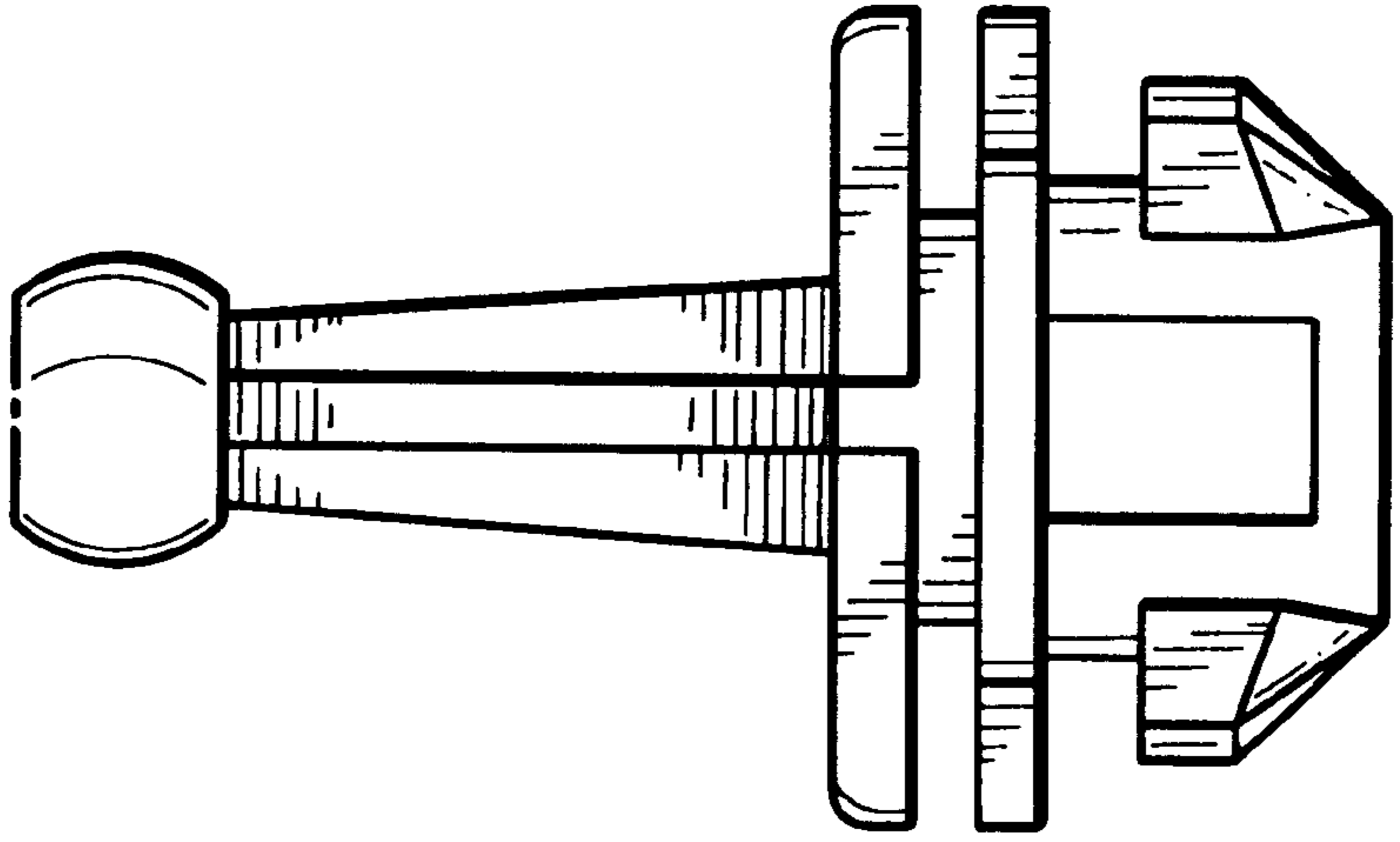


FIG. 4

