



US00D423918S

# United States Patent [19]

[11] Patent Number: **Des. 423,918**

Hirano et al.

[45] Date of Patent: **\*\* May 2, 2000**

## [54] JOINT FOR PIPE STRUCTURE

[75] Inventors: **Seiji Hirano; Asao Shoda**, both of Shizuoka, Japan

[73] Assignee: **Yazaki Industrial Chemical Co. Ltd.**, Shizuoka, Japan

[\*\*] Term: **14 Years**

[21] Appl. No.: **29/082,433**

[22] Filed: **Jan. 22, 1998**

[51] LOC (7) Cl. .... **08-08**

[52] U.S. Cl. .... **D8/382**

[58] Field of Search ..... D8/382; 403/300, 403/305-306, 205, 312, 388, 217, 169, 170, 173-174; 211/182, 68, 177-178; 248/99; D23/262-263

## [56] References Cited

### U.S. PATENT DOCUMENTS

- D. 348,723 7/1994 Carroll ..... D23/263
- D. 381,573 7/1997 Sabounjian ..... D8/382
- 2,839,320 6/1958 Hill ..... D8/382 X

Primary Examiner—Holly Baynham  
Attorney, Agent, or Firm—Eric P. Schellin

## [57] CLAIM

The ornamental design for a joint for pipe structure, as shown and described.

## DESCRIPTION

FIG. 1 is a top, front, and right side perspective view of a joint for pipe structure showing our new design;  
 FIG. 2 is a top plan view;  
 FIG. 3 is a front elevational view;  
 FIG. 4 is a right side elevational view;  
 FIG. 5 is a left side elevational view;  
 FIG. 6 is a bottom plan view;  
 FIG. 7 is a rear elevational view;  
 FIG. 8 is a cross sectional view taken in the direction of the arrows on line 8—8 FIG. 2;  
 FIG. 9 is a cross sectional view taken in the direction of the arrows on line 9—9 of FIG. 3;  
 FIG. 10 is a cross sectional view taken in the direction of the arrows on line 10—10 of FIG. 3;  
 FIG. 11 is a top, front, right side perspective view with the broken line showing a pipe being for illustrative purposes only and forming no part of the claimed design; and,  
 FIG. 12 is a reduced perspective view with the broken line showing of pipes, wires, wheels and joints being for illustrative purposes only and forming no part of the claimed design.

**1 Claim, 5 Drawing Sheets**

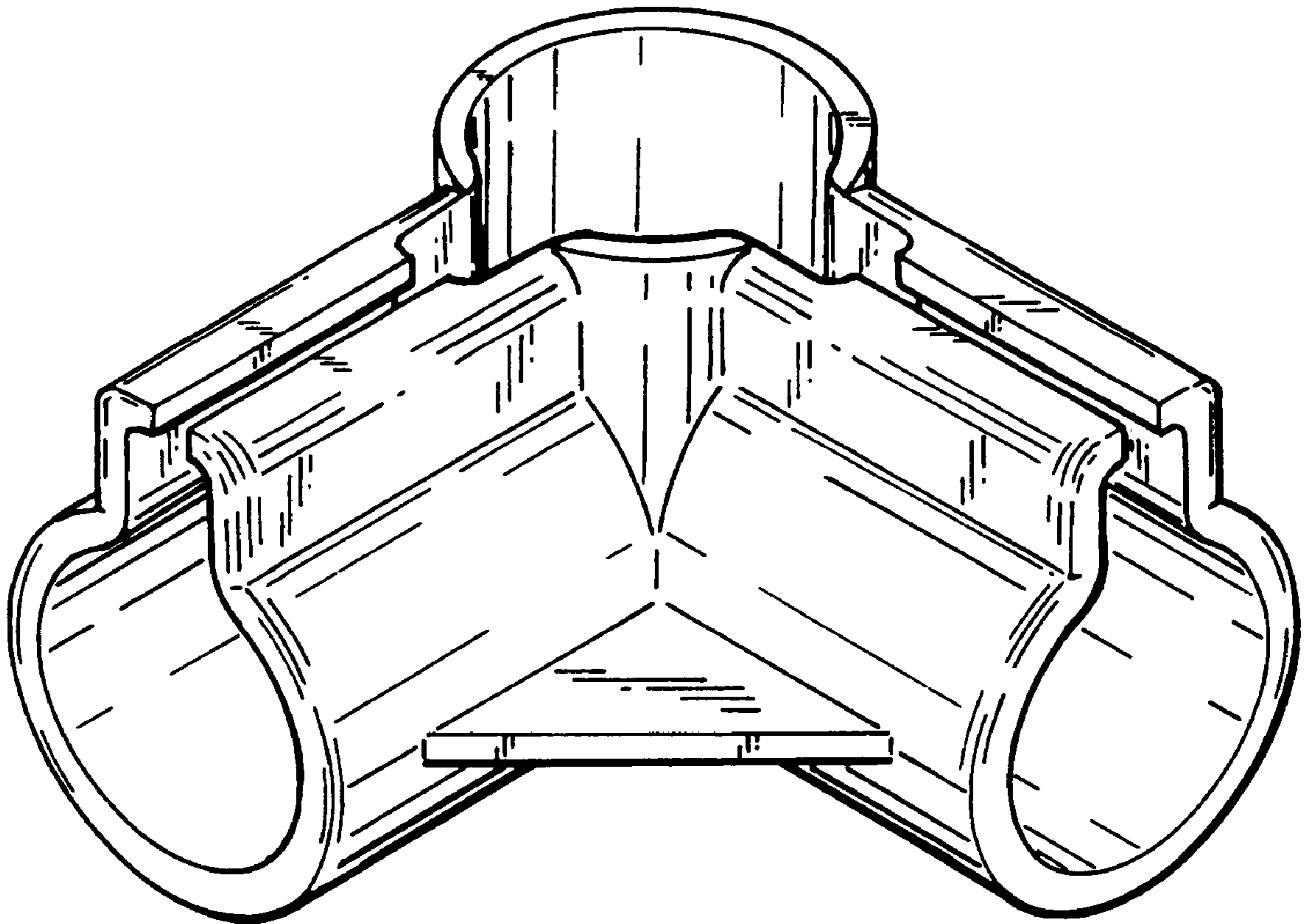


FIG. 1

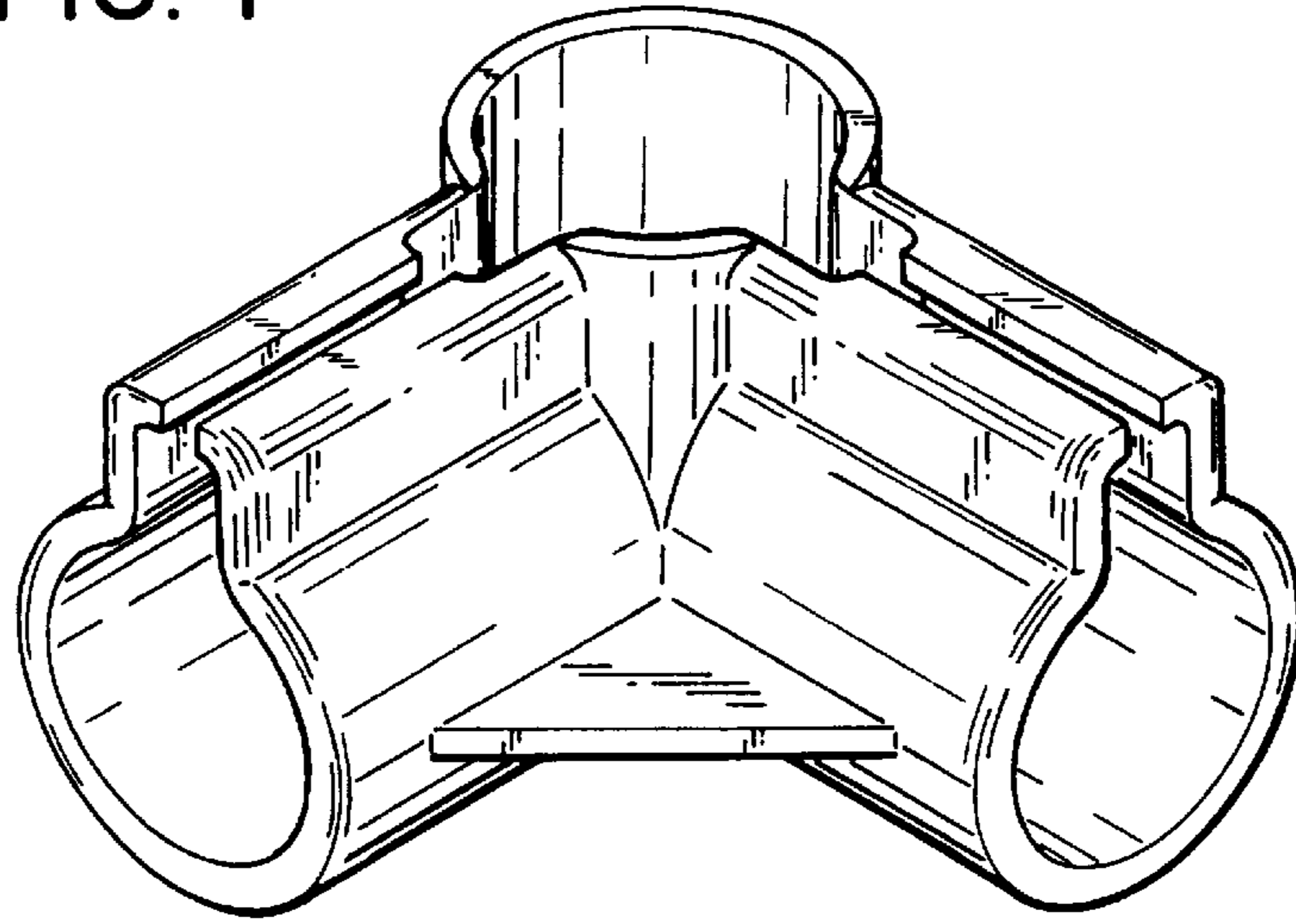


FIG. 2

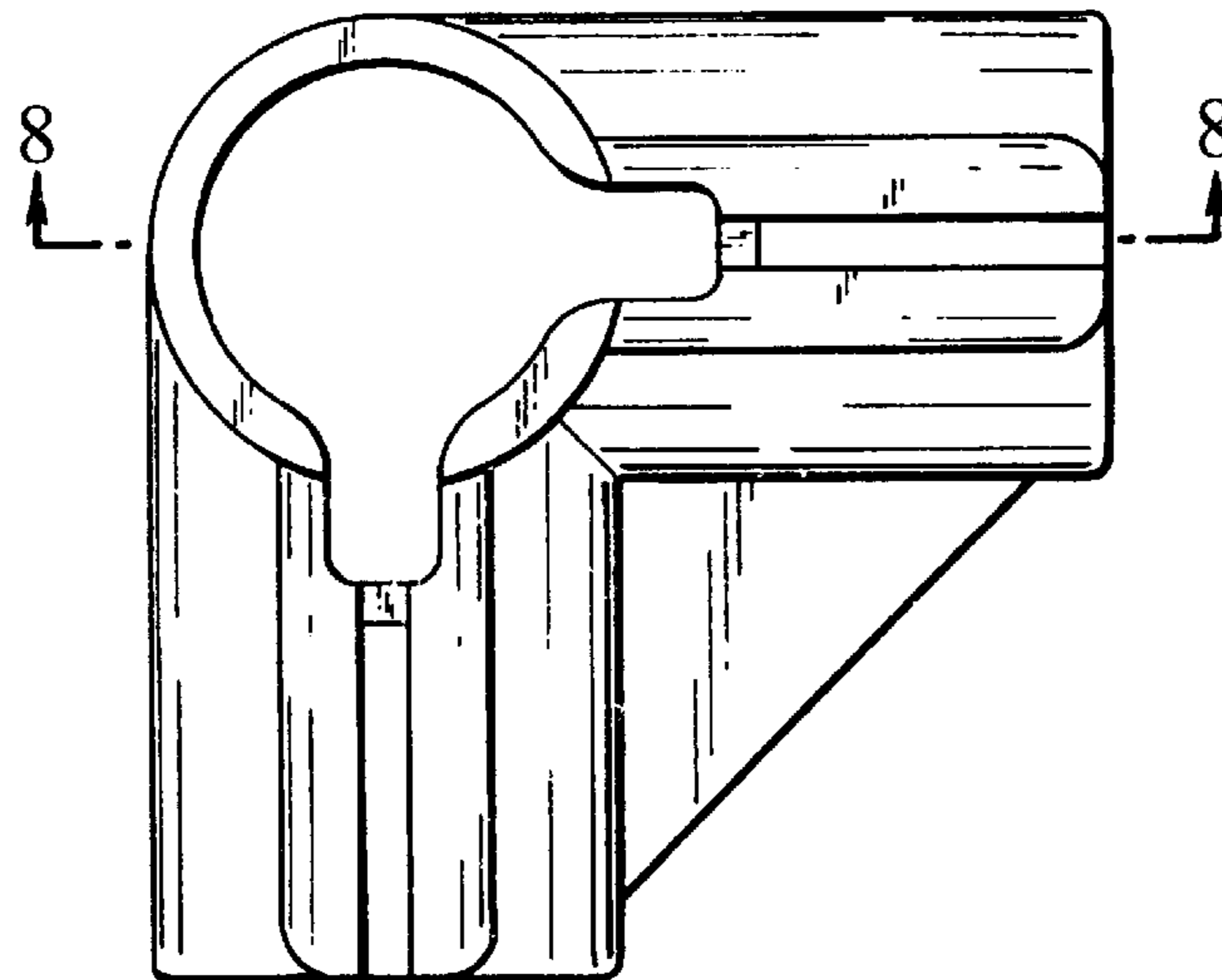


FIG. 3

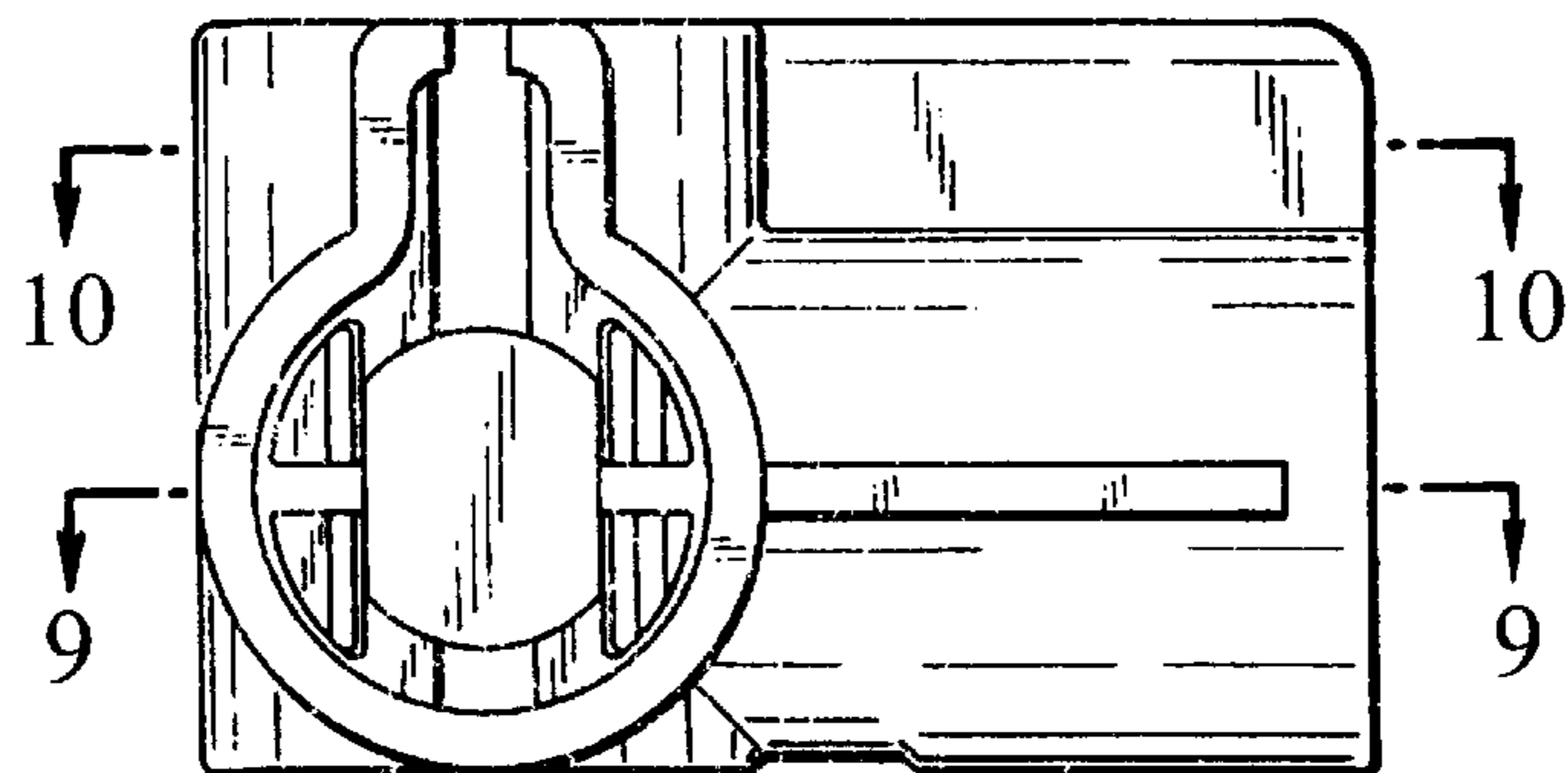


FIG. 4

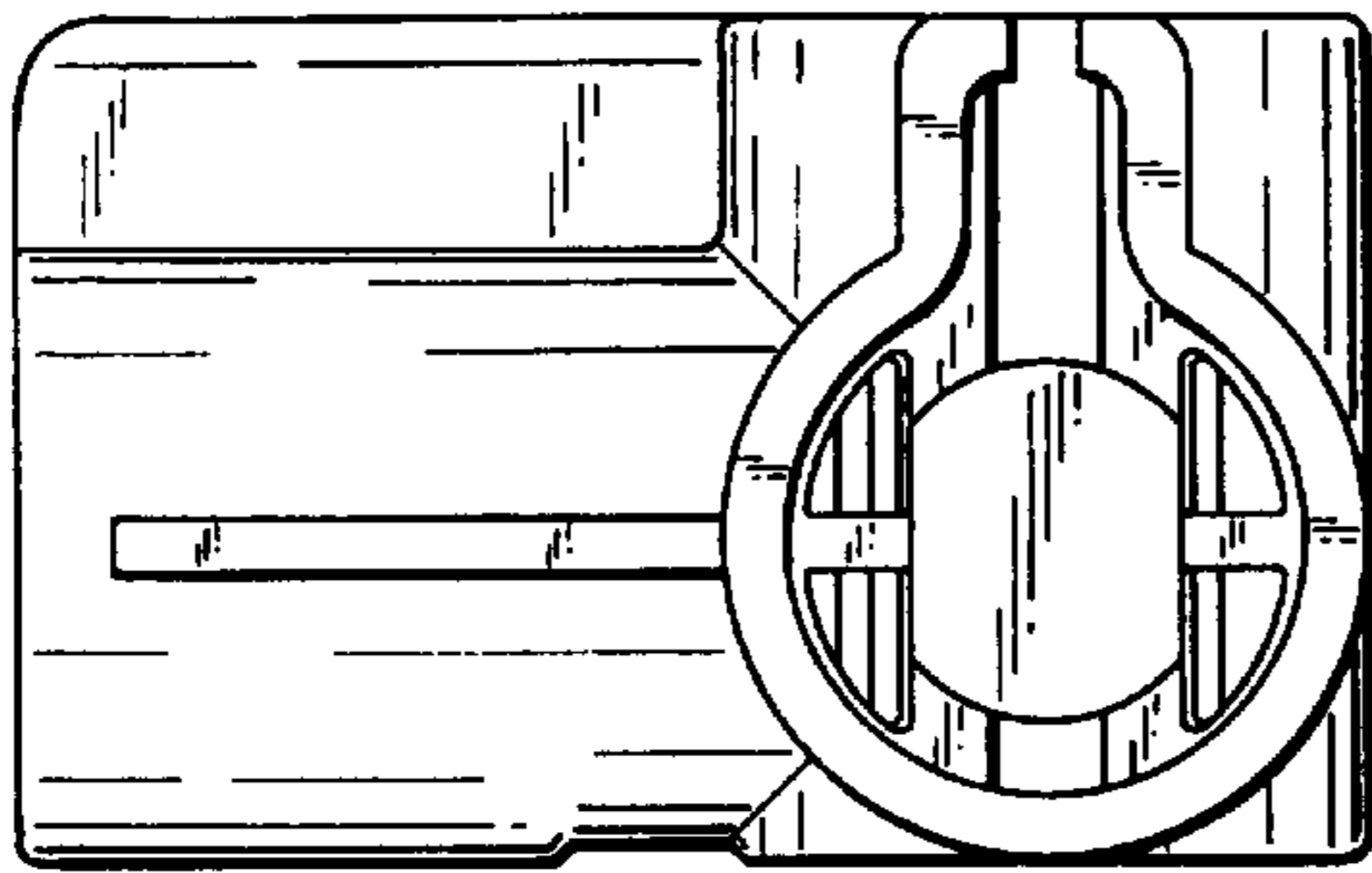


FIG. 5

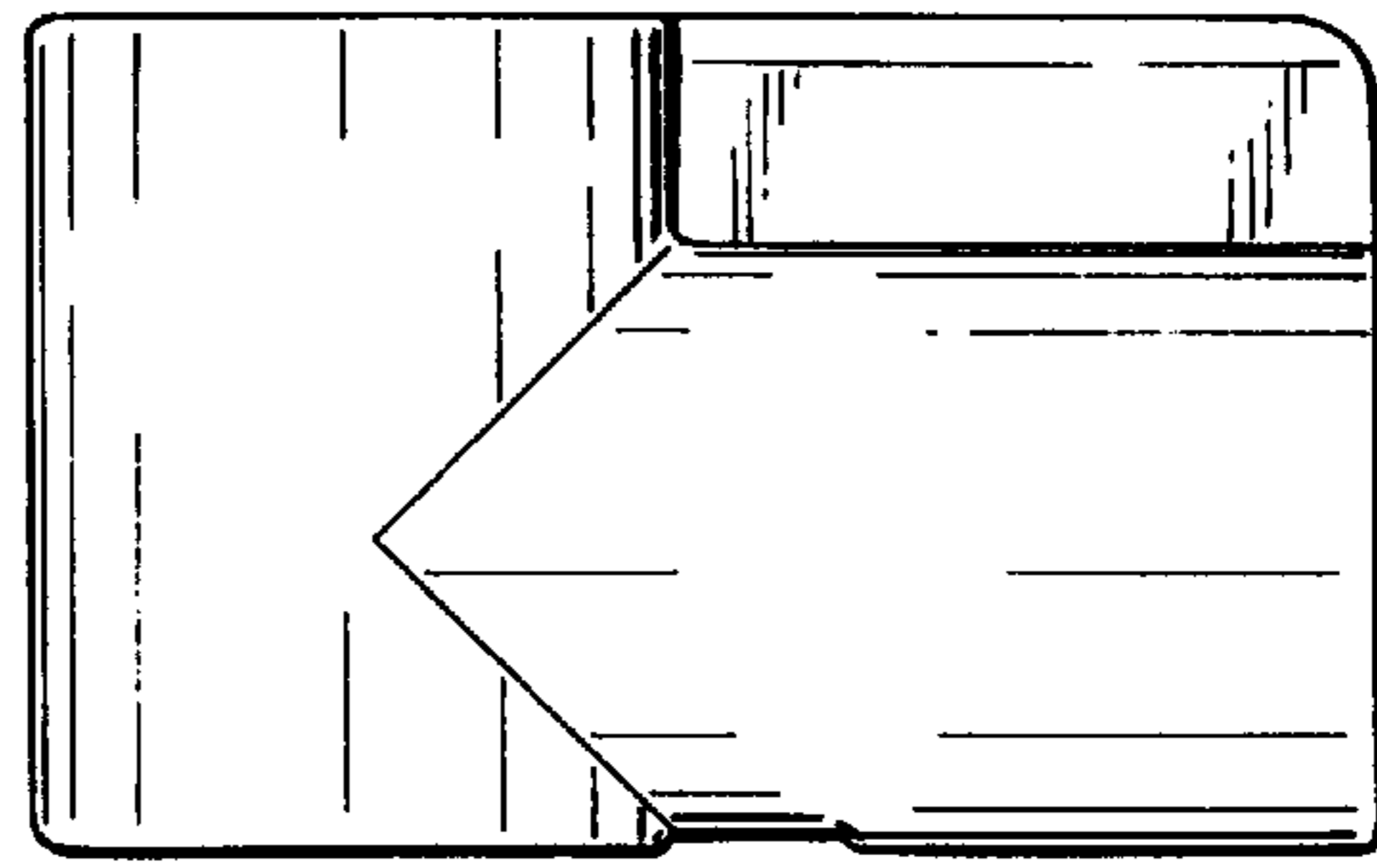


FIG. 6

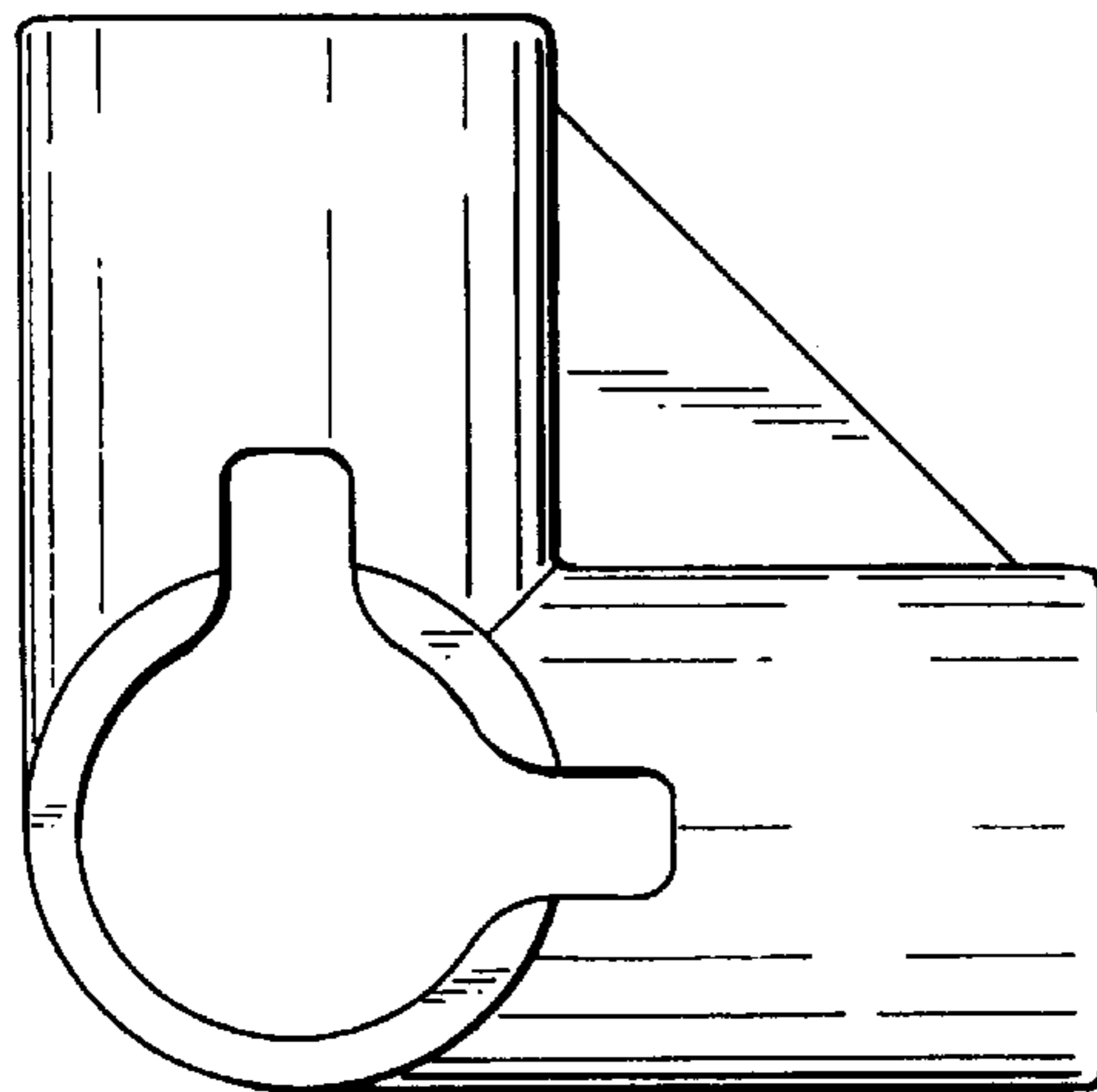


FIG. 7

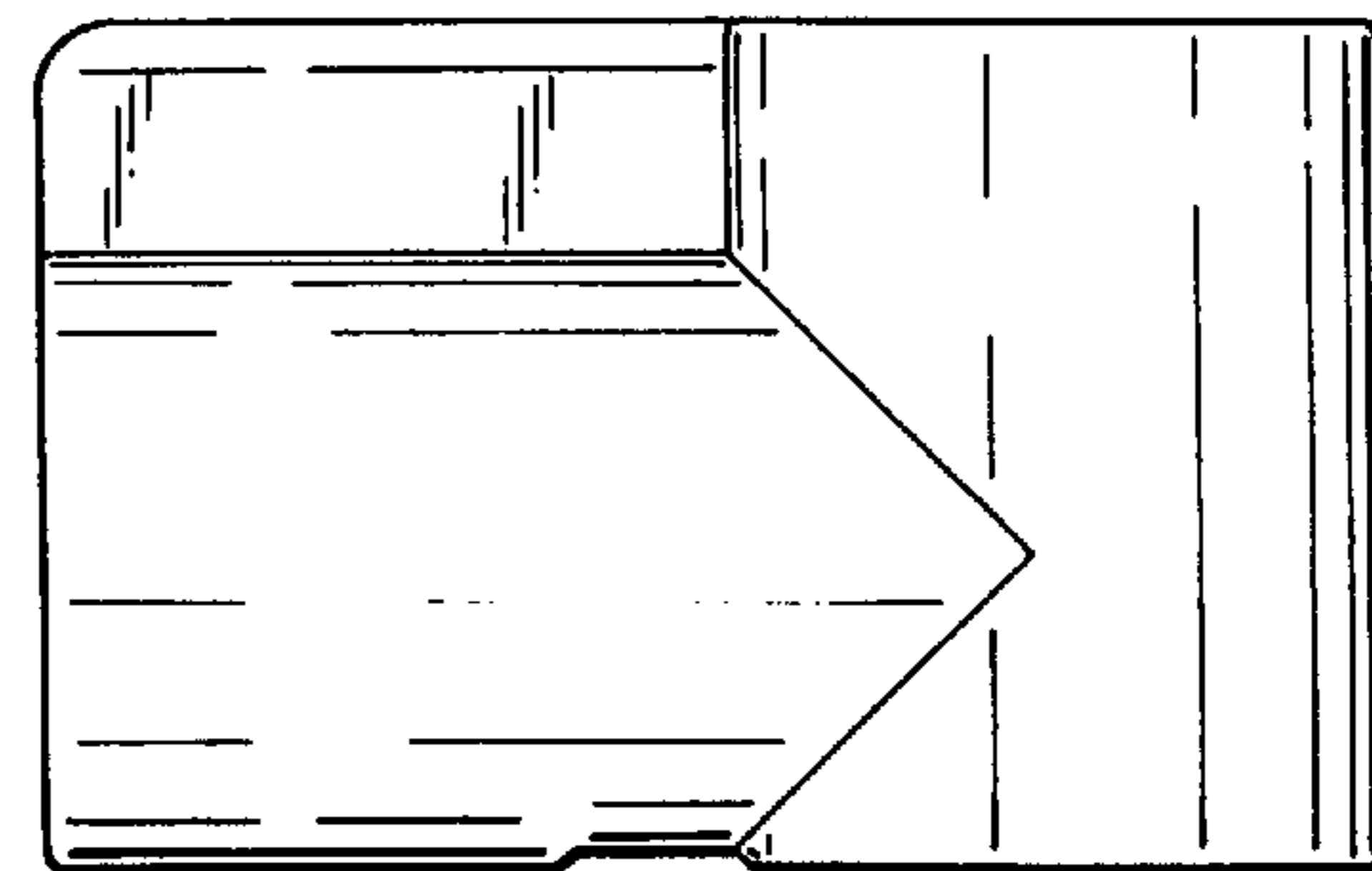


FIG. 8

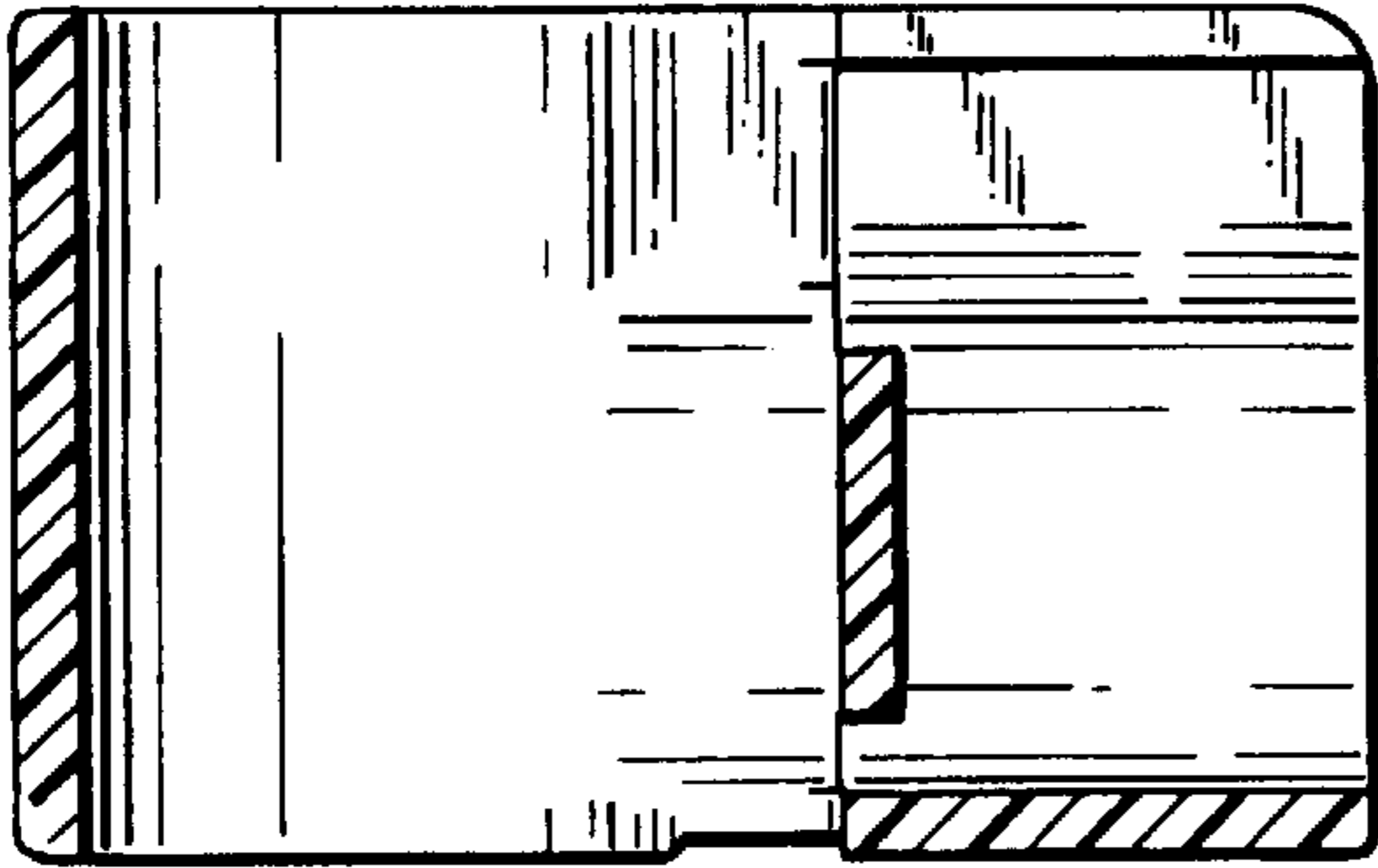


FIG. 9

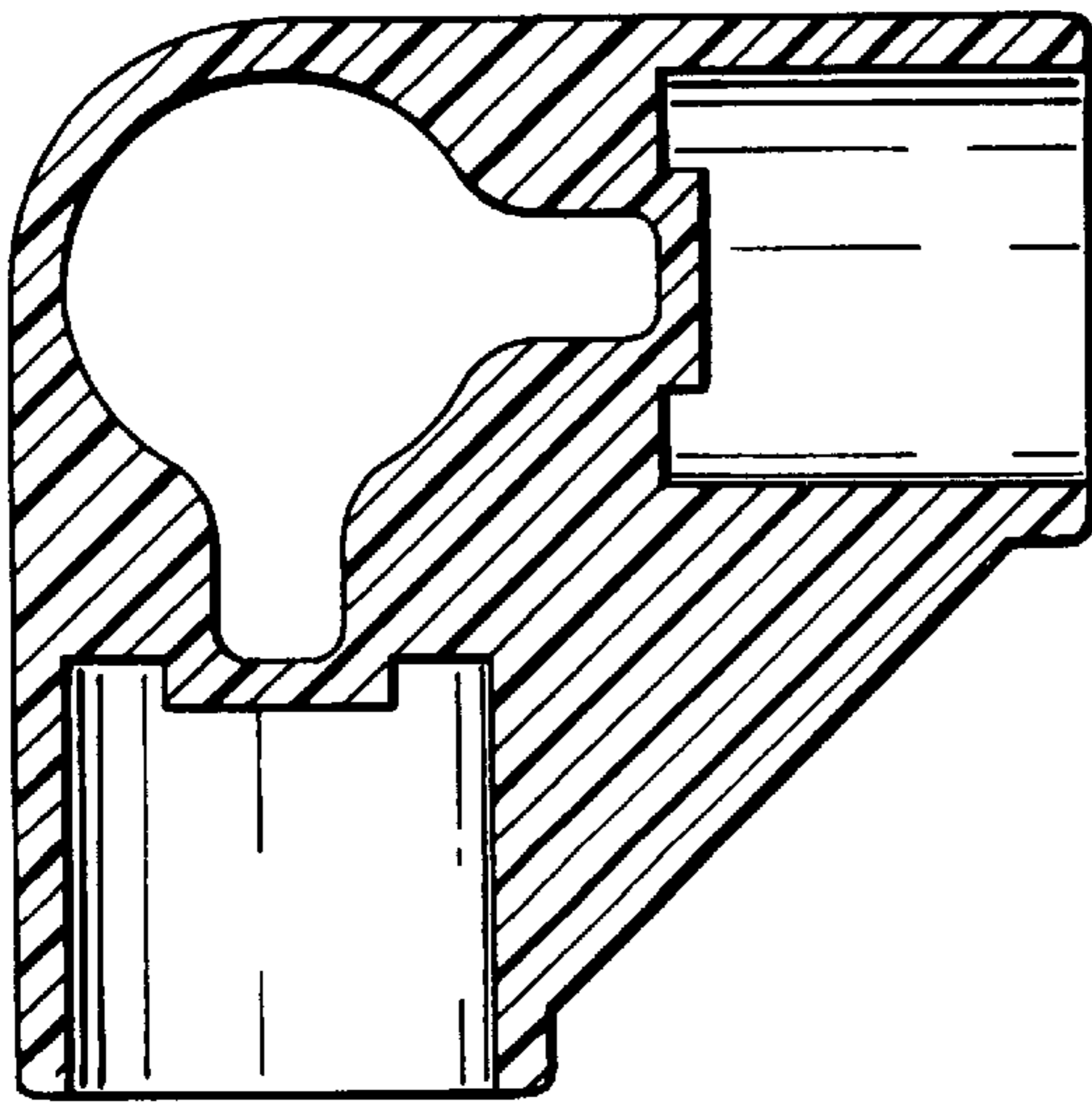


FIG. 10

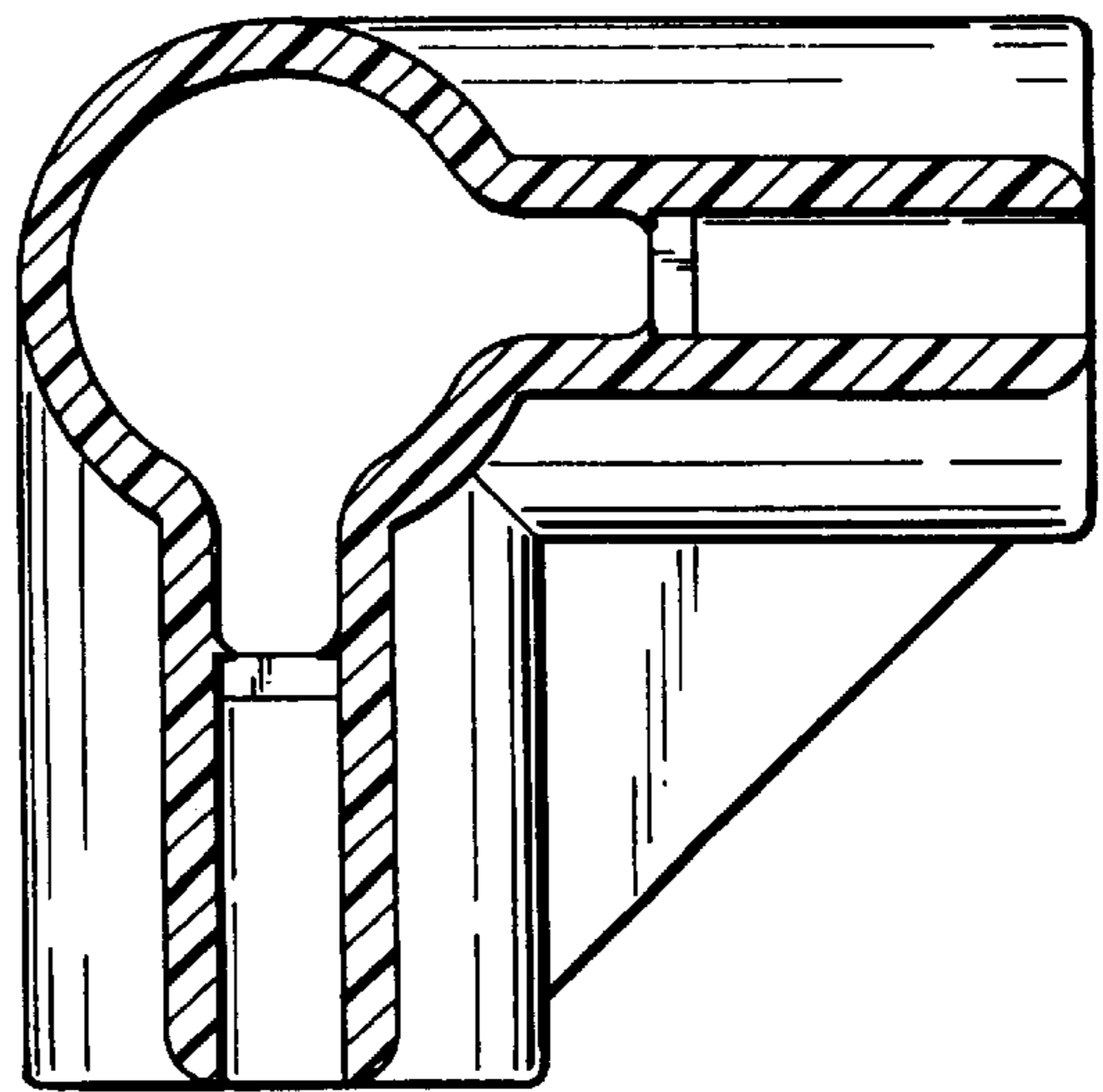


FIG. 11

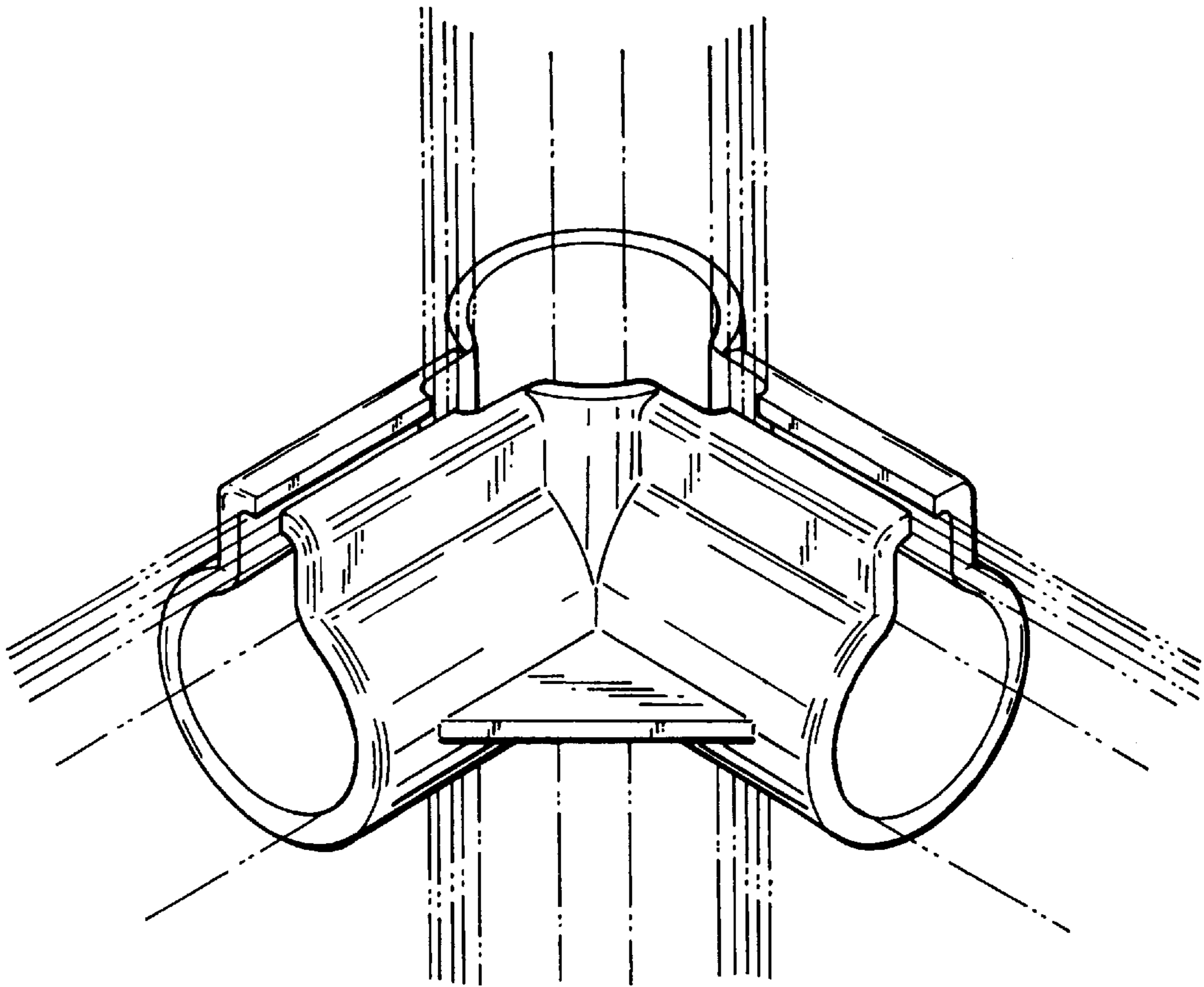


FIG. 12

