



US00D423917S

United States Patent [19]

Remmers et al.

[11] **Patent Number: Des. 423,917**

[45] **Date of Patent: ** May 2, 2000**

[54] **SHELF END BRACKET**

D. 326,603 6/1992 Rogers D8/373
2,651,489 9/1953 Bell 248/265

[75] Inventors: **Lee Remmers; Stephen Budelsky,**
both of Ocala, Fla.

Primary Examiner—Holly Baynham

[73] Assignee: **Emerson Electric Co.,** St. Louis, Mo.

[57] **CLAIM**

[**] Term: **14 Years**

The ornamental design for a shelf end bracket, as shown and described.

[21] Appl. No.: **29/098,949**

DESCRIPTION

[22] Filed: **Jan. 8, 1999**

FIG. 1 is a front perspective view of the shelf end bracket, showing our new design;

[51] **LOC (7) Cl.** **08-05**

FIG. 2 is a front elevation view;

[52] **U.S. Cl.** **D8/380**

FIG. 3 is a side elevation view, the side view opposite of that shown in FIG. 3 is identical to the view shown in FIG. 3;

[58] **Field of Search** D8/363, 380, 354,
D8/349; 248/235, 250–251, 265, 264

FIG. 4 is a bottom plan view; and,

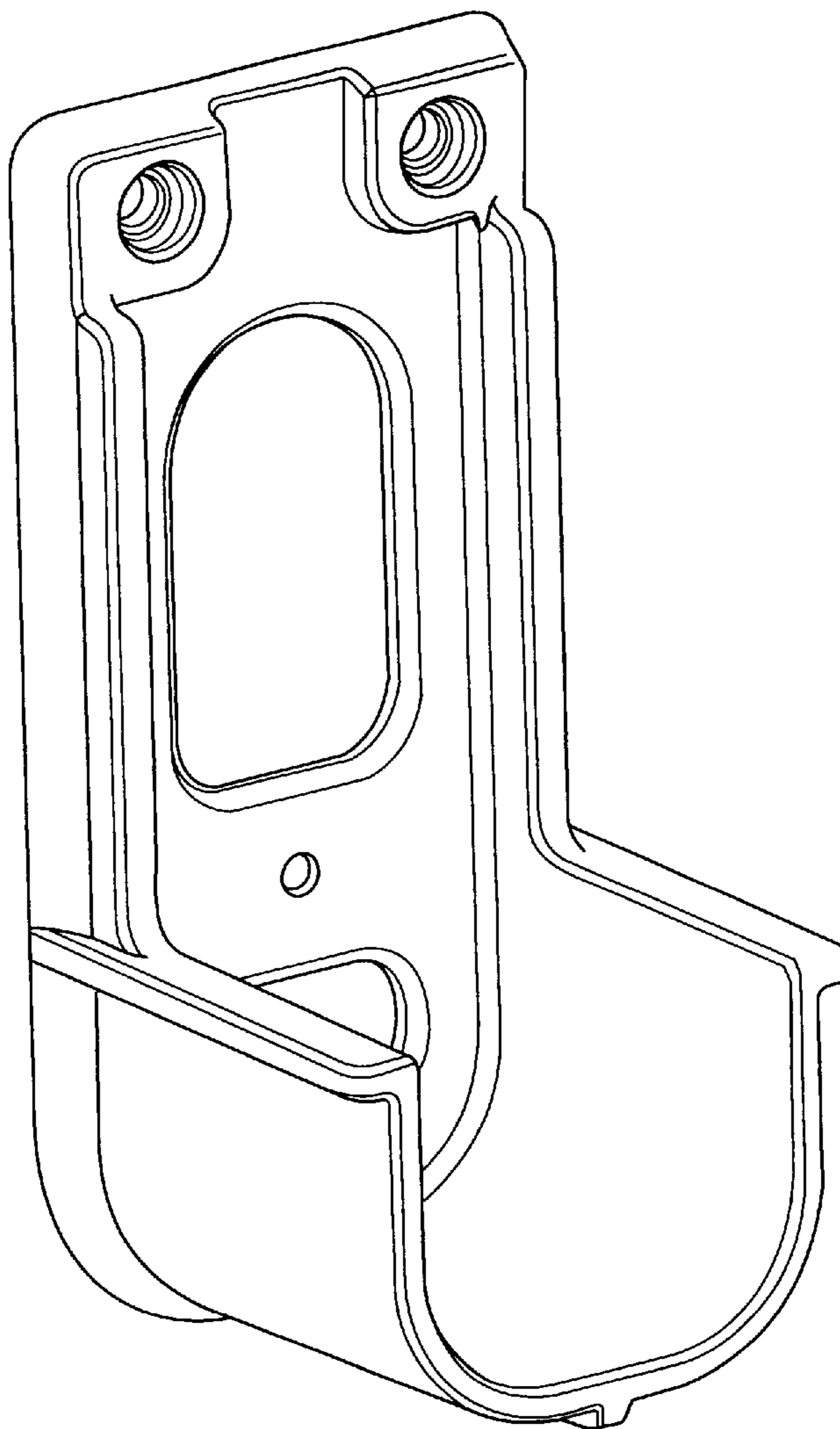
[56] **References Cited**

FIG. 5 is a top plan view.

U.S. PATENT DOCUMENTS

D. 319,573 9/1991 Rogers D8/380

1 Claim, 3 Drawing Sheets



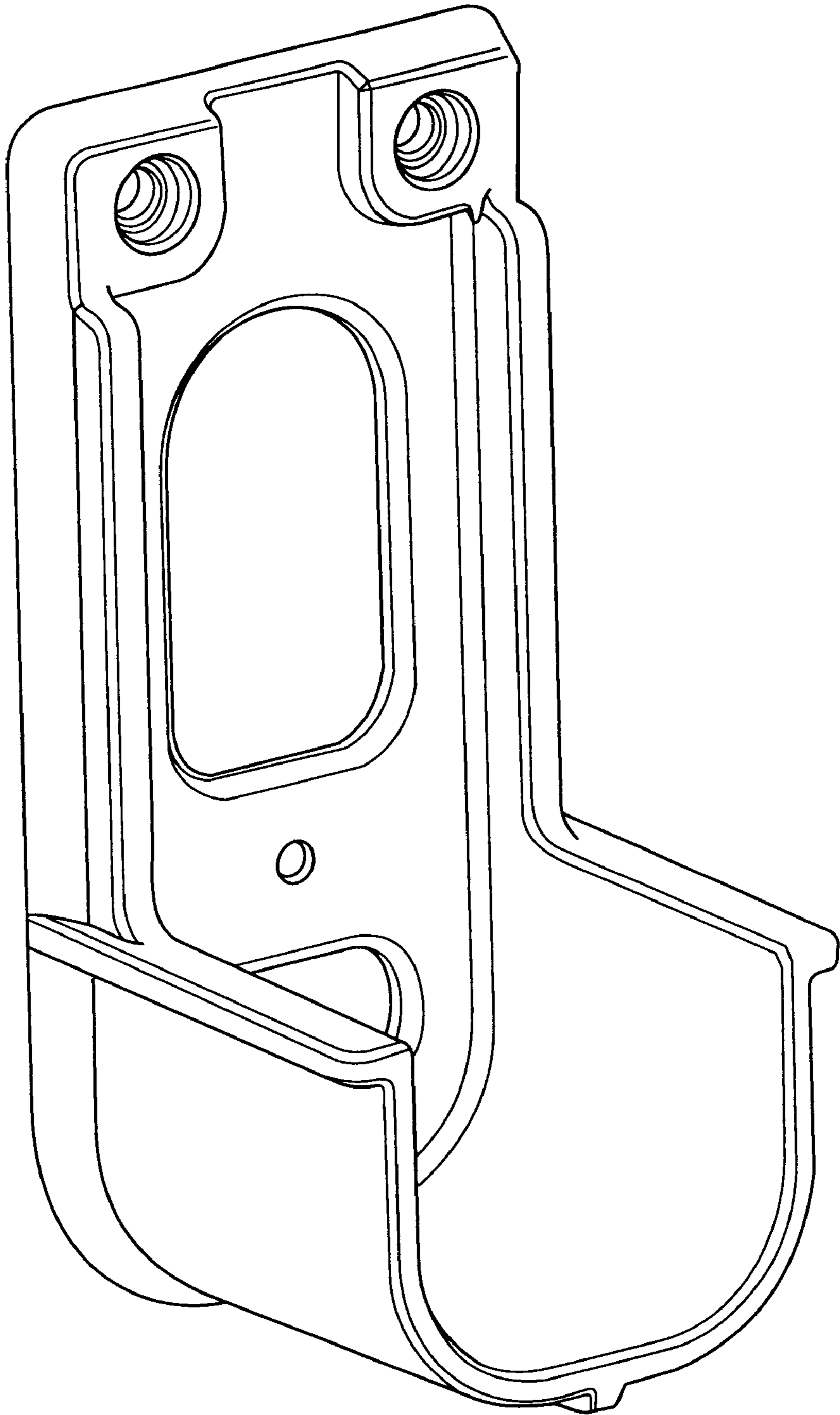


FIG. 1

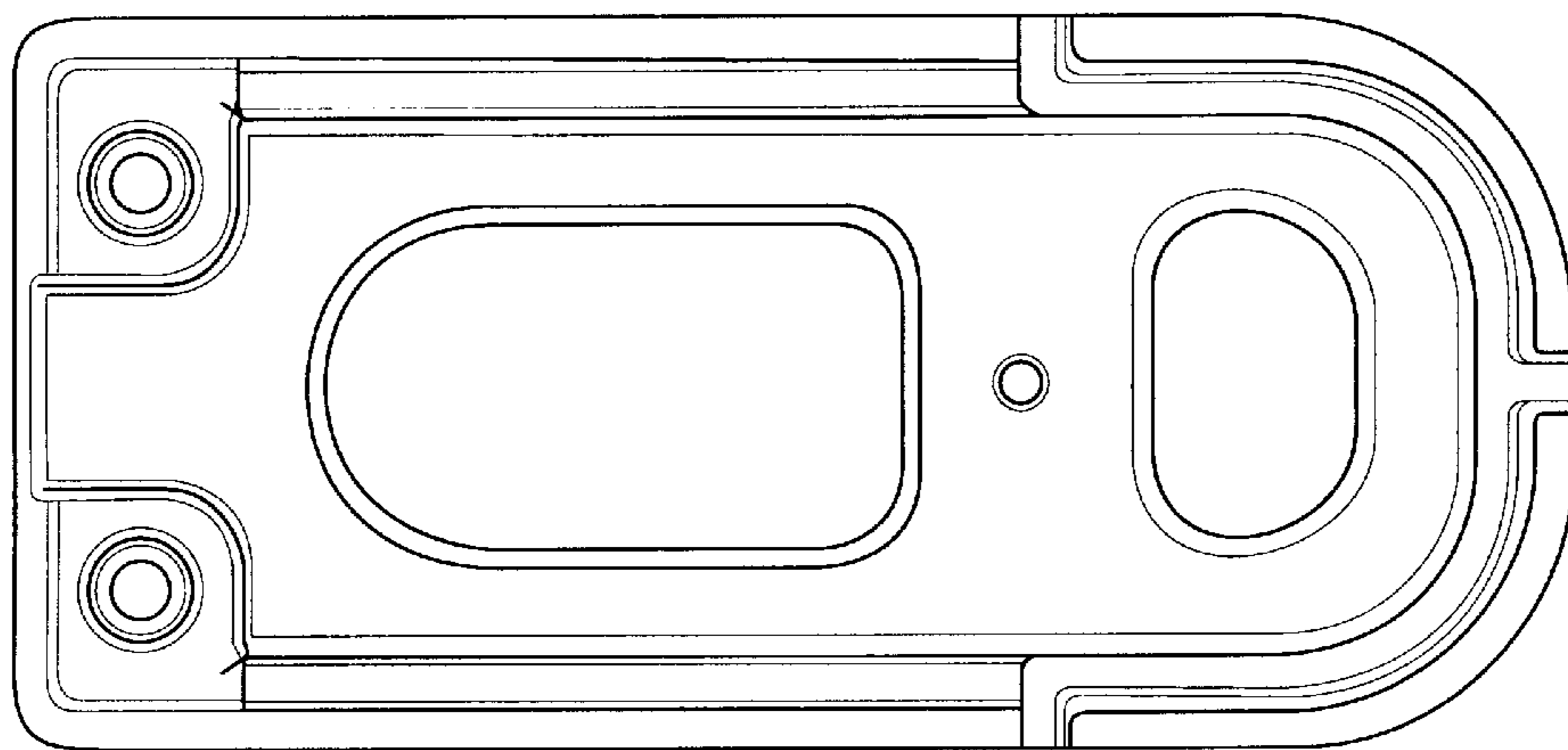


FIG. 2

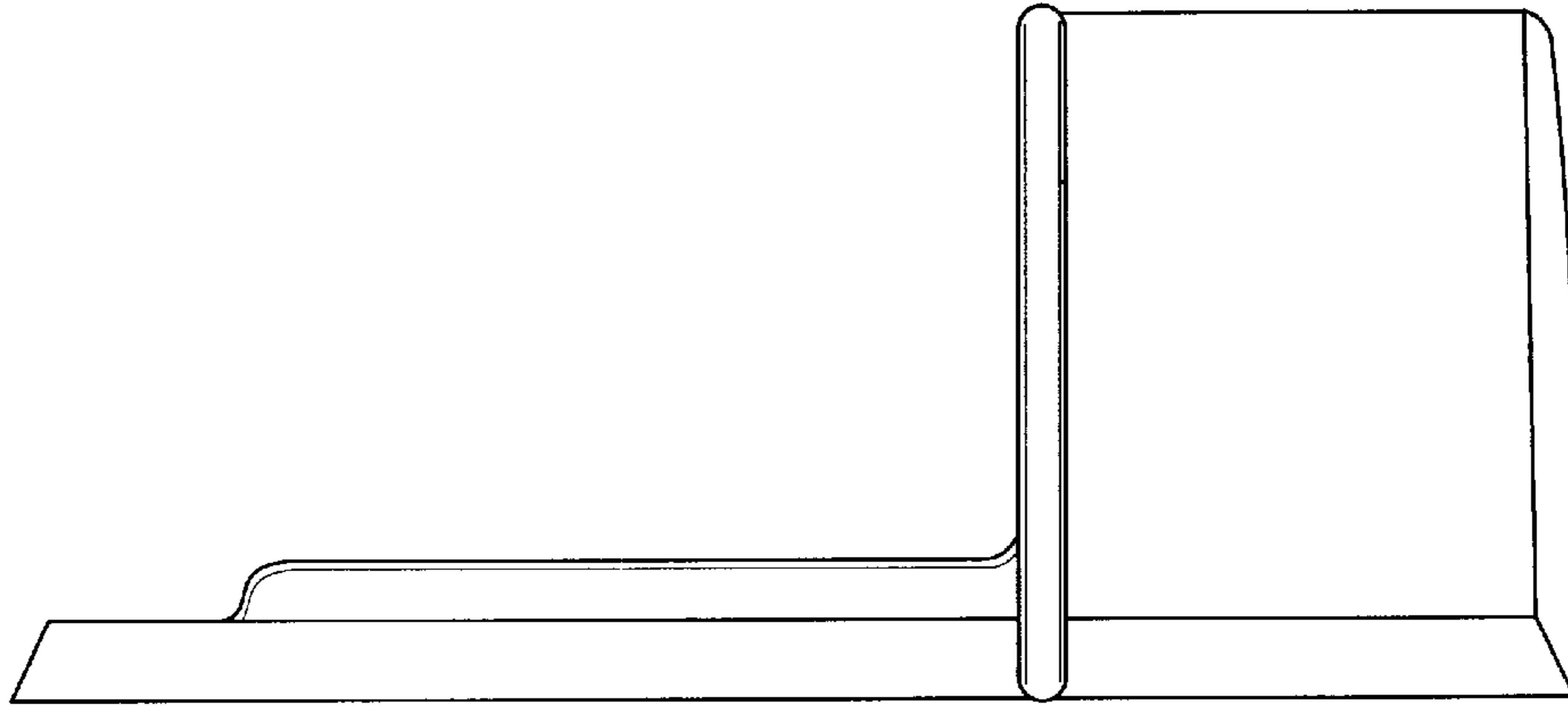


FIG. 3

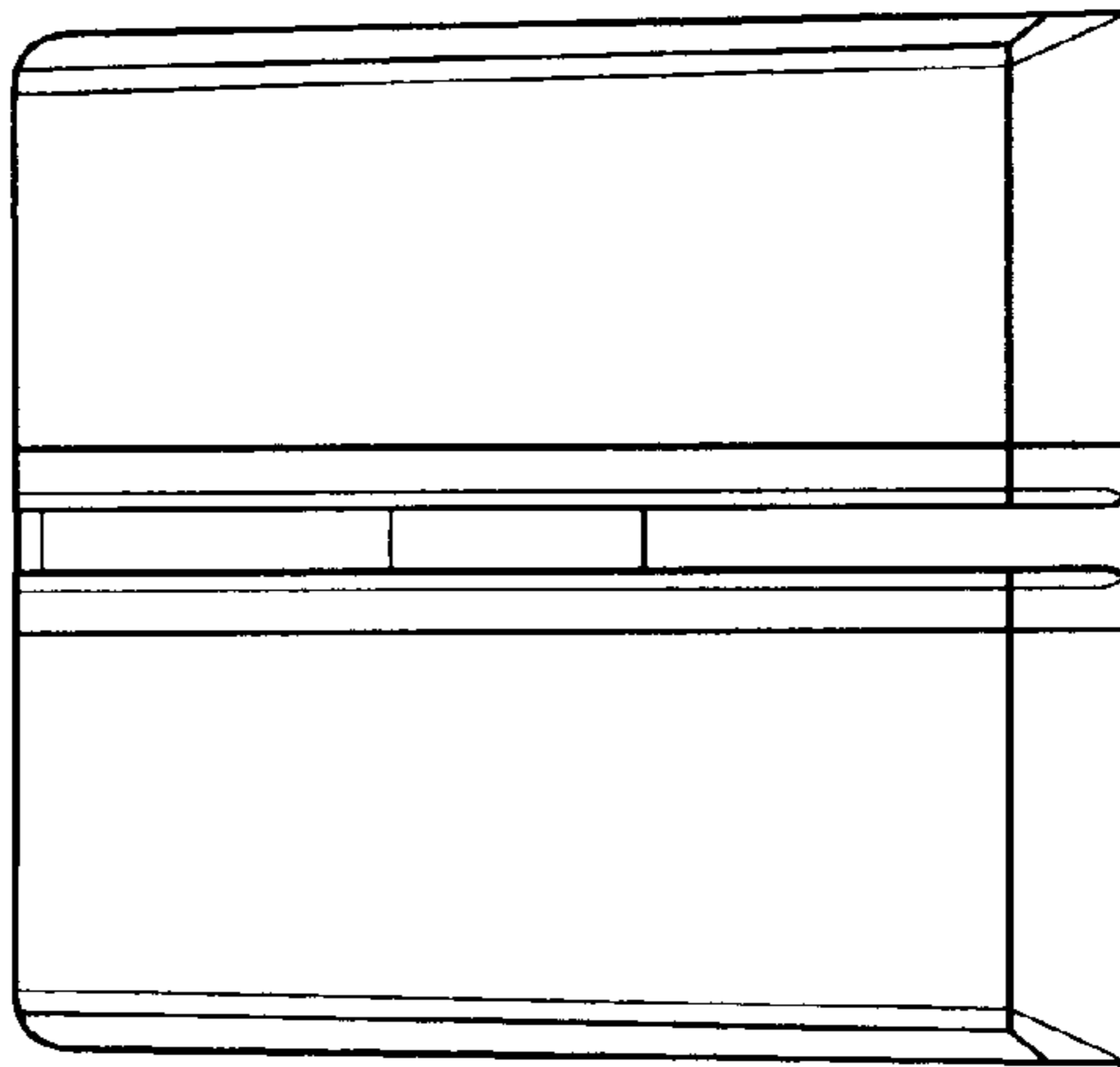


FIG. 4

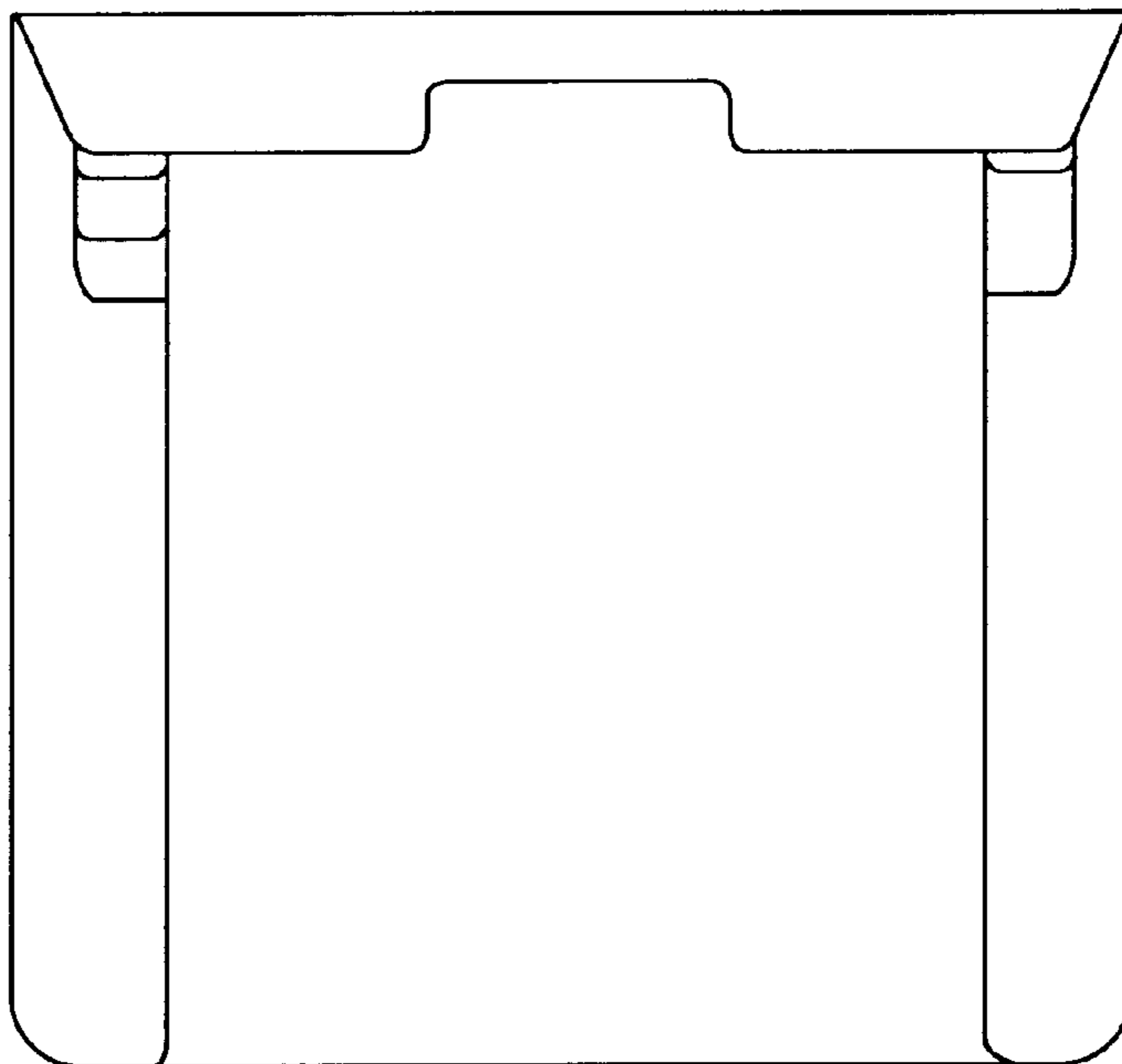


FIG. 5