



US00D423914S

United States Patent [19]

Klein et al.

[11] Patent Number: **Des. 423,914**

[45] Date of Patent: **** May 2, 2000**

[54] **HOOK**
[75] Inventors: **Richard B. Klein**, Overland Park;
Chris Serslev, Leawood; **John W. Scott**, Lenexa, all of Kans.

[73] Assignee: **Lynk, Inc.**, Lenexa, Kans.

[**] Term: **14 Years**

[21] Appl. No.: **29/103,780**

[22] Filed: **Apr. 23, 1999**

[51] **LOC (7) Cl.** **08-05**

[52] **U.S. Cl.** **D8/367**

[58] **Field of Search** D8/367; 248/301,
248/304, 215, 214, 339

1,086,200	2/1914	Michie	211/16
1,305,560	6/1919	Okamoto .	
1,377,444	5/1921	Shoemaker	246/304
2,459,909	1/1949	Alofs	243/363
2,504,910	4/1950	Wellington .	
3,185,427	5/1965	Peras	248/309
3,888,353	6/1975	Leifheit	211/37
4,760,912	8/1988	Vaida	198/678
4,944,480	7/1990	Jarrett	248/309
5,101,989	4/1992	Jones	211/94
5,178,287	1/1993	Klein et al.	211/100
5,558,307	9/1996	Klein et al.	248/309

Primary Examiner—Holly Baynham
Attorney, Agent, or Firm—Shook, Hardy & Bacon LLP

[57] CLAIM

The ornamental design for a hook, as shown and described.

DESCRIPTION

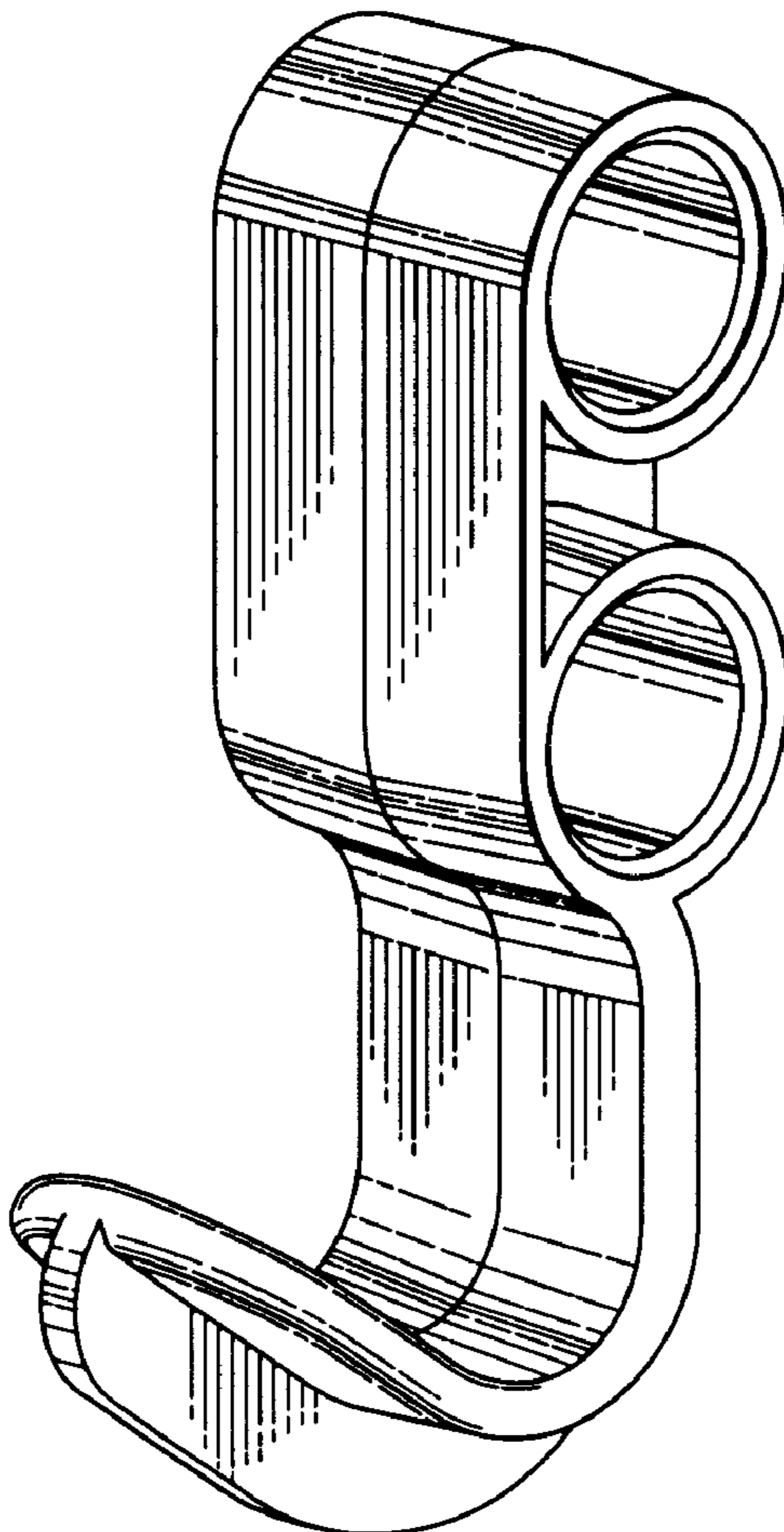
FIG. 1 is a perspective view of a hook according to the present invention;
FIG. 2 is a front view thereof;
FIG. 3 is a right side view of thereof;
FIG. 4 is a left side view thereof;
FIG. 5 is a rear view thereof;
FIG. 6 is a top plan view thereof; and,
FIG. 7 is a bottom plan view thereof.

1 Claim, 1 Drawing Sheet

[56] References Cited

U.S. PATENT DOCUMENTS

239,465	3/1881	Delany .	
D. 281,838	12/1985	Thompson	D6/323
D. 301,807	6/1989	Friedman	D6/323
D. 334,292	3/1993	Klein et al.	D6/317
D. 354,412	1/1995	Emery .	
D. 373,948	9/1996	Etzel et al.	D8/367
D. 384,268	9/1997	Jones	D8/367
D. 388,619	1/1998	Klein et al.	D6/323
D. 397,565	9/1998	Klein et al.	D6/513



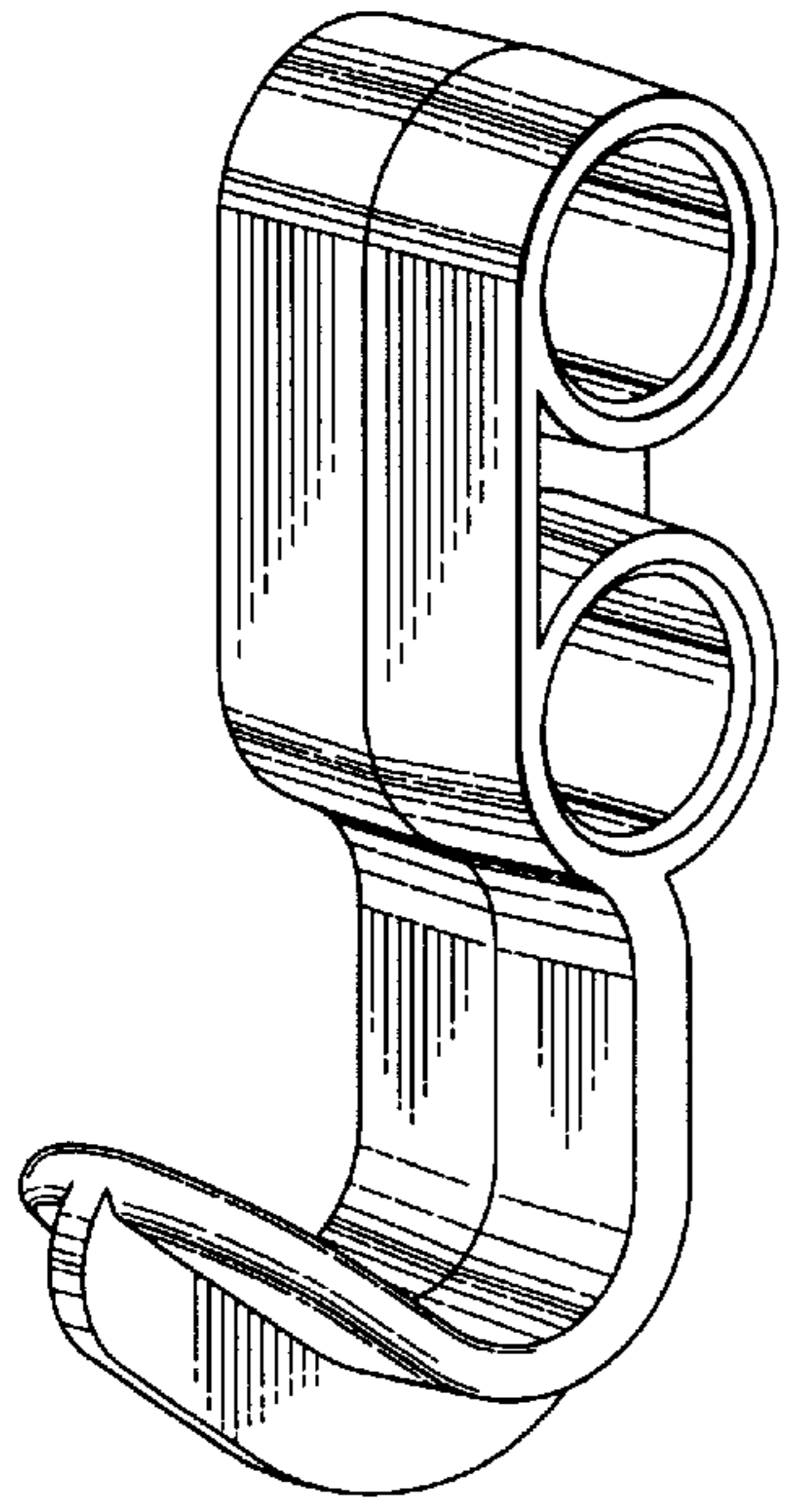


Fig. 1.

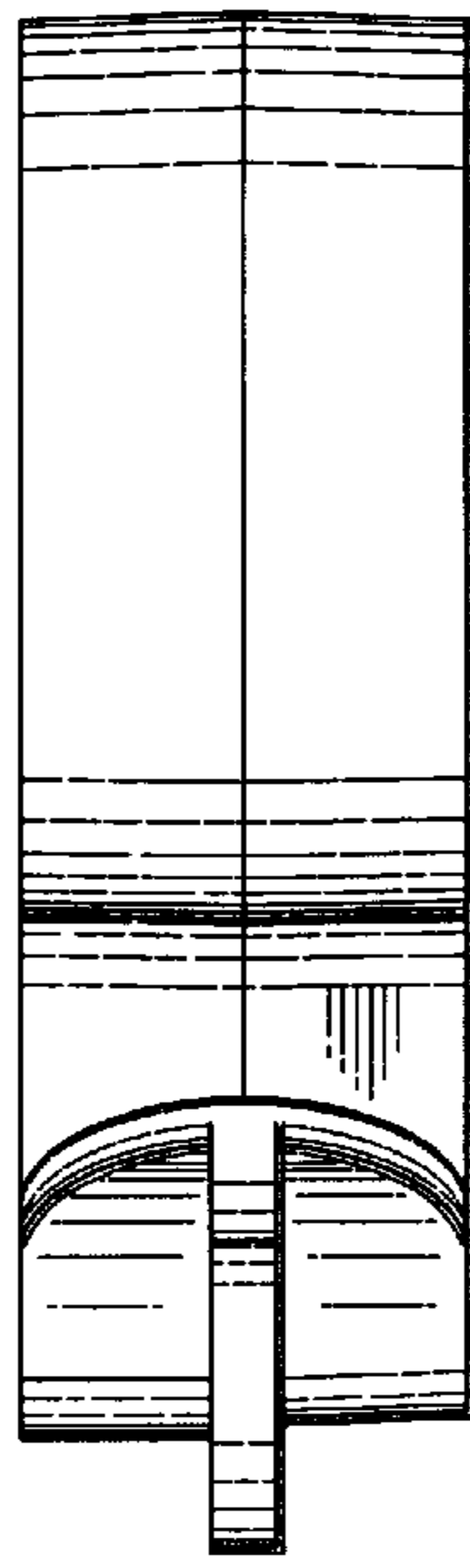


Fig. 2.

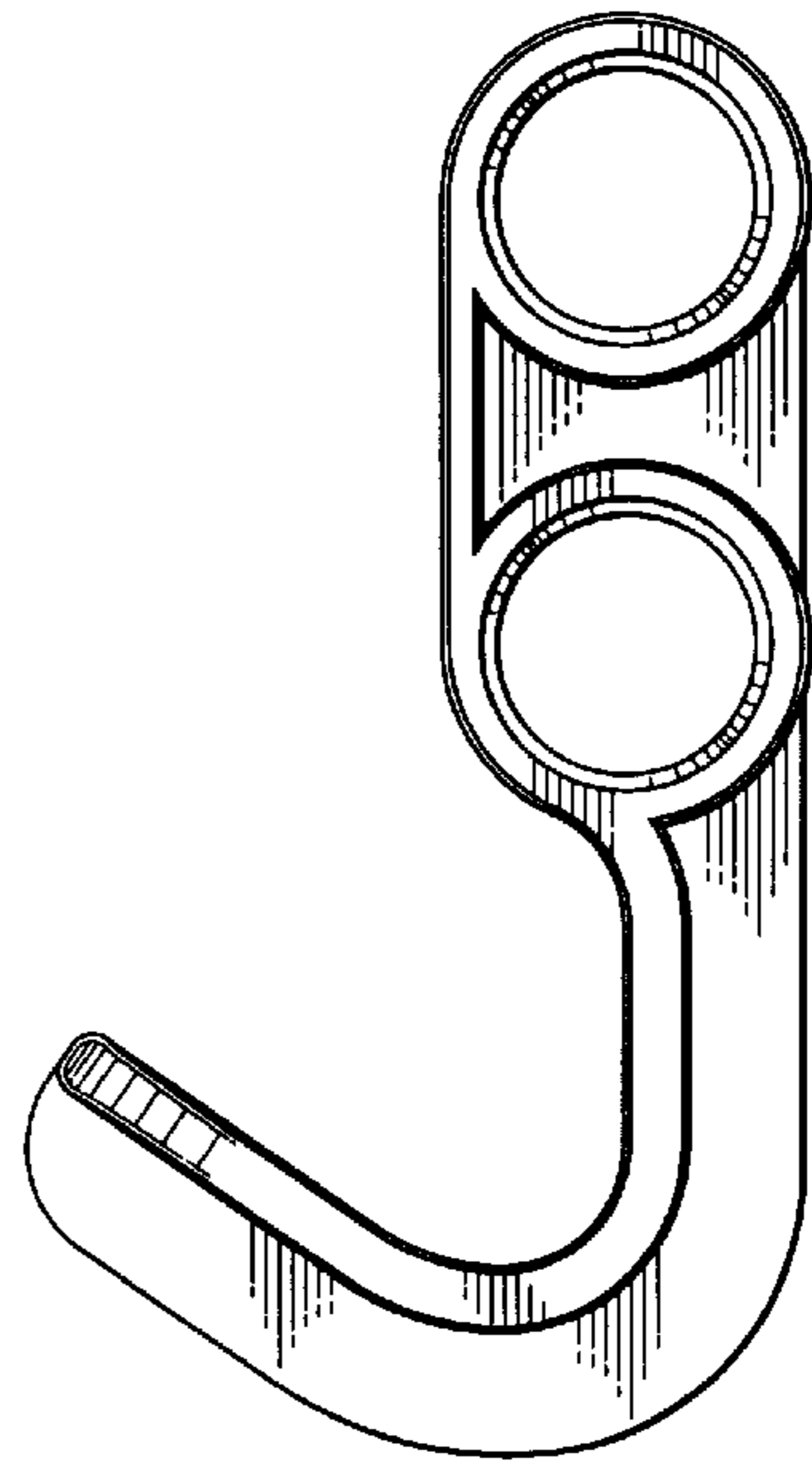


Fig. 3.

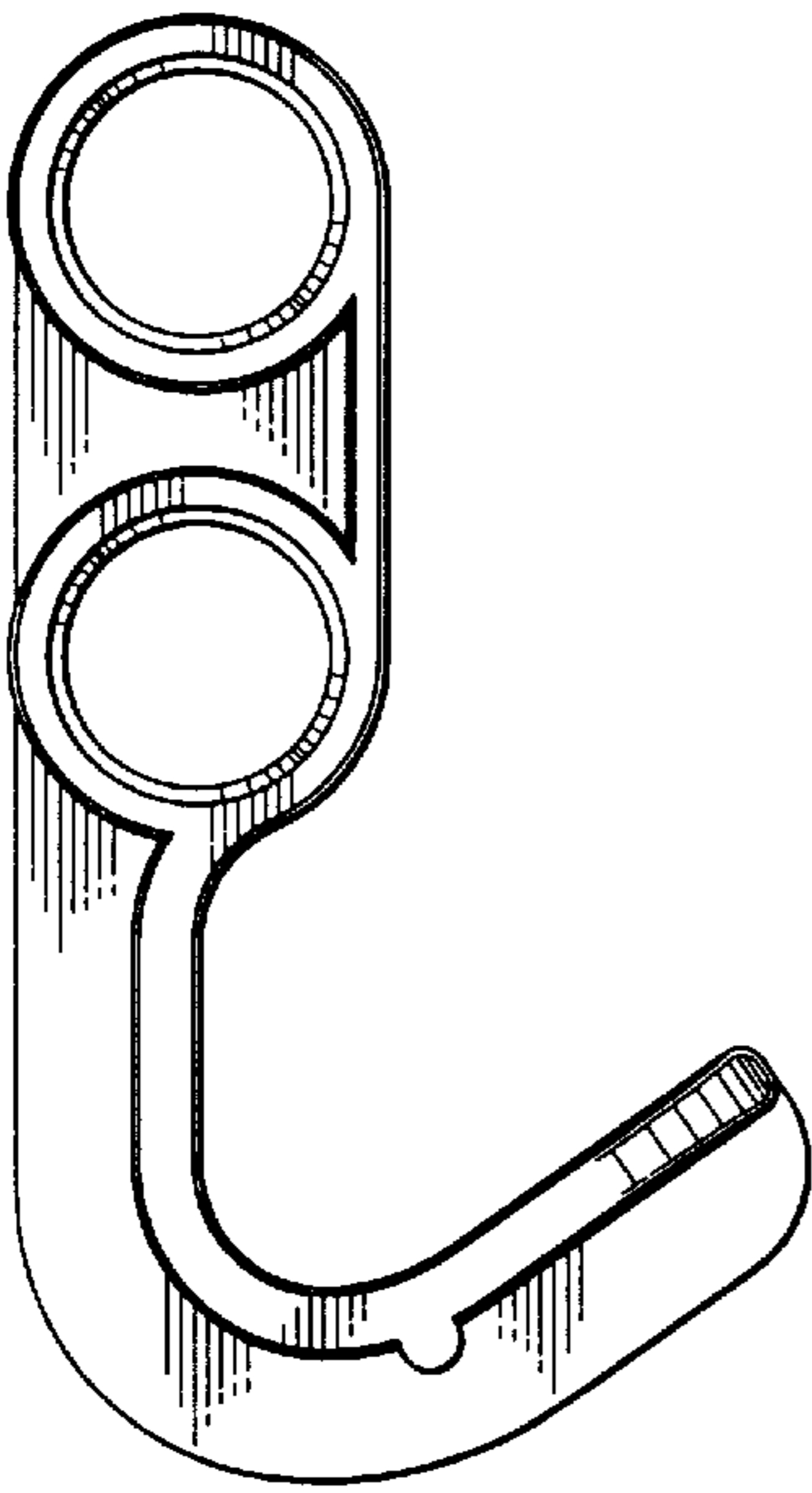


Fig. 4.

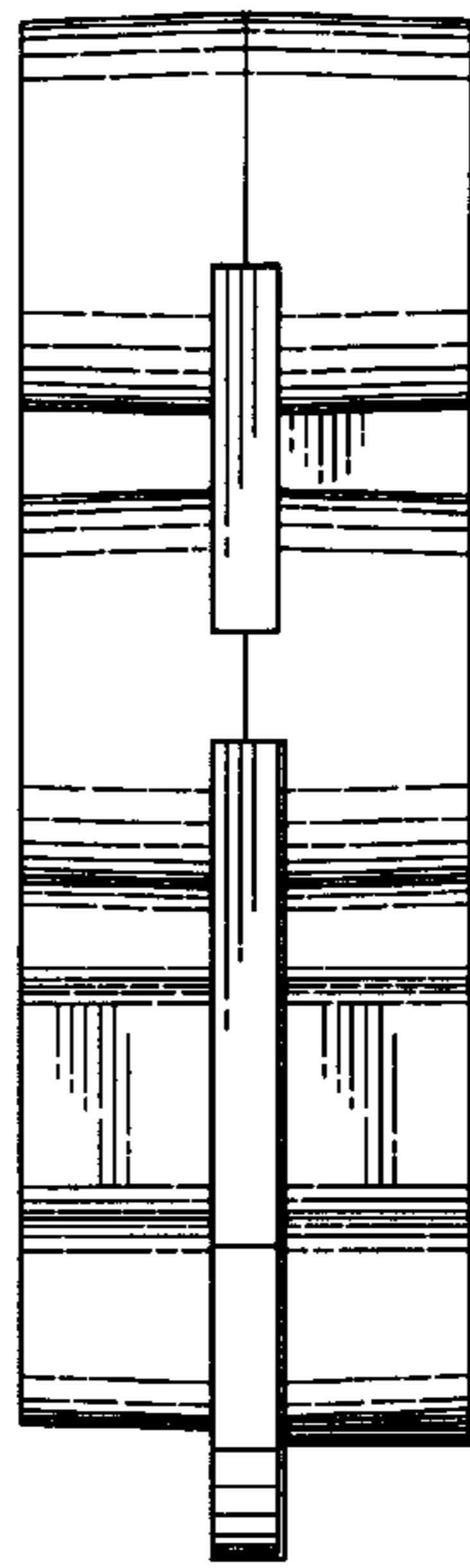


Fig. 5.

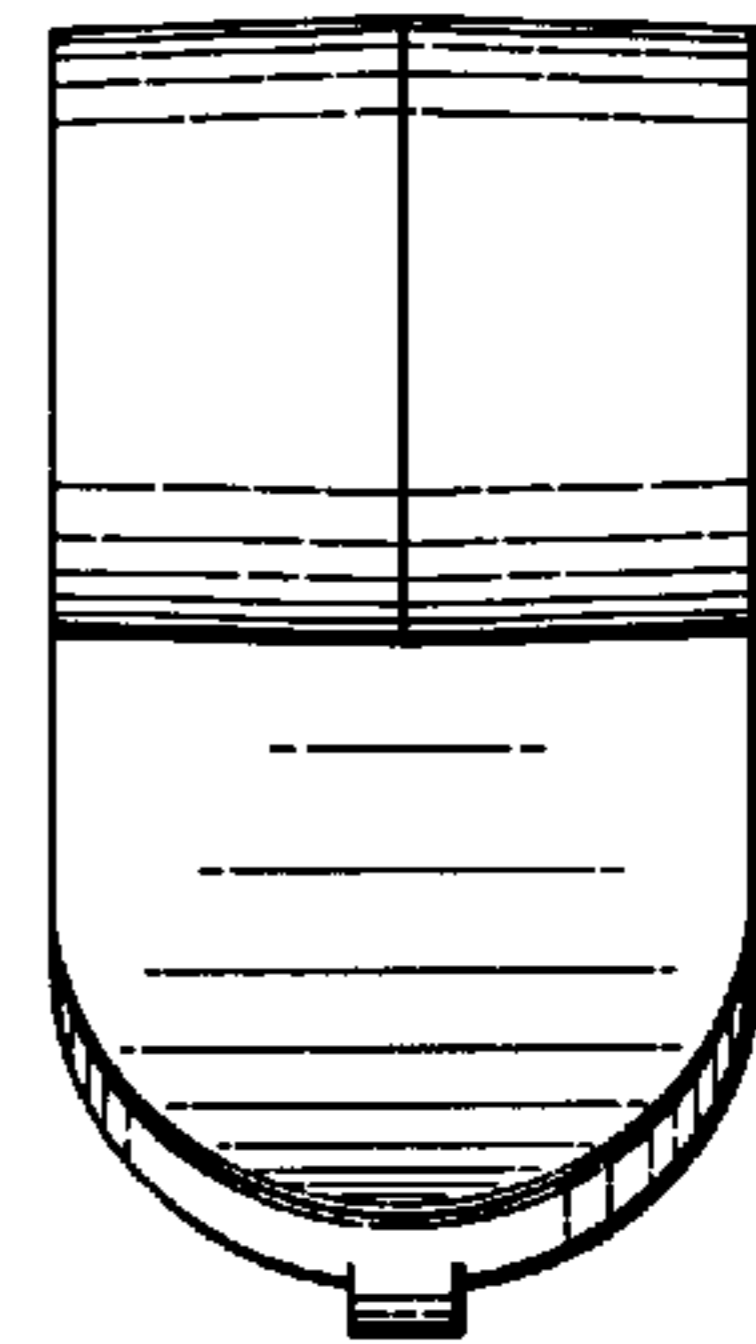


Fig. 6.

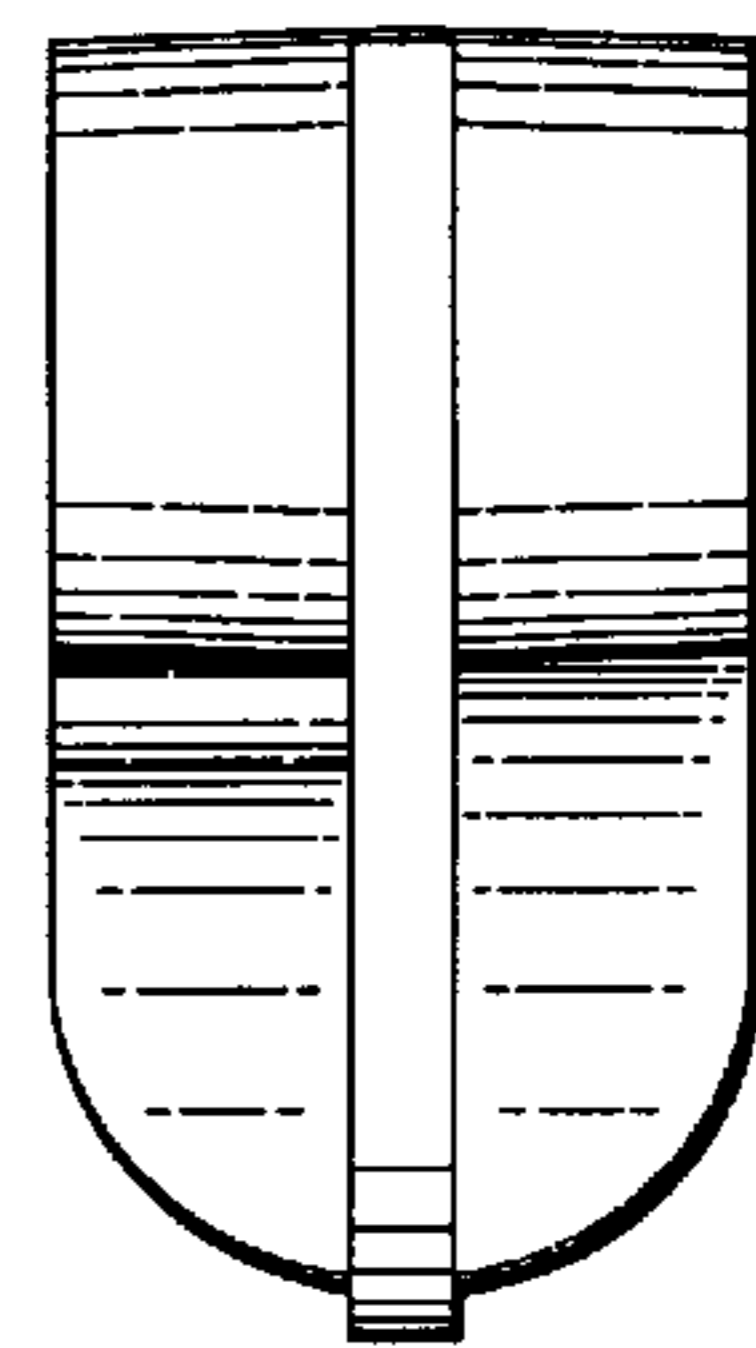


Fig. 7.