



US00D423913S

# United States Patent [19]

Dougan, Jr.

[11] Patent Number: Des. 423,913

[45] Date of Patent: \*\* May 2, 2000

## [54] CABLE RAILING WITH THREAD-CONCEALING TAKE-UP COLLAR

[76] Inventor: **Thomas Dougan, Jr.**, 1828 Port Seabourne Way, Newport Beach, Calif. 92660

[\*\*] Term: **14 Years**

[21] Appl. No.: **29/097,833**

[22] Filed: **Dec. 14, 1998**

[51] LOC (7) Cl. .... **08-05**

[52] U.S. Cl. .... **D8/356**

[58] Field of Search ..... D8/356; 174/153 G, 174/65 G; 24/115 R, 115 H

### [56] References Cited

#### U.S. PATENT DOCUMENTS

D. 299,310 1/1989 Fildan ..... D8/356  
2,994,933 8/1961 Wolfe ..... 174/153 G X

*Primary Examiner*—Holly Baynham  
*Attorney, Agent, or Firm*—Eric Karich

### [57] CLAIM

The ornamental design for a “cable railing with thread-concealing take-up collar,” as shown and described.

#### DESCRIPTION

FIG. 1 is a front elevational view of a cable railing with

thread-concealing take-up collar, showing my new design, the rear elevational view, the top plan view, and the bottom plan view being mirror images thereof;

FIG. 2 is a left side elevation view thereof;

FIG. 3 is a right side elevation view thereof;

FIG. 4 is a front elevational view of the take-up collar;

FIG. 5 is a left side elevation view thereof;

FIG. 6 is a right side elevation view thereof;

FIG. 7 is a front elevational view of the cable railing with an alternative thread-concealing take-up collar, the rear elevational view, the top plan view, and the bottom plan view being mirror images thereof;

FIG. 8 is a left side elevation view thereof;

FIG. 9 is a right side elevation view thereof;

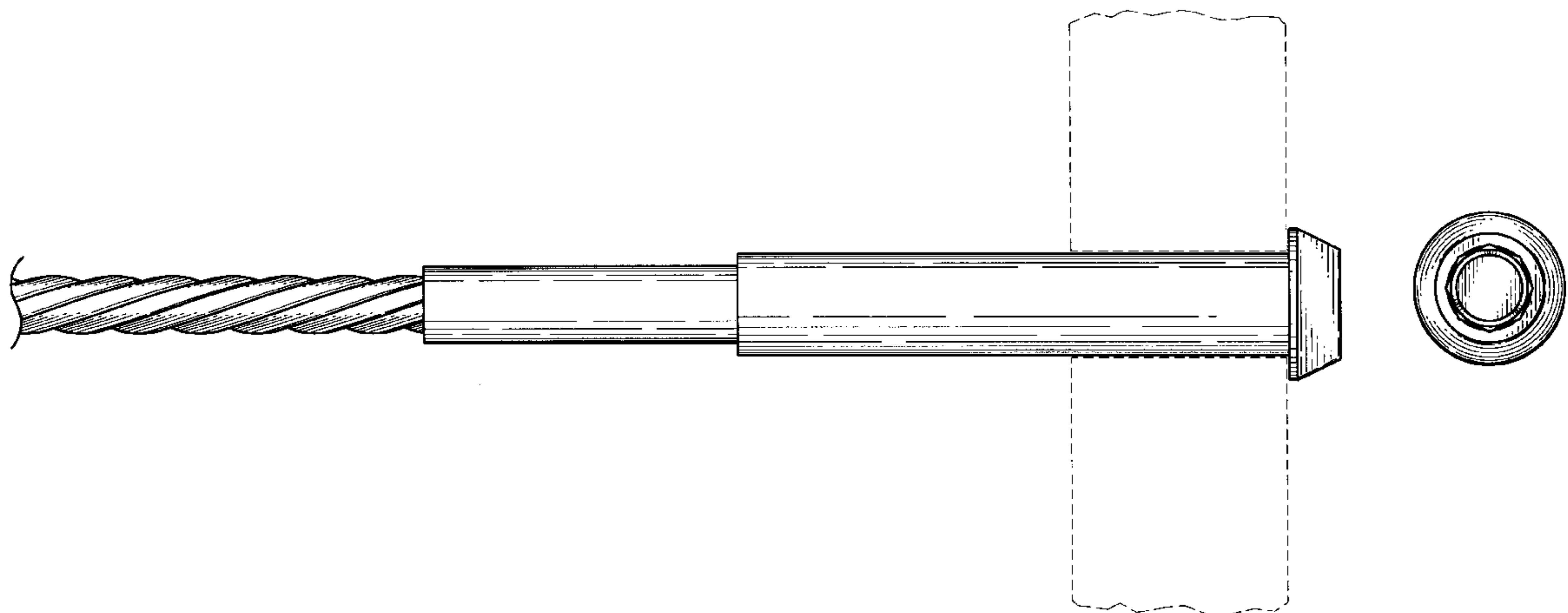
FIG. 10 is a front elevational view of the alternative take-up collar;

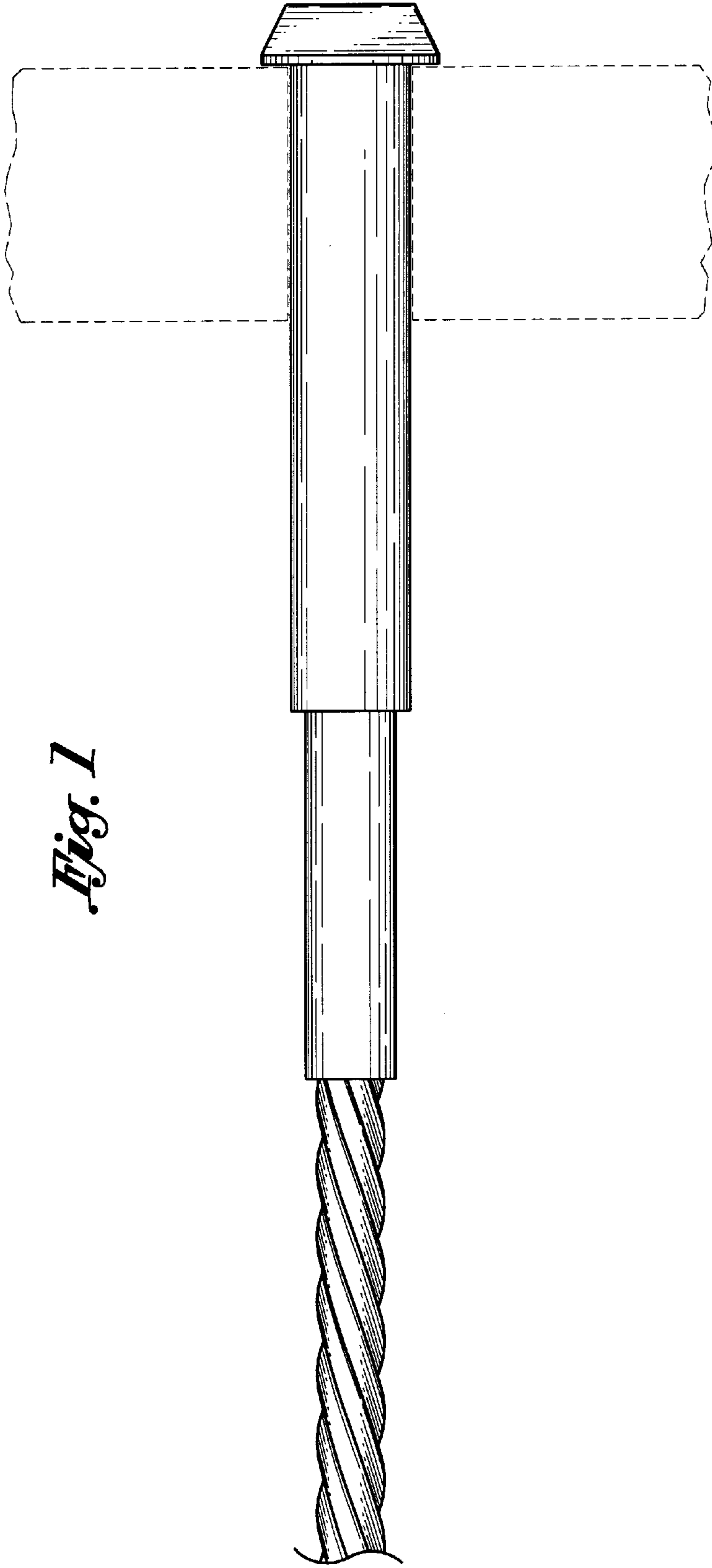
FIG. 11 is a left side elevation view thereof; and,

FIG. 12 is a right side elevation view thereof.

The broken line drawing of a partial structure is for illustrative purposes only and forms no part of the claimed design. The elements of the claimed design are shown separately for clarity of illustration. The cable in FIGS. 1 and 7 are shown broken away to show that the continuation is in design uniform along any length.

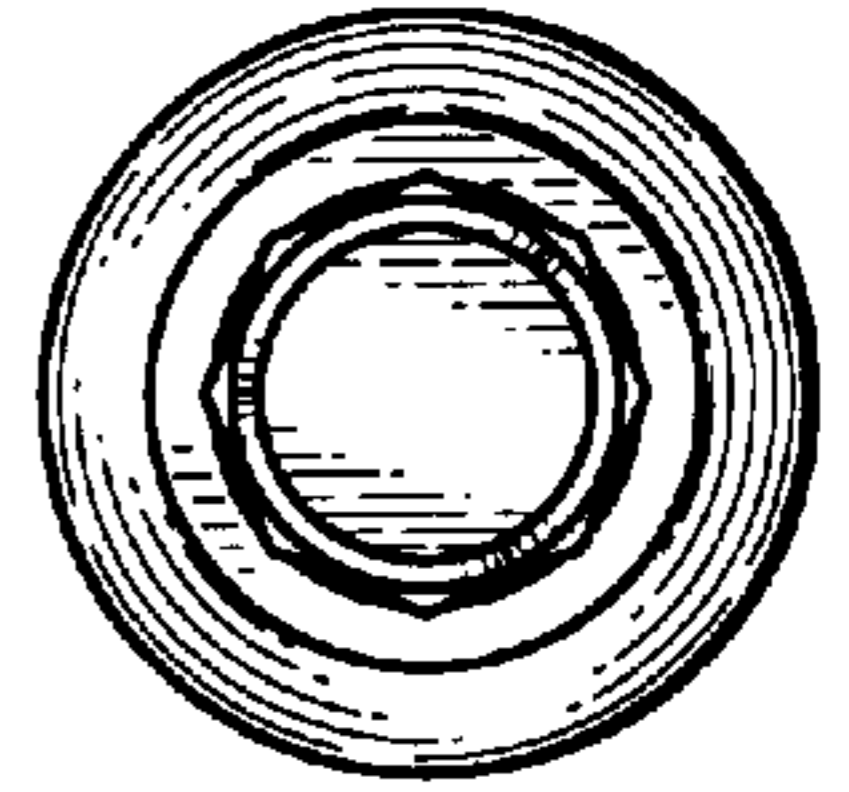
1 Claim, 4 Drawing Sheets



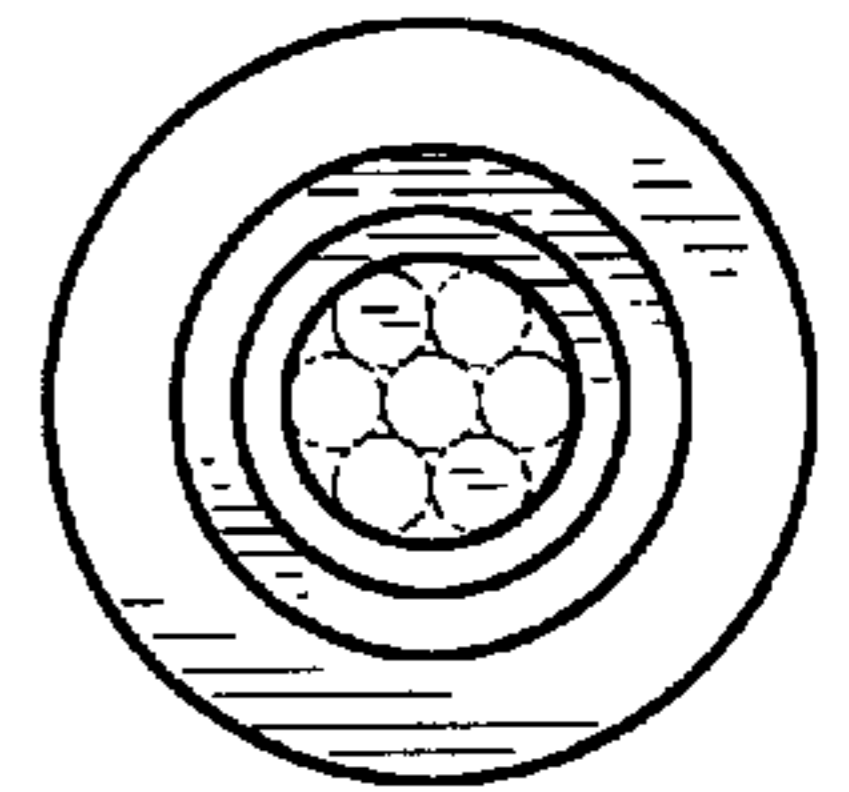


*Fig. 1*

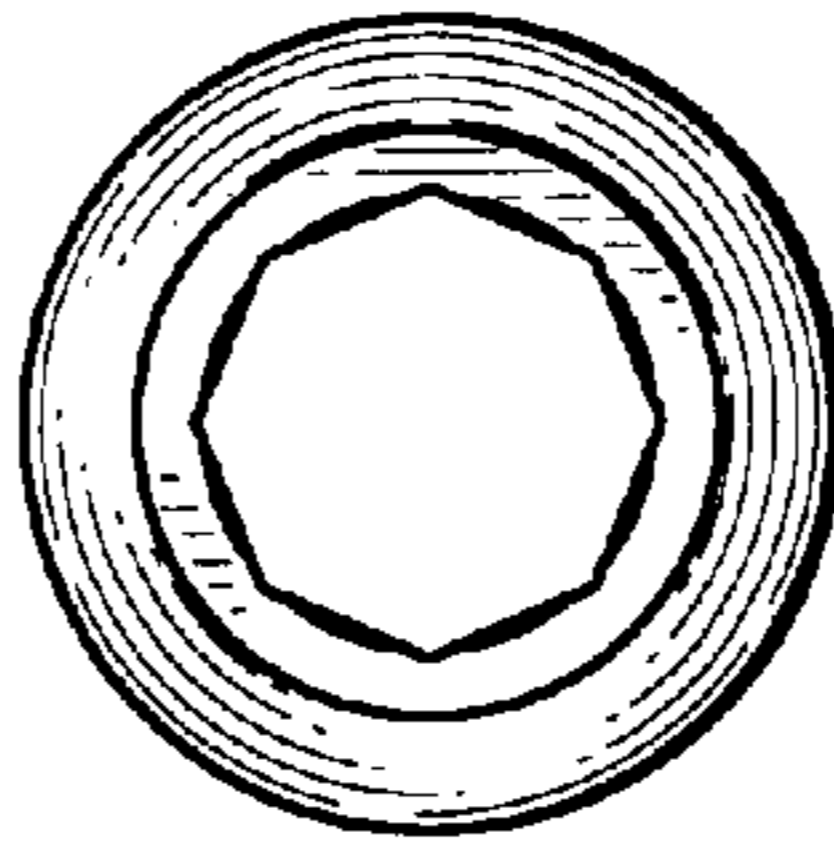
*Fig. 3*



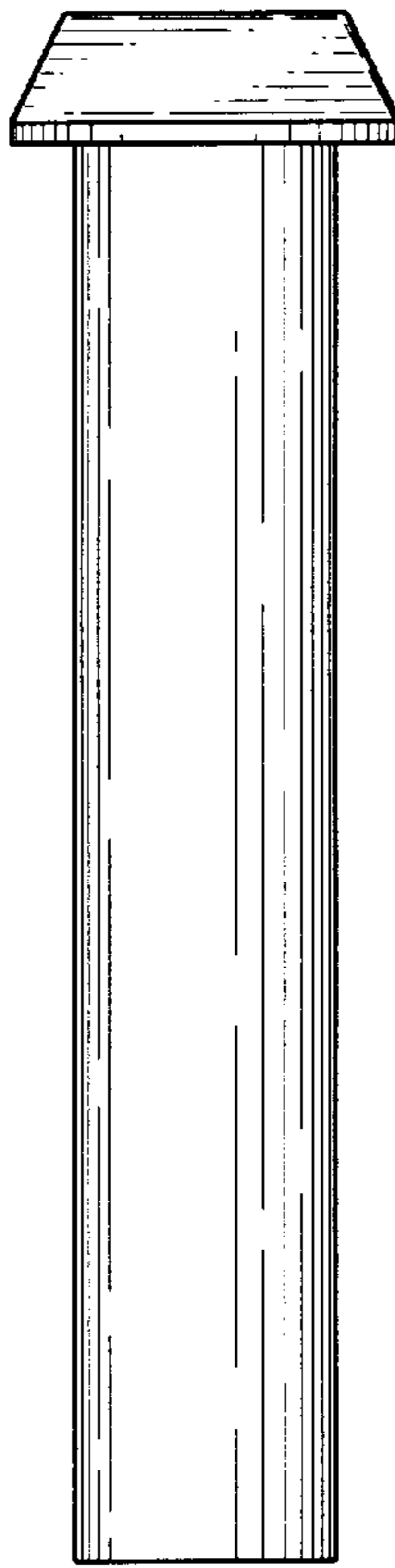
*Fig. 2*



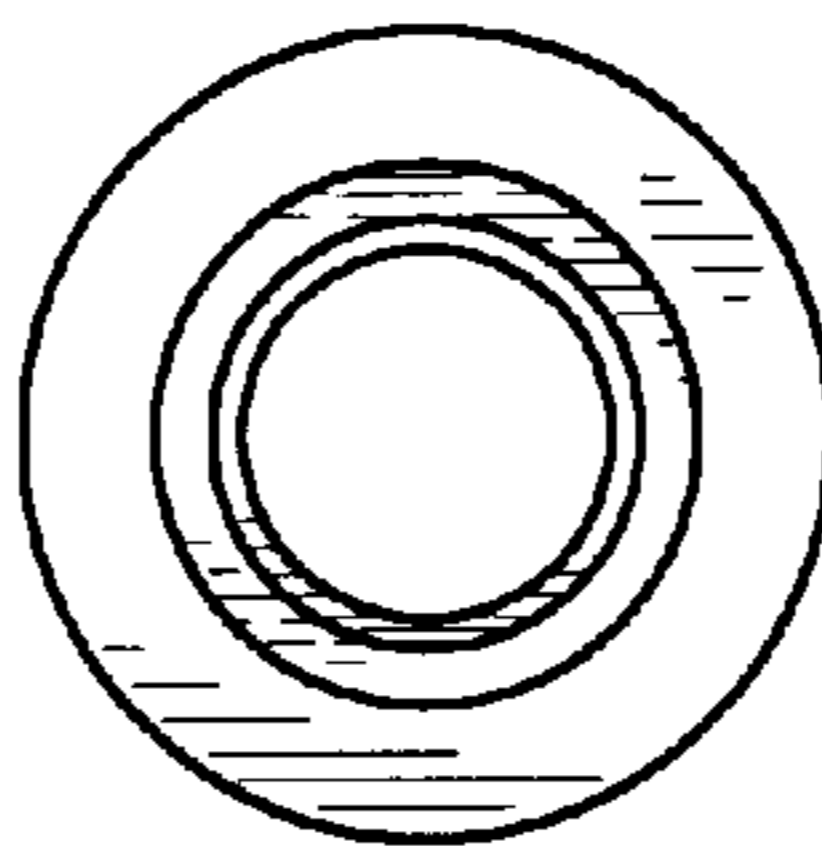
*Fig. 6*

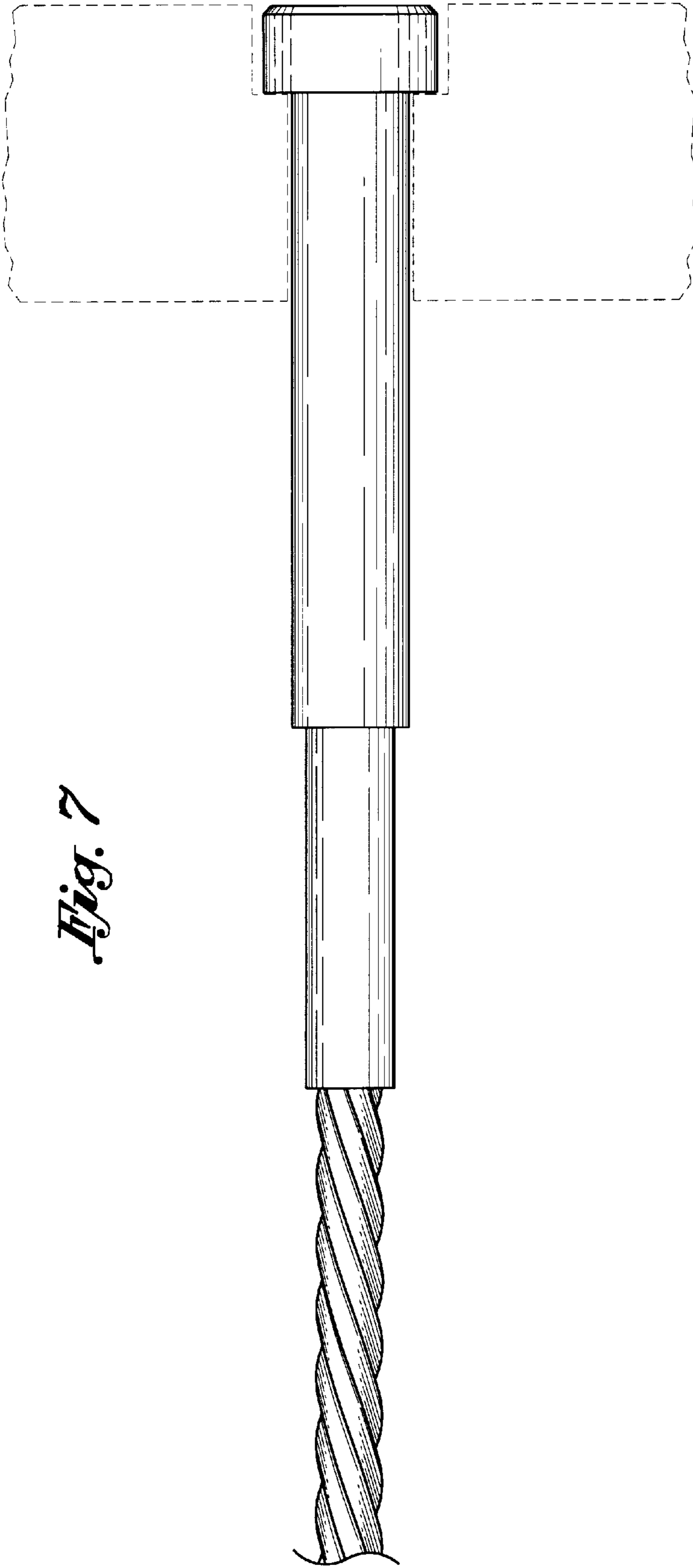


*Fig. 4*



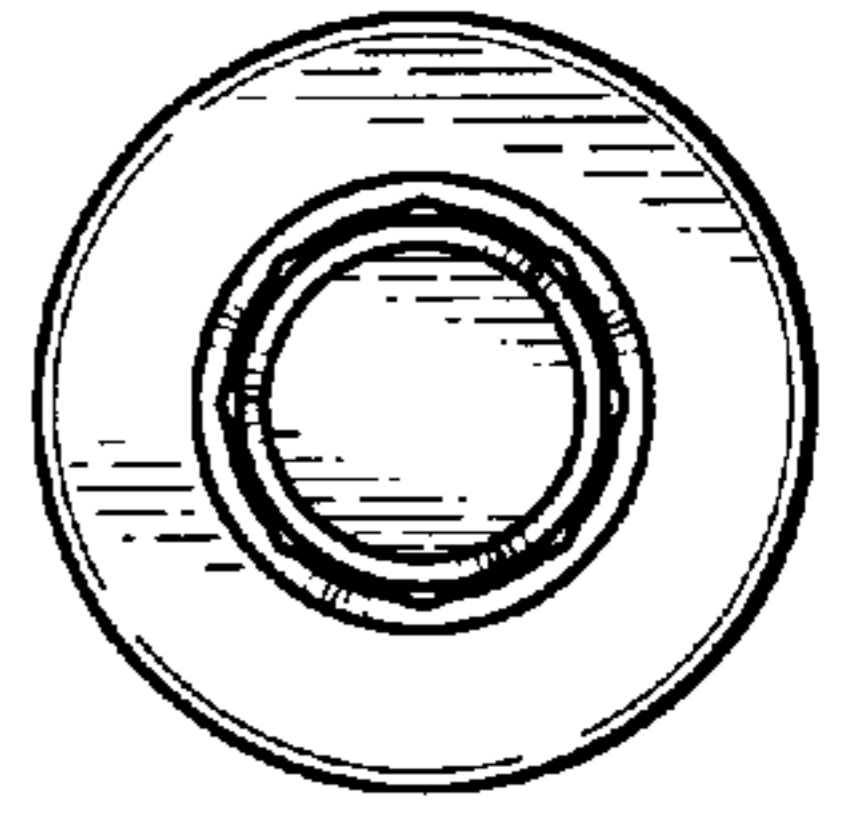
*Fig. 5*



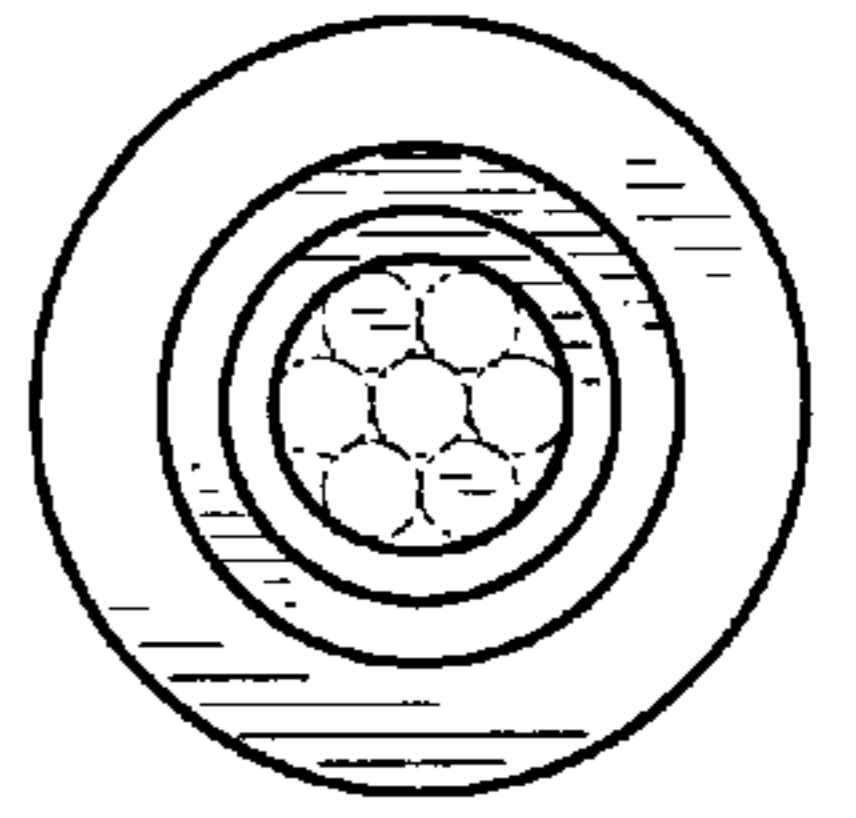


*Fig. 7*

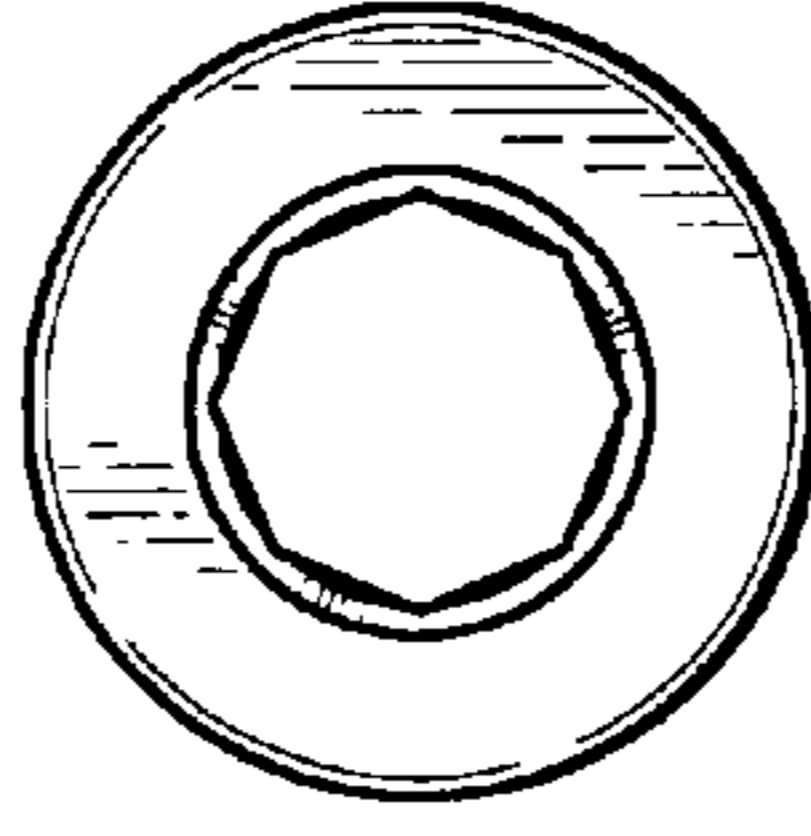
*Fig. 9*



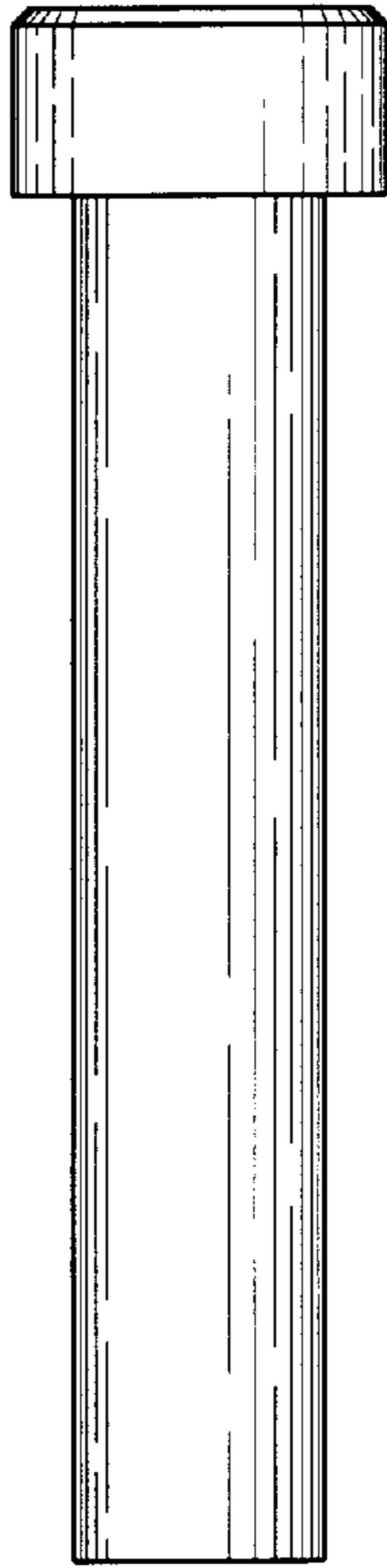
*Fig. 8*



*Fig. 12*



*Fig. 10*



*Fig. 11*

