



US00D423910S

United States Patent [19] Cyrell

[11] Patent Number: **Des. 423,910**

[45] Date of Patent: **** May 2, 2000**

[54] **EQUIPMENT MOUNT**

[75] Inventor: **Alexander Cyrell**, Paradise Valley, Ariz.

[73] Assignee: **OmniMount Systems, Inc.**, Phoenix, Ariz.

[**] Term: **14 Years**

[21] Appl. No.: **29/103,594**

[22] Filed: **Apr. 16, 1999**

D. 380,139	6/1997	Scott et al.	D8/349
5,310,152	5/1994	O'Neill .	
5,400,993	3/1995	Hamilton .	
5,709,359	1/1998	Riley	248/201

Primary Examiner—Holly Baynham
Attorney, Agent, or Firm—Gallagher & Kennedy

[57] **CLAIM**

An ornamental design for an equipment mount, as shown and described.

DESCRIPTION

FIG. 1 is a fragmentary perspective view of the equipment mount showing my new design.

FIG. 2 is an enlarged fragmentary left side elevation view of the mount of FIG. 1.

FIG. 3 is a fragmentary top plan view of the mount of FIG. 1; and,

FIG. 4 is a fragmentary bottom plan view of the mount of FIG. 1.

The right side view of the mount of FIG. 1 is identical to the left side view of FIG. 2. Parts shown in broken lines are shown for environment and do not form a part of the design of my invention. The mount is shown broken away indicating the continuation of the broken element for a length thereof that may vary.

Related U.S. Application Data

[62] Division of application No. 08/579,868, Dec. 28, 1995, which is a continuation of application No. 09/055,600, Apr. 6, 1998, which is a continuation-in-part of application No. 08/579,868, Dec. 28, 1995.

[51] **LOC (7) Cl.** **08-05**

[52] **U.S. Cl.** **D8/349**

[58] **Field of Search** D8/349, 354; D14/37, D14/102; 248/317, 279.1, 329

References Cited

U.S. PATENT DOCUMENTS

D. 374,810 10/1996 Keijser et al. D8/354

1 Claim, 4 Drawing Sheets

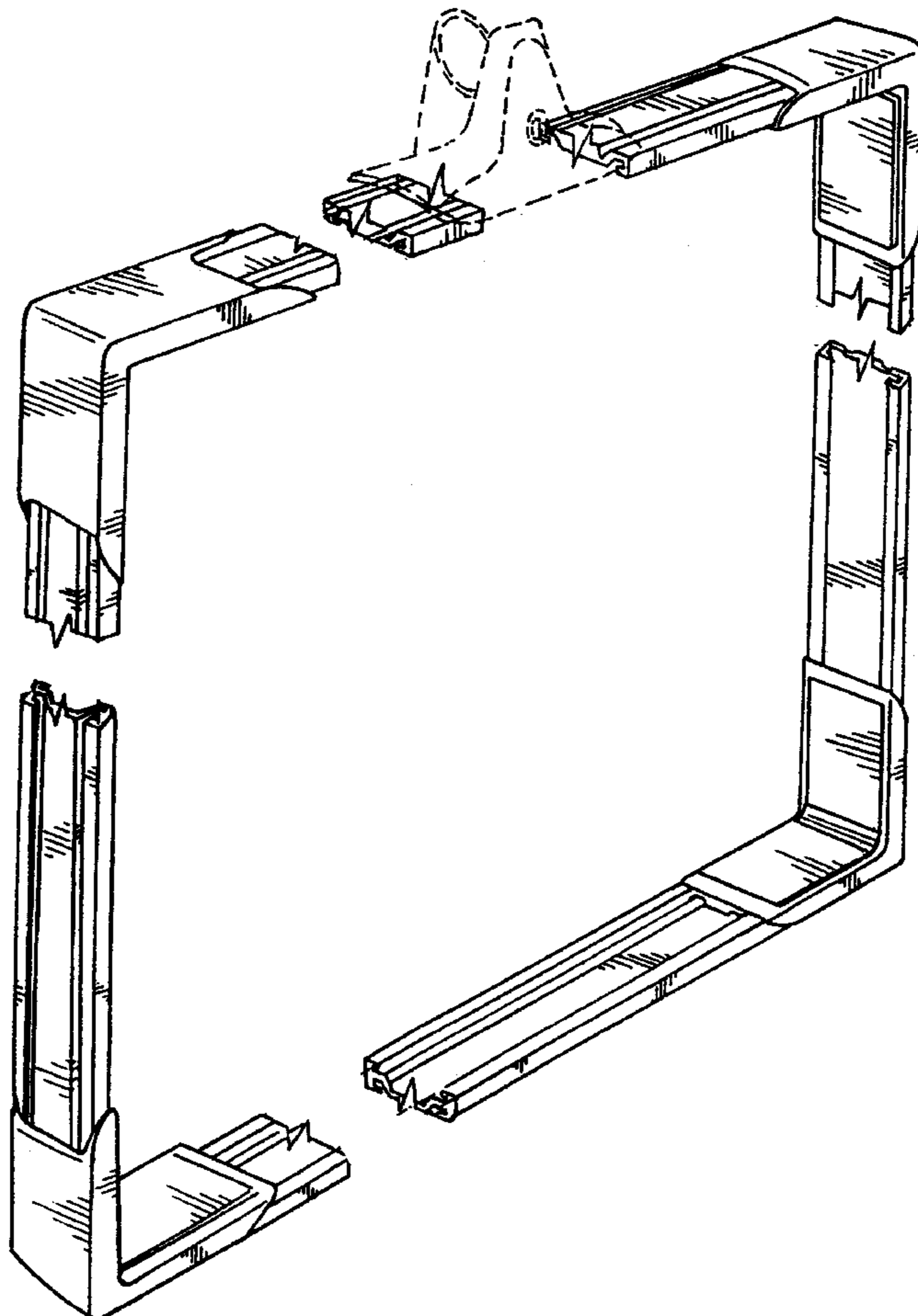


FIG. 1

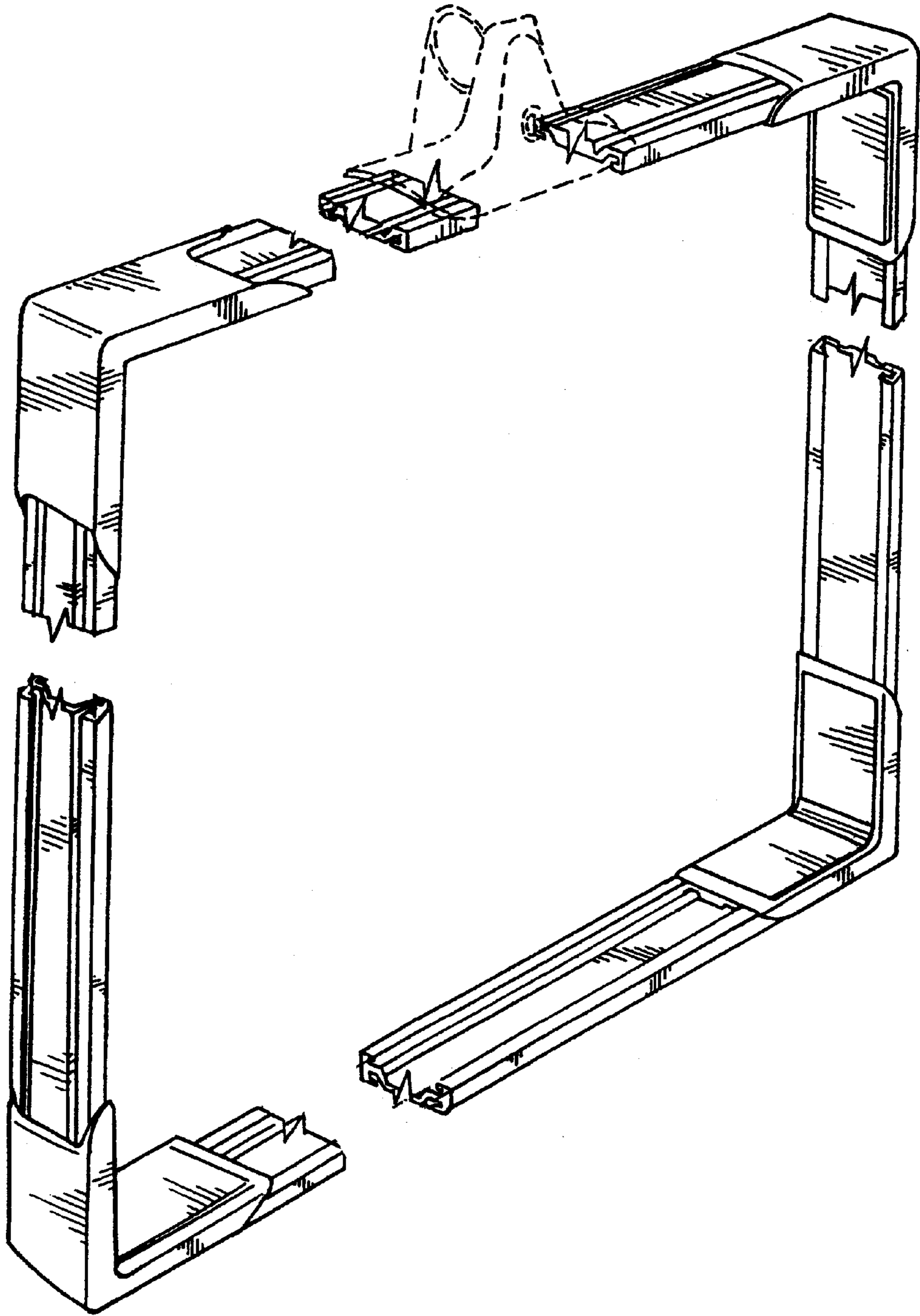


FIG. 2

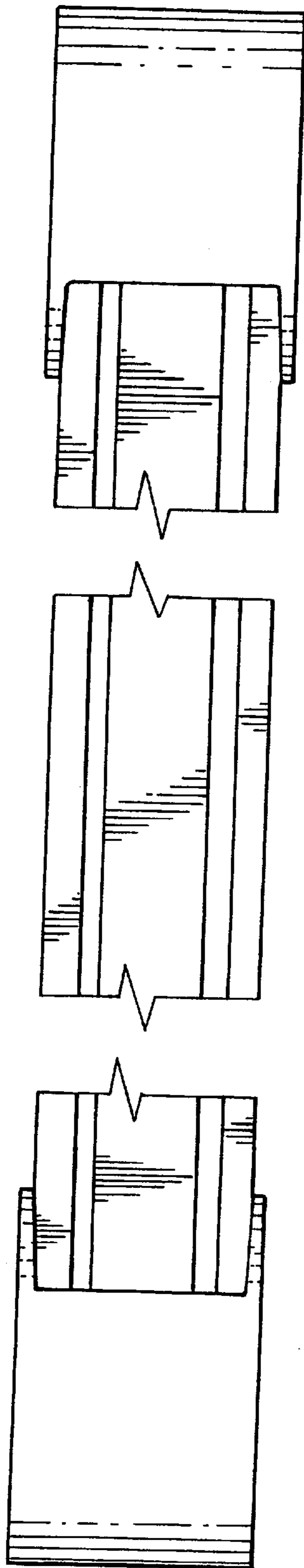


FIG. 3

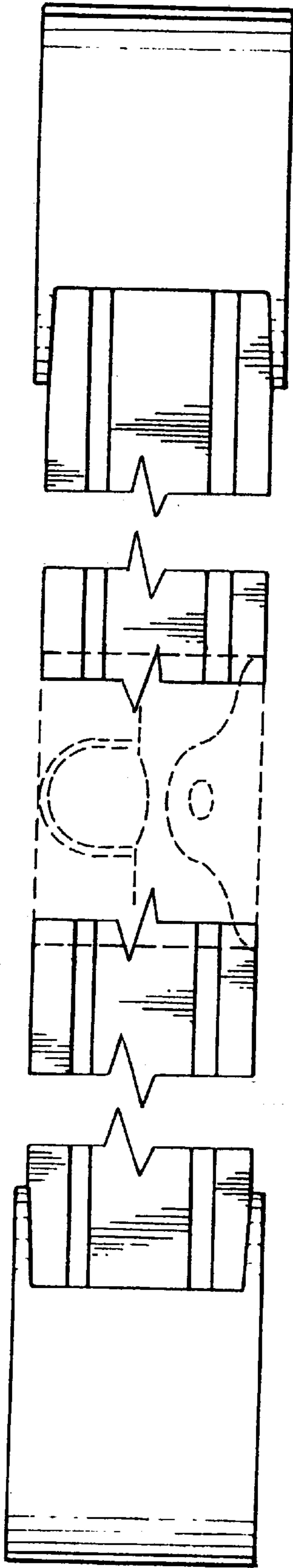


FIG. 4

