



US00D423909S

# United States Patent [19] Hartin

[11] Patent Number: Des. 423,909

[45] Date of Patent: \*\* May 2, 2000

[54] SHIM

[76] Inventor: **Greg Hartin**, 4/2 Brooklyn Avenue,  
Dandenong, Victoria 3175, Australia

[\*\*] Term: **14 Years**

[21] Appl. No.: **29/096,941**

[22] Filed: **Nov. 24, 1998**

[51] LOC (7) Cl. .... **08-05**

[52] U.S. Cl. .... **D8/349**

[58] Field of Search ..... D8/349, 354; 384/626;  
188/201; 192/89.26

[56] **References Cited**

U.S. PATENT DOCUMENTS

|           |         |          |       |           |
|-----------|---------|----------|-------|-----------|
| 1,949,114 | 2/1934  | Darrach  | ..... | 384/626   |
| 2,124,866 | 7/1938  | Young    | ..... | 384/626   |
| 2,772,596 | 12/1956 | Trussell | ..... | 384/626   |
| 5,027,024 | 6/1991  | Slayton  | ..... | 384/626 X |

Primary Examiner—Holly Baynham  
Attorney, Agent, or Firm—Greer, Burns & Crain

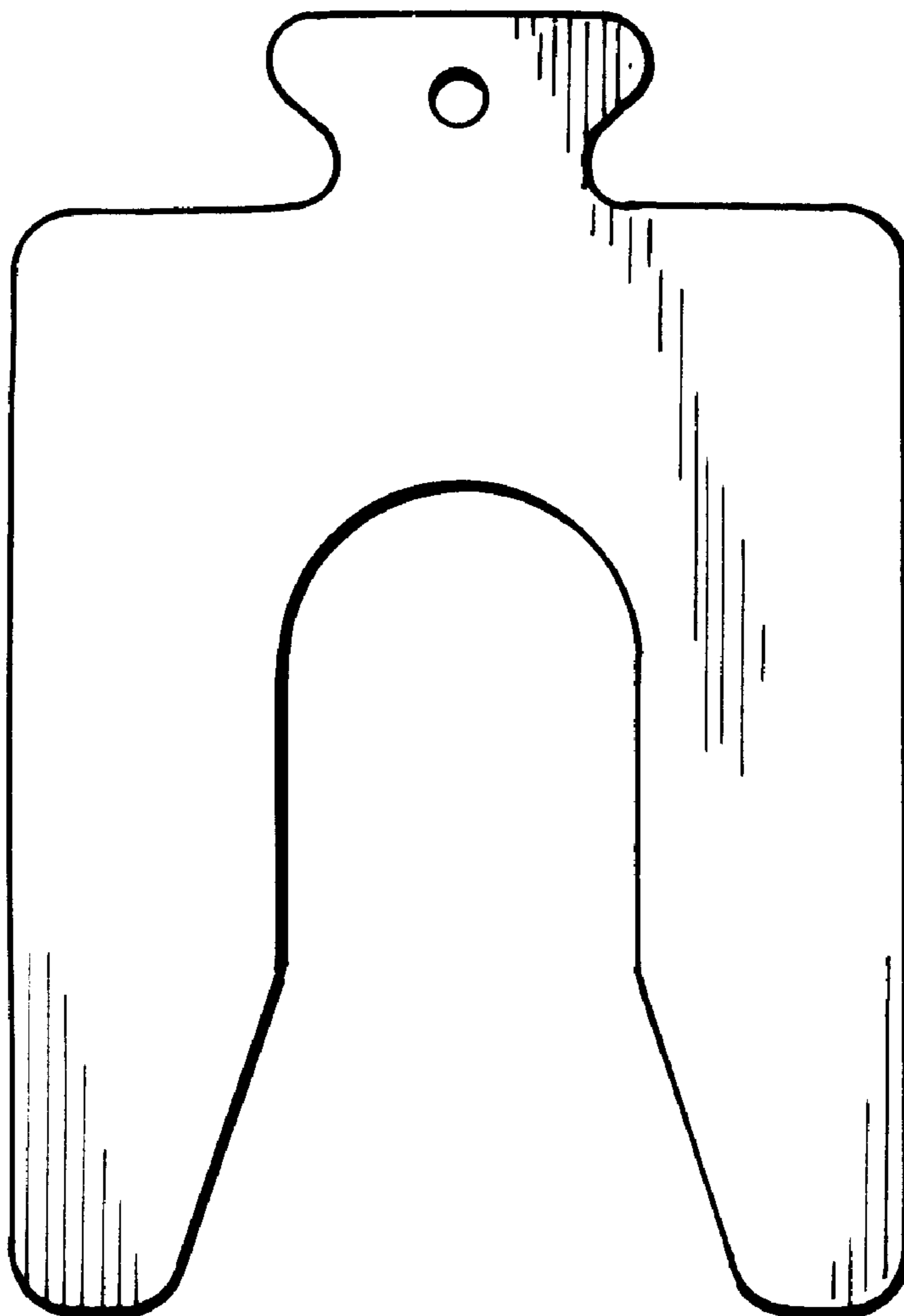
[57] **CLAIM**

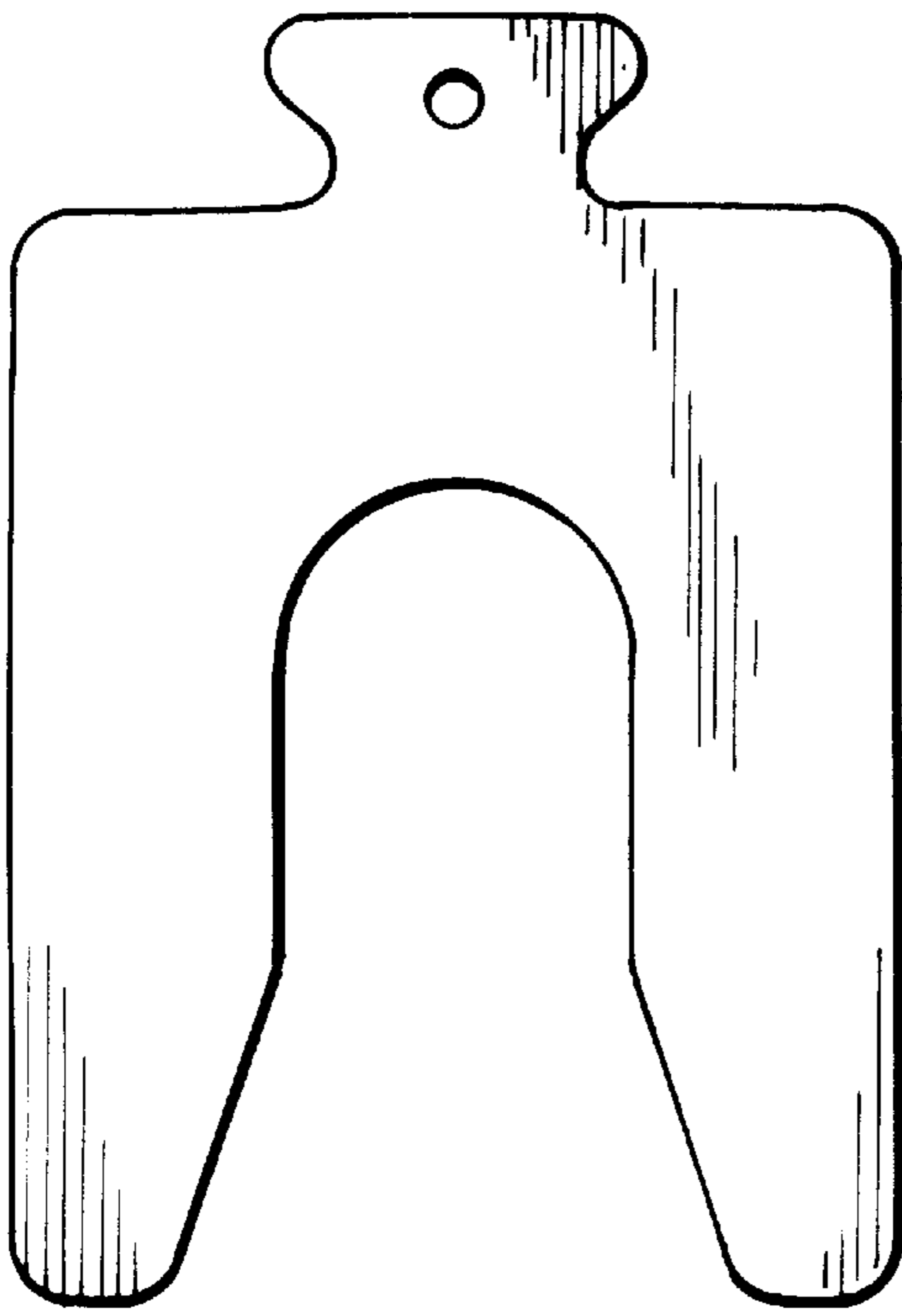
The ornamental design for a shim, as shown and described.

**DESCRIPTION**

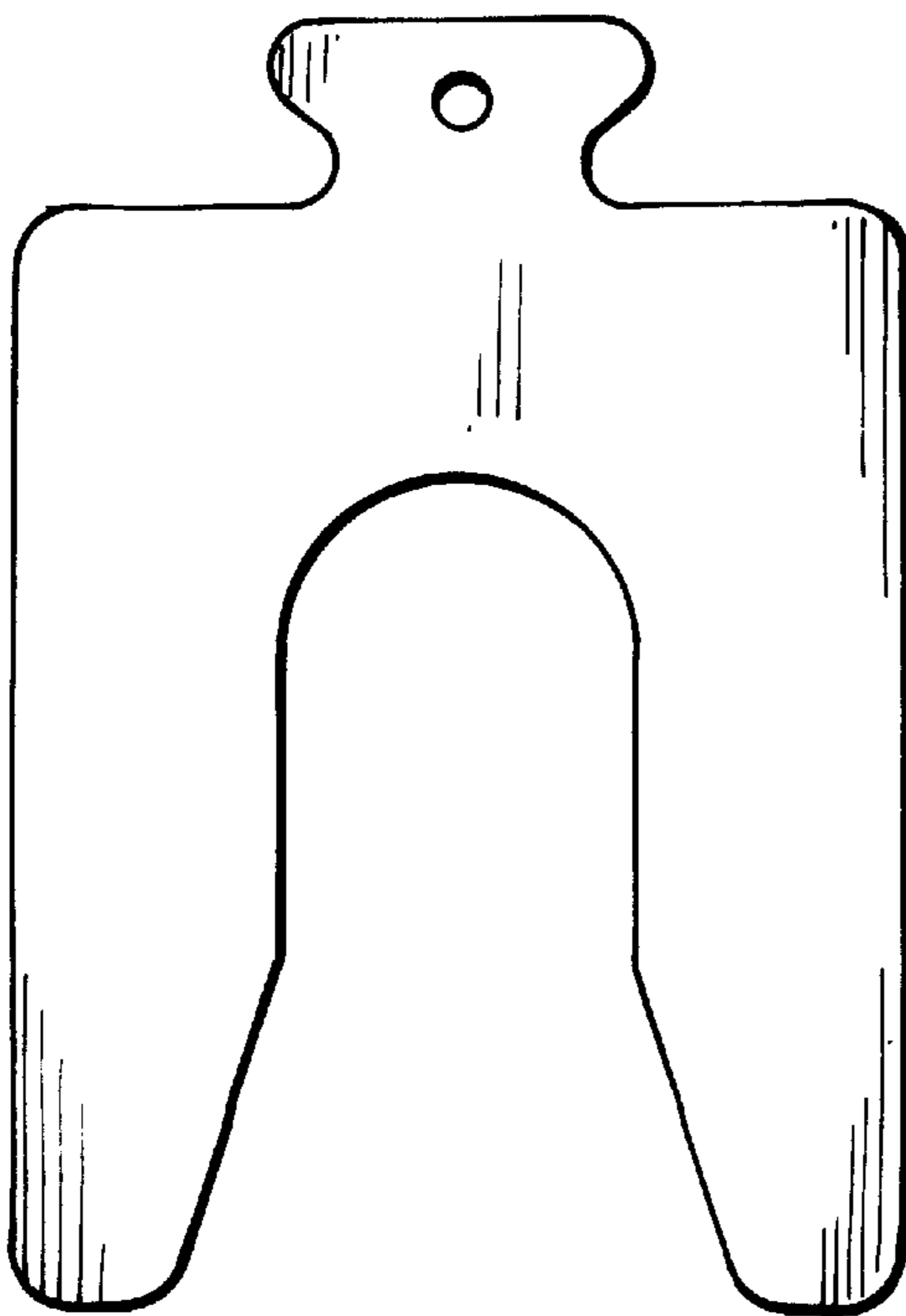
FIG. 1 is a plan view of a shim according to a first embodiment;  
 FIG. 2 is a bottom view of the shim of FIG. 1;  
 FIG. 3 is a side view of the shim of FIG. 1, both sides being identical;  
 FIG. 4 is a top perspective view of a top according to a second embodiment;  
 FIG. 5 is a bottom perspective view of the shim of FIG. 4;  
 FIG. 6 is an end view of the shim of FIG. 4;  
 FIG. 7 is an opposite end view of the shim of FIG. 4;  
 FIG. 8 is a plan view of the shim of FIG. 4;  
 FIG. 9 is a bottom view of the shim of FIG. 4;  
 FIG. 10 is a side view of the shim of FIG. 4, both sides being identical;  
 FIG. 11 is a top perspective view of the shim of FIG. 1;  
 FIG. 12 is a bottom perspective view of the shim of FIG. 1;  
 FIG. 13 is an end view of the shim of FIG. 1; and,  
 FIG. 14 is an opposite end view of the shim of FIG. 1.

**1 Claim, 6 Drawing Sheets**

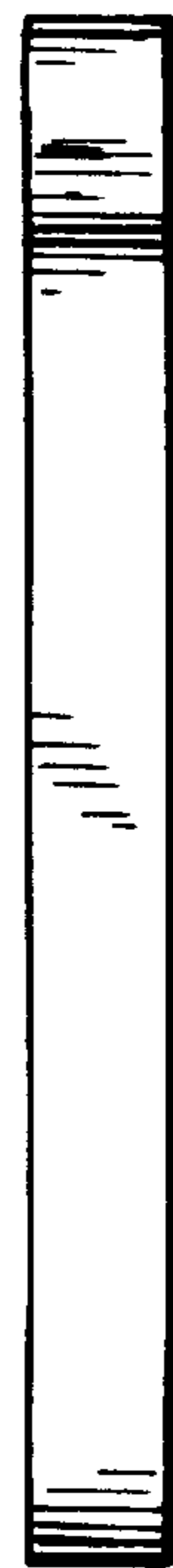




*FIG. 1.*



*FIG. 2.*



*FIG. 3.*

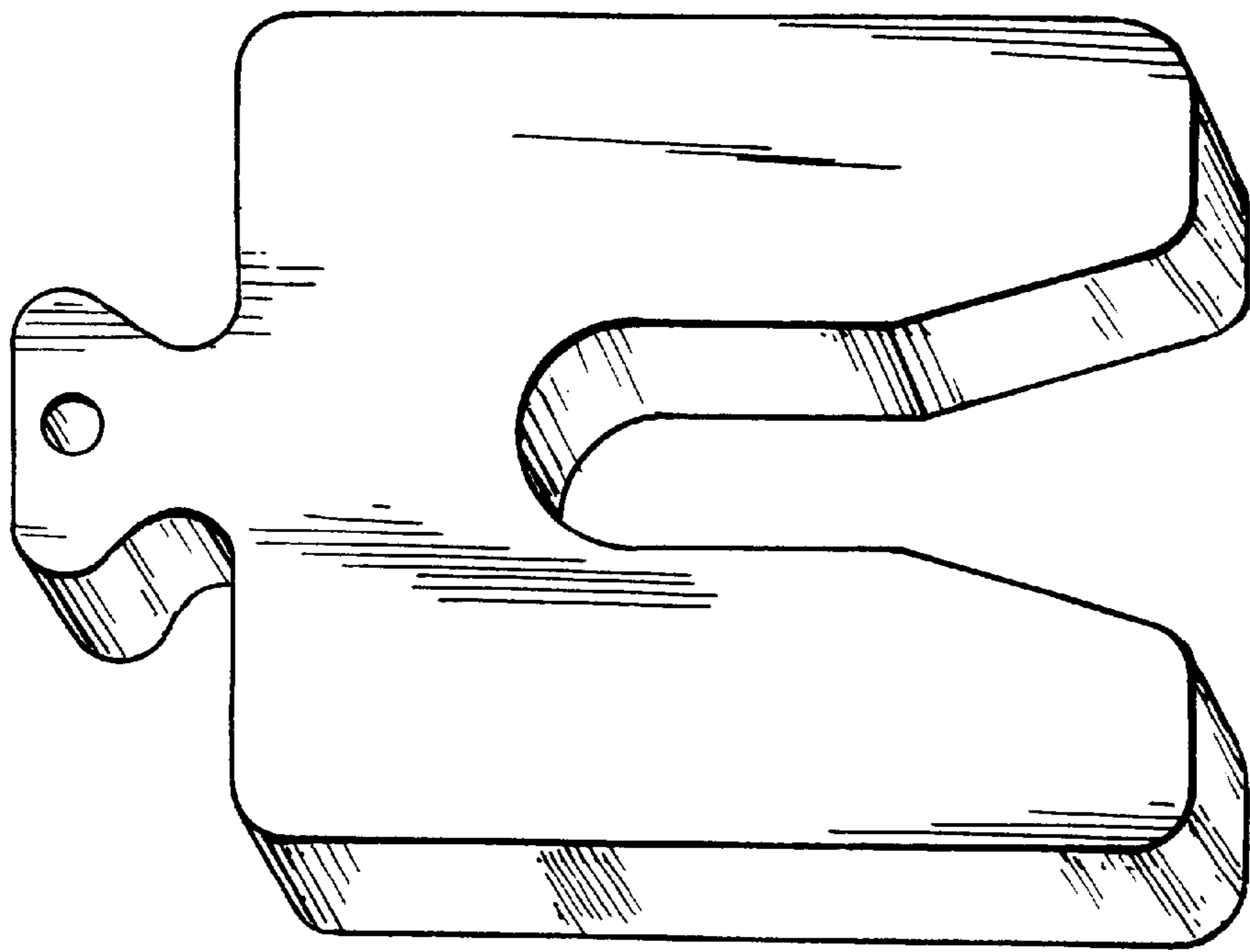


FIG. 4.

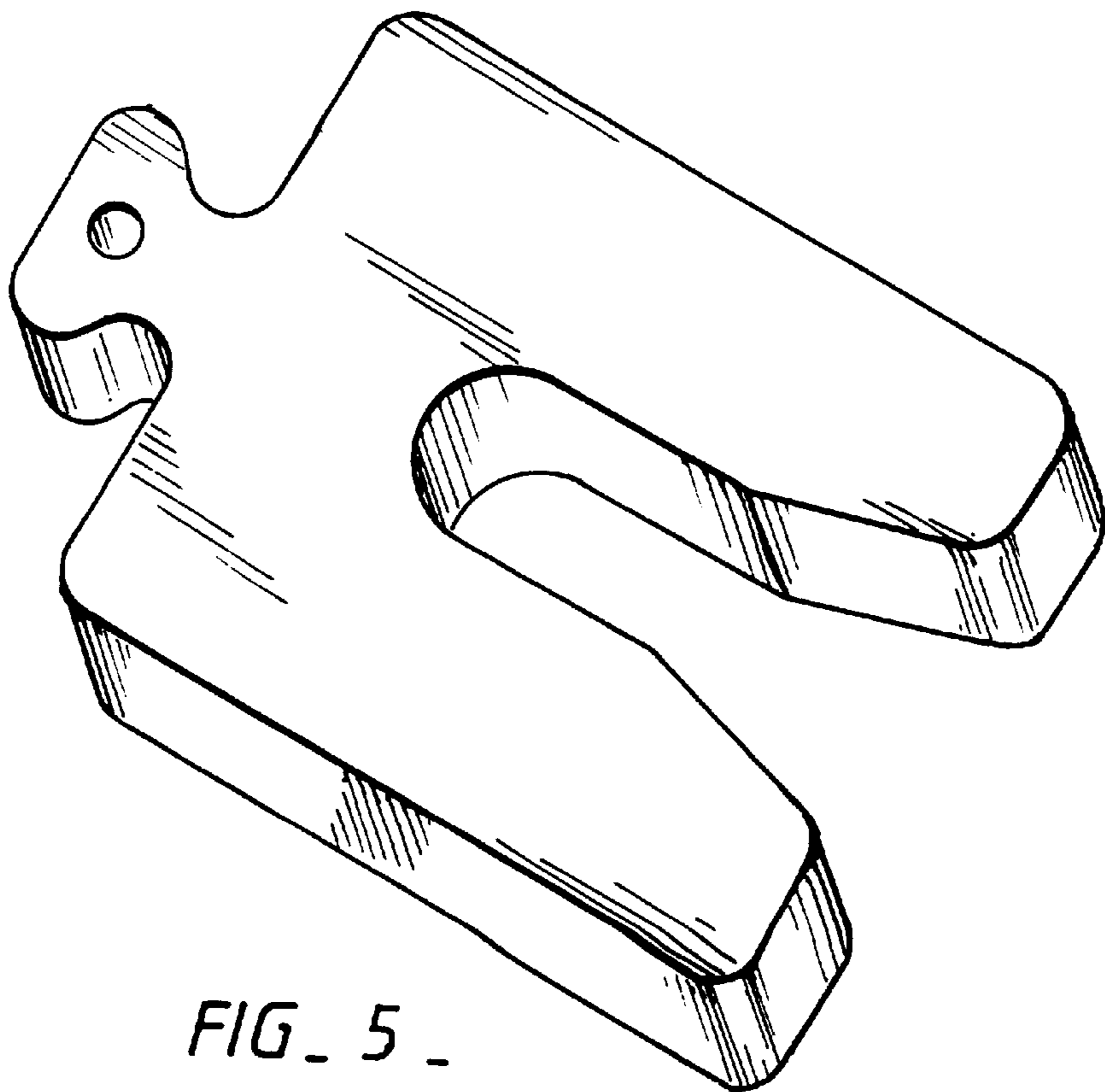
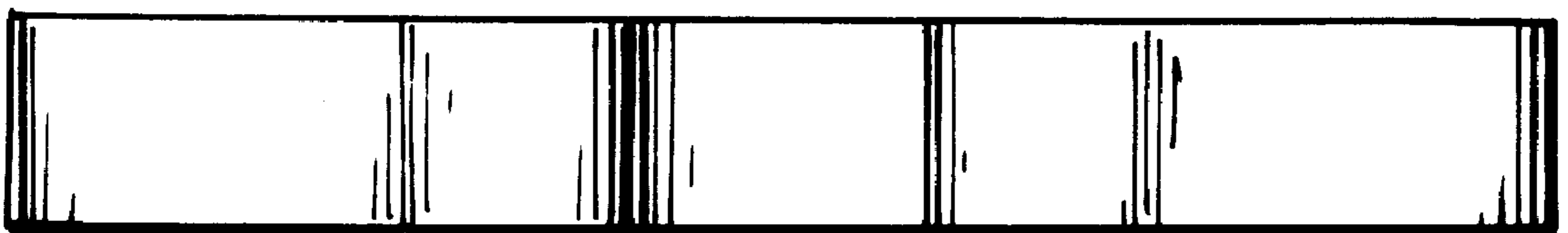


FIG. 5.



*FIG. 6.*



*FIG. 7.*

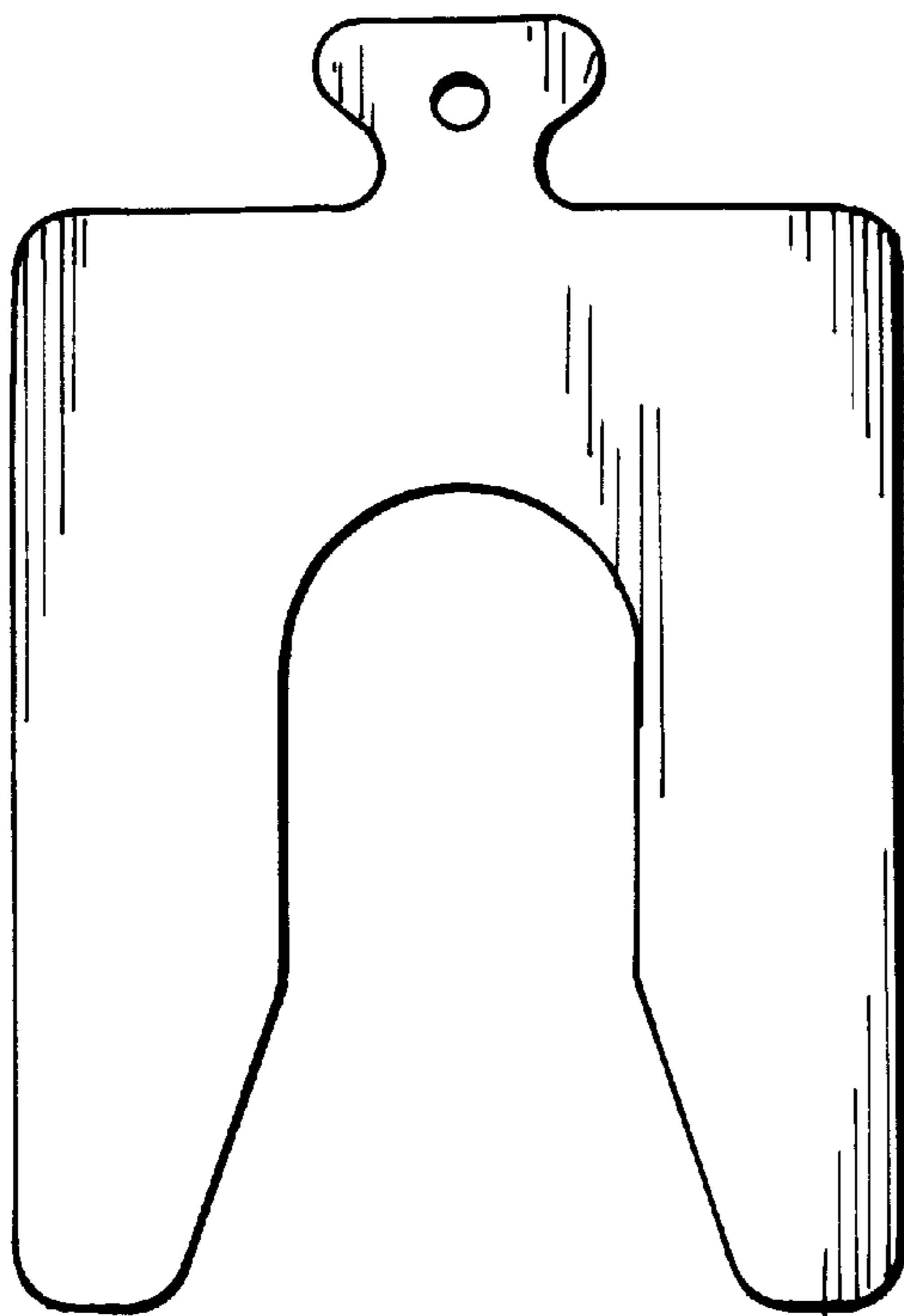


FIG. 8.

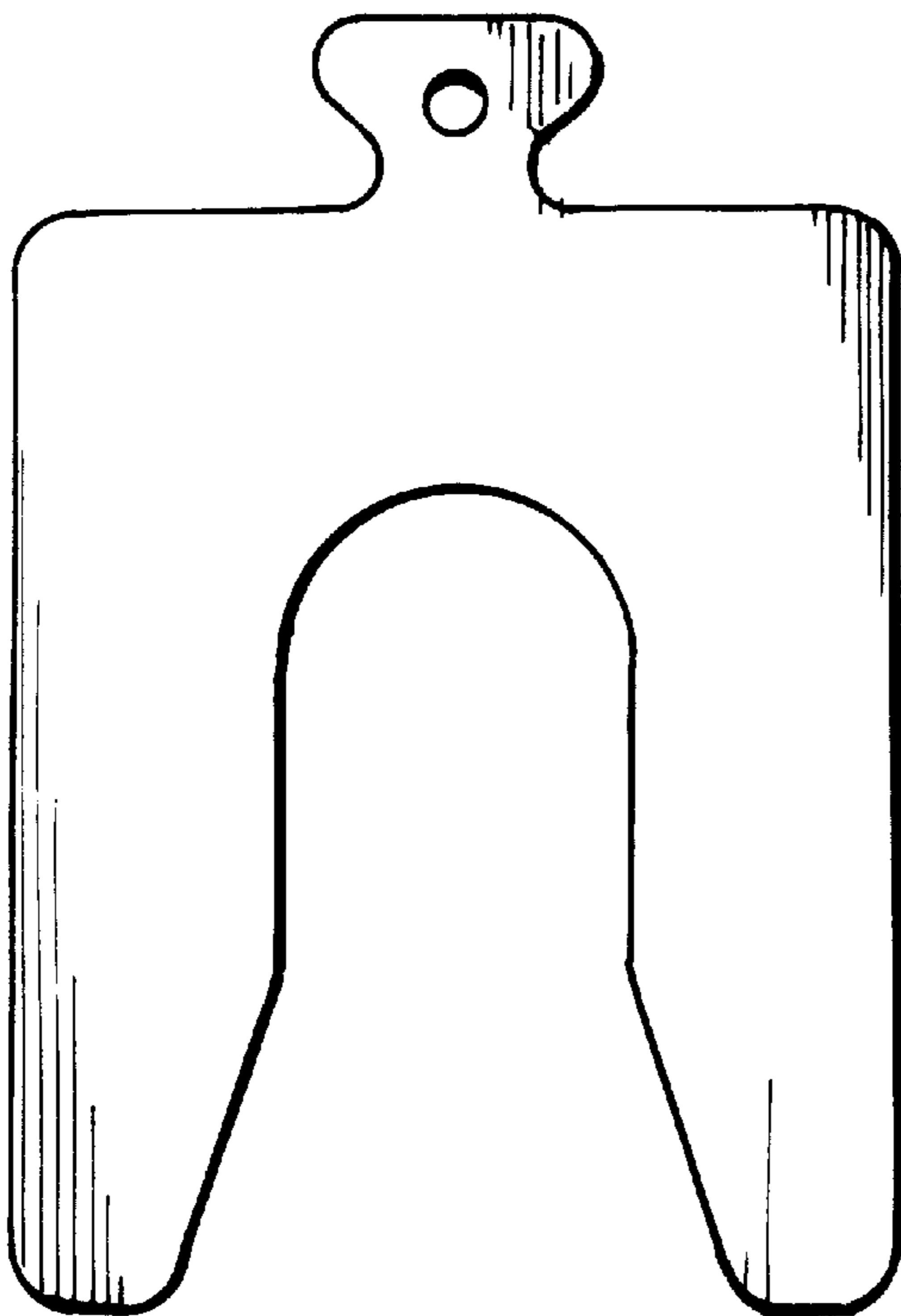


FIG. 9.

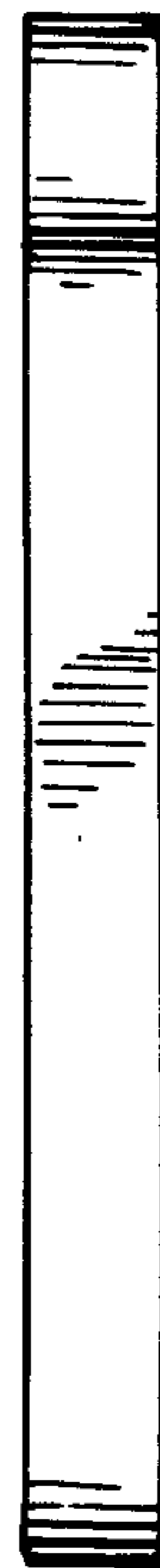


FIG. 10.

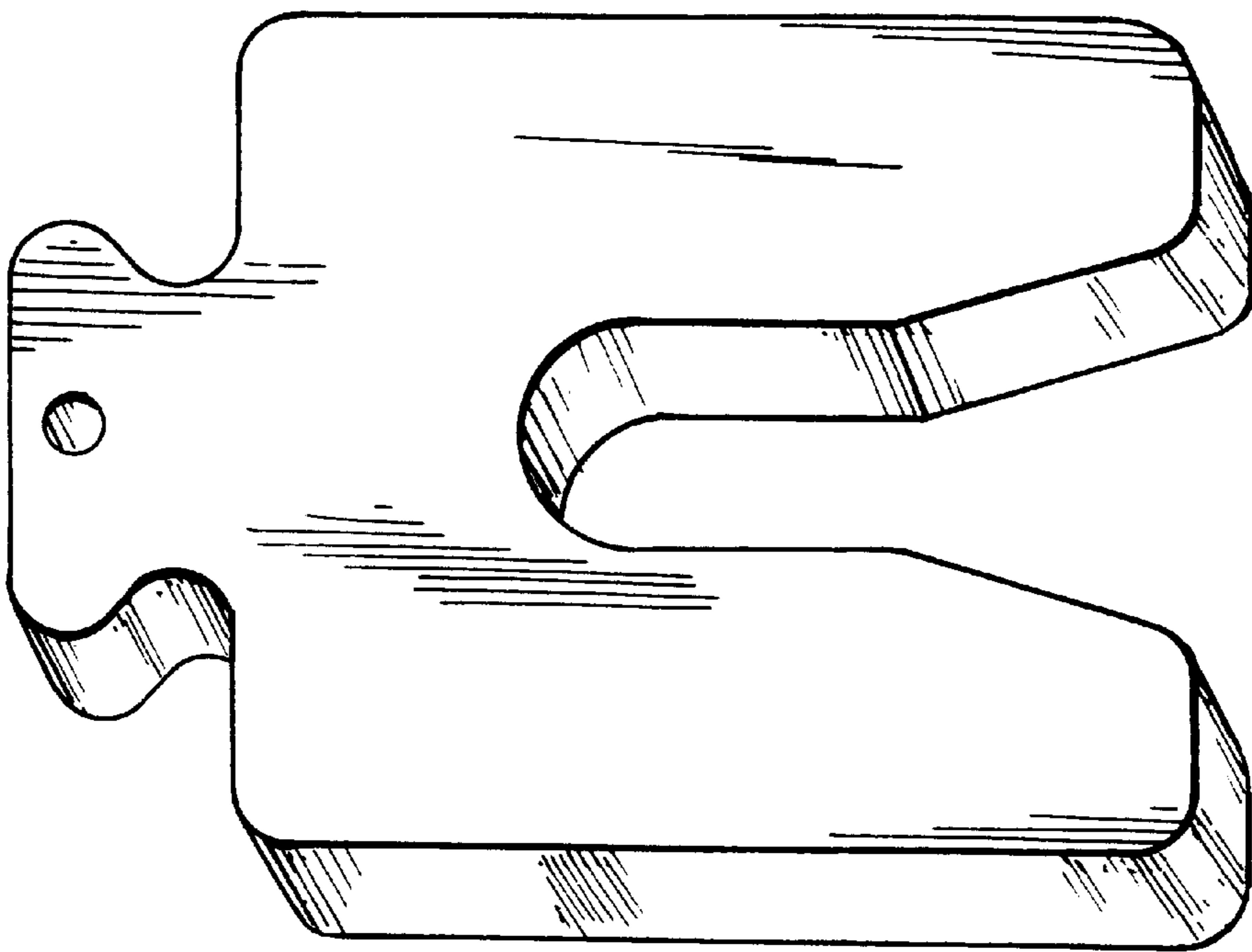


FIG. 11.

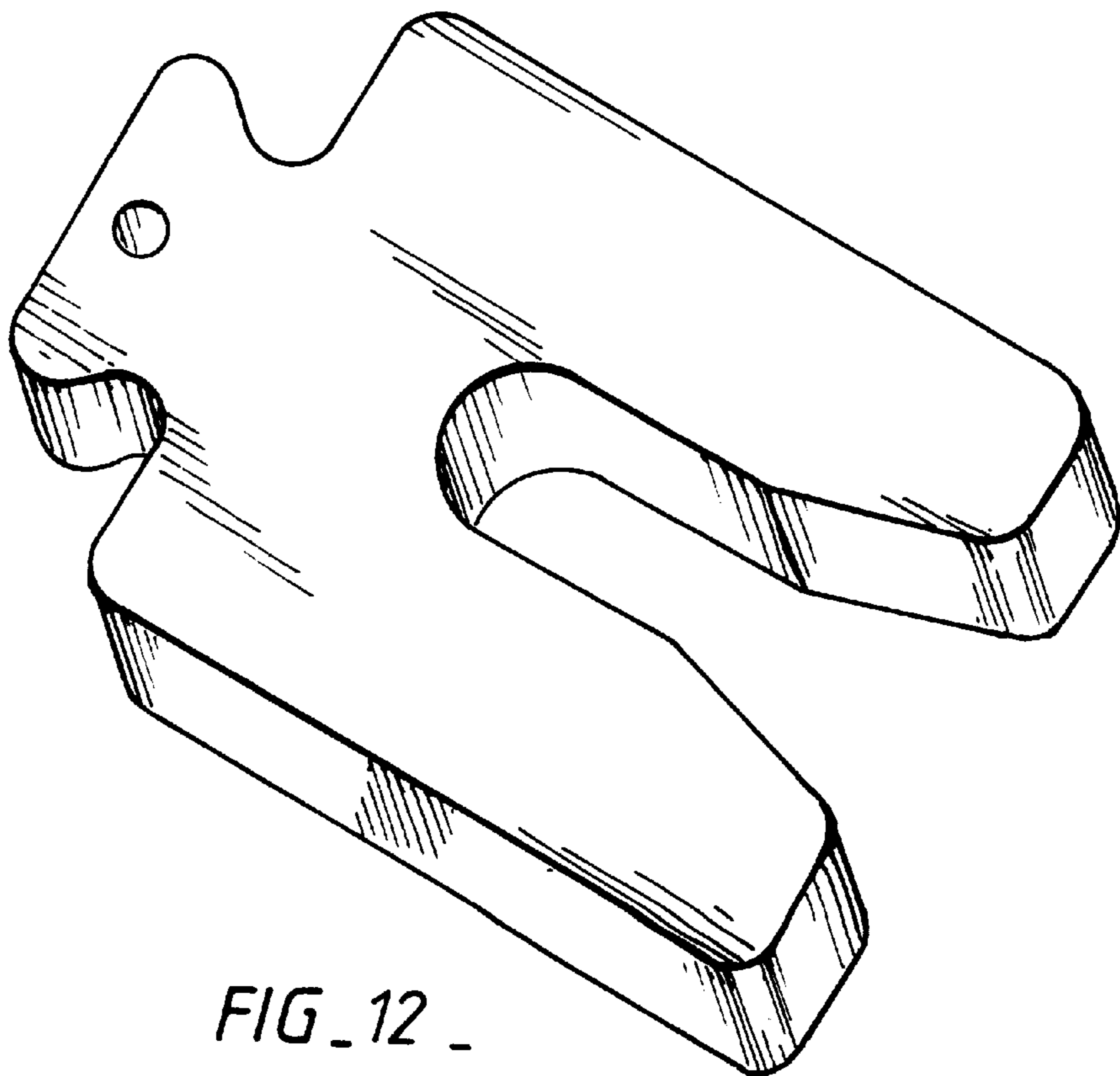
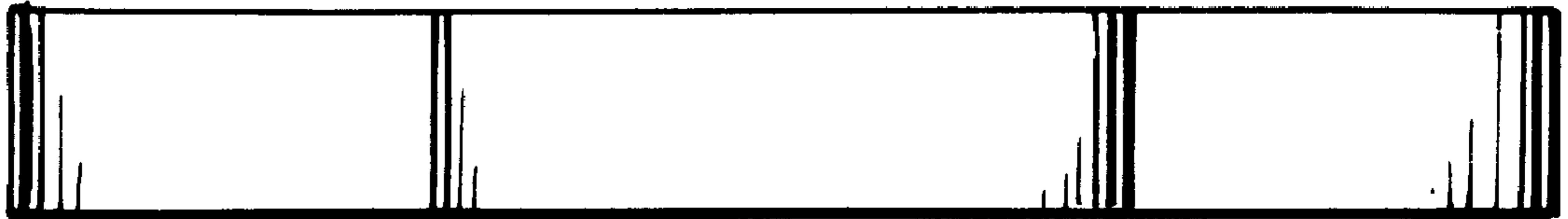


FIG. 12.



*FIG. 13.*



*FIG. 14.*

UNITED STATES PATENT AND TRADEMARK OFFICE  
**CERTIFICATE OF CORRECTION**

PATENT NO. : Des. 423,909  
DATED : May 2, 2000  
INVENTOR(S) : Hartin

It is certified that error appears in the above-identified patent and that said Letters Patent is hereby corrected as shown below:

On the Face of the Patent:

After "[75] Inventors", please insert --"[73]

Assignee:" Alignment Systems Australia Pty Ltd, Victoria,  
Australia--

Signed and Sealed this  
Twenty-ninth Day of May, 2001

Attest:



NICHOLAS P. GODICI

Attesting Officer

Acting Director of the United States Patent and Trademark Office