



US00D423907S

United States Patent [19]

Fiegenger et al.

[11] Patent Number: Des. 423,907

[45] Date of Patent: ** May 2, 2000

[54] PADLOCK

[75] Inventors: **John Darrin Fiegenger**, Mendon; **Roy Alden Thompson**, Mattapan; **Joseph Robert Geringer**, Melrose; **Harry West**, Lexington, all of Mass.

[73] Assignee: **Master Lock Company**, Milwaukee, Wis.

[**] Term: **14 Years**

[21] Appl. No.: **29/099,511**

[22] Filed: **Jan. 22, 1999**

[51] LOC (7) Cl. **08-07**

[52] U.S. Cl. **D8/334**

[58] Field of Search D8/330, 331, 333, D8/334; 70/14, 20, 21, 31, 35, 36, 38 A, 38 R, 40, 41, 48

[56] References Cited

U.S. PATENT DOCUMENTS

8,318	8/1851	Tilton .	
116,972	7/1871	Madge .	
D. 144,682	5/1946	Bouhall	D8/334
229,332	6/1880	Pease .	
D. 315,090	3/1991	Pedersen	D8/334
D. 321,824	11/1991	Appelbaum	D8/334
D. 342,009	12/1993	LeBrecht et al.	D8/334
D. 388,688	1/1998	Yang	D8/334
D. 406,043	2/1999	LeClaire	D8/334
D. 407,625	4/1999	Yang	D8/334
536,196	3/1895	Edgar .	
587,609	8/1897	Roland .	
596,596	1/1898	Johnson .	
767,004	8/1904	Muchowicz .	
816,492	3/1906	Mohr .	

823,919	6/1906	Caldwell .	
952,643	3/1910	Roche .	
1,003,331	9/1911	Caldwell .	
1,062,594	5/1913	Isidor .	
1,103,015	7/1914	Andrus .	
1,153,405	9/1915	Rogers .	
1,490,453	4/1924	Caldwell .	
1,581,953	4/1926	Jackson .	
1,662,612	3/1928	Junkunc .	
3,260,079	7/1966	Caskey	70/25

Primary Examiner—Susan J. Lucas
Assistant Examiner—Jennifer Rivard
Attorney, Agent, or Firm—Pennie & Edmonds LLP

[57] CLAIM

The ornamental design for a padlock, as shown and described.

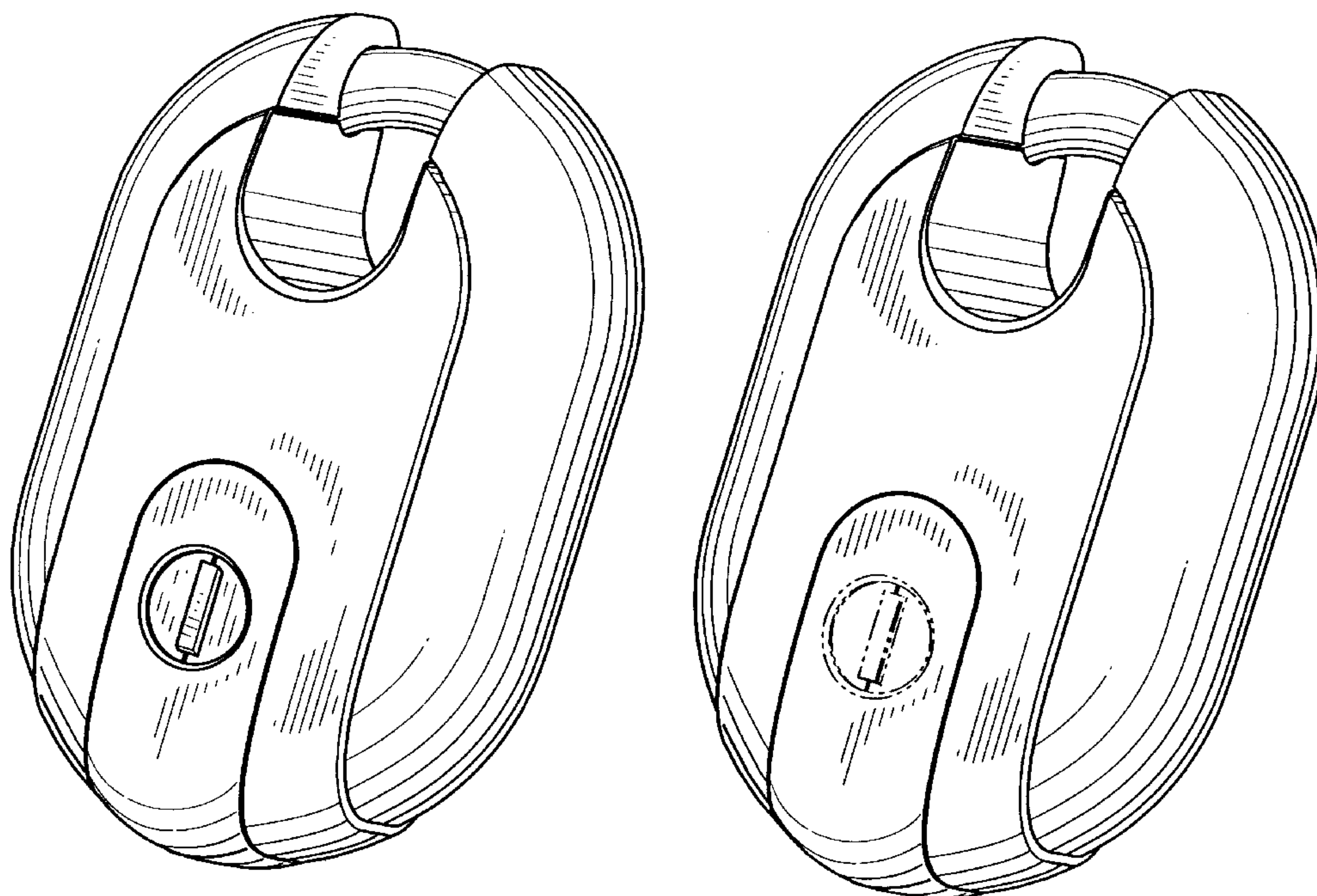
DESCRIPTION

FIG. 1 is a perspective view of a padlock showing our new design;
 FIG. 2 is a front view thereof;
 FIG. 3 is a back view thereof;
 FIG. 4 is a left view thereof;
 FIG. 5 is a right view thereof;
 FIG. 6 is a top view thereof;
 FIG. 7 is a bottom view thereof;
 FIG. 8 is a perspective view of an alternative embodiment of our new design; and,
 FIG. 9 is a front view thereof.

The back, left, right and top and bottom views of the alternative embodiment are the same as FIGS. 3–7 of the first embodiment, respectively.

The portions shown in phantom lines are not part of the claimed invention, but are included to show environment.

1 Claim, 5 Drawing Sheets



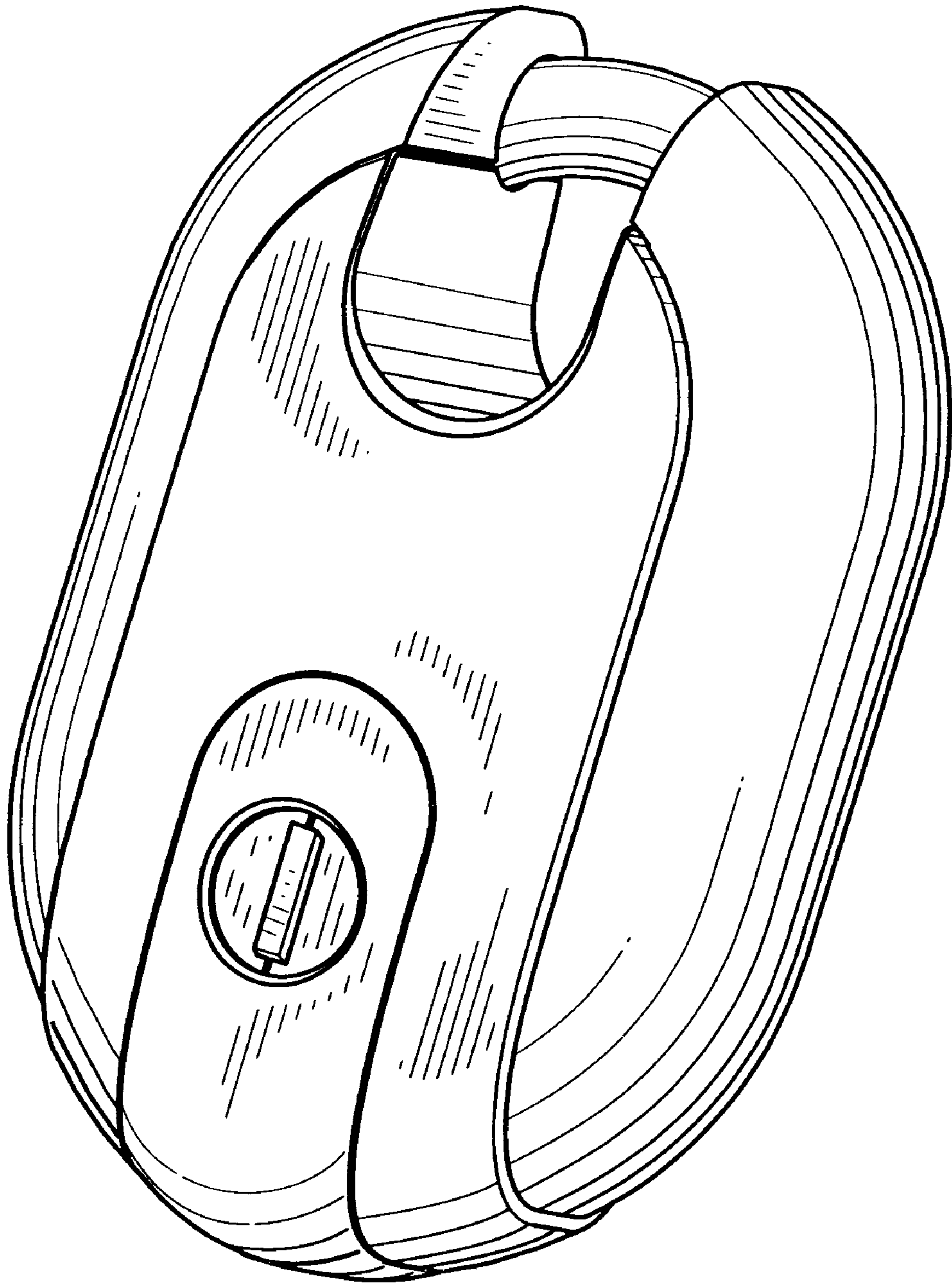


FIG. 1

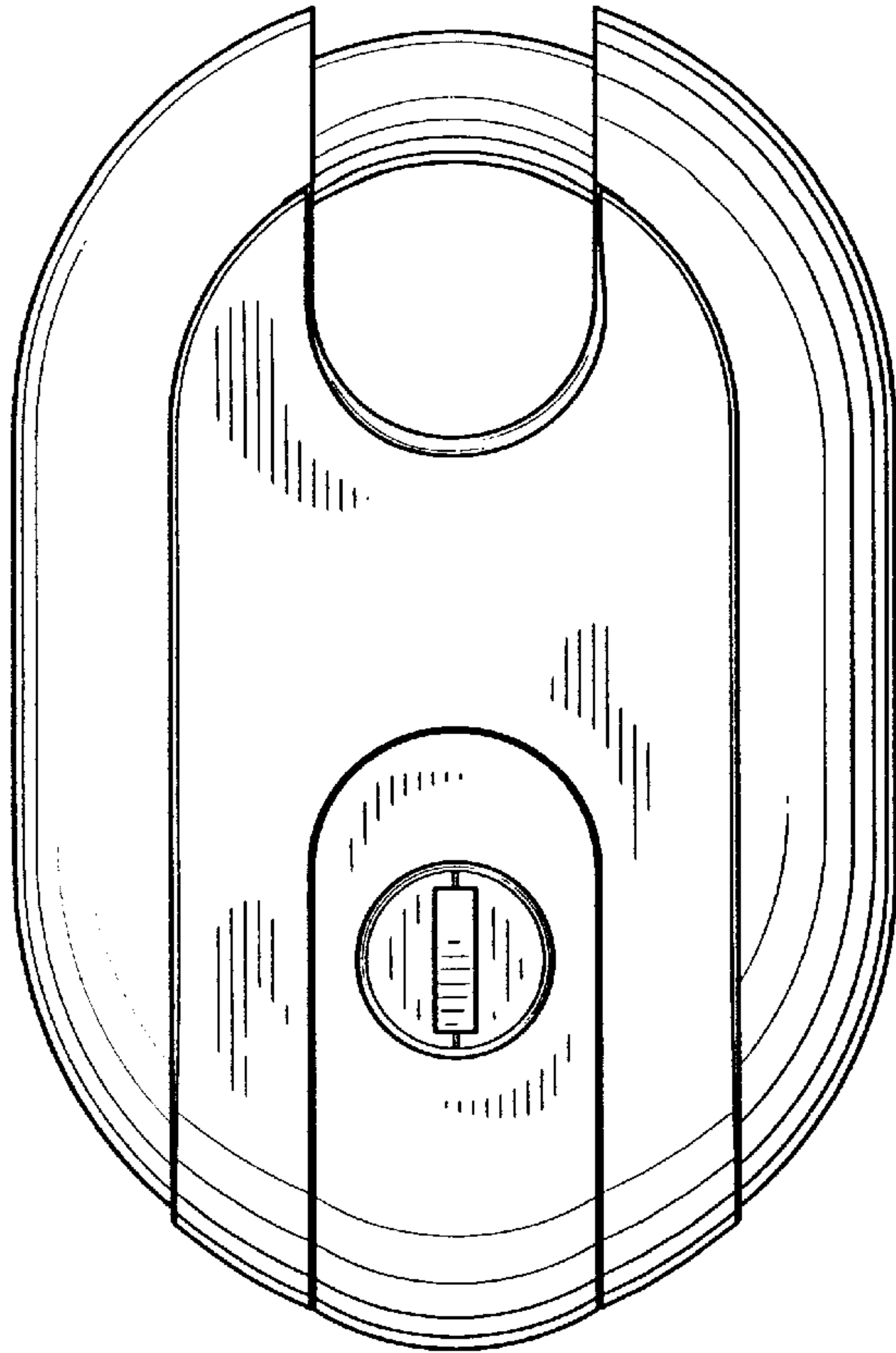


FIG. 2

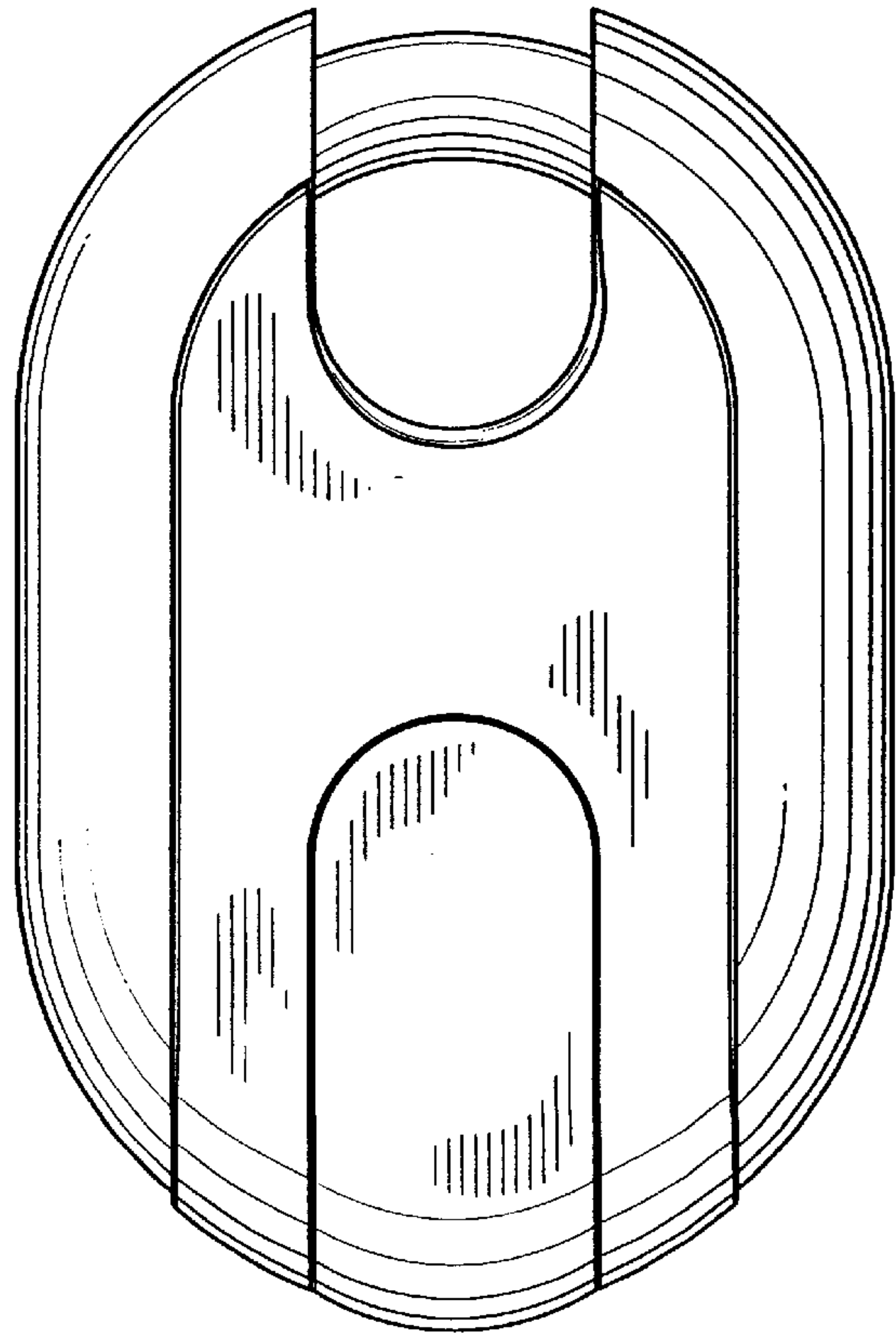


FIG. 3

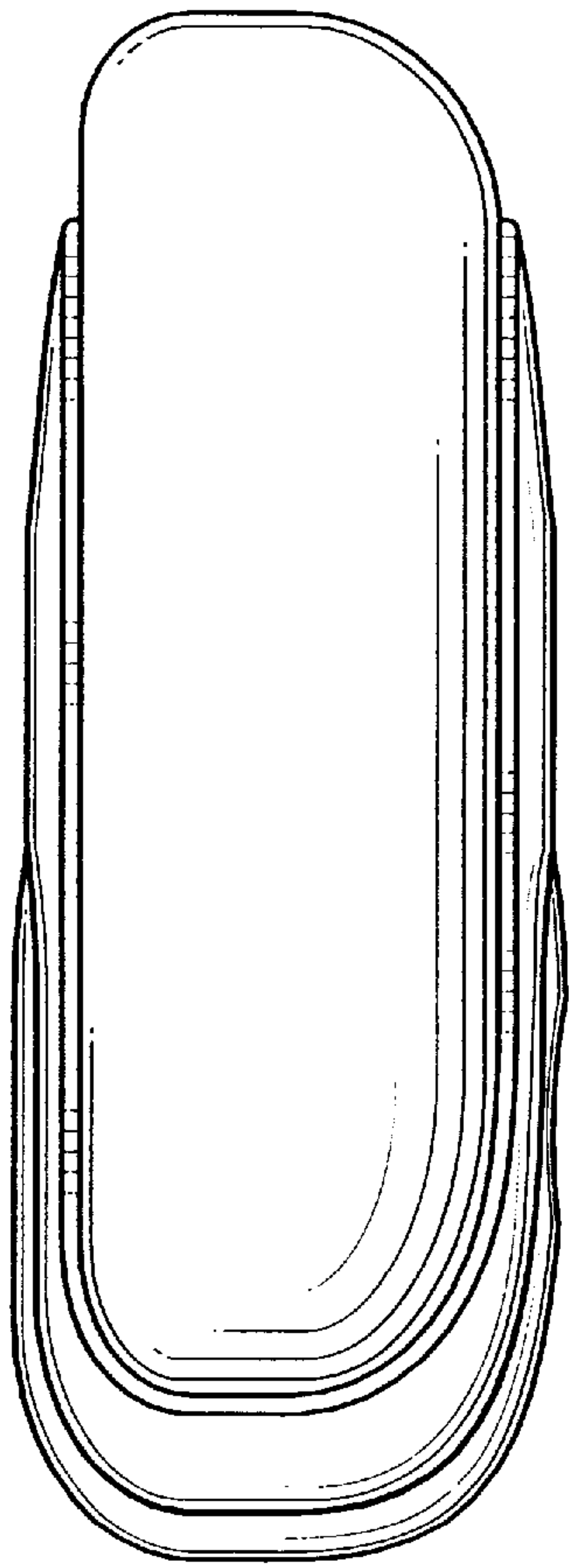


FIG. 4

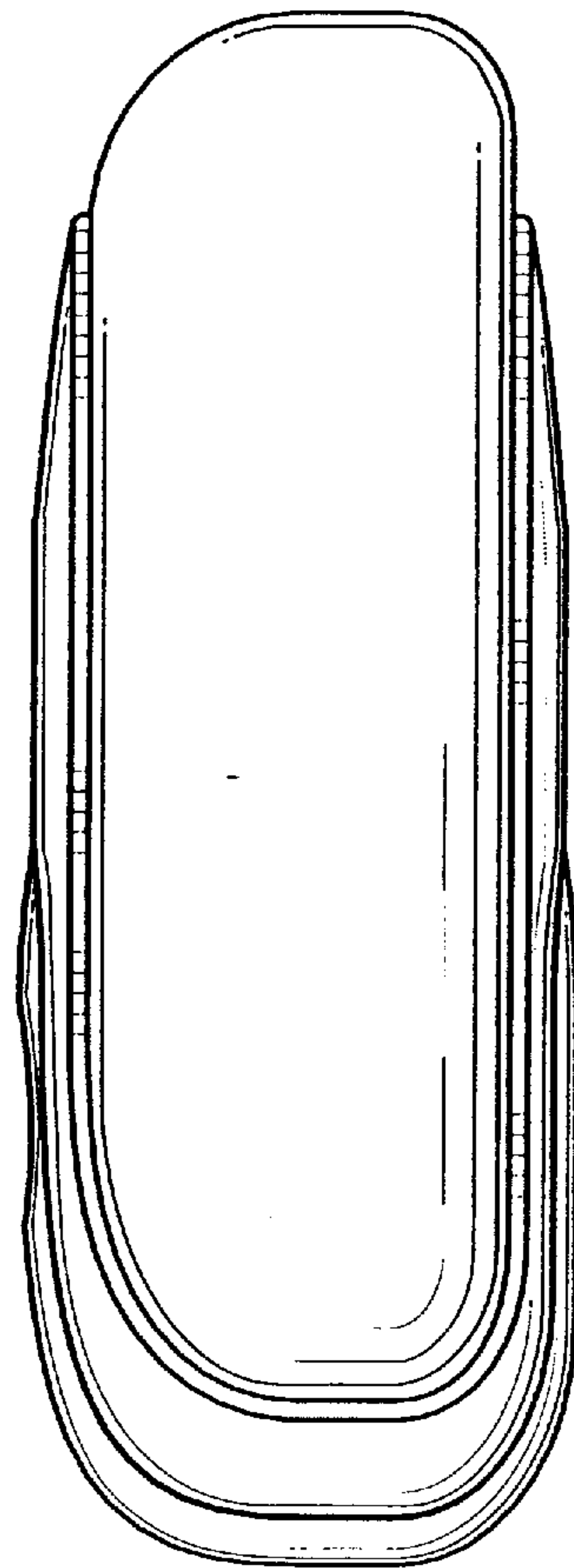


FIG. 5

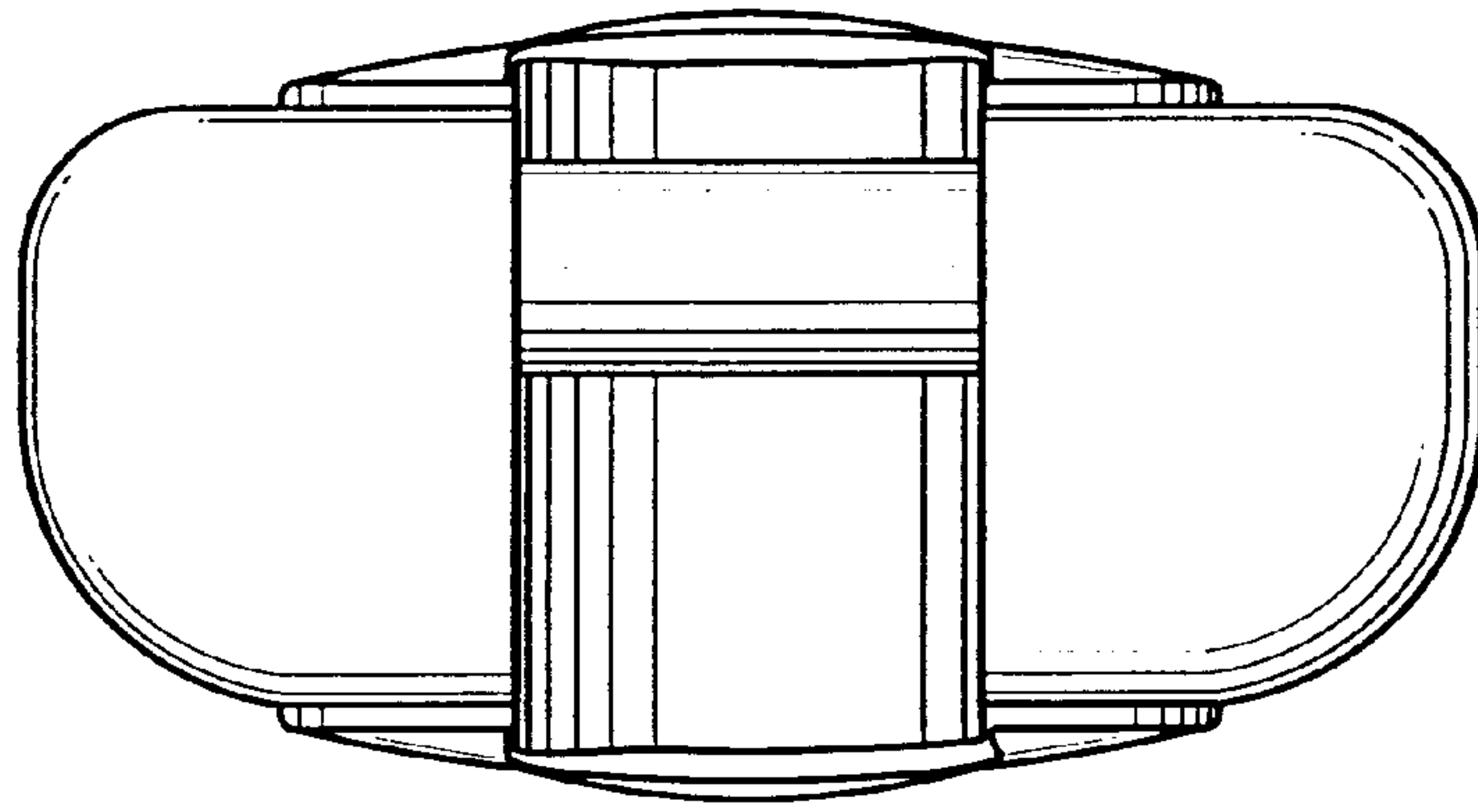


FIG. 6

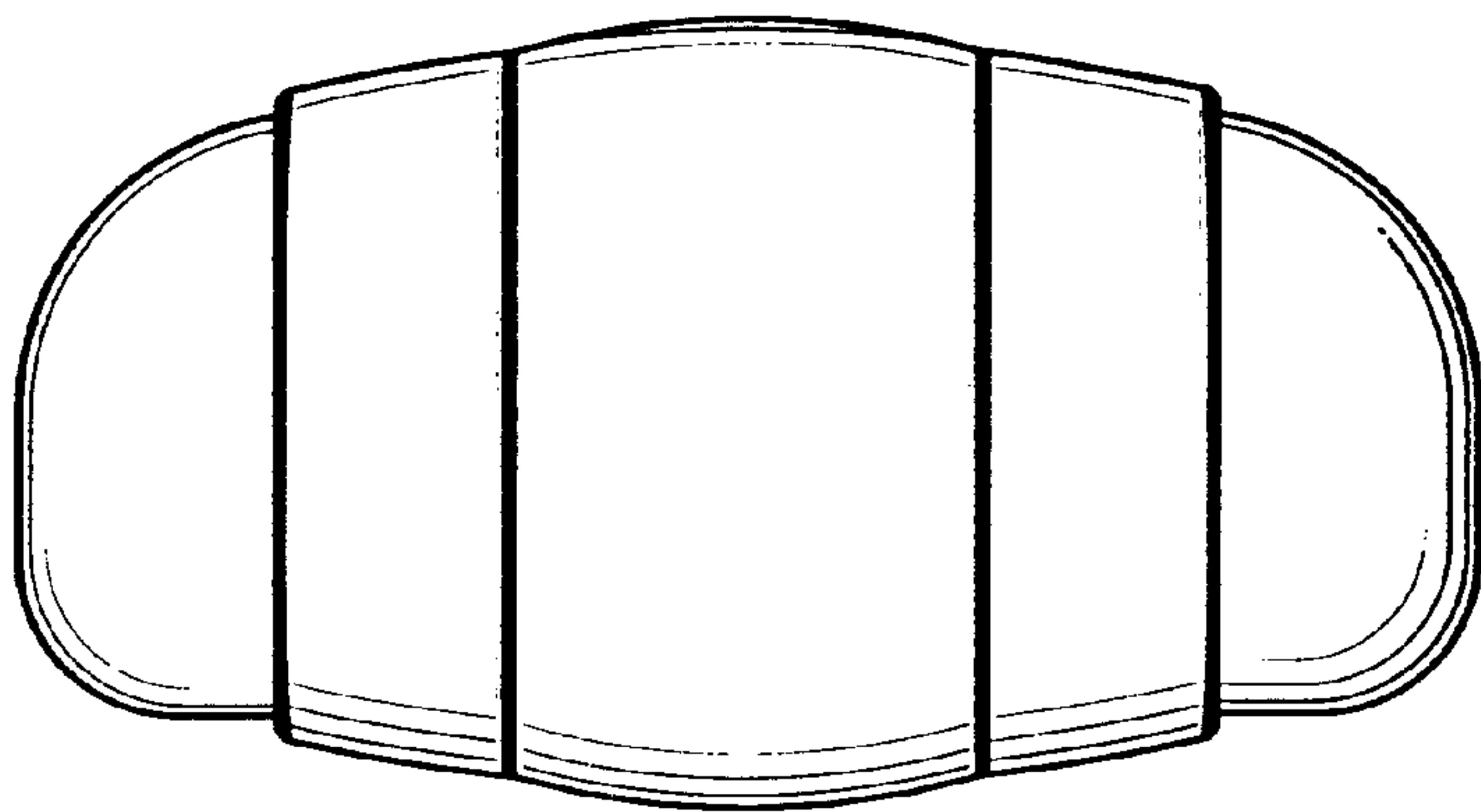


FIG. 7

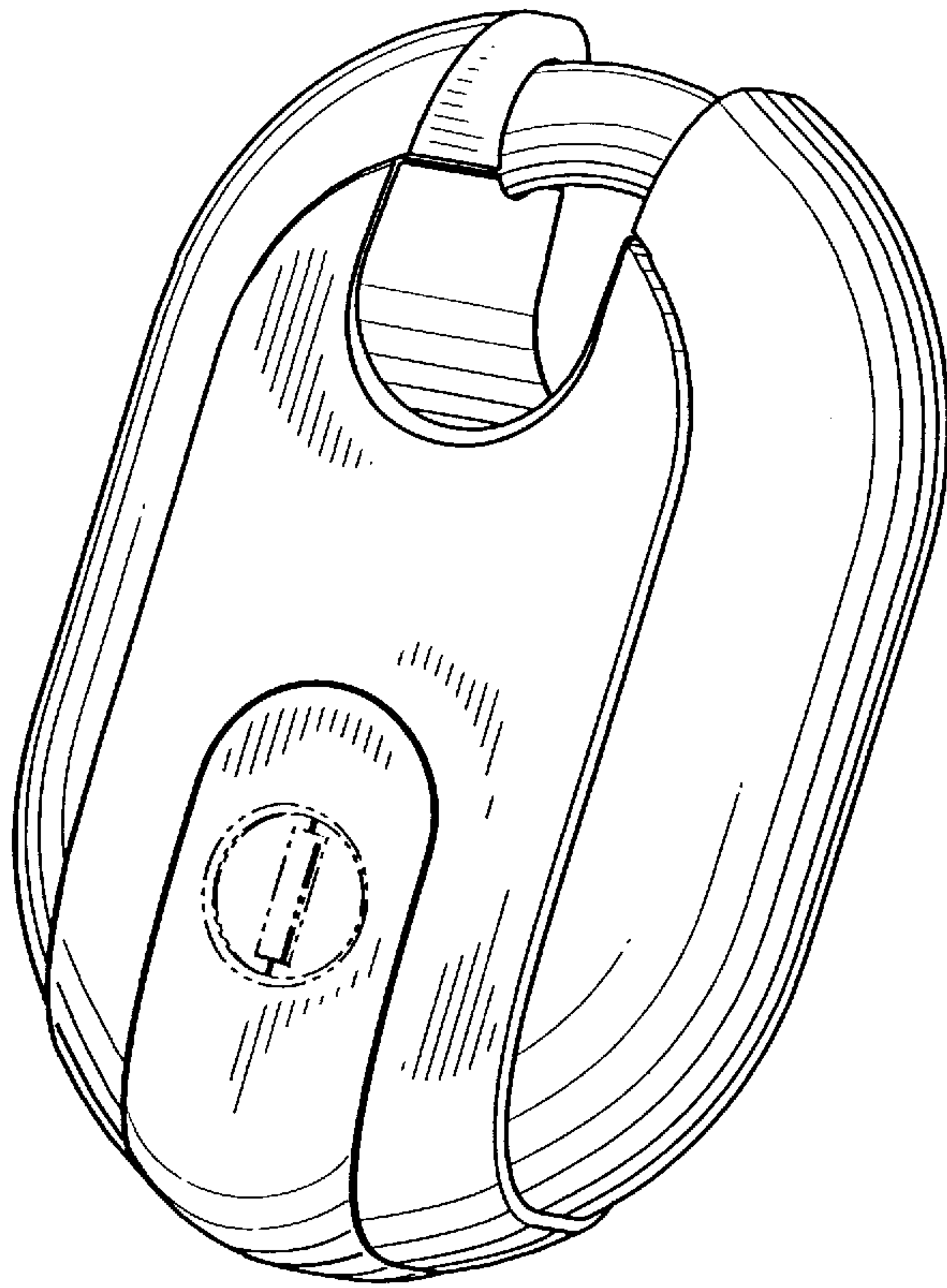


FIG. 8

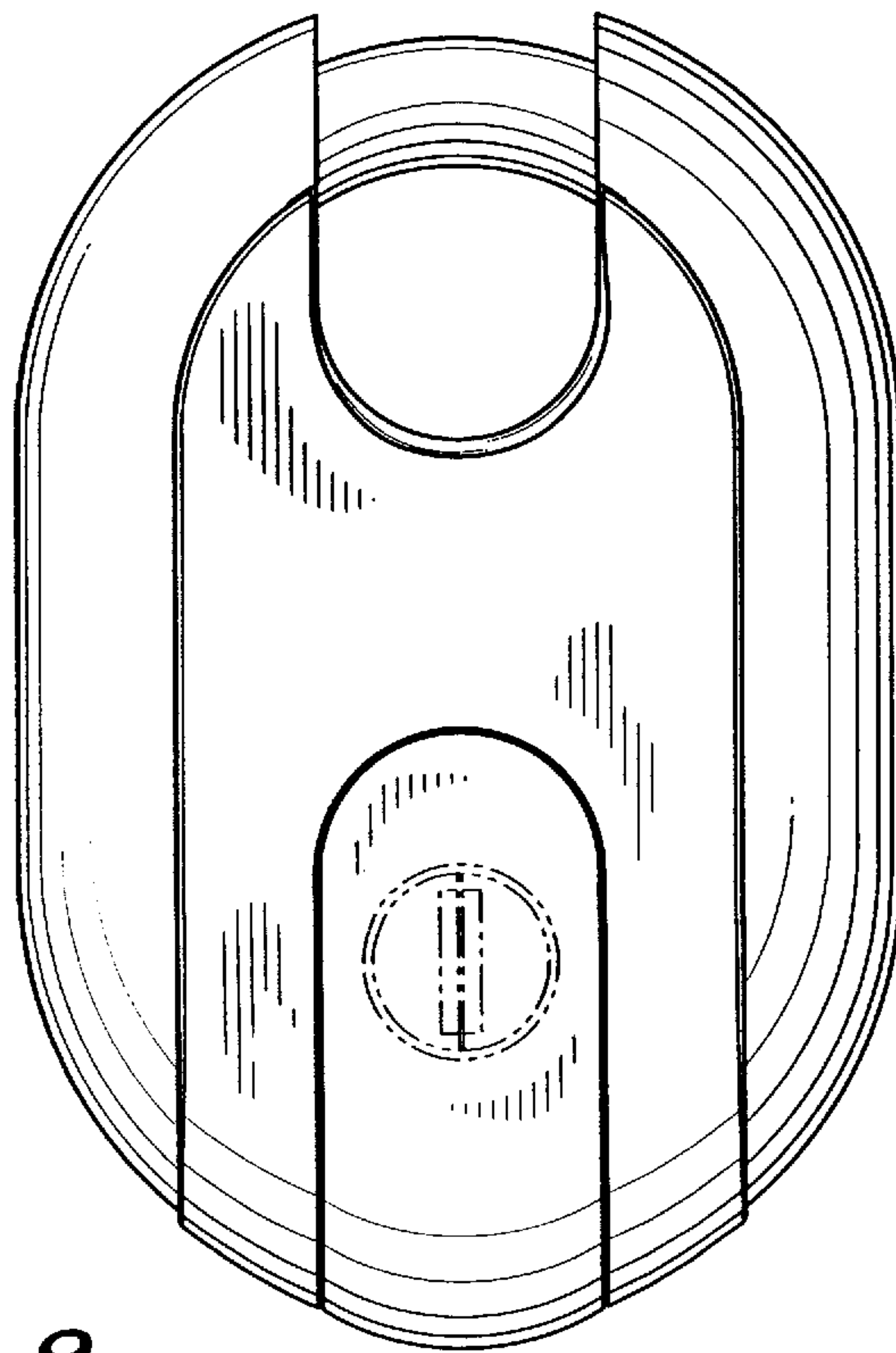


FIG. 9