



US00D423902S

United States Patent [19]

Libby et al.

[11] Patent Number: Des. 423,902

[45] Date of Patent: ** May 2, 2000

[54] HINGED DOOR HANDLE ASSEMBLY

5,388,875 2/1995 Fleming 292/DIG. 46

[75] Inventors: James B. Libby, Stillwater; Casey L. Carlson, Edina, both of Minn.; Duane T. Fier, Hudson, Wis.; Mark S. Hudoba, Hugo; Joseph G. Reithmeyer, Afton, both of Minn.

OTHER PUBLICATIONS

Weslock National Brochure; "Plantation" entry handleset.

Primary Examiner—B. J. Bullock
Attorney, Agent, or Firm—Merchant & Gould P.C.

[73] Assignee: Andersen Corporation, Bayport, Minn.

[57] CLAIM

[**] Term: 14 Years

The ornamental design for a hinged door handle assembly, as shown and described.

[21] Appl. No.: 29/097,683

DESCRIPTION

[22] Filed: Dec. 11, 1998

FIG. 1 is a front perspective view of a hinged door handle assembly;

[51] LOC (7) Cl. 08-06

FIG. 2 is a rear perspective view thereof;

[52] U.S. Cl. D8/301; D8/308; D8/352

FIG. 3 is an enlarged front elevational view thereof;

[58] Field of Search D8/300-302, 308, D8/352; 16/110 R; 292/336.3, DIG. 46

FIG. 4 is a rear elevational view thereof;

FIG. 5 is a right side elevational view thereof;

FIG. 6 is a left side elevational view thereof;

FIG. 7 is a top plan view thereof; and,

FIG. 8 is a bottom plan view thereof.

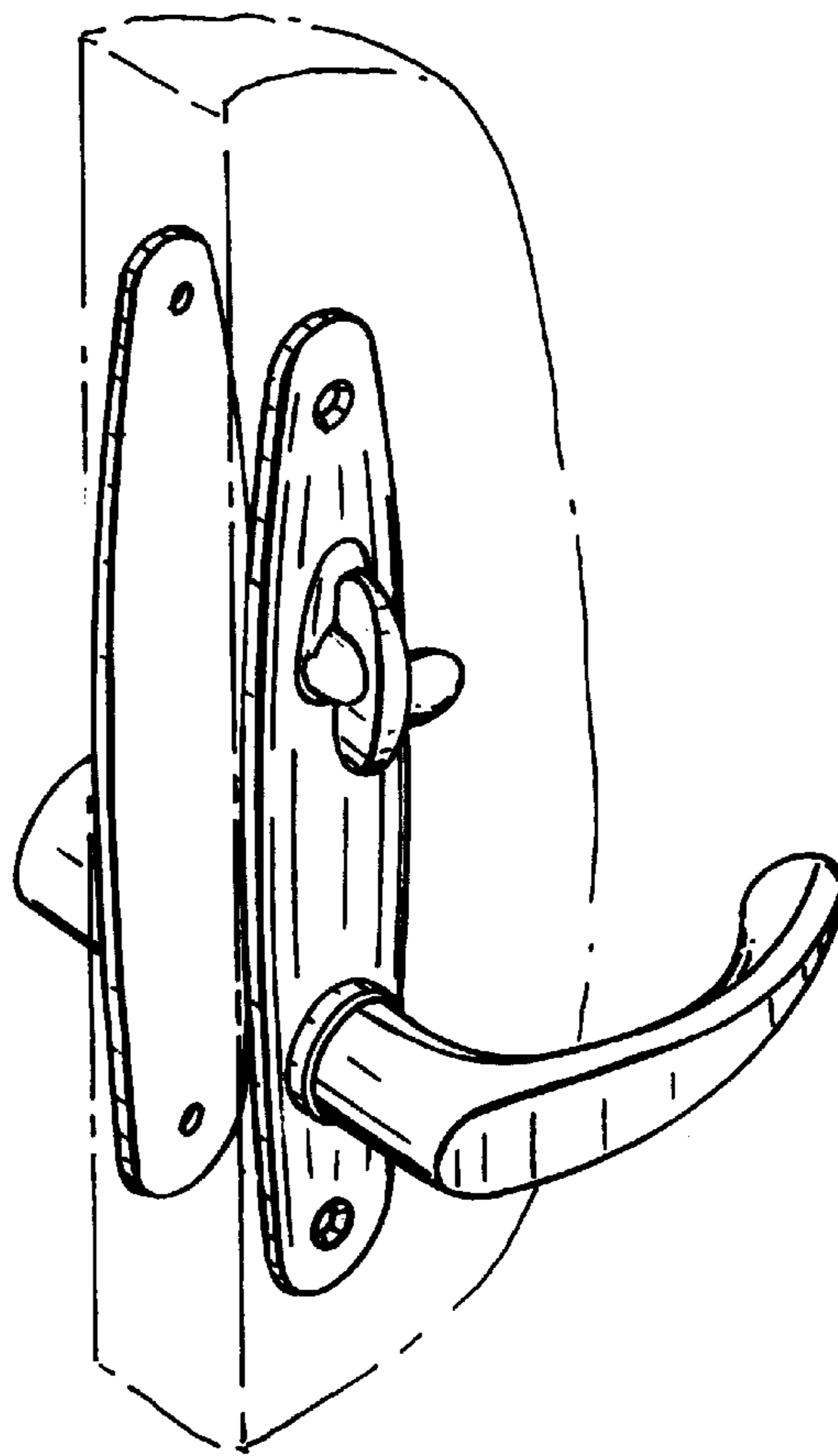
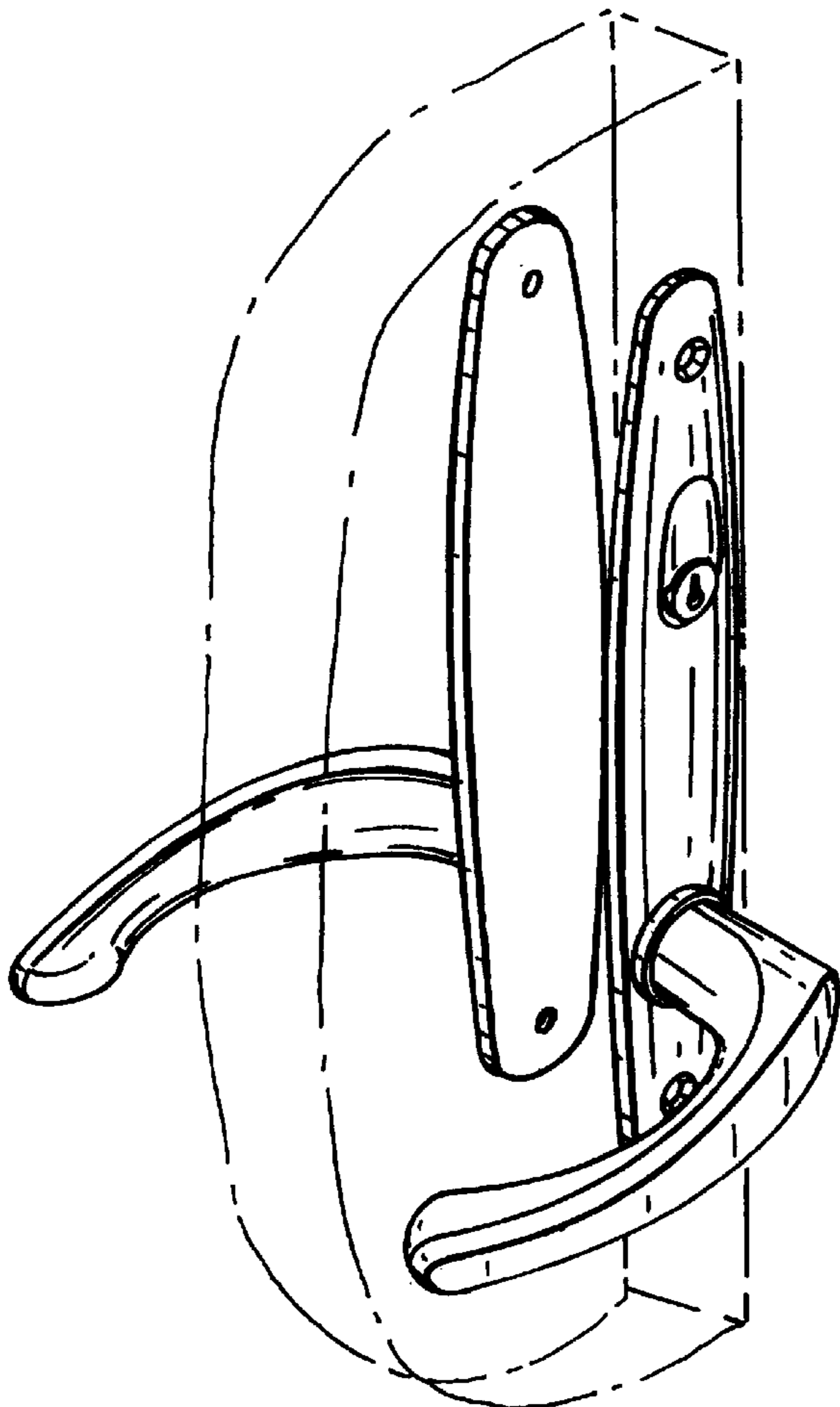
[56] References Cited

U.S. PATENT DOCUMENTS

D. 261,726	11/1981	Valli	D8/301
D. 312,565	12/1990	Abraham et al. .	
D. 314,129	1/1991	Zanini	D8/301
D. 339,280	9/1993	Bray et al.	D8/301

The broken line showings of a portion of a door in FIGS. 1, 2, 5, 6, 7 and 8 are for illustrative purposes only and form no part of the claimed design.

1 Claim, 5 Drawing Sheets



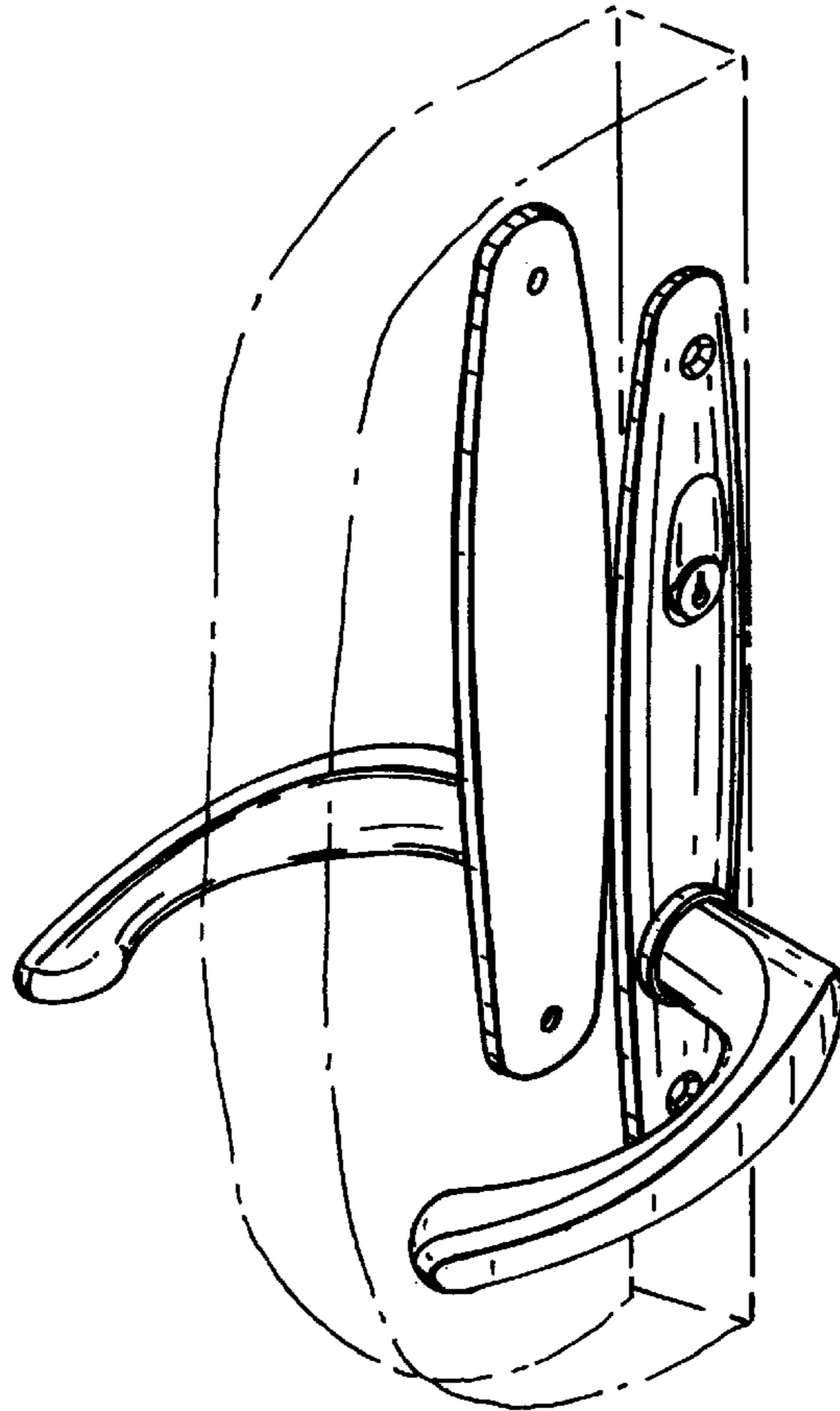


FIG. 1

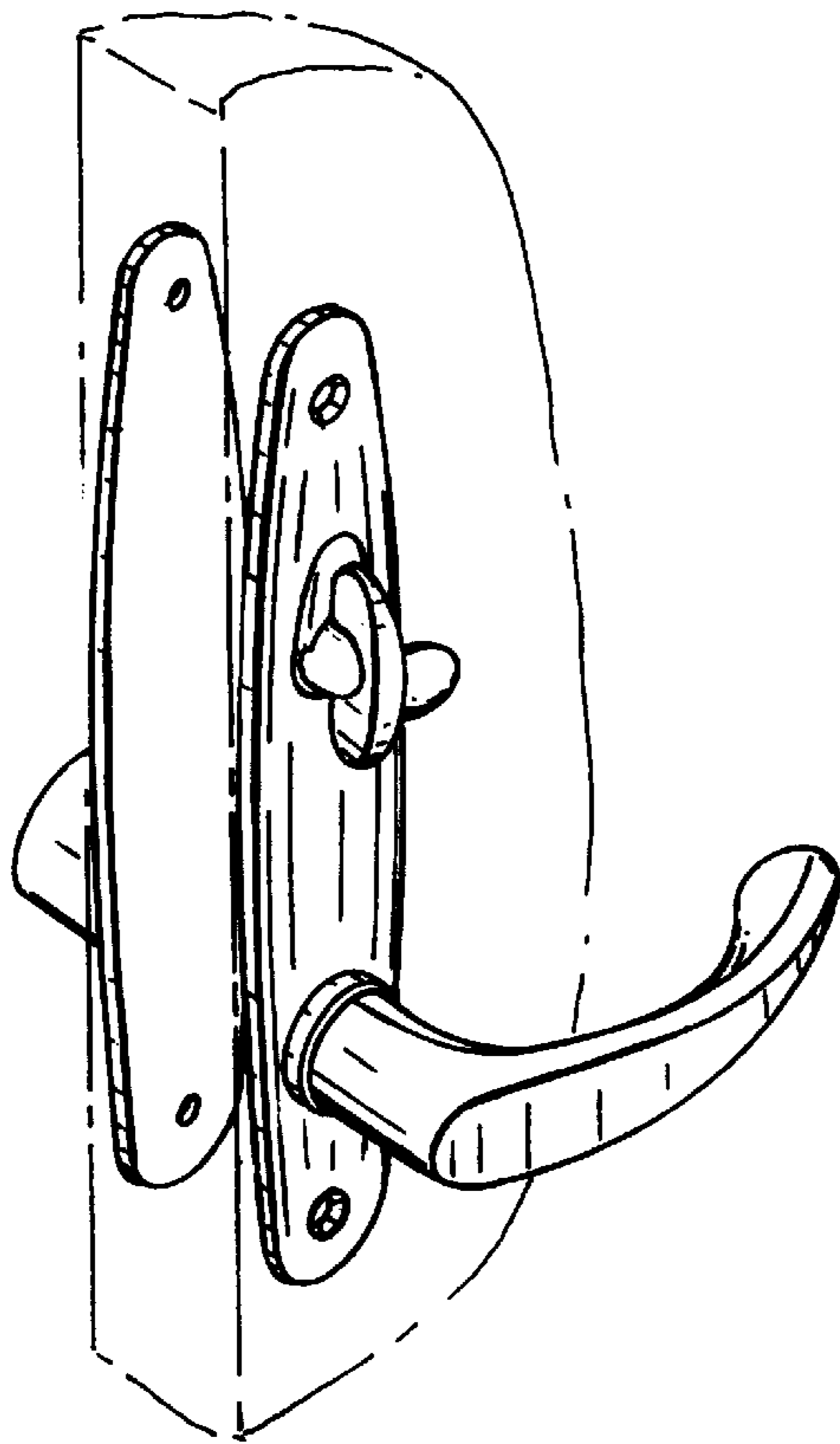


FIG. 2

FIG. 4

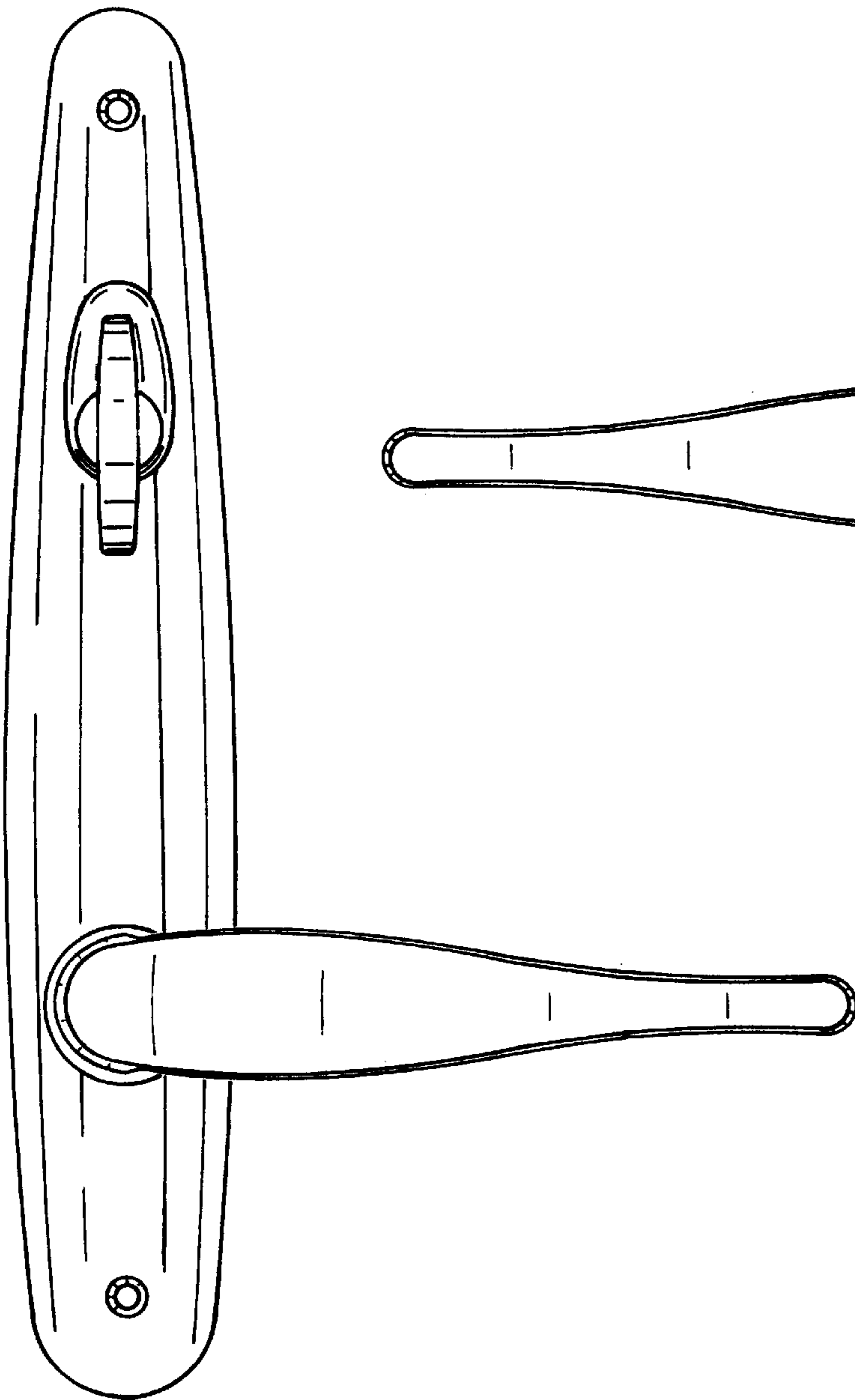


FIG. 3

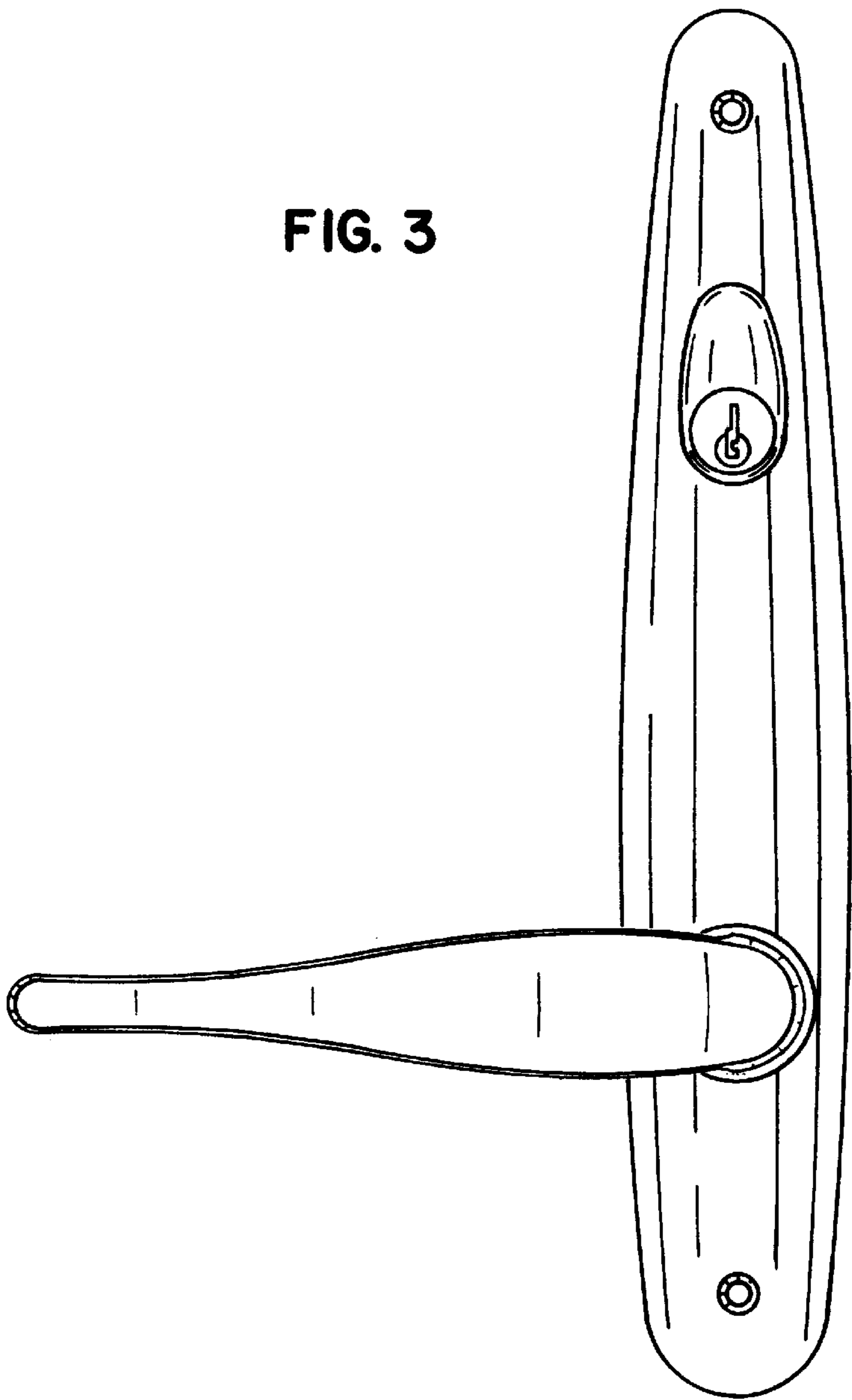


FIG. 5

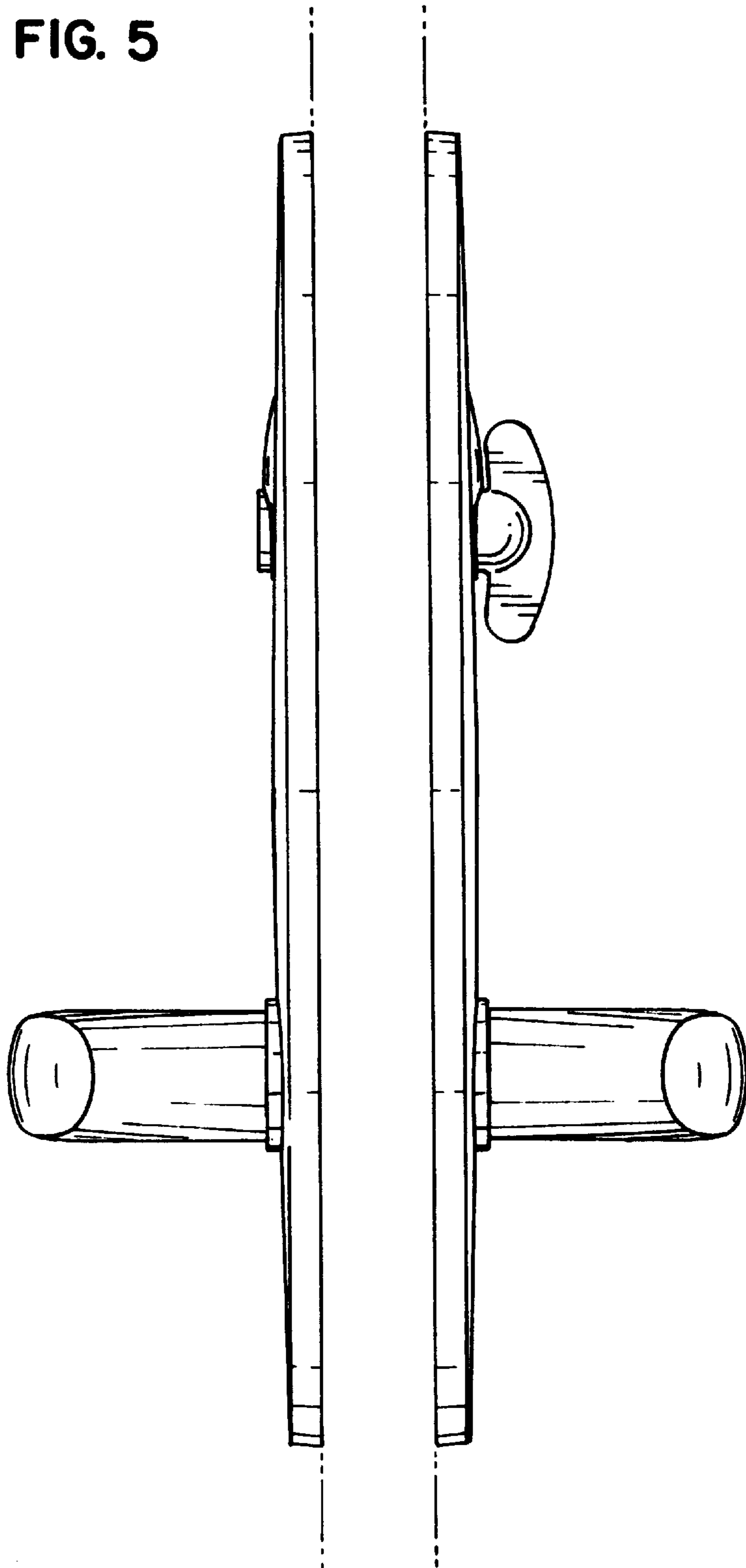


FIG. 6

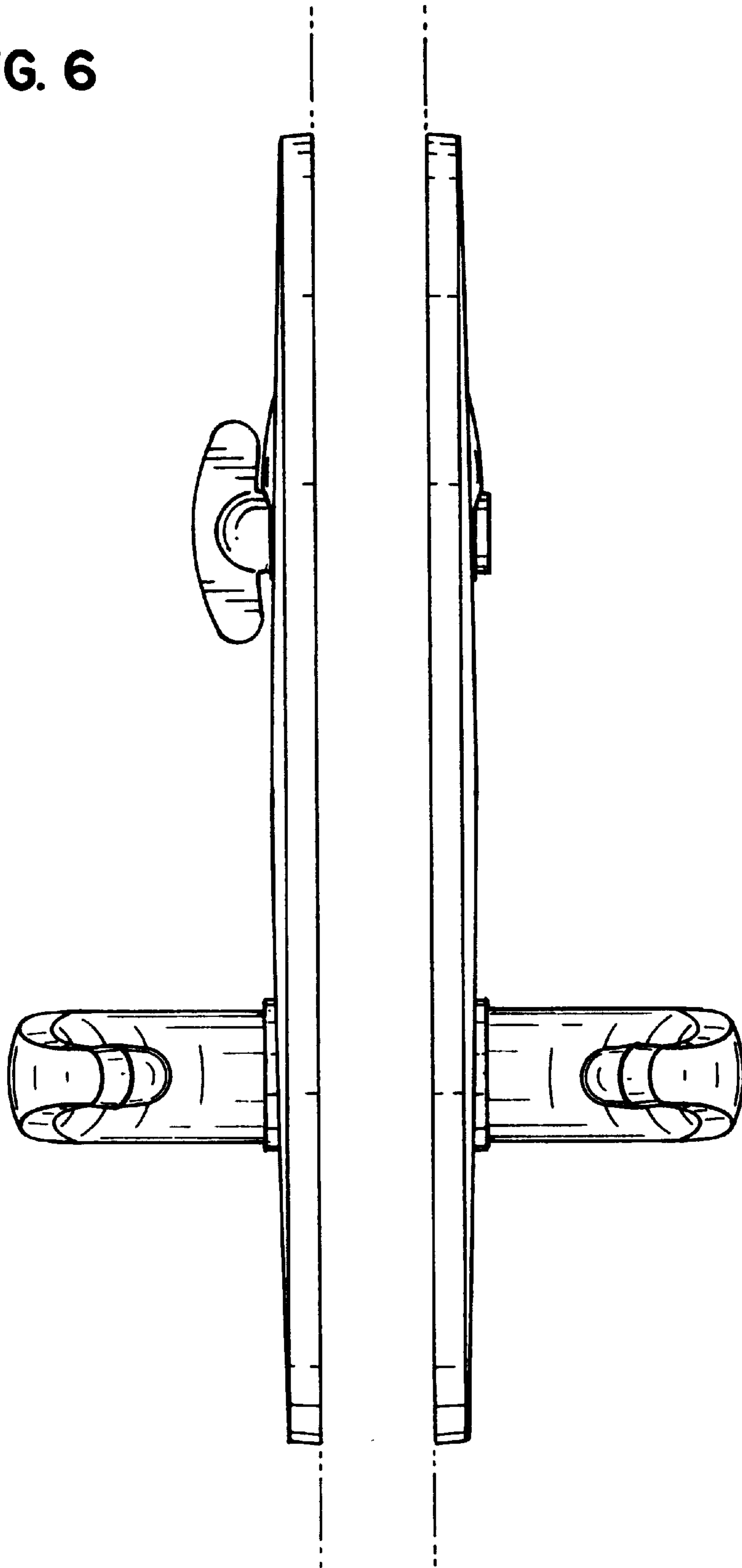


FIG. 7

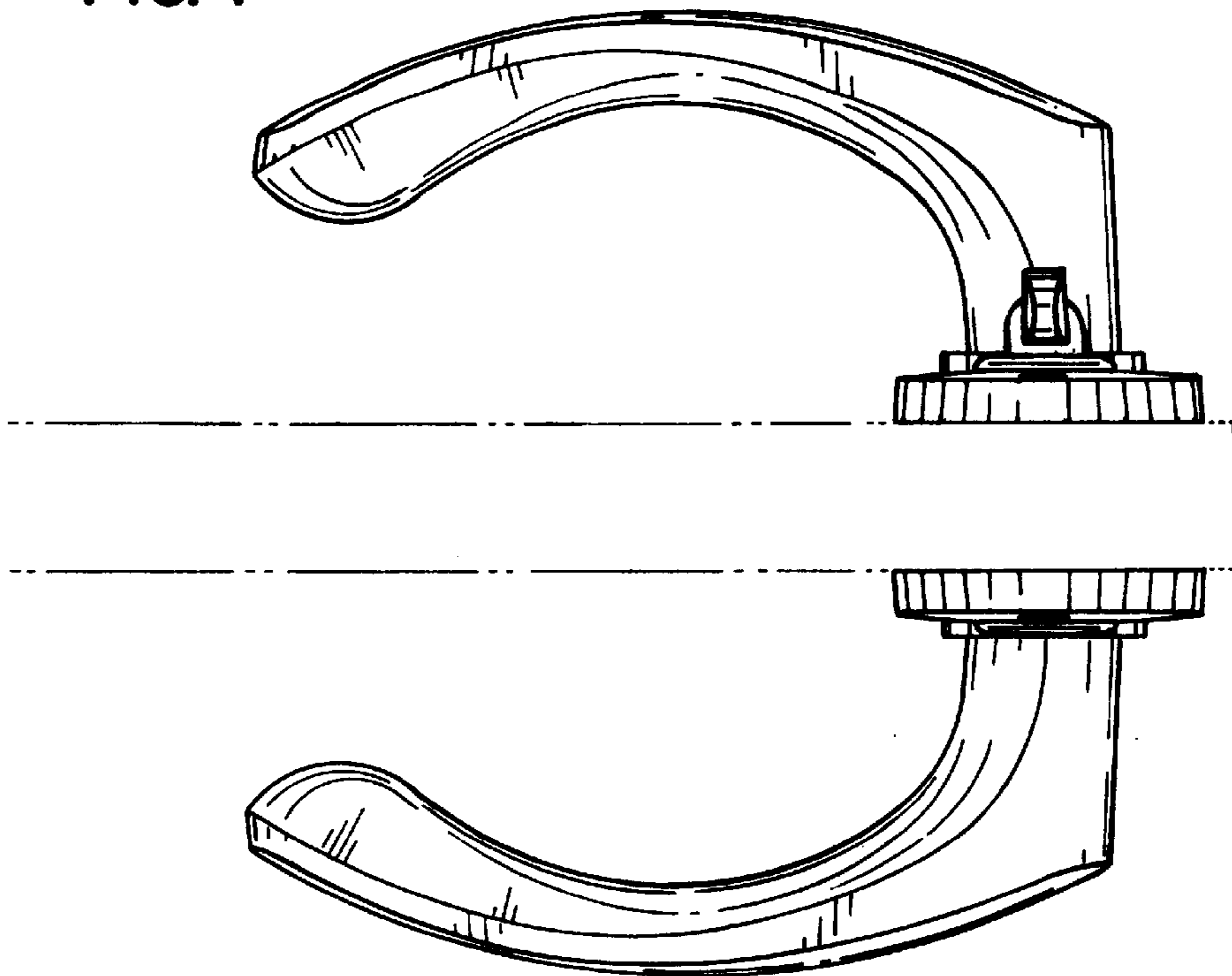


FIG. 8

