



US00D423900S

**United States Patent** [19]  
**Hung**

[11] **Patent Number: Des. 423,900**

[45] **Date of Patent: \*\* May 2, 2000**

[54] **SCREWDRIVER**

[76] Inventor: **Kun-Chin Hung**, P.O. Box 2103,  
Taichung, Taiwan

[\*\*] Term: **14 Years**

[21] Appl. No.: **29/103,373**

[22] Filed: **Apr. 14, 1999**

[51] **LOC (7) Cl.** ..... **08-04**

[52] **U.S. Cl.** ..... **D8/83; D8/87; D8/85**

[58] **Field of Search** ..... **D8/82, 83, 84,**  
**D8/85, 86, 87, 107; 81/436, 437, 438, 439,**  
**440, 177.1; 16/110 R**

[56] **References Cited**

**U.S. PATENT DOCUMENTS**

- D. 312,563 12/1990 Hillinger ..... D8/83
- D. 358,316 5/1995 Markwart et al. .... D8/82

- D. 363,012 10/1995 Humphries ..... D8/83
- D. 376,305 12/1996 Kung ..... D8/87
- D. 404,277 1/1999 Shiao ..... D8/83
- D. 405,335 2/1999 Lin ..... D8/82
- D. 412,096 7/1999 Kung et al. .... D8/87

*Primary Examiner*—Philip S. Hyder

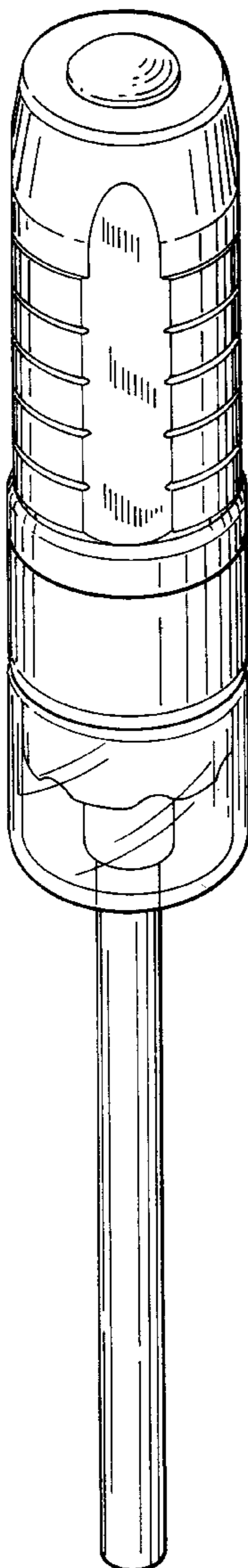
[57] **CLAIM**

The ornamental design for a screwdriver, as shown and described.

**DESCRIPTION**

FIG. 1 is a perspective view of a screwdriver showing my invention;  
FIG. 2 is a front elevational view thereof; wherein the rear, the right side, and the left side views are identical thereto;  
FIG. 3 is a top view thereof; and,  
FIG. 4 is a bottom view thereof.

**1 Claim, 3 Drawing Sheets**



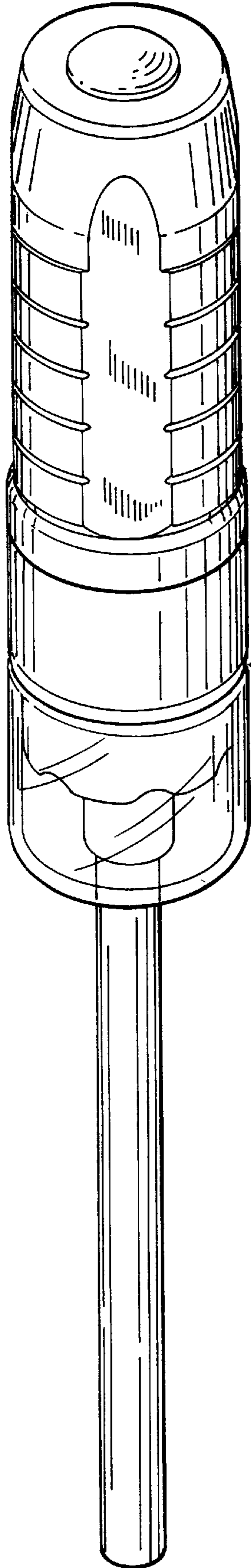


FIG . 1

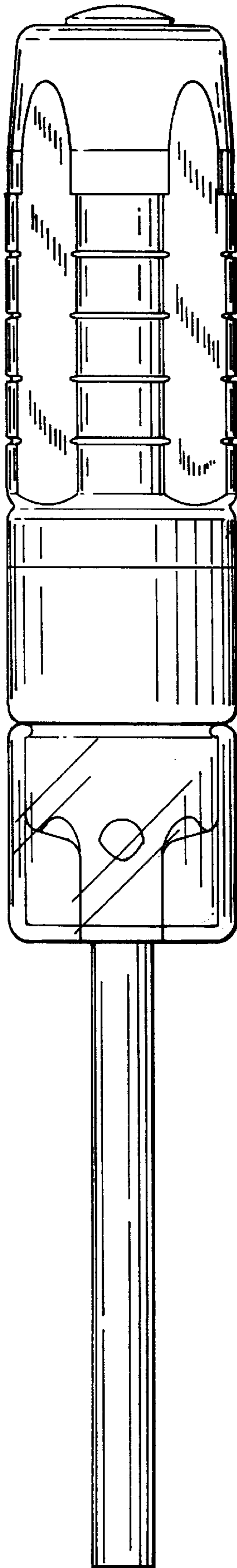


FIG . 2

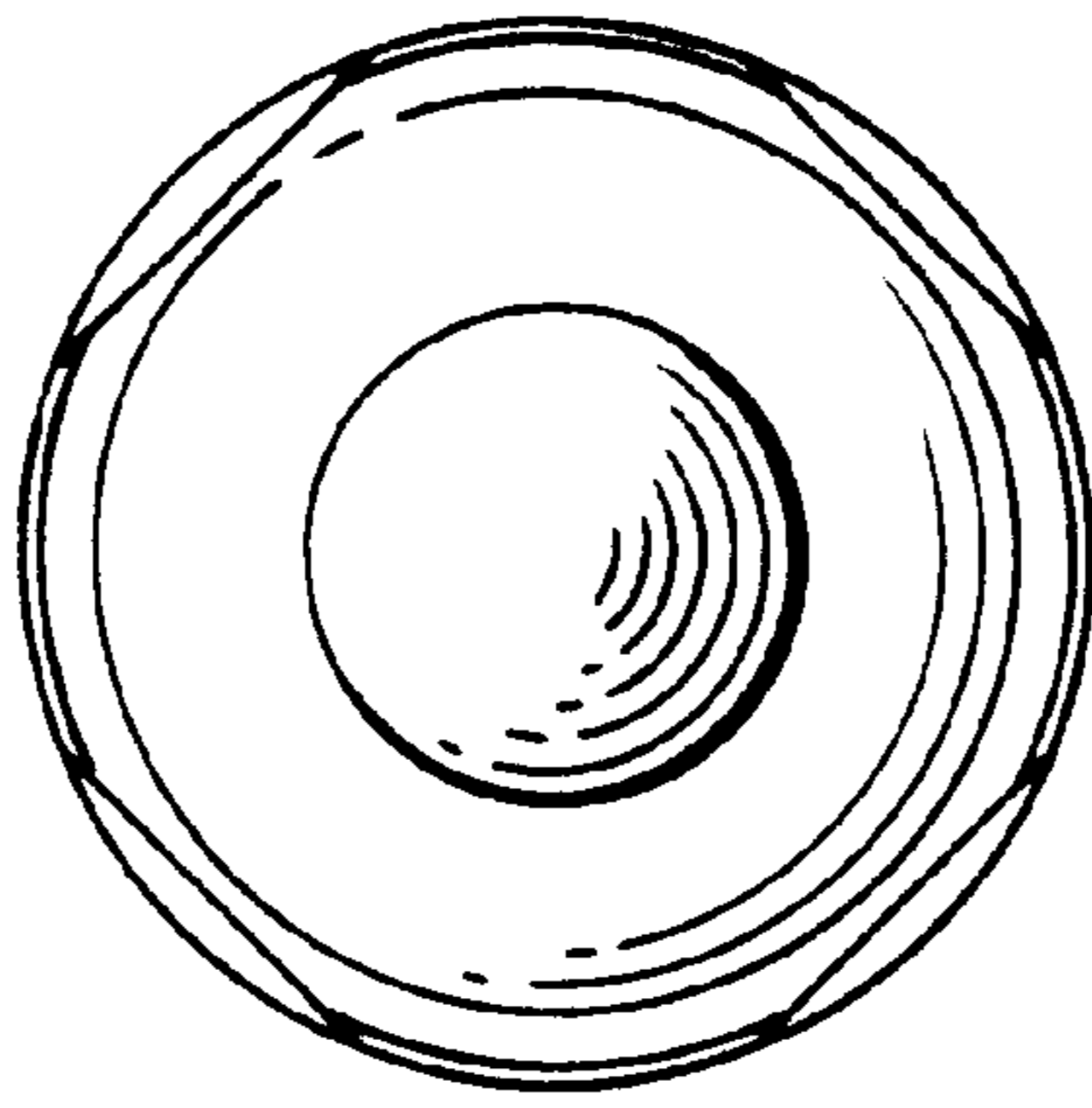


FIG . 3

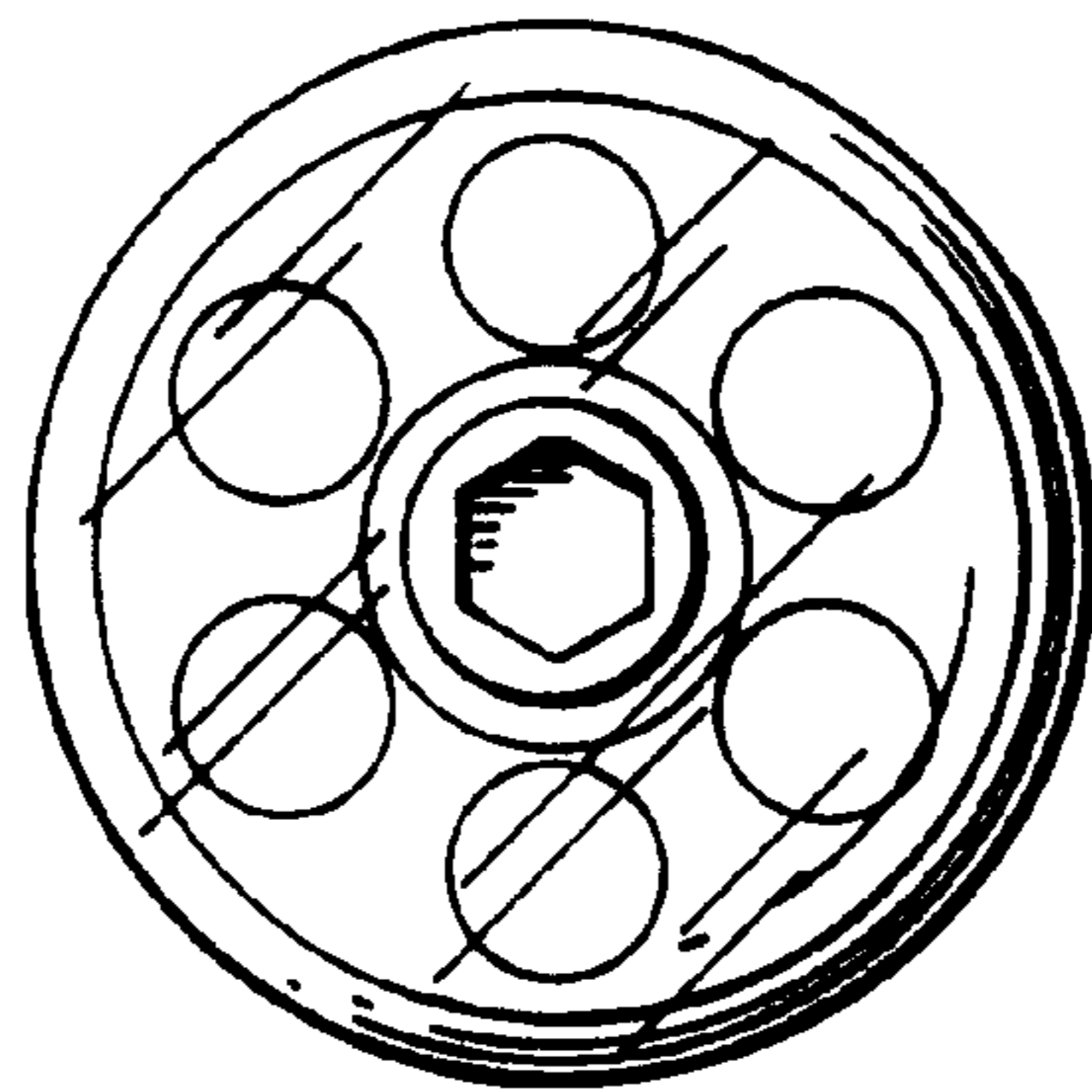


FIG . 4