



US00D423899S

United States Patent [19]

[11] Patent Number: **Des. 423,899**

Yasutomi et al.

[45] Date of Patent: **** *May 2, 2000**

[54] **INNER SOCKET**

[75] Inventors: **Sueharu Yasutomi**, Osaka; **Shozo Matsumura**, Toyonaka; **Daijiro Yano**, Tondabayashi; **Koichi Nakayama**, Yao, all of Japan

[73] Assignee: **Maeda Metal Industries, Ltd.**, Japan

[*] Notice: This patent is subject to a terminal disclaimer.

[**] Term: **14 Years**

[21] Appl. No.: **29/095,551**

[22] Filed: **Oct. 26, 1998**

[30] Foreign Application Priority Data

Apr. 27, 1998 [JP] Japan 10-12384

[51] **LOC (7) Cl.** **08-05**

[52] **U.S. Cl.** **D8/70**

[58] **Field of Search** D8/61, 70; 81/56, 81/57.13, 57.14, 429, 467-469, 57.11; 173/169, 170

[56] References Cited

U.S. PATENT DOCUMENTS

2,714,026 7/1955 Schultz .

4,472,985	9/1984	Orikasa	81/56
5,490,439	2/1996	Matsumura et al.	81/469
5,550,416	8/1996	Fanchang et al.	310/83
5,582,079	12/1996	Matsumura et al.	81/56
5,816,121	10/1998	Yoshimizu et al.	81/469
5,881,613	3/1999	Han	81/429

Primary Examiner—Nelson C. Holtje
Attorney, Agent, or Firm—Bracewell & Patterson L.L.P.

[57] CLAIM

The ornamental design for inner socket, as shown and described.

DESCRIPTION

FIG. 1 is a perspective view of an inner socket of the present invention;
FIG. 2 is a front view of the inner socket of the present invention;
FIG. 3 is a left side view of the inner socket of the present invention;
FIG. 4 is a right side view of the inner socket of the present invention;
FIG. 5 is a top plan view of the inner socket of the present invention;
FIG. 6 is a bottom plan view of the inner socket of the present invention; and,
FIG. 7 is a sectional view taken in the direction of arrows A, A on line of FIG. 3.

1 Claim, 1 Drawing Sheet

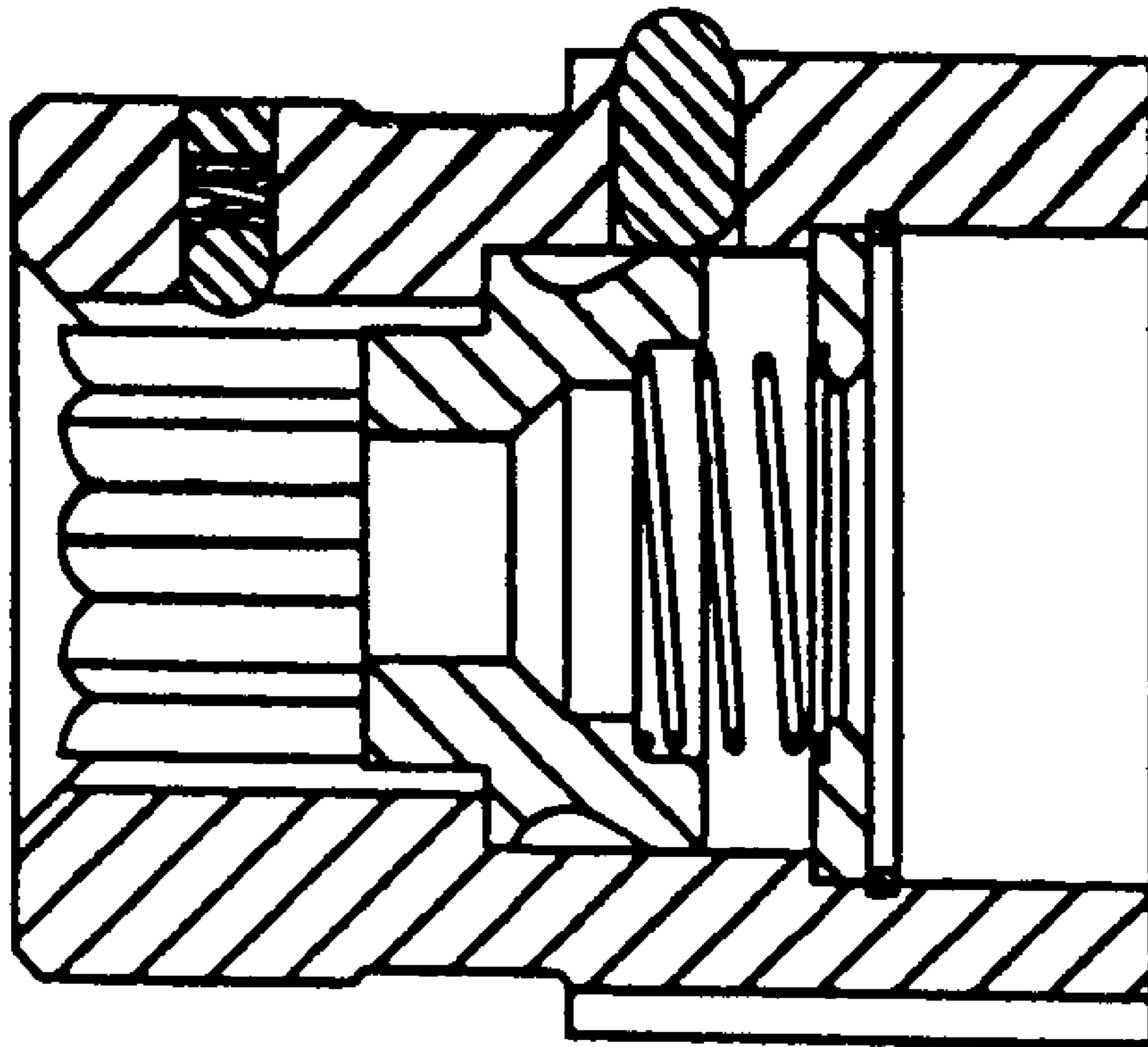


FIG. 1

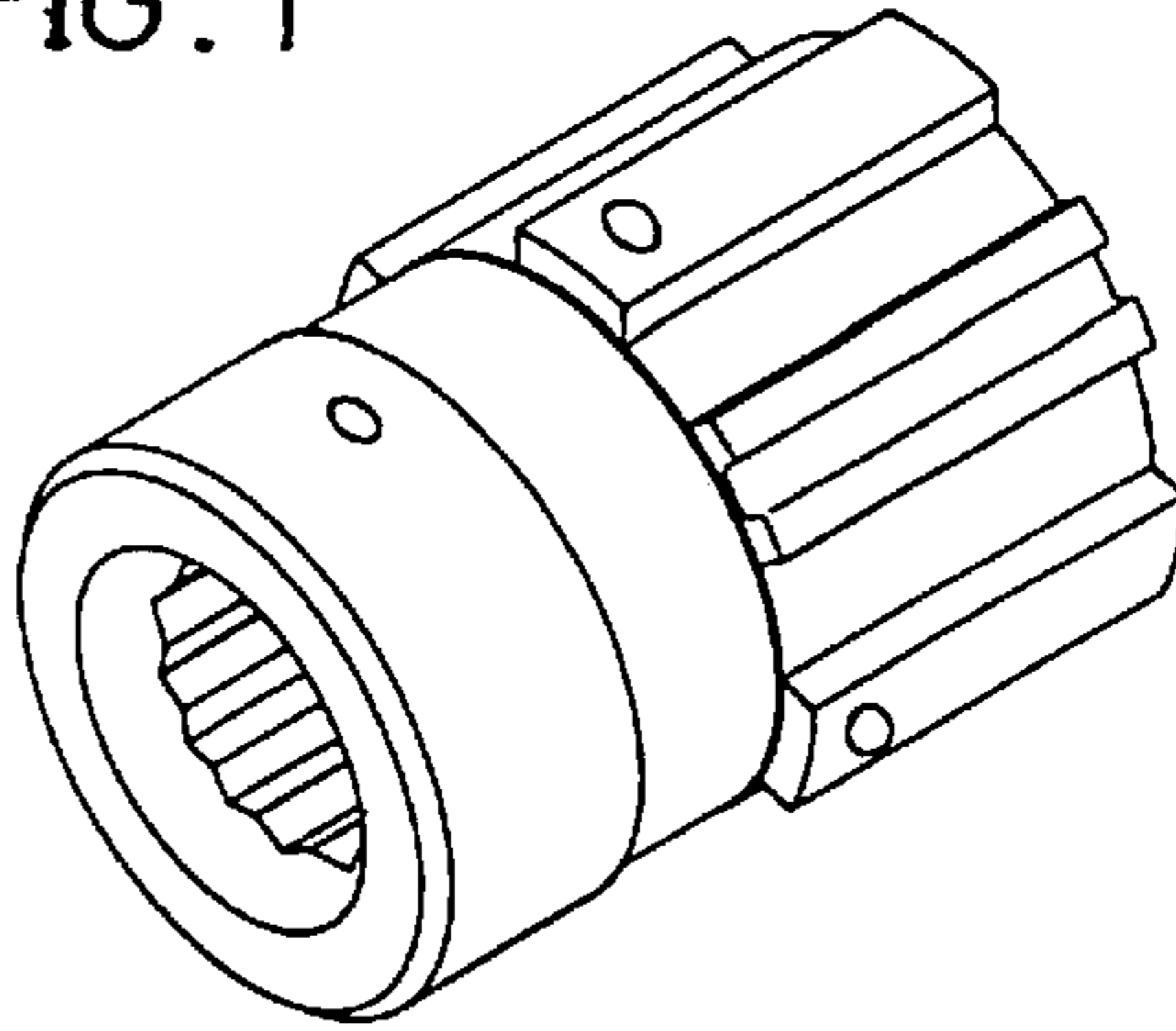


FIG. 3

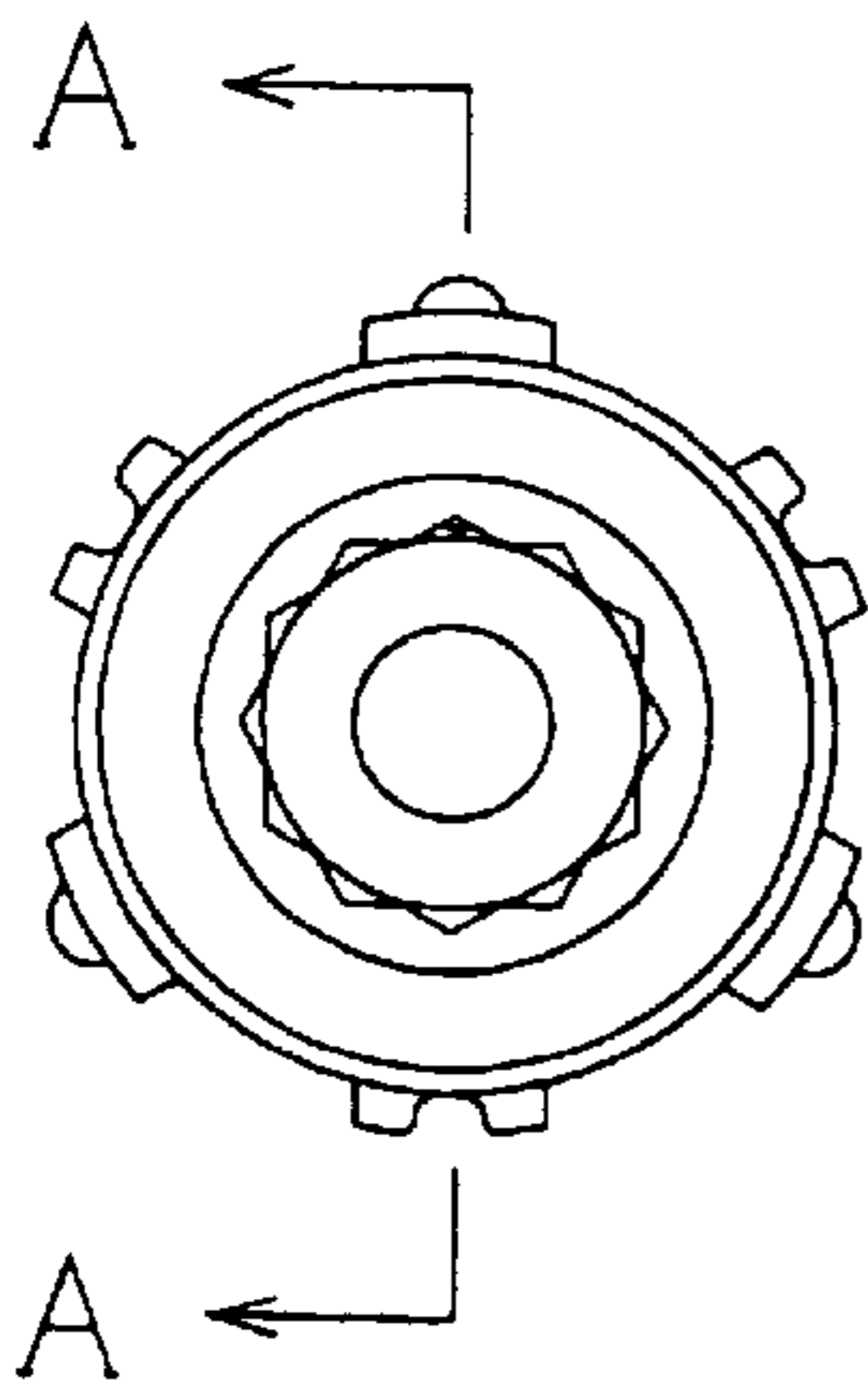


FIG. 2

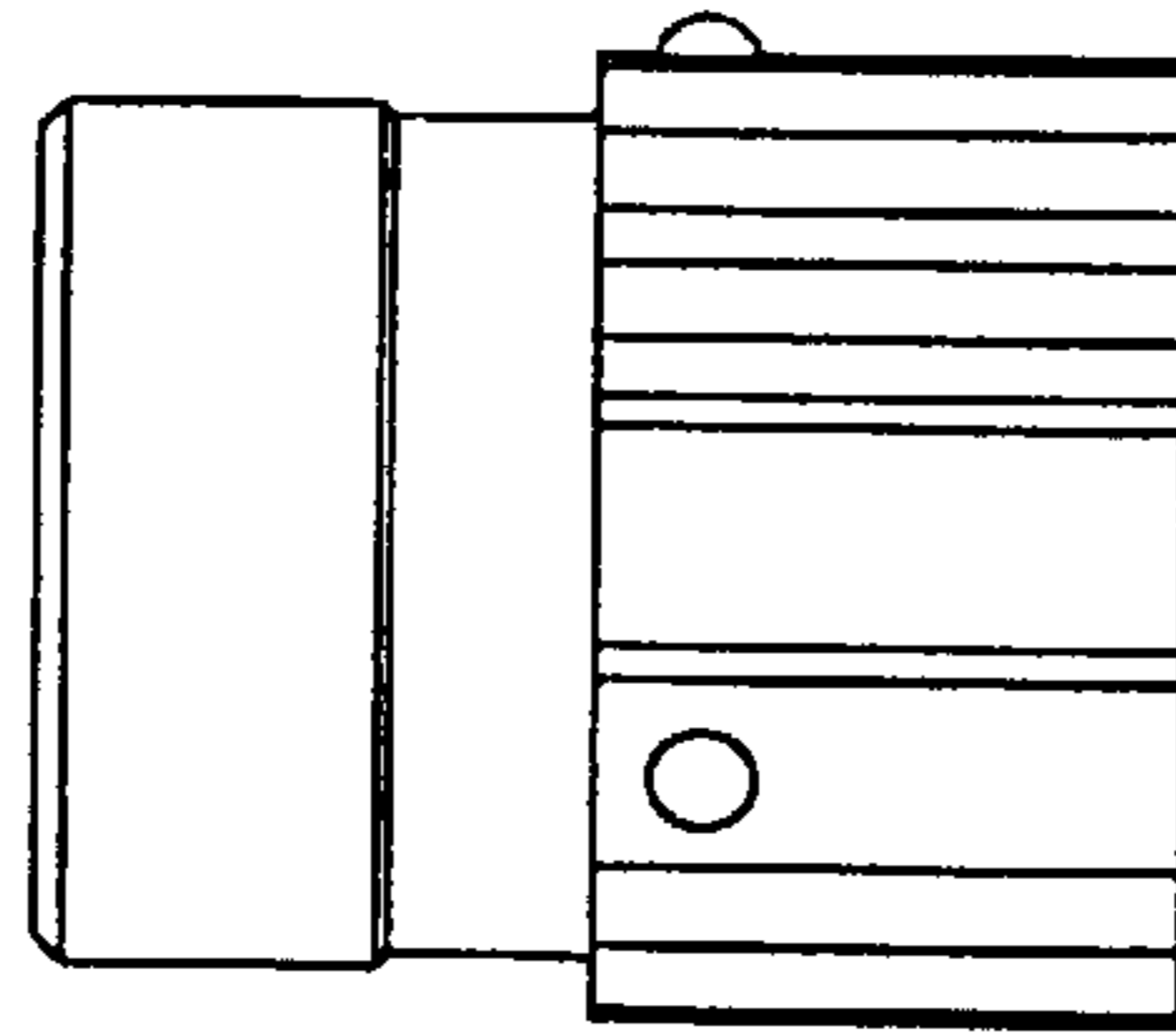


FIG. 4

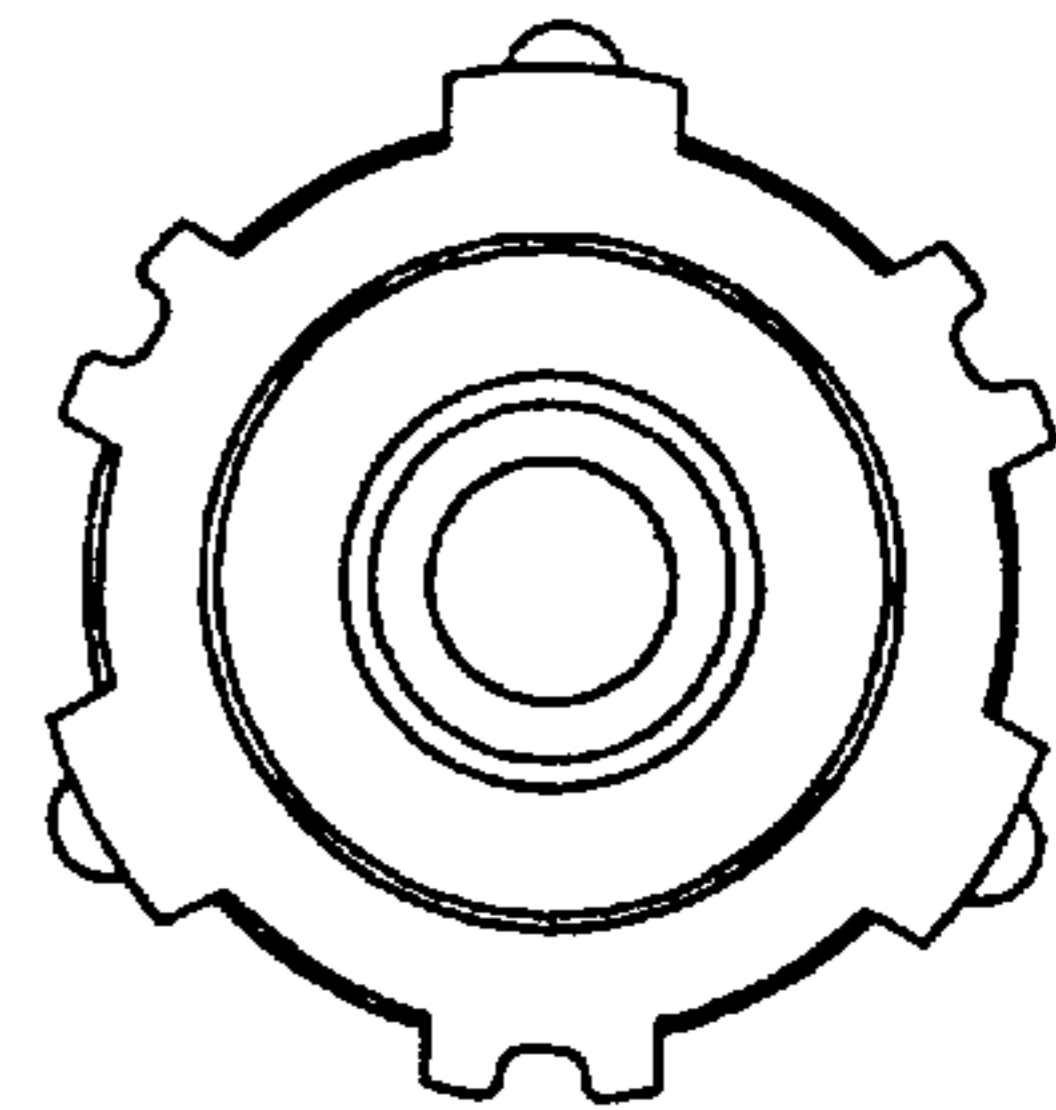


FIG. 5

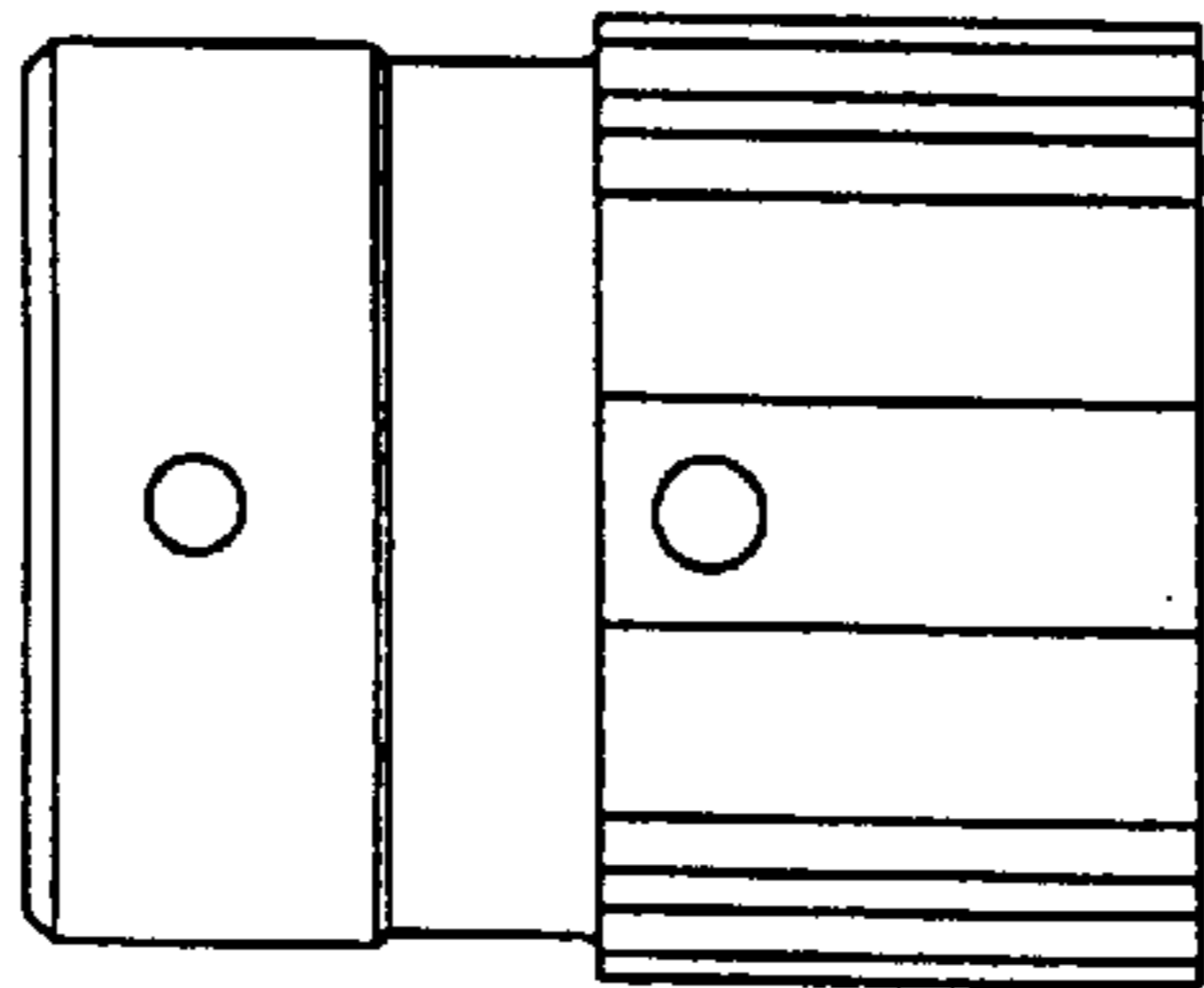


FIG. 6

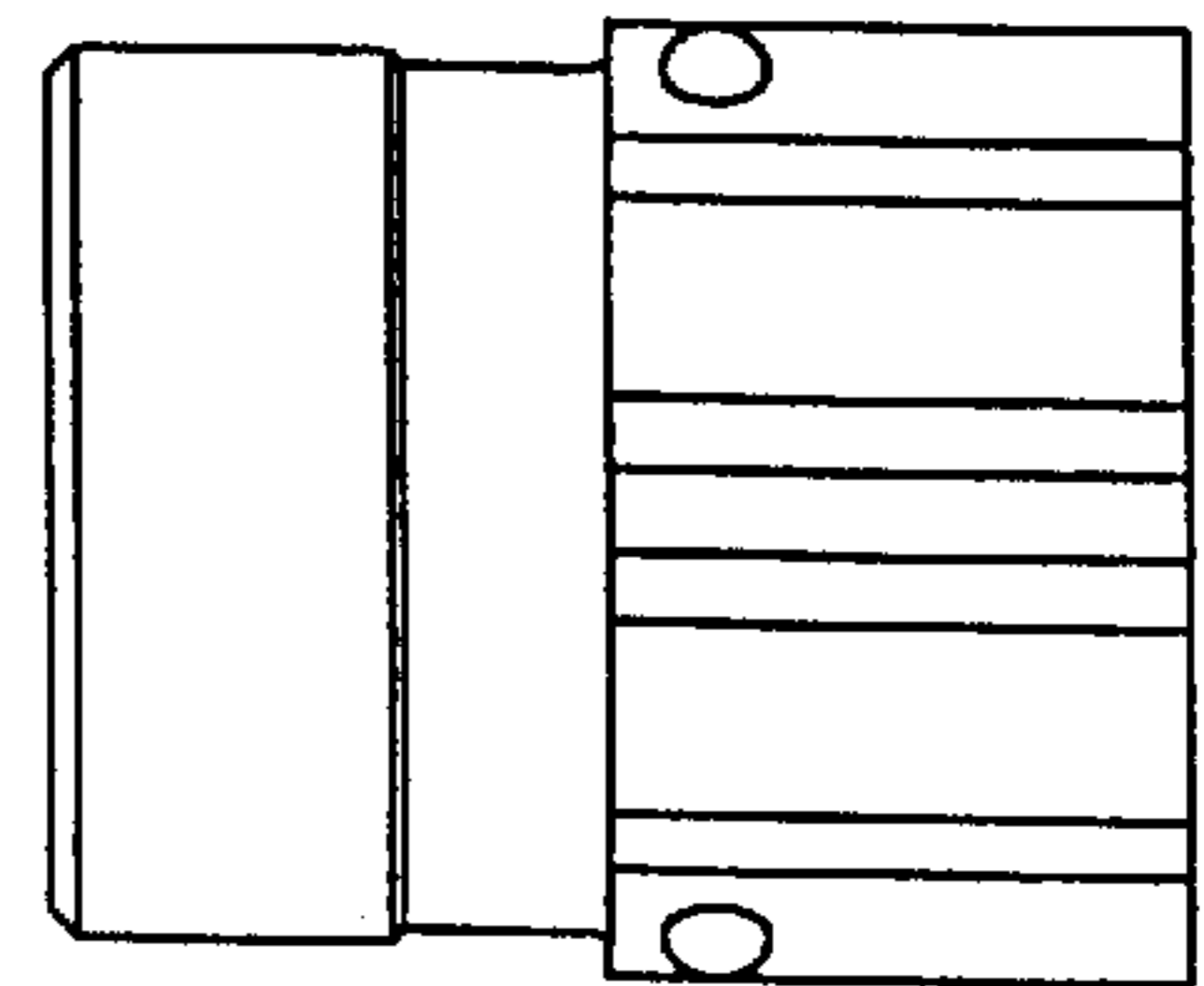


FIG. 7

