



US00D423898S

United States Patent [19]
Kelley

[11] **Patent Number: Des. 423,898**

[45] **Date of Patent: ** May 2, 2000**

[54] **UNDERCUT SAW**

[76] Inventor: **Daniel E. Kelley**, 31327 Emperor Dr., Canyon Lake, Calif. 92587

[**] Term: **14 Years**

[21] Appl. No.: **29/105,902**

[22] Filed: **Jun. 3, 1999**

Related U.S. Application Data

[63] Continuation-in-part of application No. 09/109,317, Jul. 1, 1998, Pat. No. 5,974,674.

[51] **LOC (7) Cl.** **08-03**

[52] **U.S. Cl.** **D8/64; D8/61**

[58] **Field of Search** D8/61, 62, 64, D8/65, 66, 68, 69, 70, 107, DIG. 7; 30/388, 166.3, 500, 272.1, 371, 374-377, 390, 391, 392-394; 81/489; 451/344, 352, 353, 451, 454, 358; 144/136.1, 136.95, 363, 371, 154.5

[56] **References Cited**

U.S. PATENT DOCUMENTS

D. 408,244	4/1999	Price	D8/62
1,806,582	5/1931	Beutner	30/390
2,274,421	2/1942	Lindstrom et al.	30/371
3,505,733	4/1970	Holden	30/166.3
4,972,588	11/1990	Briach, Sr.	30/388

5,012,582	5/1991	Bristol et al.	30/391
5,784,789	7/1998	Vargas	30/388
5,974,674	11/1999	Kelly	30/391

OTHER PUBLICATIONS

“Makita Disc Grinder 100 mm (4”) model N9514B Instruction Manual” published by Makita Corporation of America, Buford, Georgia; pre May 1997.

“Tylon Owner’s Operating Manual Angle Grinder Model 8303, 8313” published by Jenn Feng U.S.A. of Lincolnshire, Illinois; pre May 1997.

Primary Examiner—Martie K. Holtje
Attorney, Agent, or Firm—Loyal McKinley Hanson

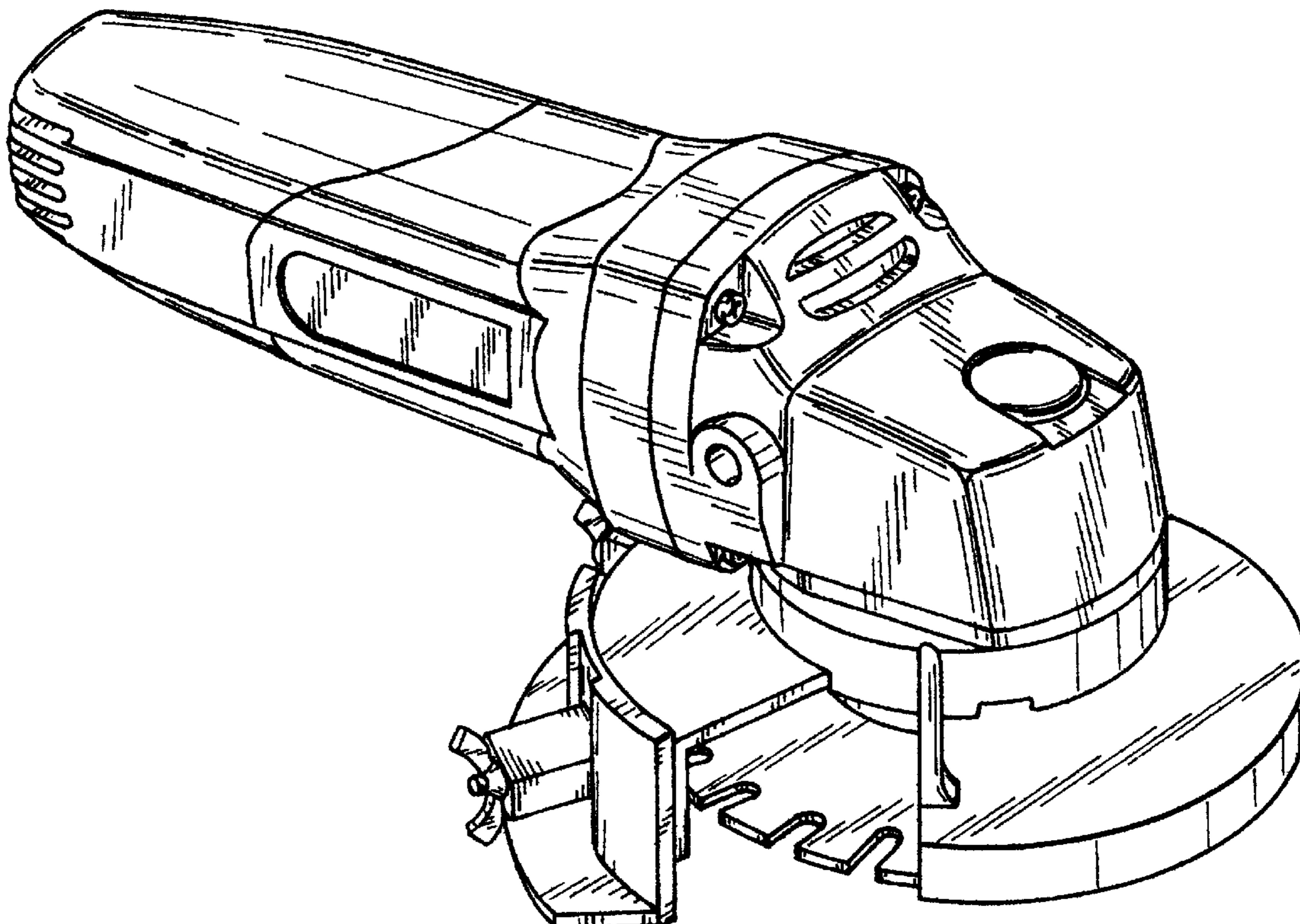
[57] **CLAIM**

I claim the ornamental design for an undercut saw, as shown.

DESCRIPTION

FIG. 1 of the drawings is an isometric view showing the top, front, and right side of an undercut saw embodying the design of my invention;
FIG. 2 is a side view showing the right side of the undercut saw;
FIG. 3 is a front view;
FIG. 4 is a top view;
FIG. 5 is a side view showing the left side view;
FIG. 6 is a rear view; and,
FIG. 7 is a bottom view.

1 Claim, 4 Drawing Sheets



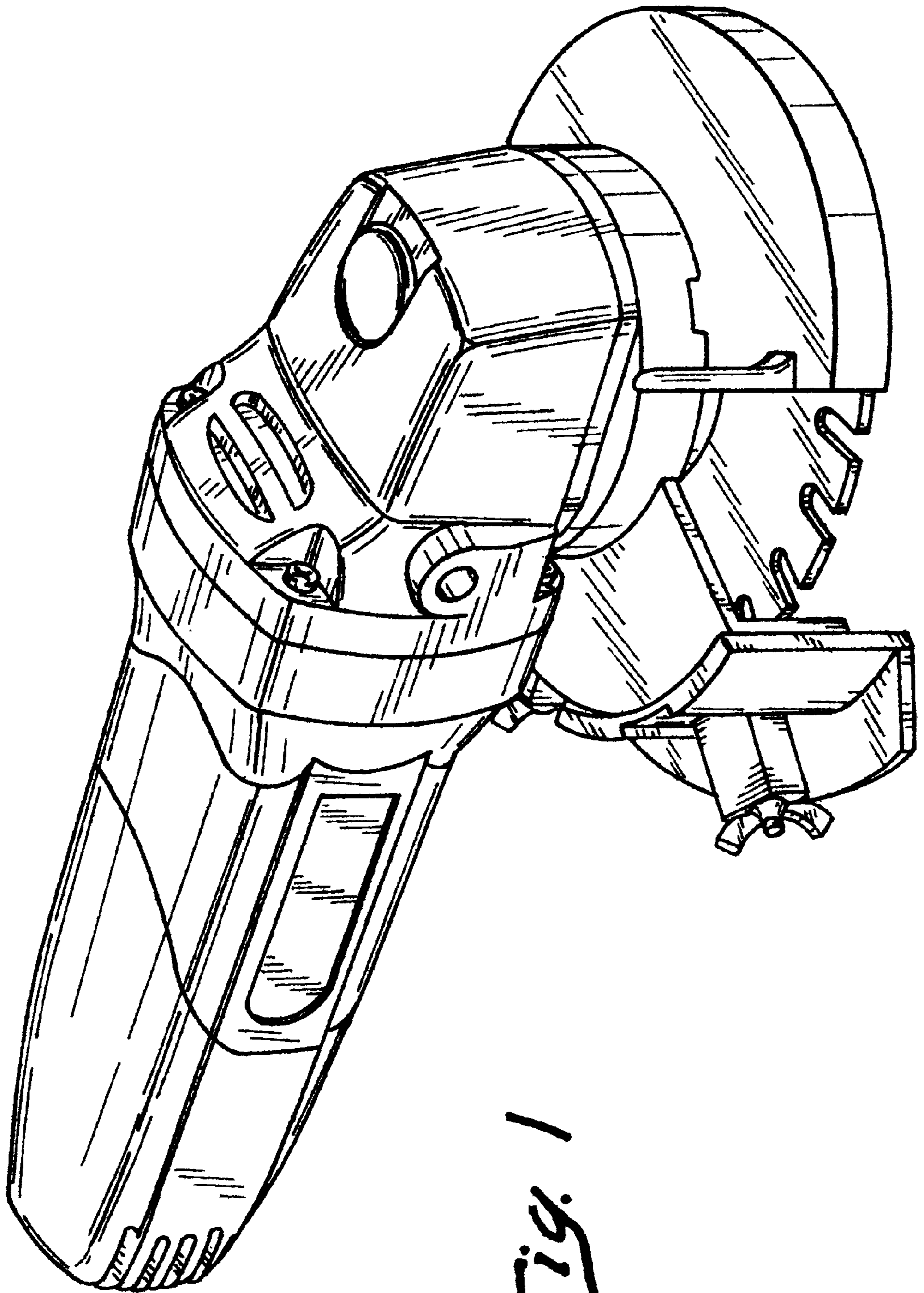


Fig. 1

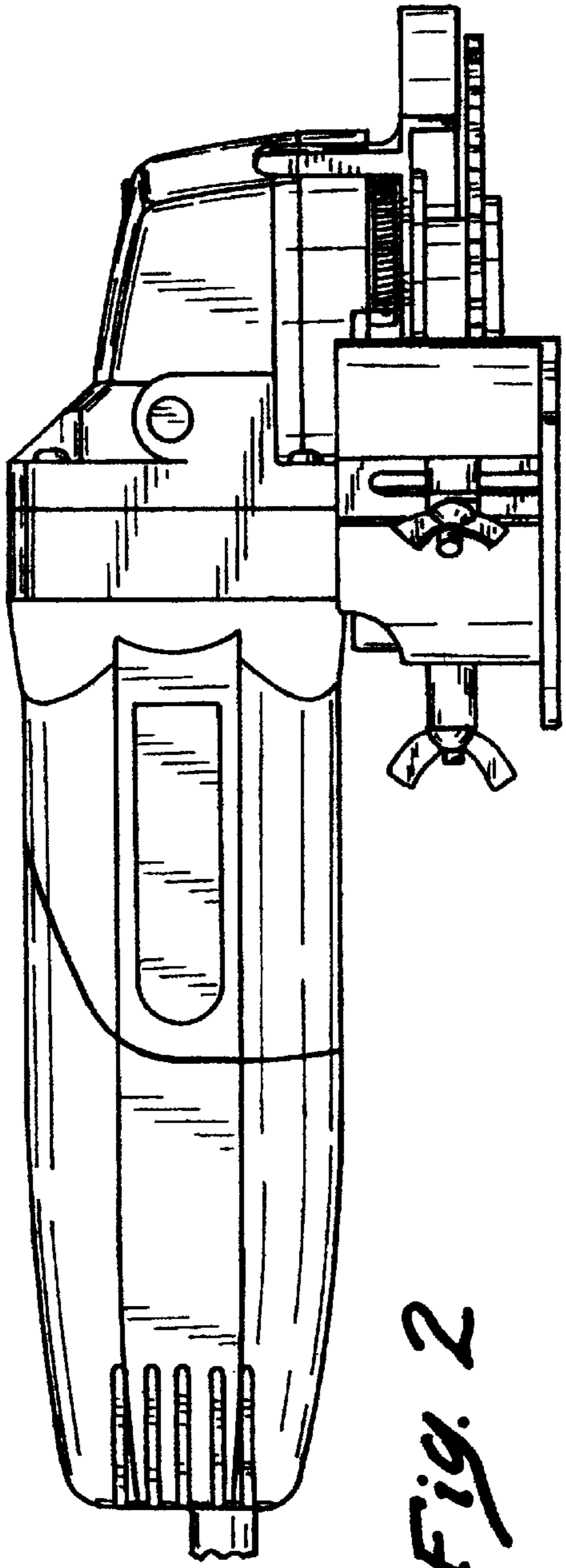


Fig. 2

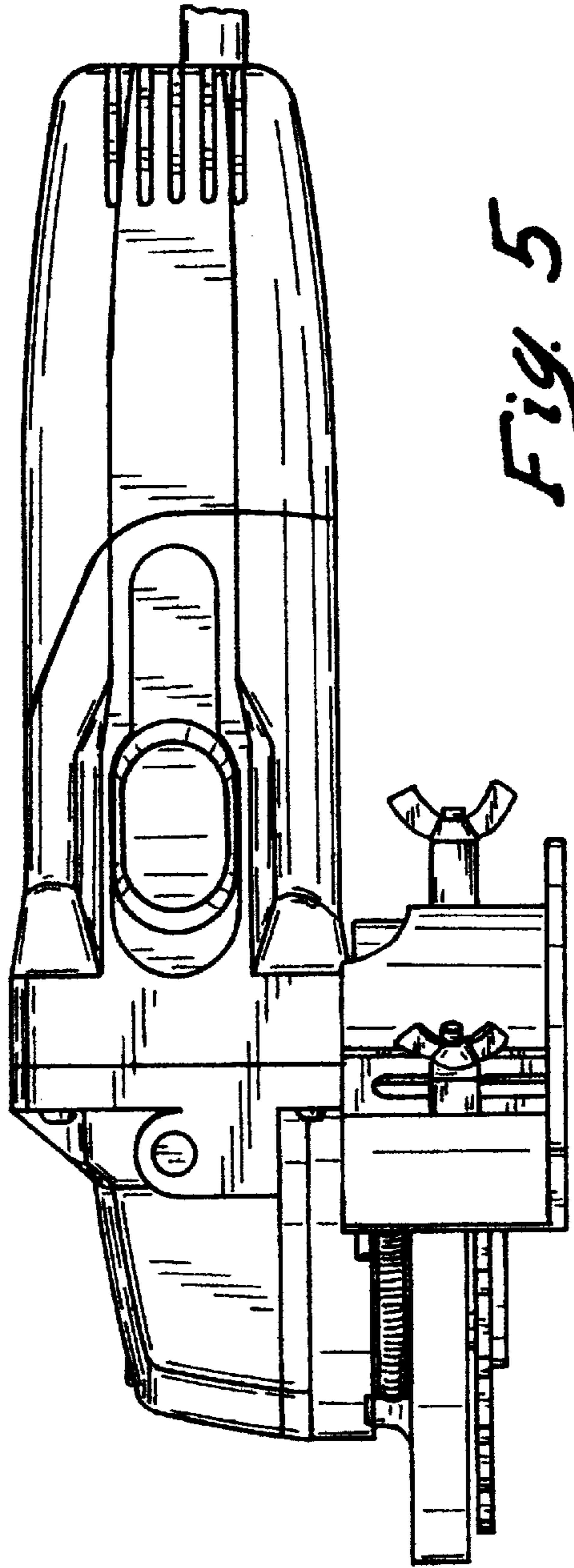


Fig. 5

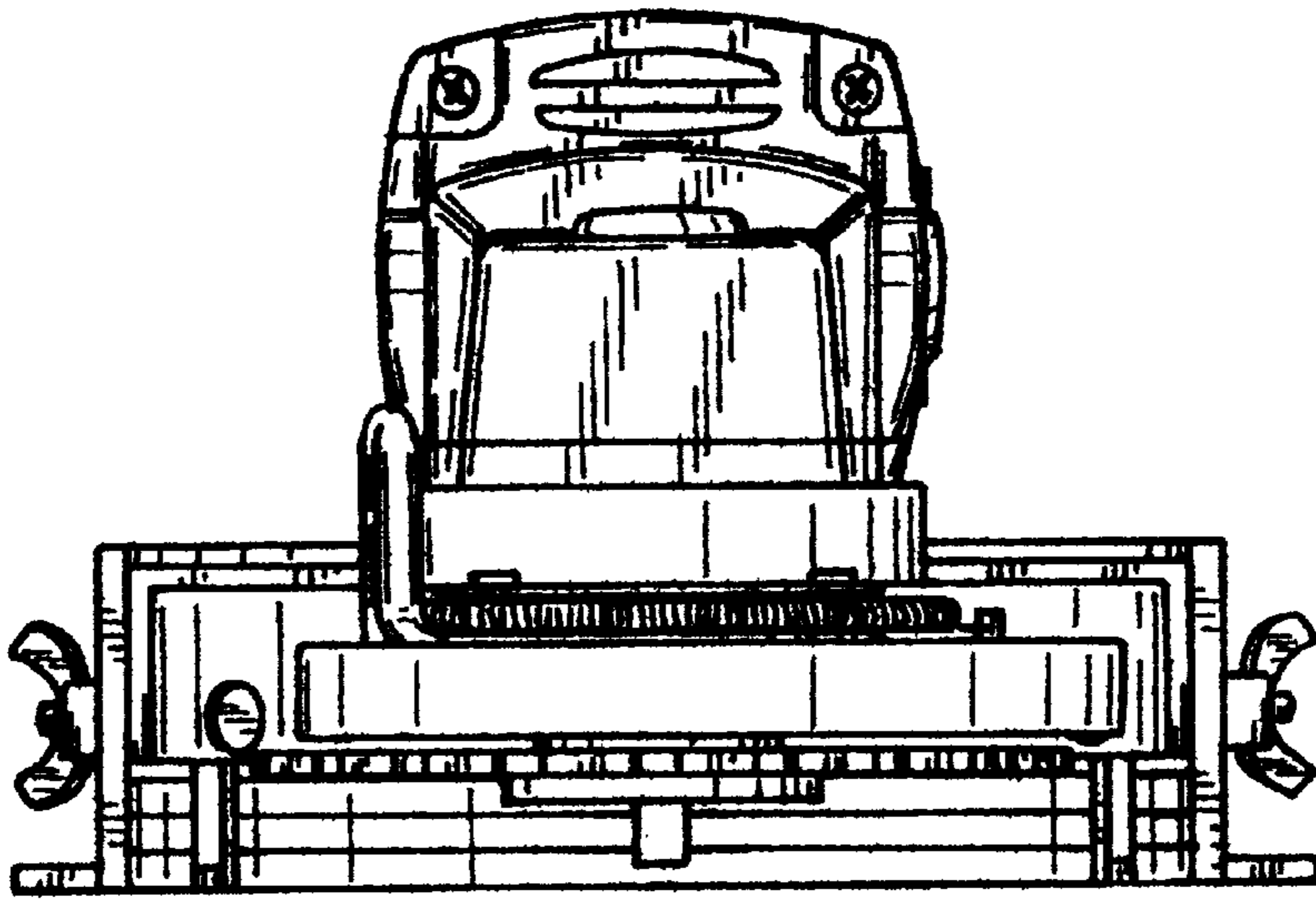


Fig. 3

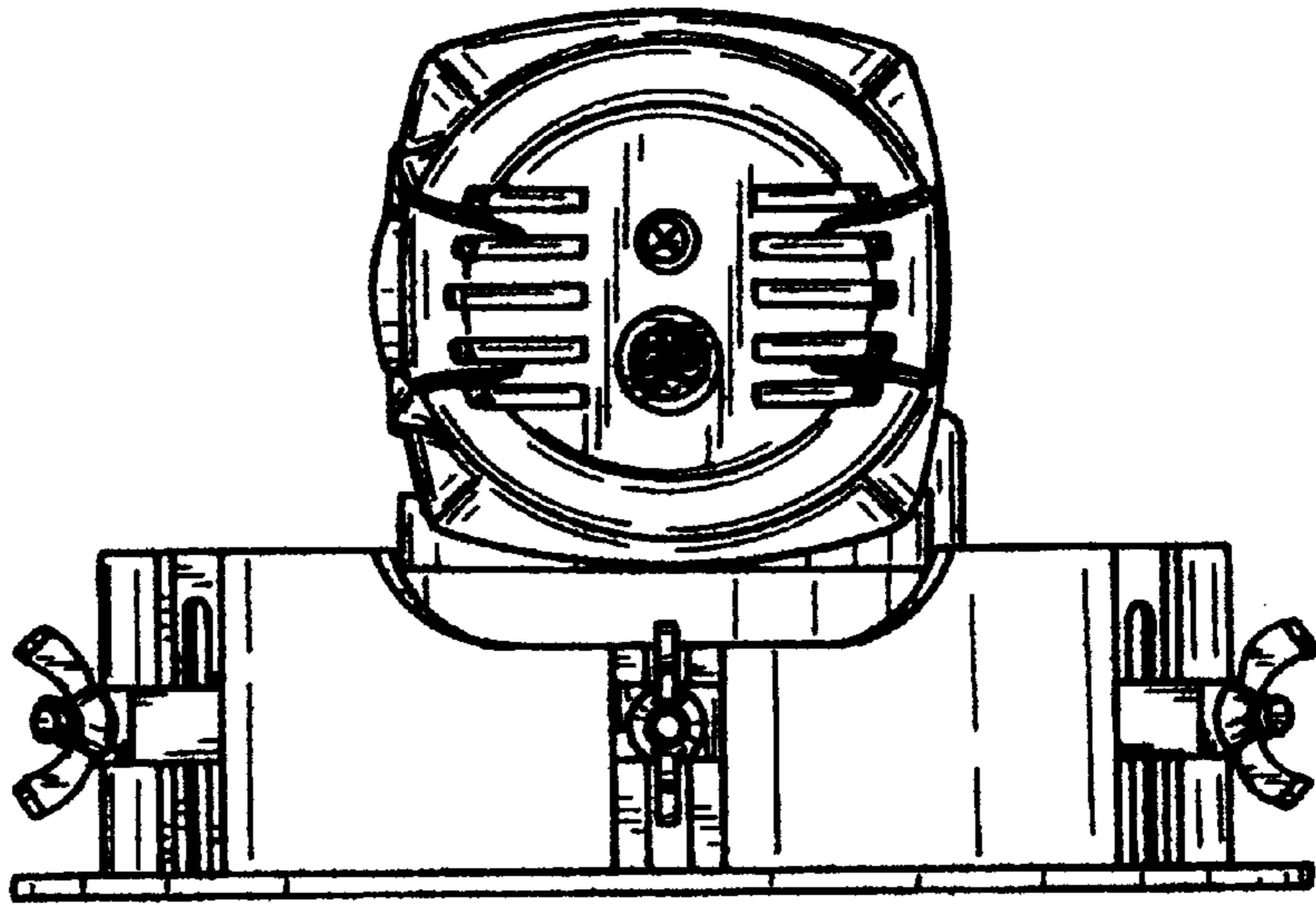


Fig. 6

Fig. 4

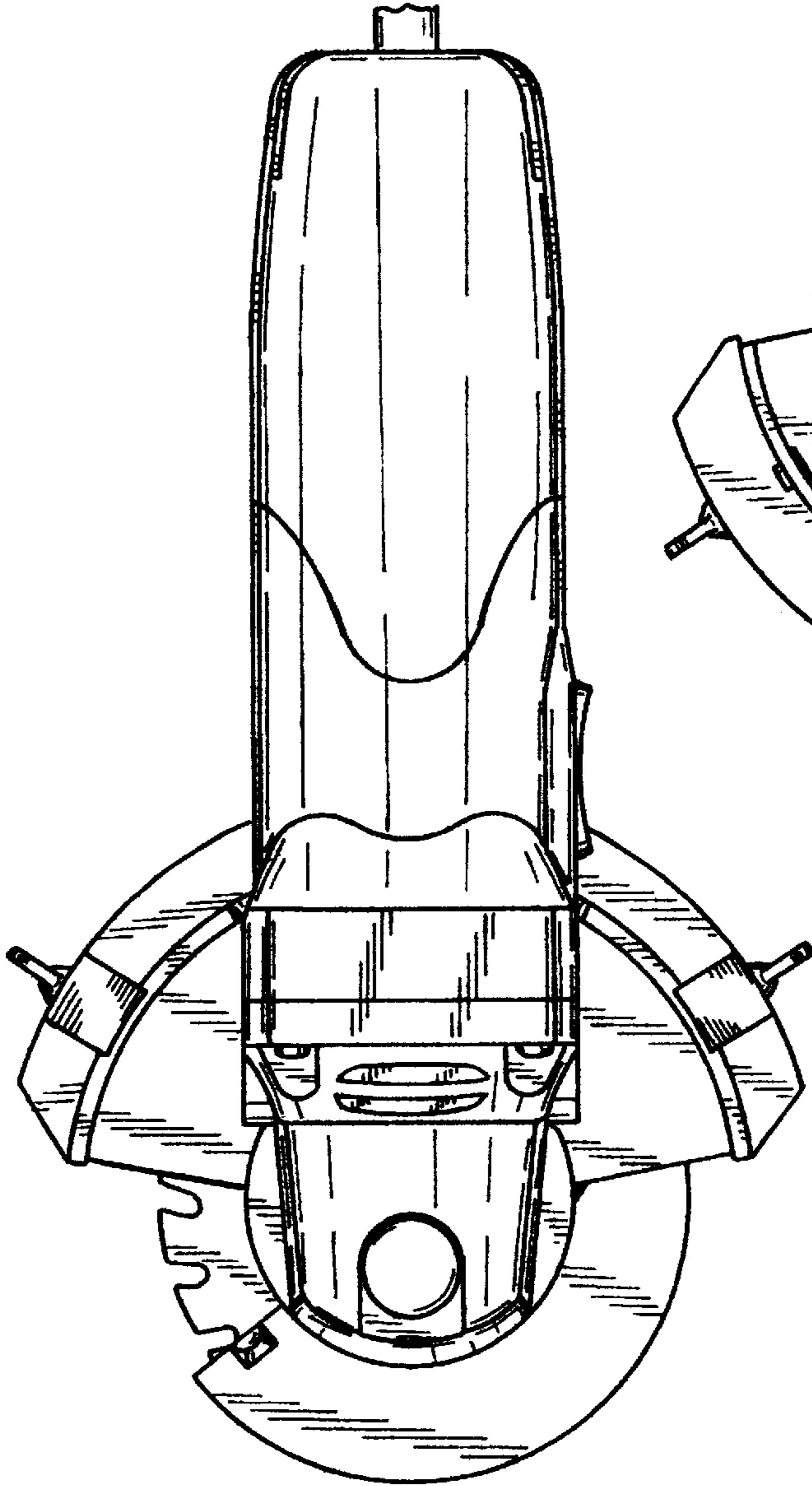


Fig. 7

