



US00D423897S

# United States Patent [19] Cooper

[11] Patent Number: **Des. 423,897**

[45] Date of Patent: **\*\* May 2, 2000**

[54] **SCREWDRIVER**

[75] Inventor: **Vincent Paul Cooper**, Baltimore, Md.

[73] Assignee: **Black & Decker Inc.**, Newark, Del.

[\*\*] Term: **14 Years**

[21] Appl. No.: **29/106,804**

[22] Filed: **Jun. 18, 1999**

[51] **LOC (7) Cl.** ..... **08-05**

[52] **U.S. Cl.** ..... **D8/61; D8/82**

[58] **Field of Search** ..... D8/61, 62, 70,  
D8/82, 83, 86, 107, DIG. 7; 200/1 V; 81/54,  
55, 57, 57.11, 57.14, 177.1, 177.85, 409,  
436, 900, 439, 901; 173/170, 13, 19, 178,  
171, 213, 217; 451/344, 354, 357-359,  
458; 310/40 R, 50

[56] **References Cited**

### U.S. PATENT DOCUMENTS

D. 297,104	8/1988	Svetlik .	
D. 303,205	9/1989	Gierke et al. ....	D8/61
D. 304,543	11/1989	Somers et al. ....	D8/61
D. 305,093	12/1989	Hoshino et al. .	
D. 353,309	12/1994	Somers .	
D. 380,658	7/1997	Bruno et al. .	
D. 391,820	3/1998	Bunyea .	
D. 418,729	1/2000	Snider .....	D8/61
3,935,909	2/1976	Mabuchi et al. ....	173/217

4,631,992	12/1986	Eckman .....	81/470
4,721,169	1/1988	Nagasawa et al. ....	173/178
4,772,765	9/1988	Markle et al. ....	200/1 V
5,525,889	6/1996	Chan et al. ....	173/217

### FOREIGN PATENT DOCUMENTS

023329	1/1992	France .	
8902657	12/1989	Germany .	
8901411	9/1990	Germany .	
9508345	4/1996	Germany .	
9508933	5/1996	Germany .	
624568	5/1984	Japan .	

*Primary Examiner*—Martie K. Holtje  
*Attorney, Agent, or Firm*—Bruce S. Shapiro; Dennis A. Dearing; John D. Del Ponti

### [57] CLAIM

The ornamental design for a screwdriver, as shown and described.

### DESCRIPTION

FIG. 1 is a perspective view of a screwdriver showing my new design.

FIG. 2 is a top plan view thereof.

FIG. 3 is a bottom plan view there.

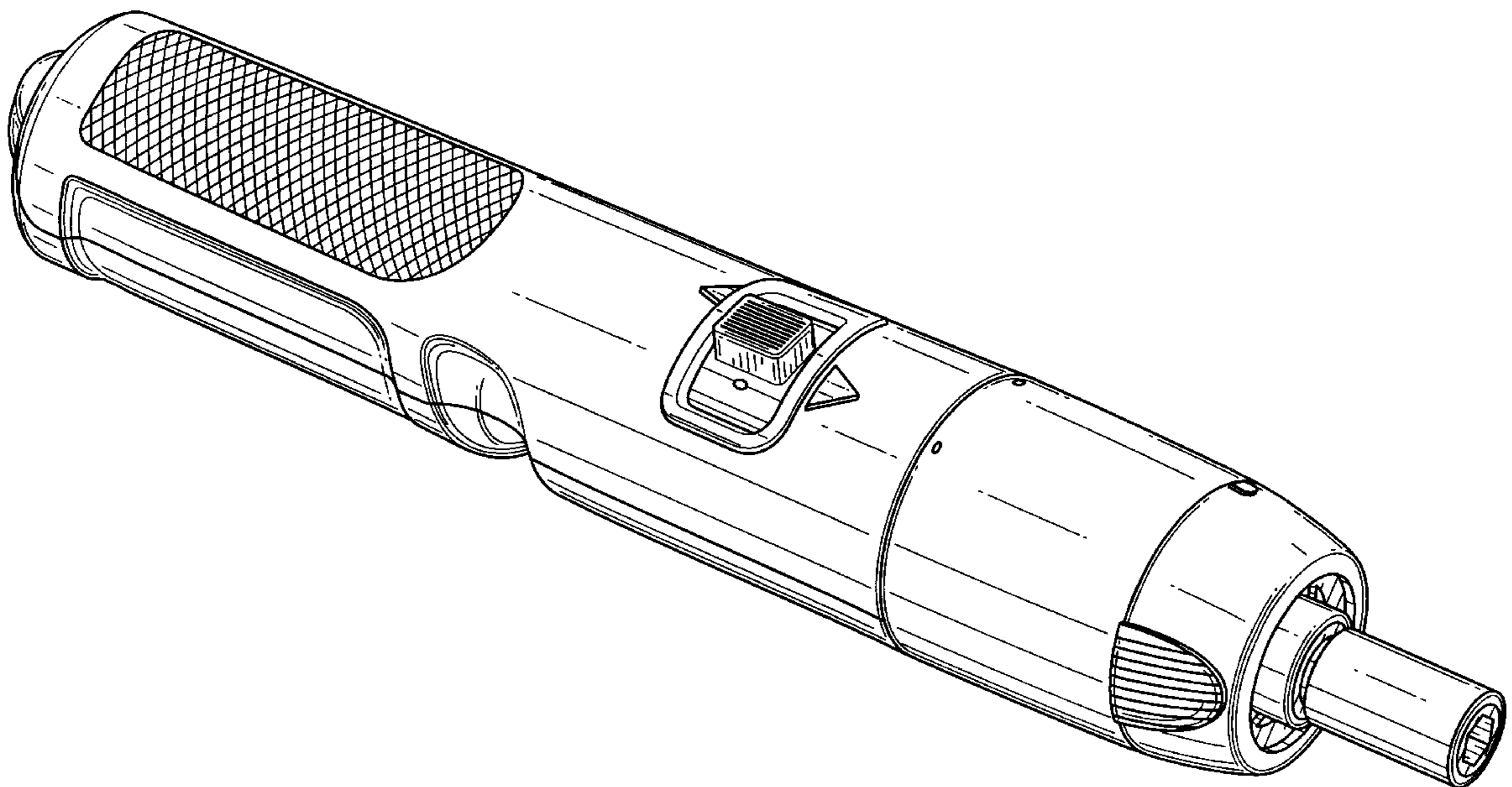
FIG. 4 is a left side elevational view thereof.

FIG. 5 is a right side elevational view thereof.

FIG. 6 is a front elevational view thereof; and,

FIG. 7 is a rear elevational view thereof.

**1 Claim, 6 Drawing Sheets**



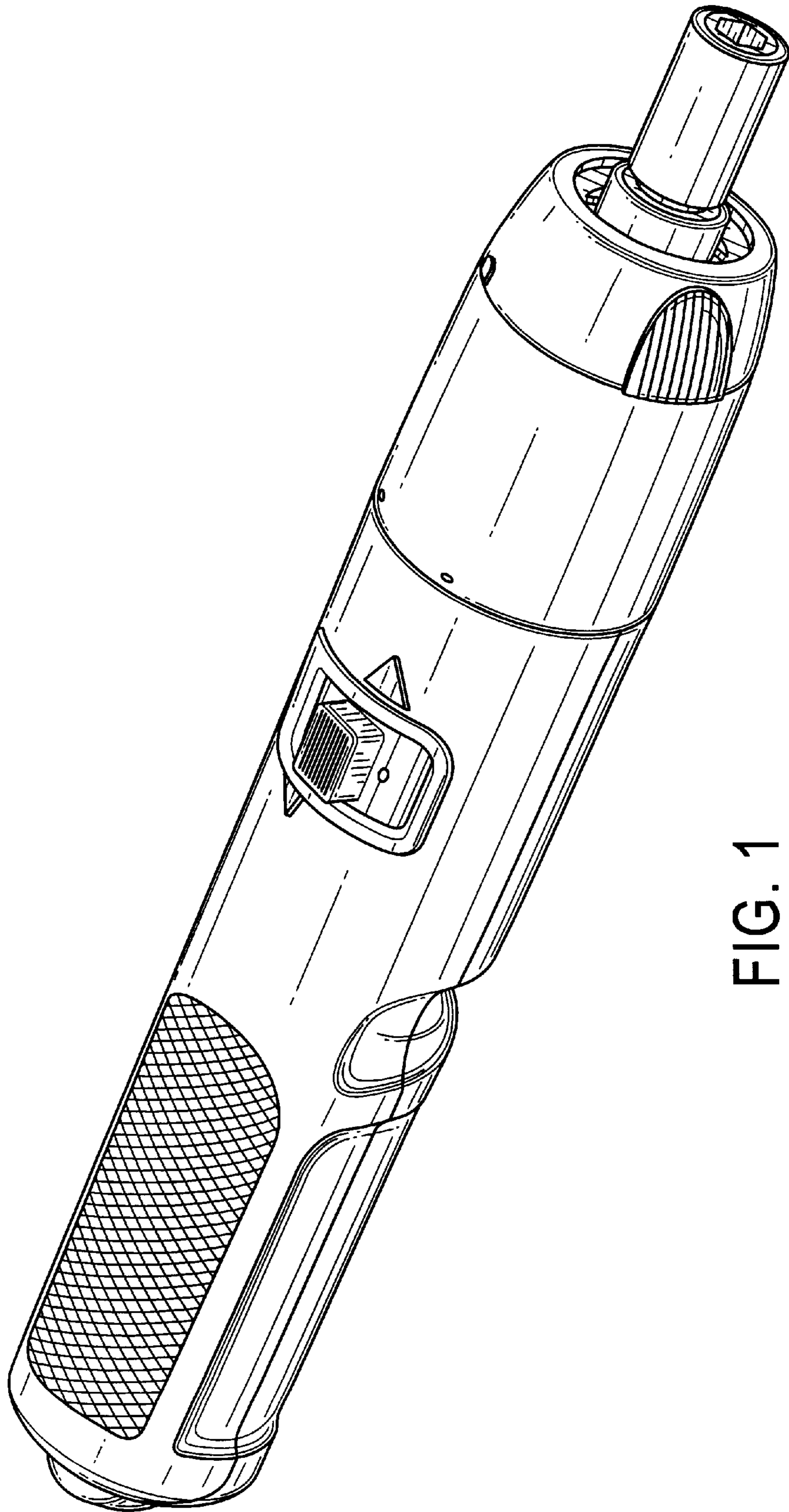


FIG. 1

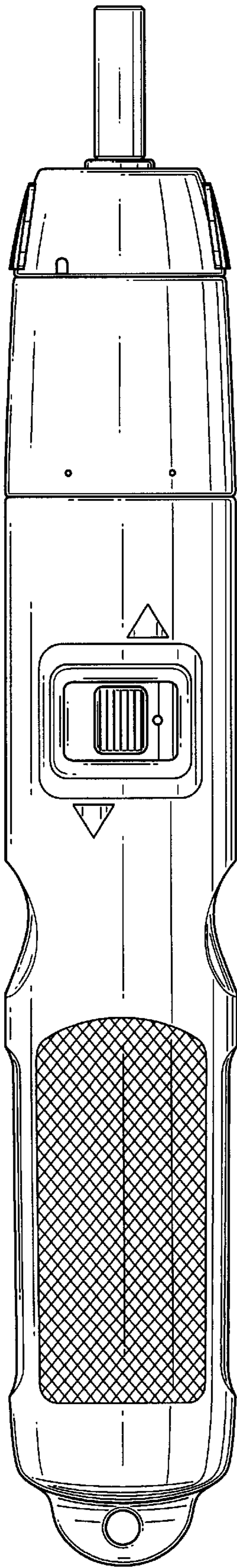


FIG. 2

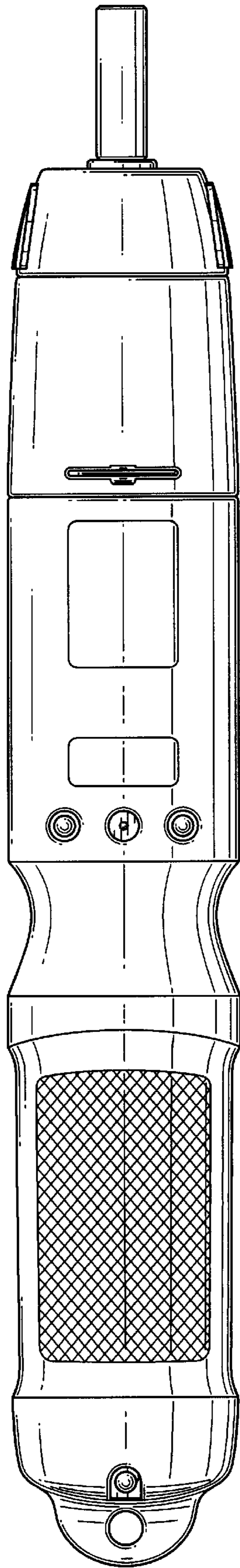


FIG. 3



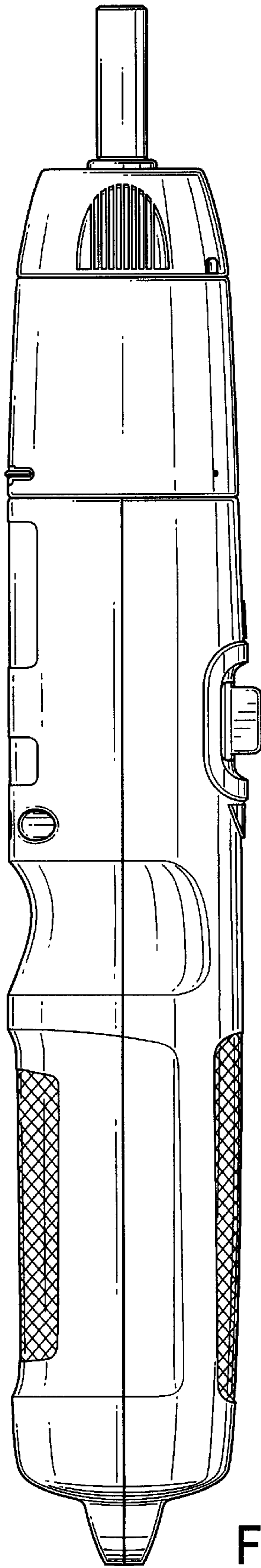


FIG. 4

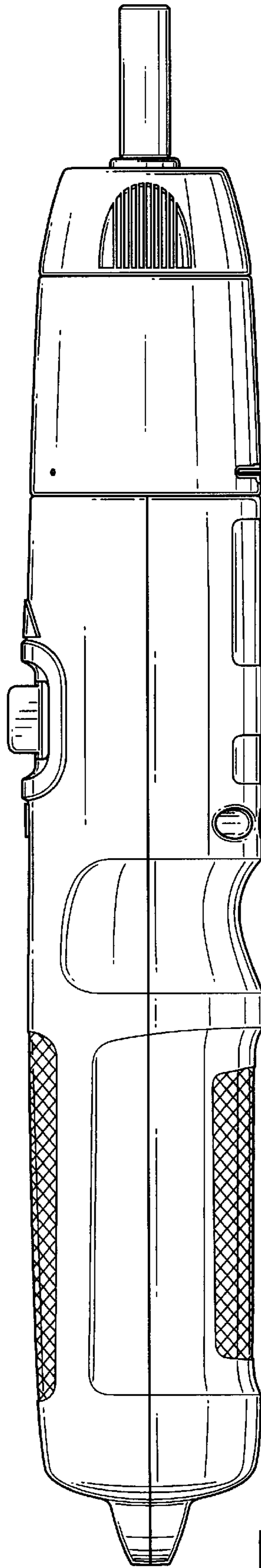


FIG. 5

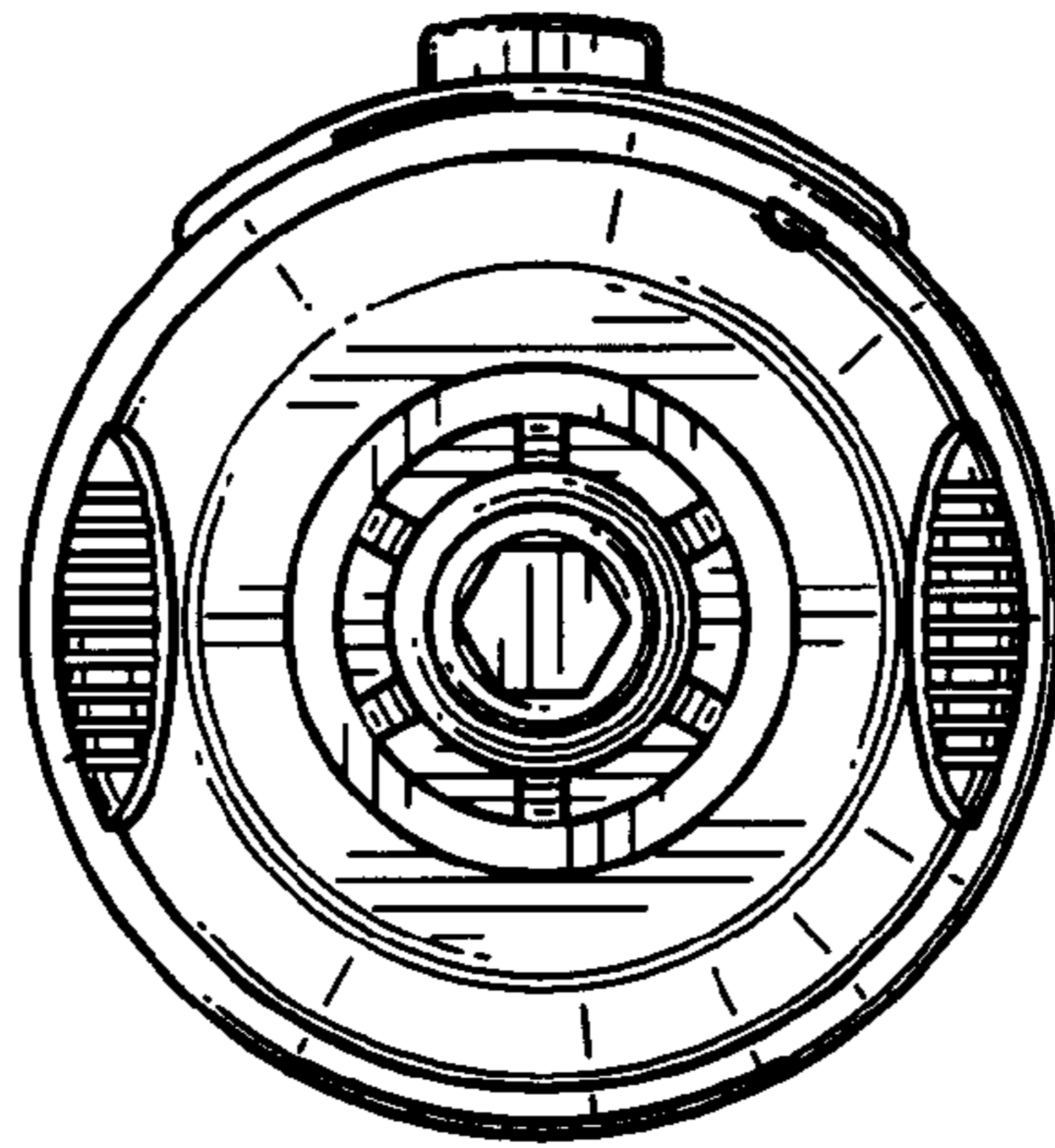


FIG. 6

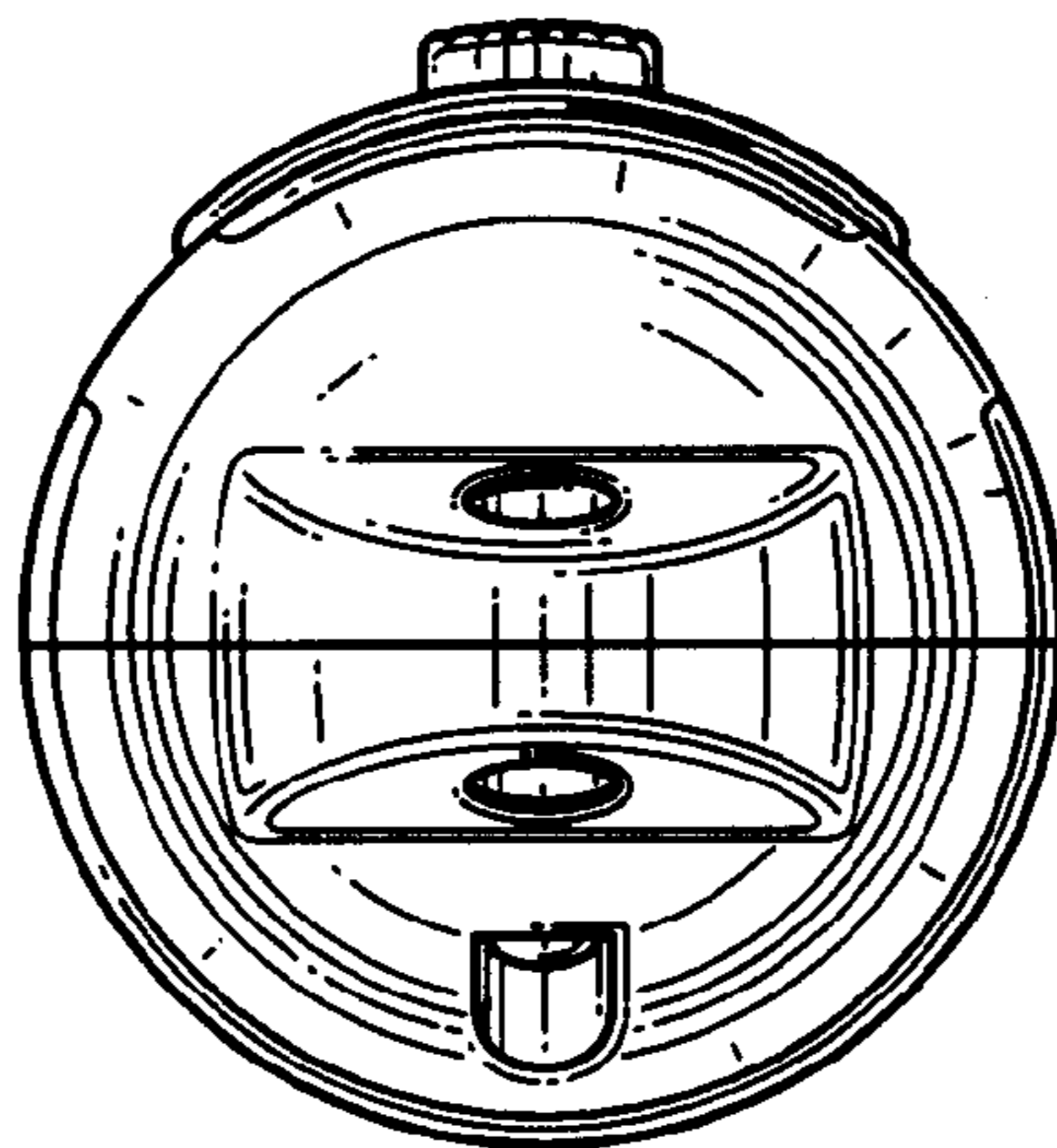


FIG. 7