



US00D423896S

United States Patent [19]

Steiner et al.

[11] Patent Number: **Des. 423,896**

[45] Date of Patent: **** May 2, 2000**

[54] **RIVET SETTING TOOL**

[75] Inventors: **Mark Steiner**, Cos Cob; **David J. Banducci**, Guilford; **James M. Bradbury**, Waterbury; **David S. Calkins**, Branford, all of Conn.

[73] Assignee: **Emhart Inc**, Newark, Del.

[**] Term: **14 Years**

[21] Appl. No.: **29/095,351**

[22] Filed: **Oct. 21, 1998**

[51] **LOC (7) Cl.** **08-05**

[52] **U.S. Cl.** **D8/61; D8/68**

[58] **Field of Search** **D8/61, 68; 29/243.525; 227/51, 81, 138**

[56] **References Cited**

U.S. PATENT DOCUMENTS

3,557,597	1/1971	Heslop	72/391
3,898,833	8/1975	Richardson	29/243.525
4,259,858	4/1981	Freeman et al.	29/243.523
5,323,946	6/1994	O'Connor et al.	227/2
5,357,666	10/1994	Dessouky et al.	29/243.521

5,490,312	2/1996	Smith	29/243.525
5,598,619	2/1997	Rosier	29/243.523
5,742,989	4/1998	Subotsch	29/243.525

Primary Examiner—Nelson C. Holtje
Attorney, Agent, or Firm—Edward D. Murphy

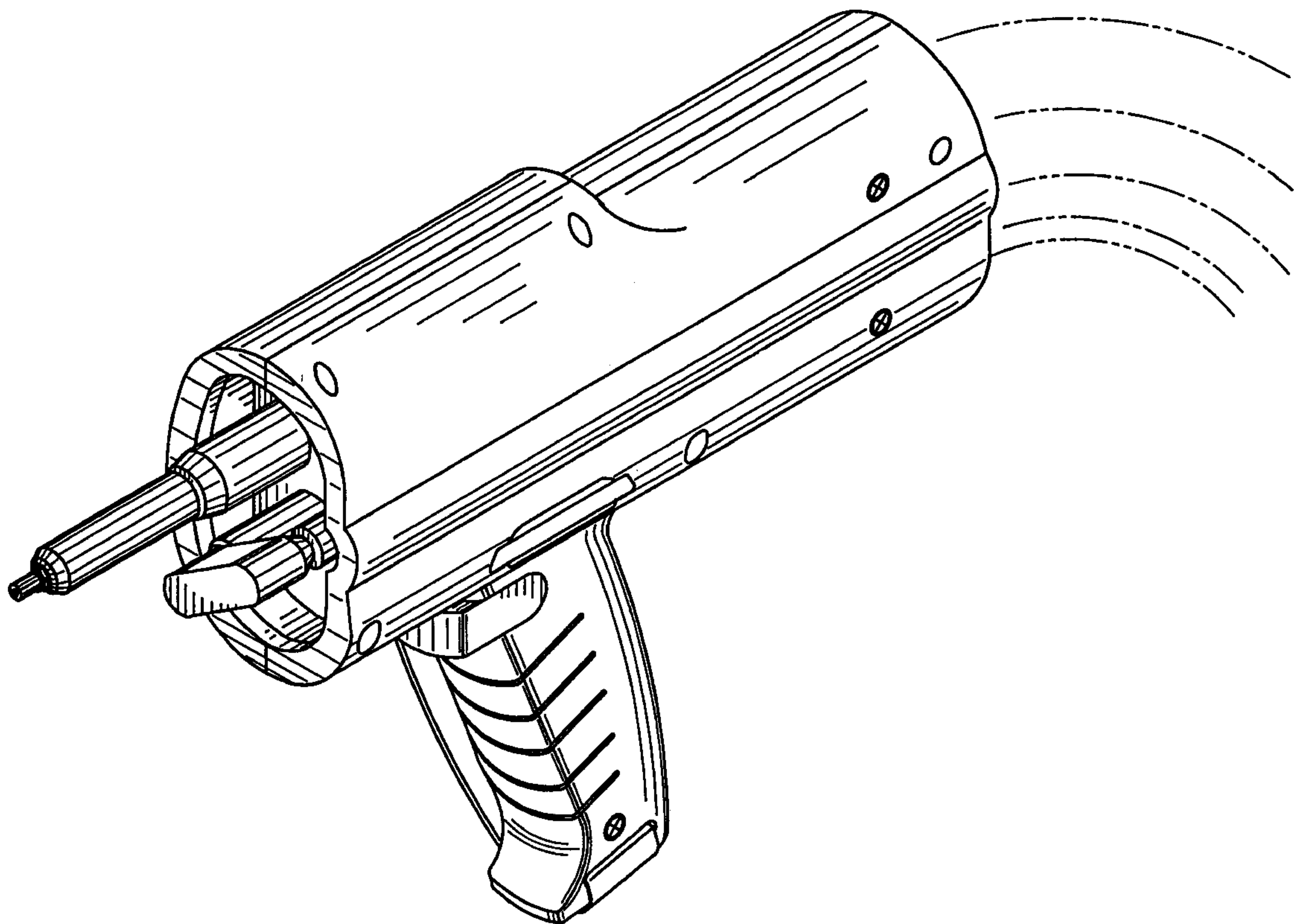
[57] **CLAIM**

The ornamental design for a rivet setting tool, as shown and described.

DESCRIPTION

FIG. 1 is a perspective view of our new design of a rivet setting tool;
FIG. 2 is a top view of our new design of a rivet setting tool;
FIG. 3 is a bottom view of our new design of a rivet setting tool;
FIG. 4 is a front view of our new design of a rivet setting tool;
FIG. 5 is a rear view of our new design of a rivet setting tool;
FIG. 6 is a right side view of our new design of a rivet setting tool; and,
FIG. 7 is a left side view of our new design of a rivet setting tool.

1 Claim, 5 Drawing Sheets



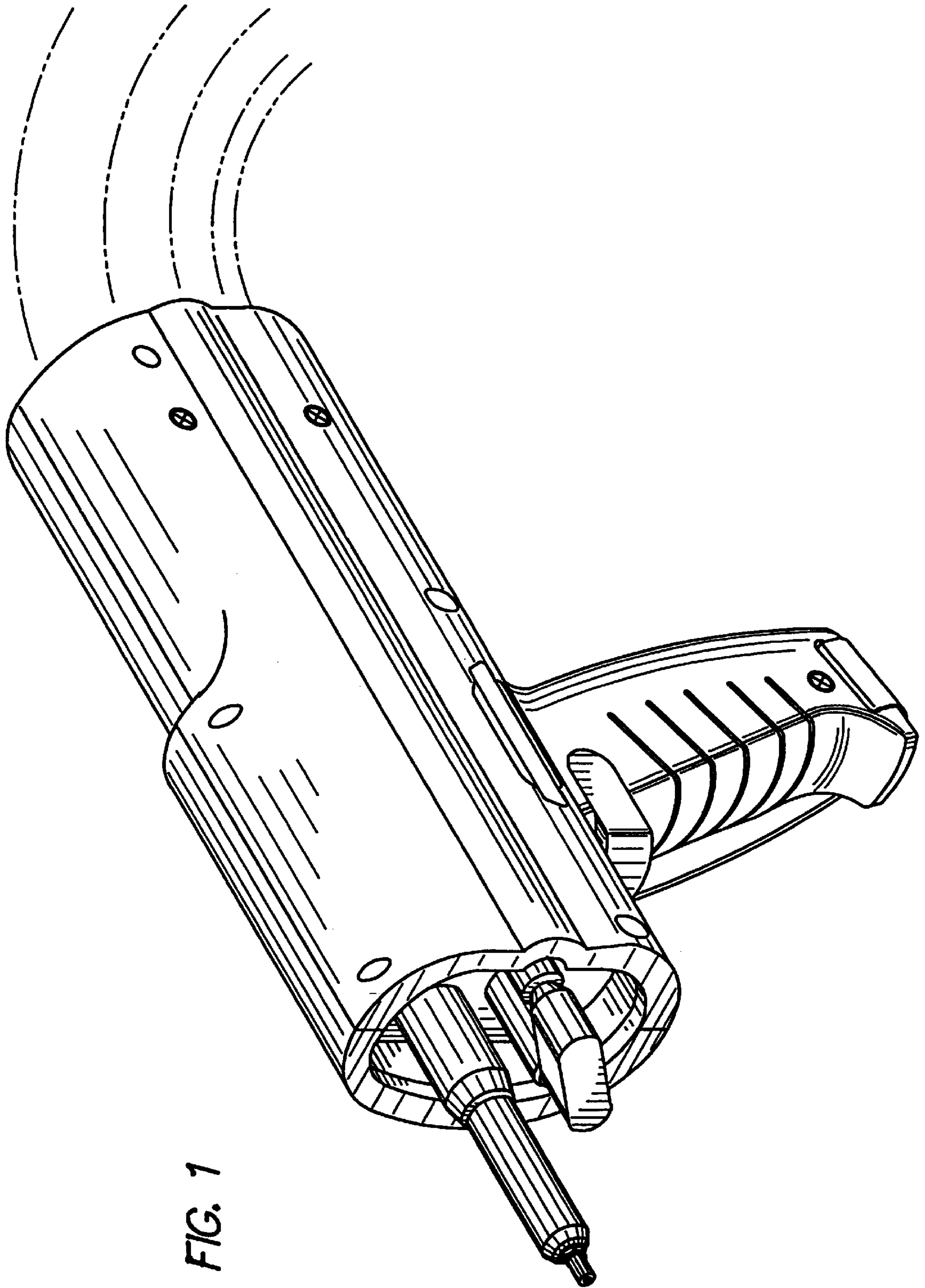


FIG. 1

FIG. 2

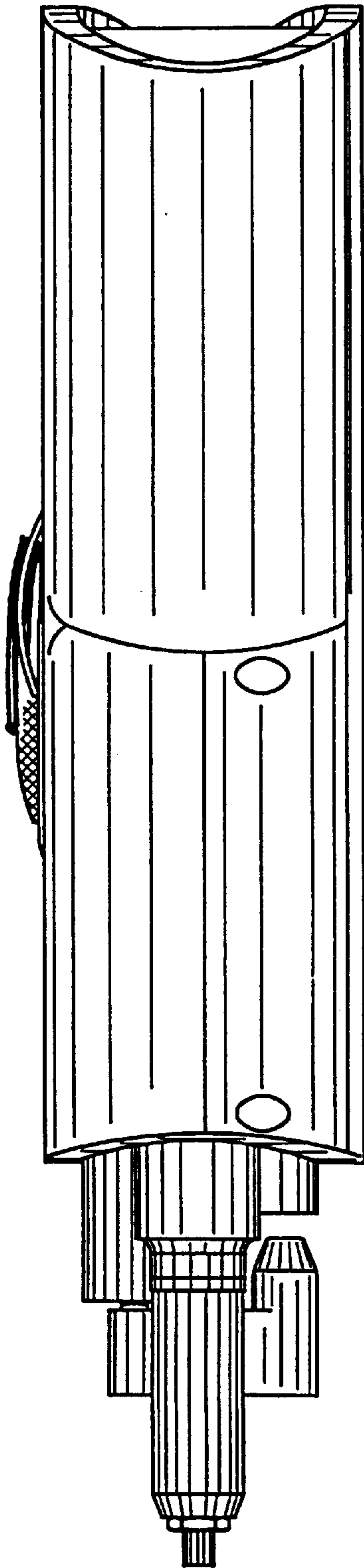


FIG. 3

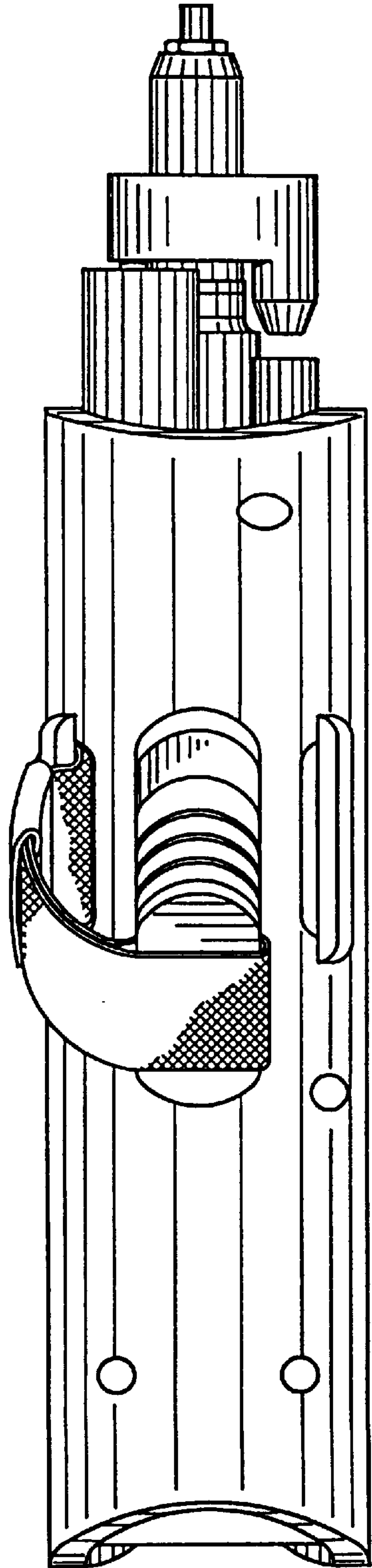


FIG. 5

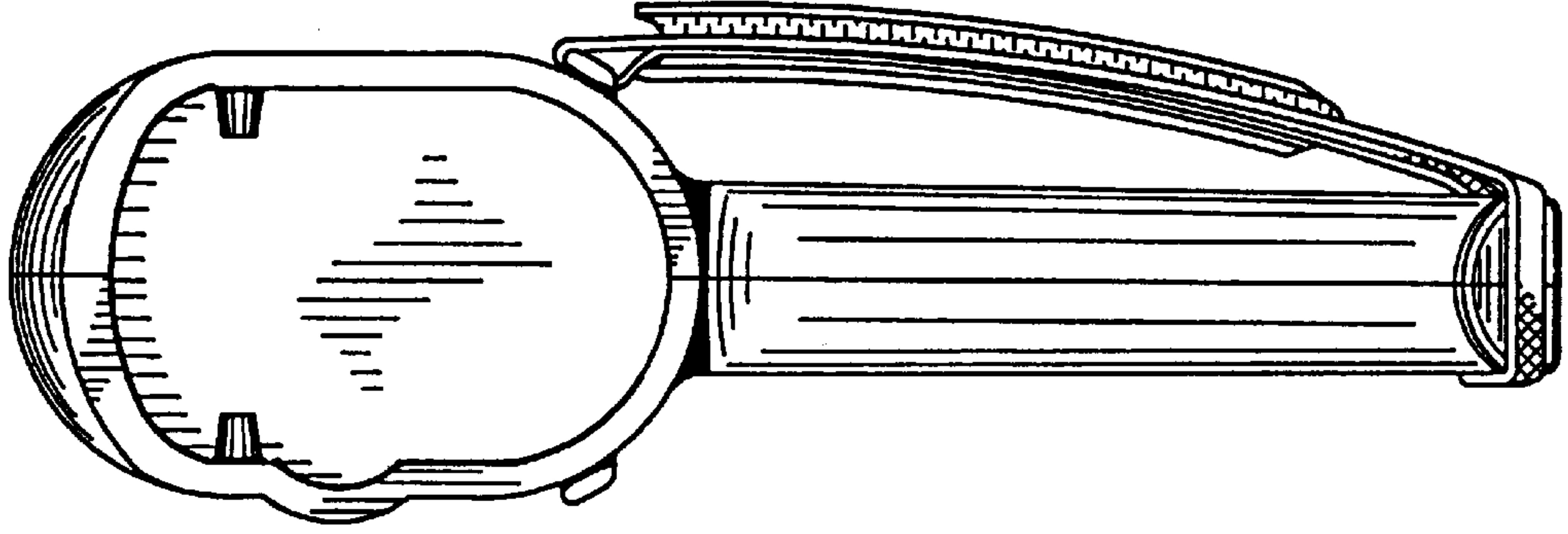
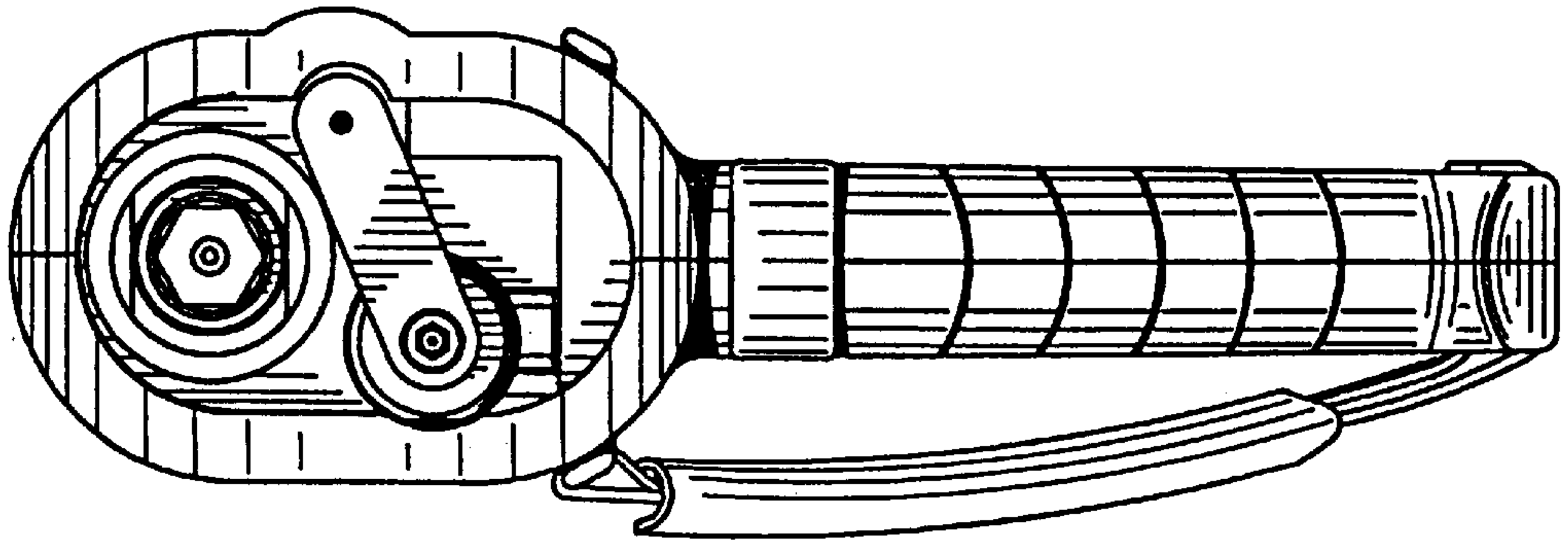


FIG. 4



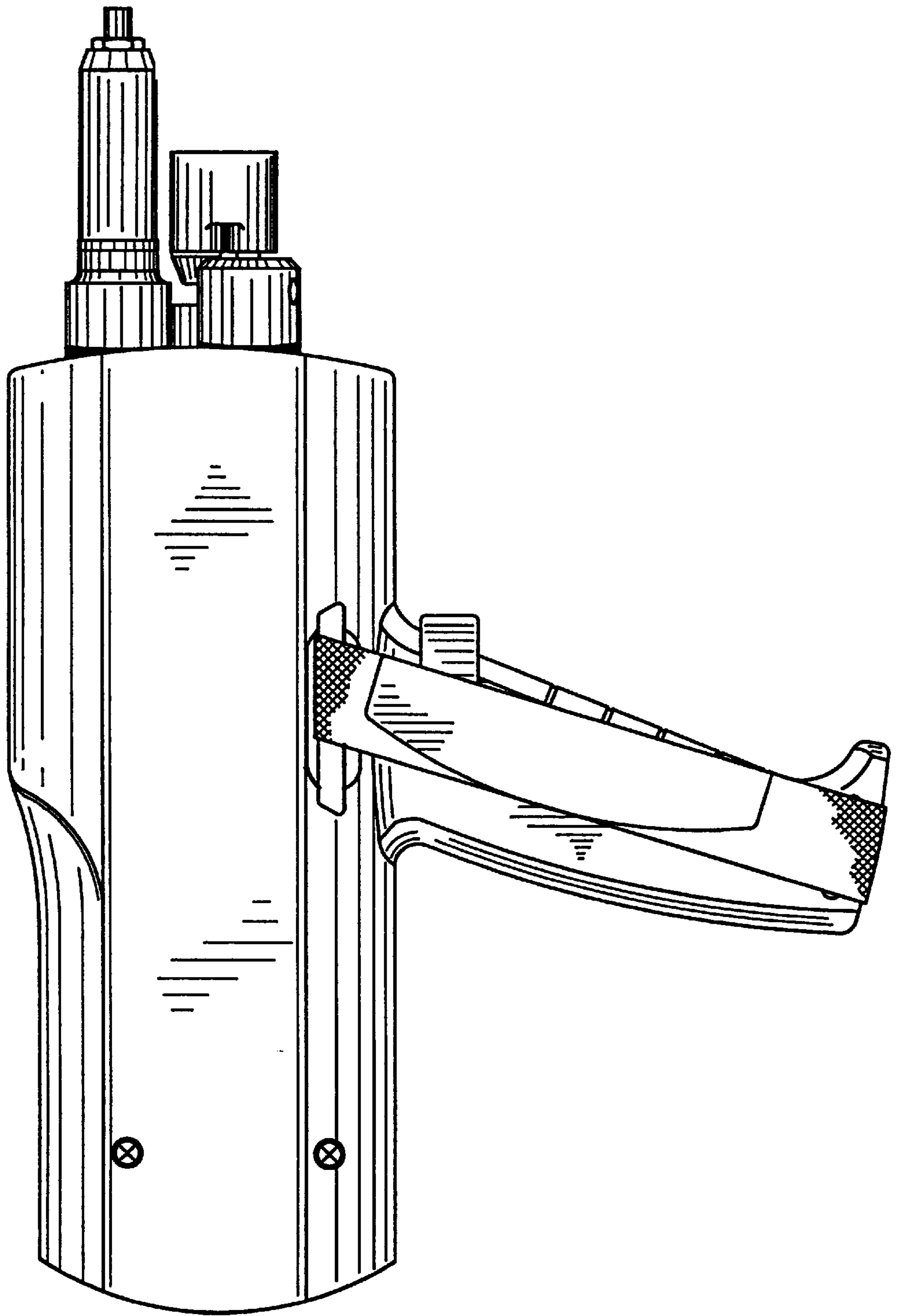


FIG. 6

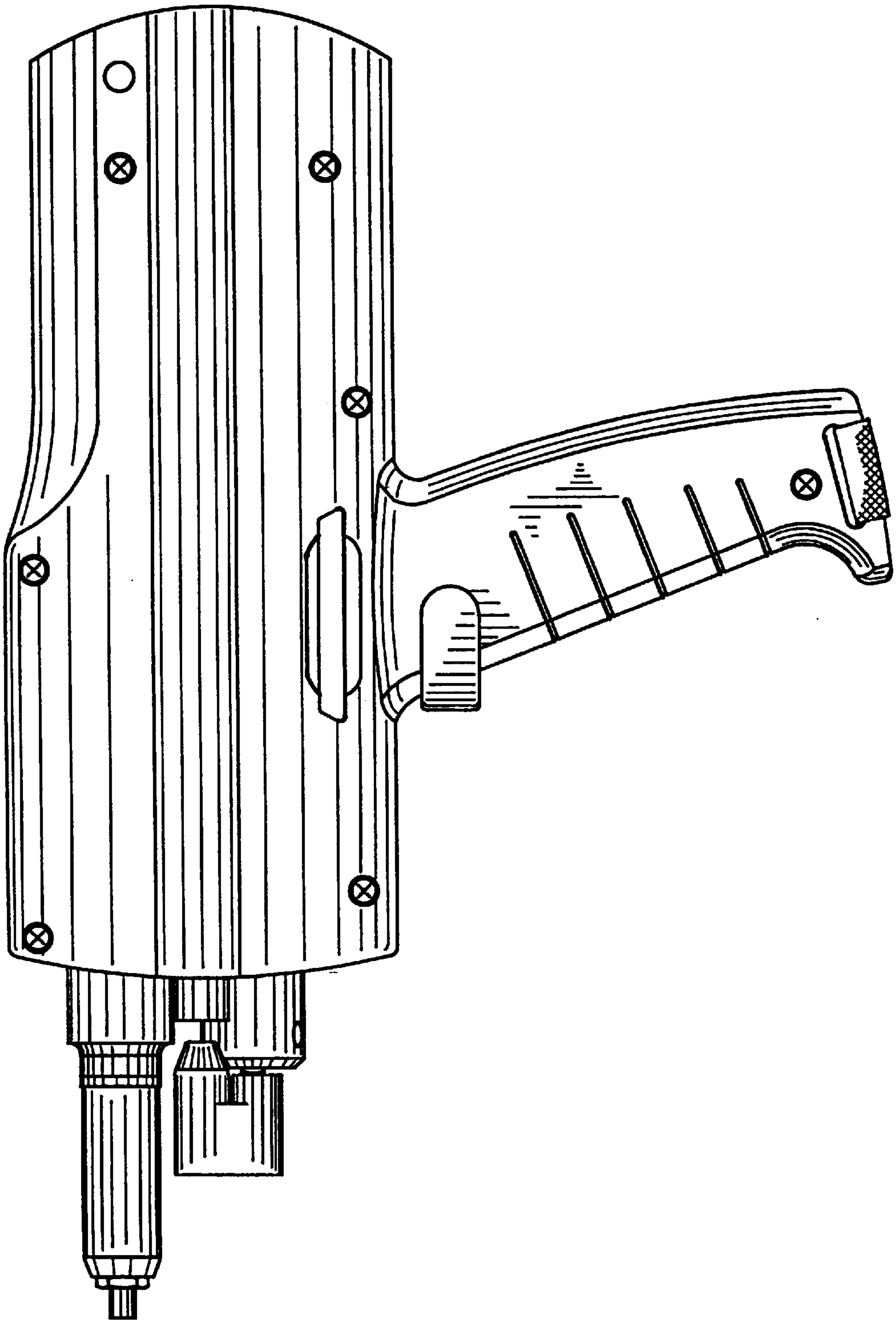


FIG. 7