



US00D423889S

# United States Patent [19] Heffner

[11] Patent Number: Des. 423,889

[45] Date of Patent: \*\* May 2, 2000

[54] GRASS PLUNGER

5,492,181 2/1996 Grant .

[76] Inventor: James Heffner, 1195 David Dr., Holly Hill, Fla. 32117

### OTHER PUBLICATIONS

Langenbach catalog; Long Handled Planter; p. 24, 1992.

[\*\*] Term: 14 Years

Primary Examiner—Robin V. Taylor  
Attorney, Agent, or Firm—Allen, Dyer, Doppelt, Milbrath & Gilchrist, P.A

[21] Appl. No.: 29/103,905

[22] Filed: Apr. 23, 1999

### [57] CLAIM

[51] LOC (7) Cl. .... 08-01

The ornamental design for a grass plugger, as shown and described.

[52] U.S. Cl. .... D8/1

[58] Field of Search ..... D8/1, 2, 7-13;  
294/49, 50.8, 50.5, 52, 50.7, 57; 52/158;  
254/132; 172/21, 22

### DESCRIPTION

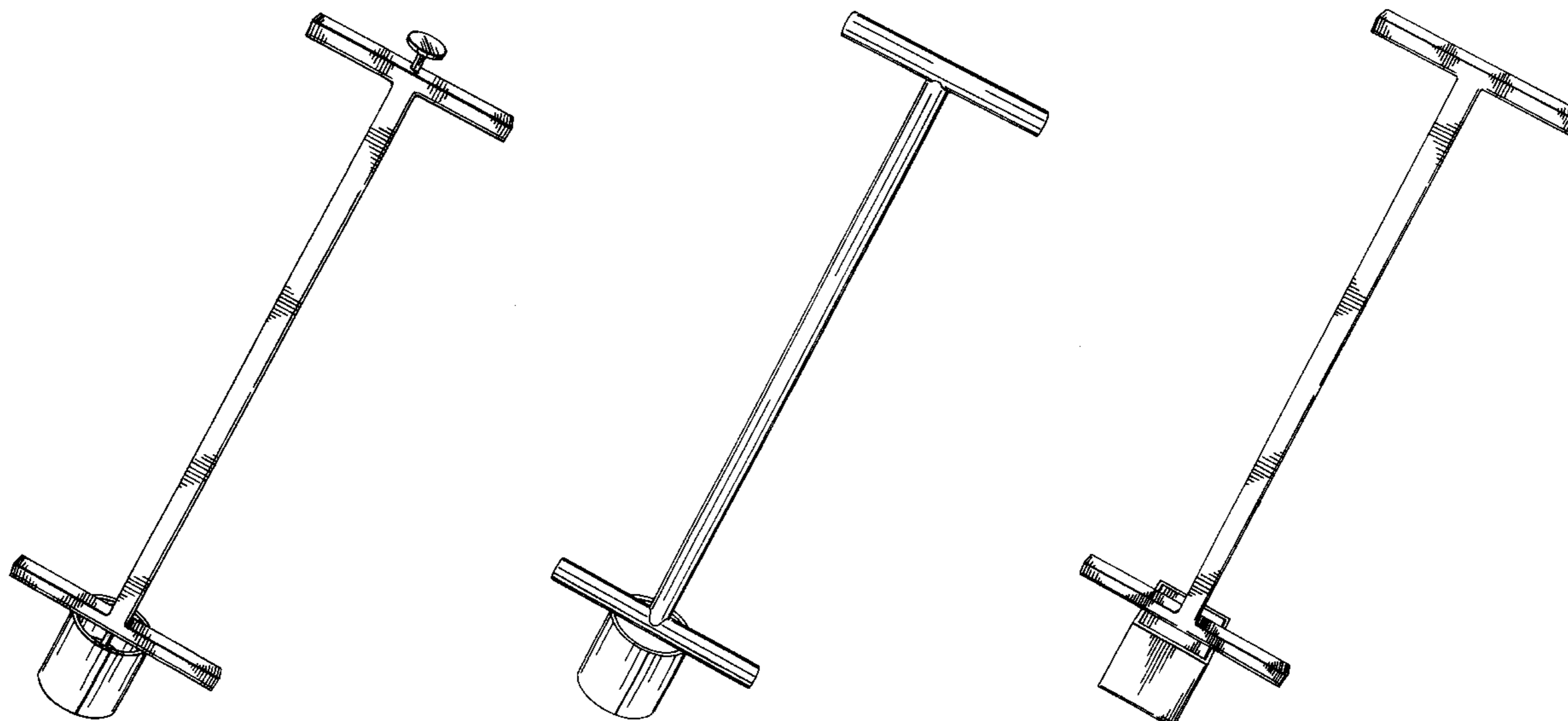
### [56] References Cited

#### U.S. PATENT DOCUMENTS

D. 251,698	5/1979	Bartholomew	.....	D8/7
D. 258,112	2/1981	Klapp	.....	D8/7
D. 302,512	8/1989	Slayton	.....	D8/7
D. 322,918	1/1992	Parks et al.	.....	D8/13
1,692,436	11/1928	Deane	.	
2,618,500	11/1952	Peach	.	
3,089,721	5/1963	Puckett	.....	294/50.7
3,416,831	12/1968	Bishop et al.	.....	294/50.5
3,444,938	5/1969	Ballmann	.	
3,838,739	10/1974	Pollard	.	
3,865,055	2/1975	Gilbaugh	.	
3,951,212	4/1976	Hallman	.	
4,585,072	4/1986	Martinez	.	
4,790,392	12/1988	Clements	.	
4,819,735	4/1989	Puckett	.	
4,884,638	12/1989	Hoffman	.	
4,932,339	6/1990	List	.	
4,966,238	10/1990	Shields	.	
4,974,682	12/1990	Hoffman	.	
5,088,562	2/1992	Shields	.	
5,234,241	8/1993	Ikerd	.....	294/50.8
5,242,024	9/1993	Van Houten	.	
5,337,831	8/1994	Chopp	.	
5,343,771	9/1994	Turriff et al.	.	
5,398,624	3/1995	Caron	.	
5,469,923	11/1995	Visser	.	

FIG. 1 is a perspective view;  
 FIG. 2 is an elevation view;  
 FIG. 3 is a side elevation view;  
 FIG. 4 is a top plan view; and  
 FIG. 5 is a bottom plan view;  
 FIGS. 6 through 10 show an alternate embodiment of the design;  
 FIG. 6 is a perspective view;  
 FIG. 7 is an elevation view;  
 FIG. 8 is a side elevation view;  
 FIG. 9 is a top plan view; and  
 FIG. 10 is a bottom plan view;  
 FIG. 11 through 15 show a further alternate embodiment of the design;  
 FIGS. 11 is a perspective view;  
 FIG. 12 is an elevation view;  
 FIG. 13 is a side elevation view;  
 FIG. 14 is a top plan view; and  
 FIG. 15 is a bottom plan view;  
 FIGS. 16 through 20 show an additional alternate embodiment of the design;  
 FIG. 16 is a perspective view;  
 FIG. 17 is an elevation view;  
 FIG. 18 is a side elevation view;  
 FIG. 19 is a top plan view; and,  
 FIG. 20 is a bottom plan view.

1 Claim, 8 Drawing Sheets



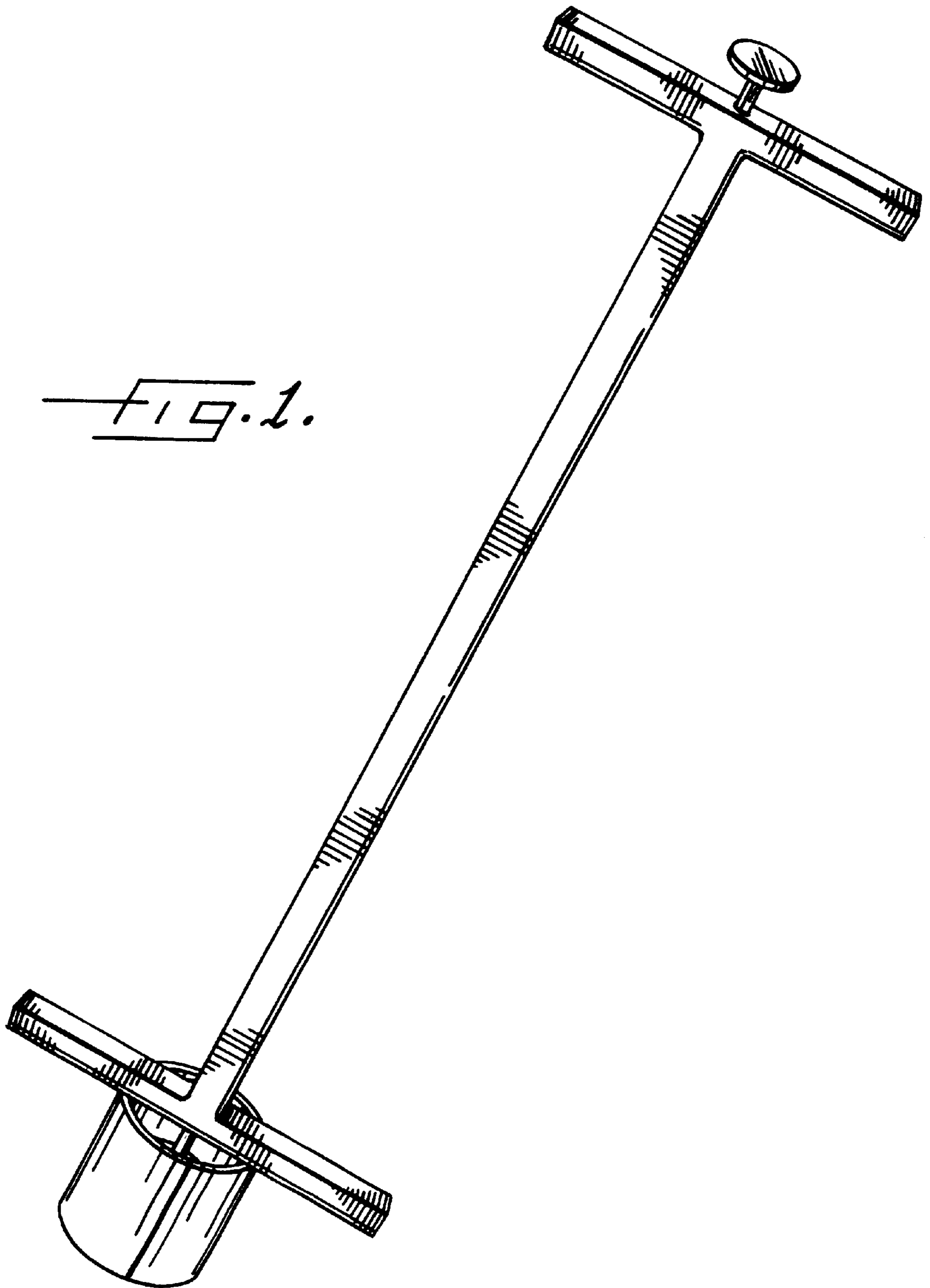


FIG. 1.

FIG. 4.

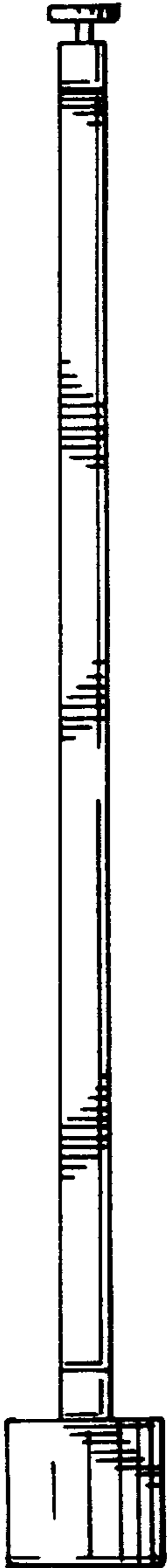
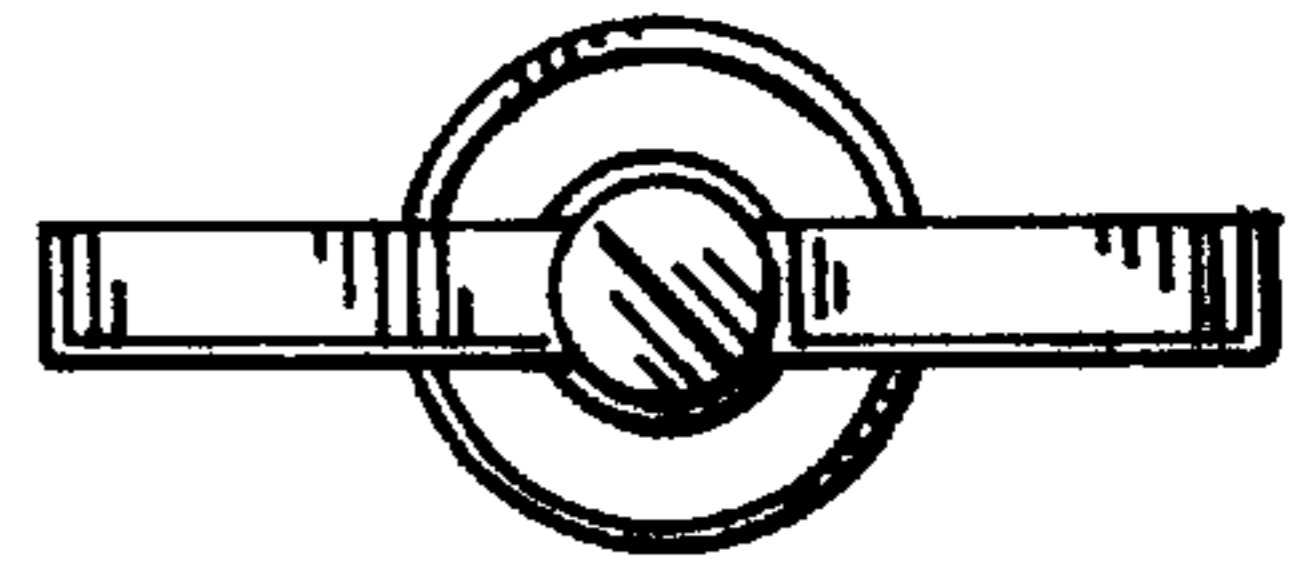


FIG. 2.

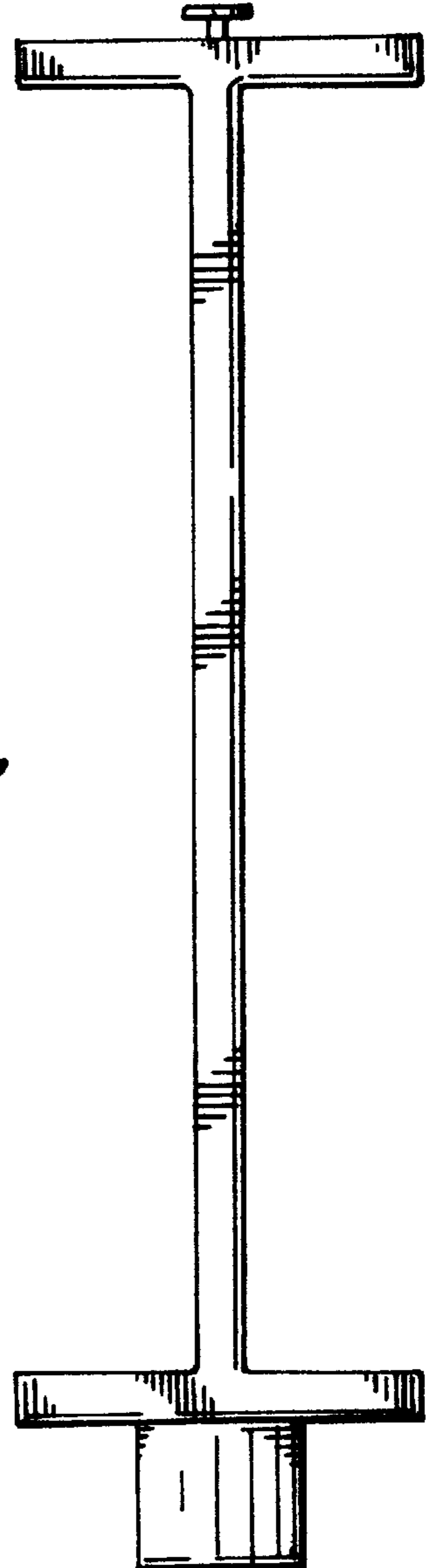
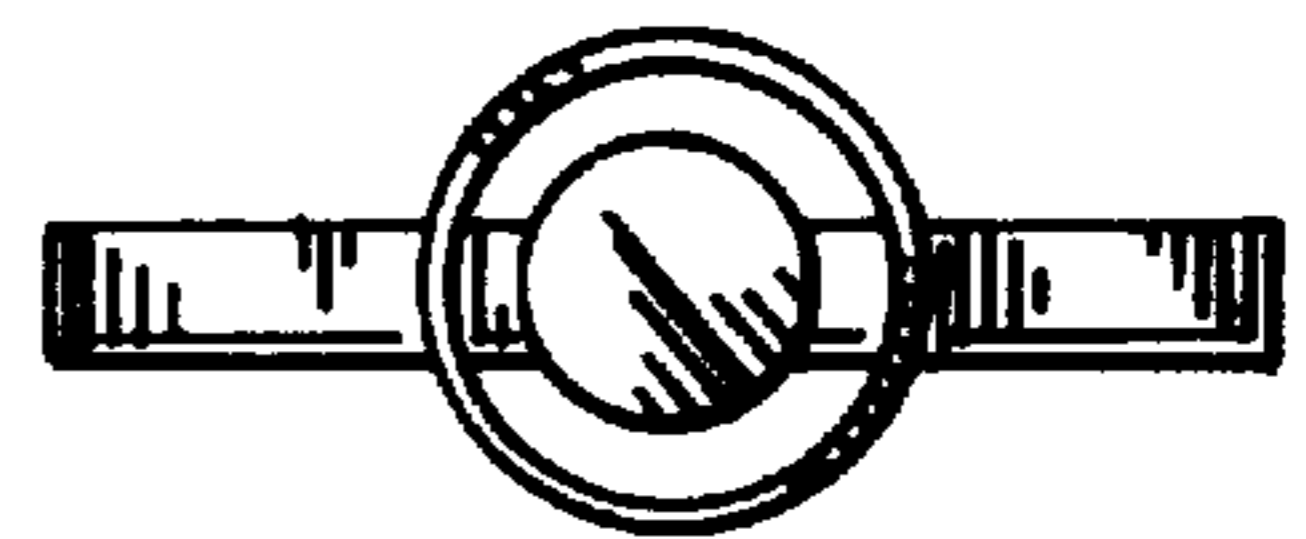


FIG. 3.

FIG. 5.



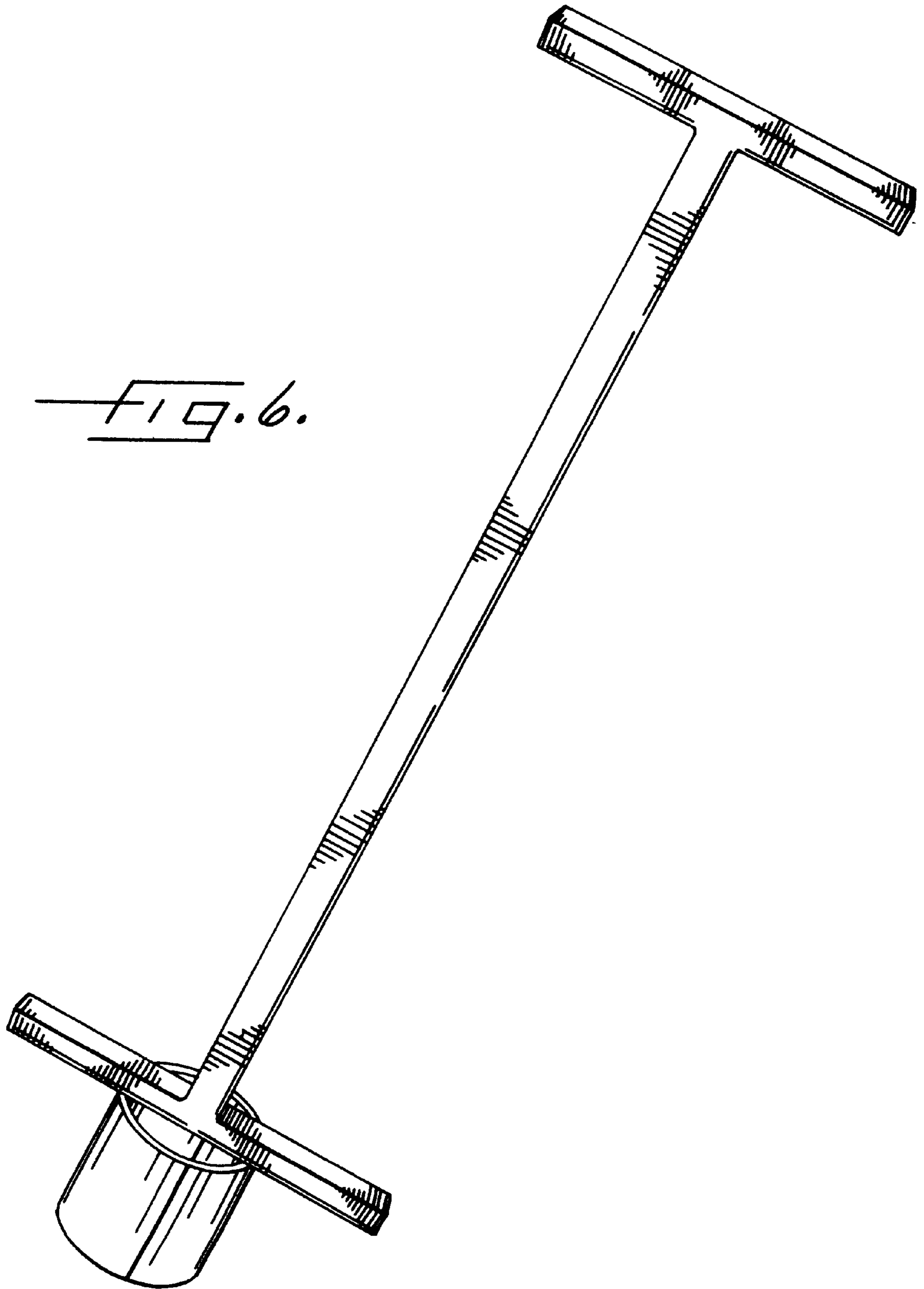


FIG. 6.

FIG. 9.

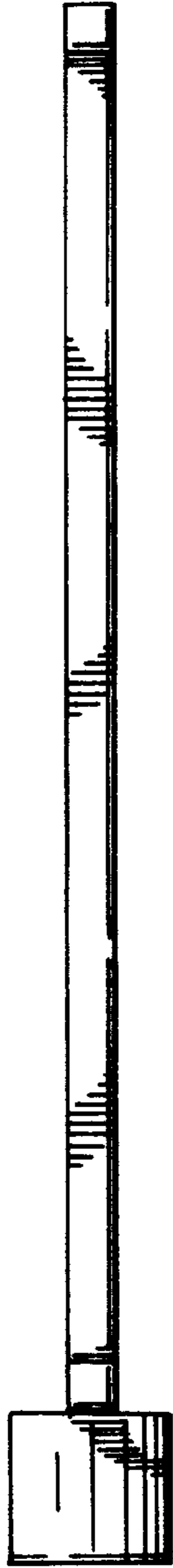
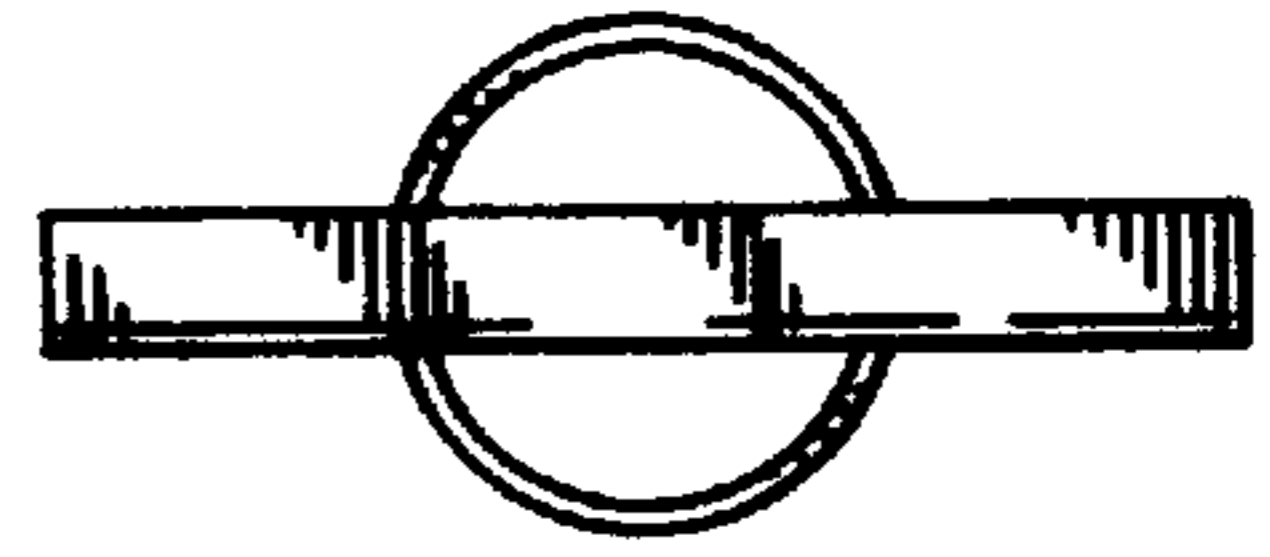


FIG. 8.

FIG. 7.

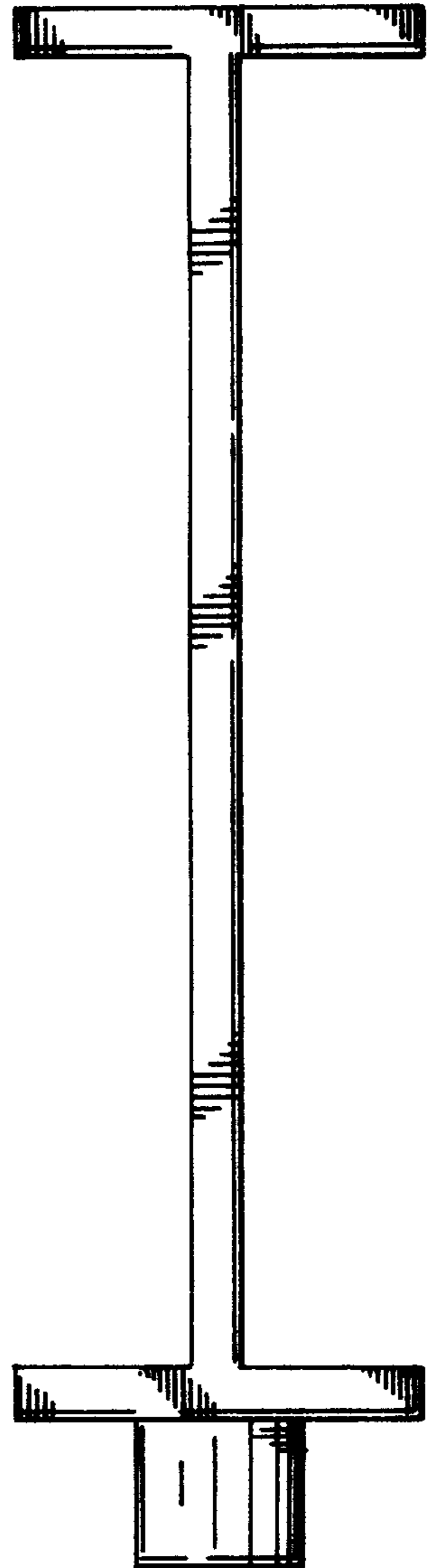


FIG. 10.





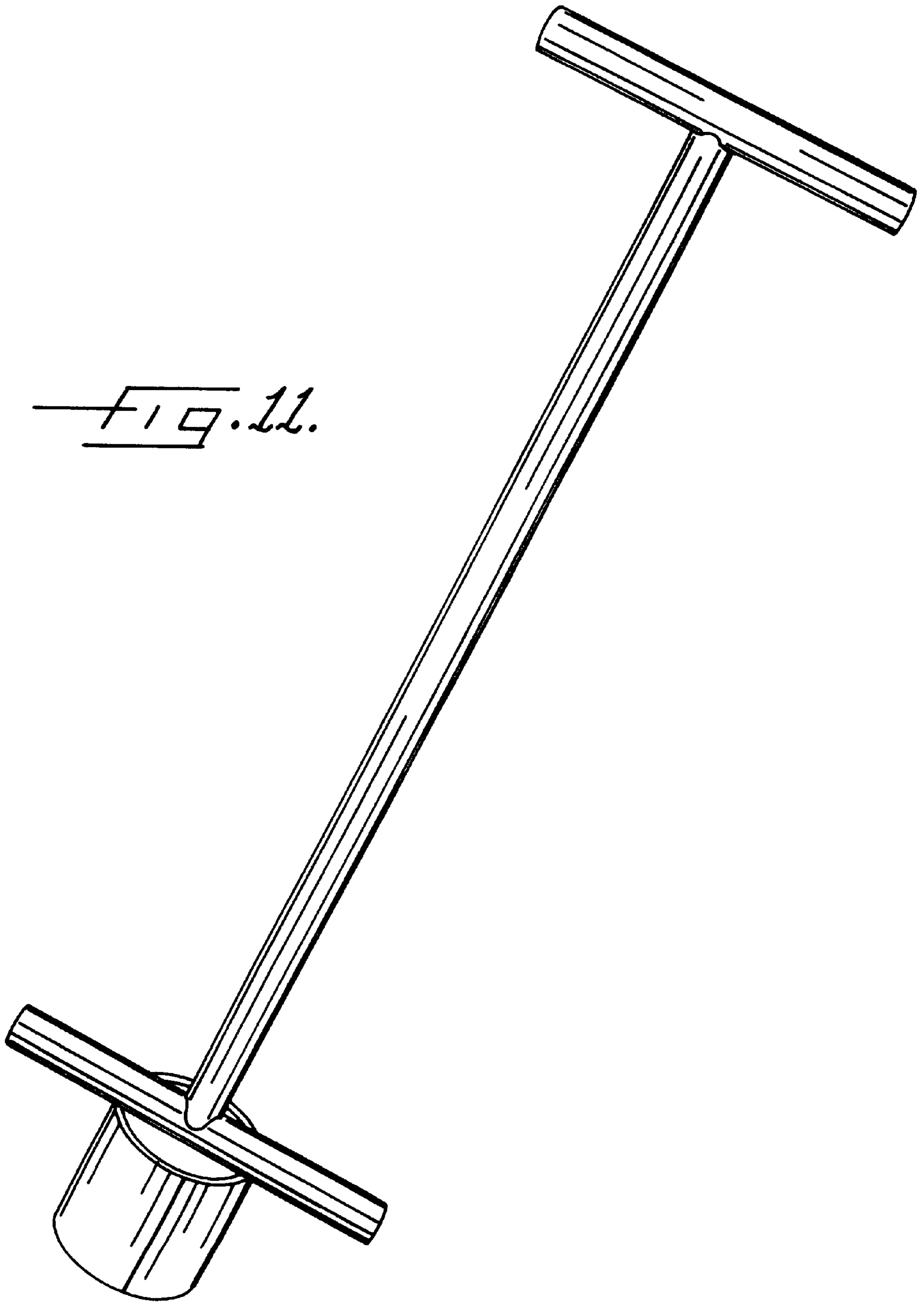


FIG. 11.

FIG. 14

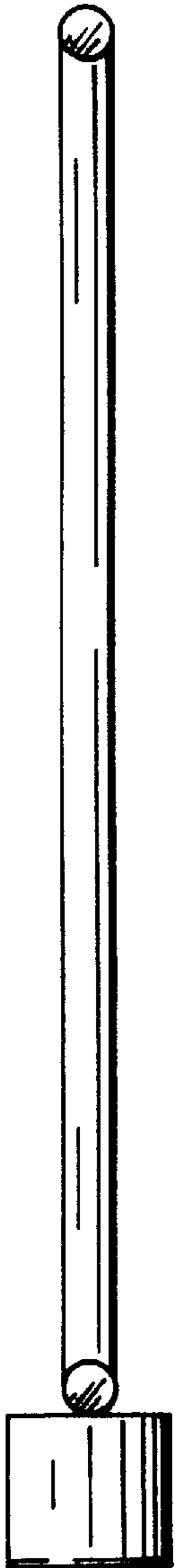
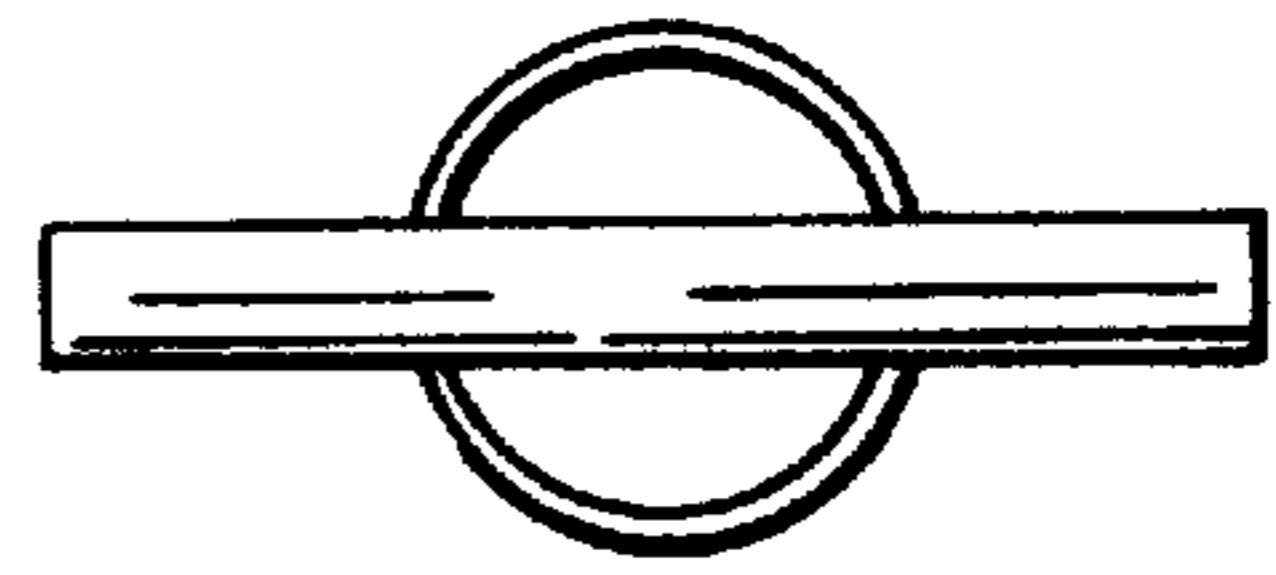


FIG. 12

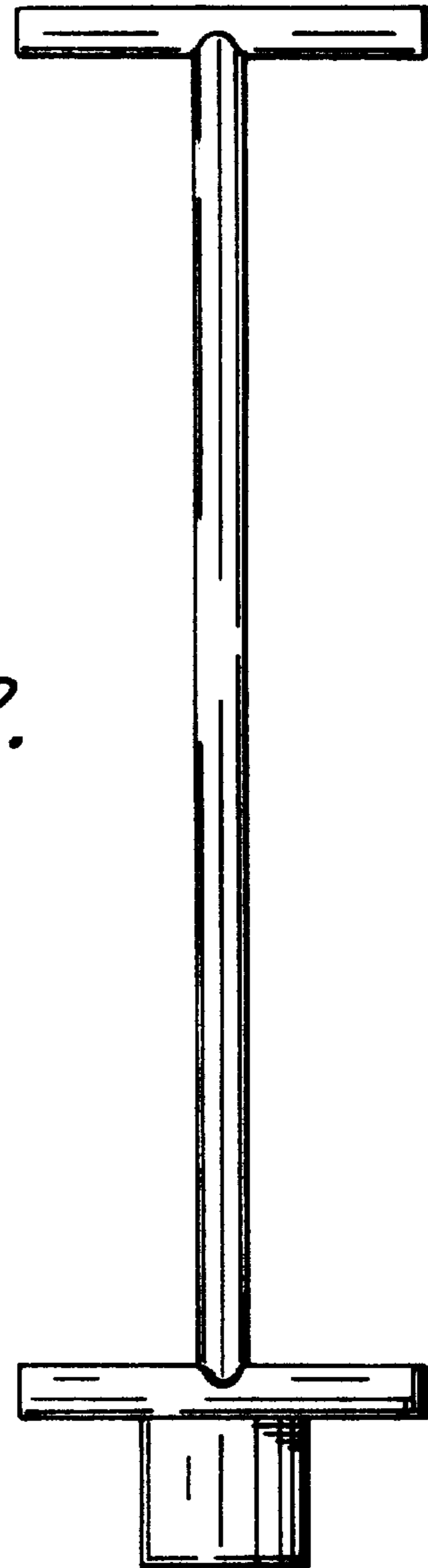
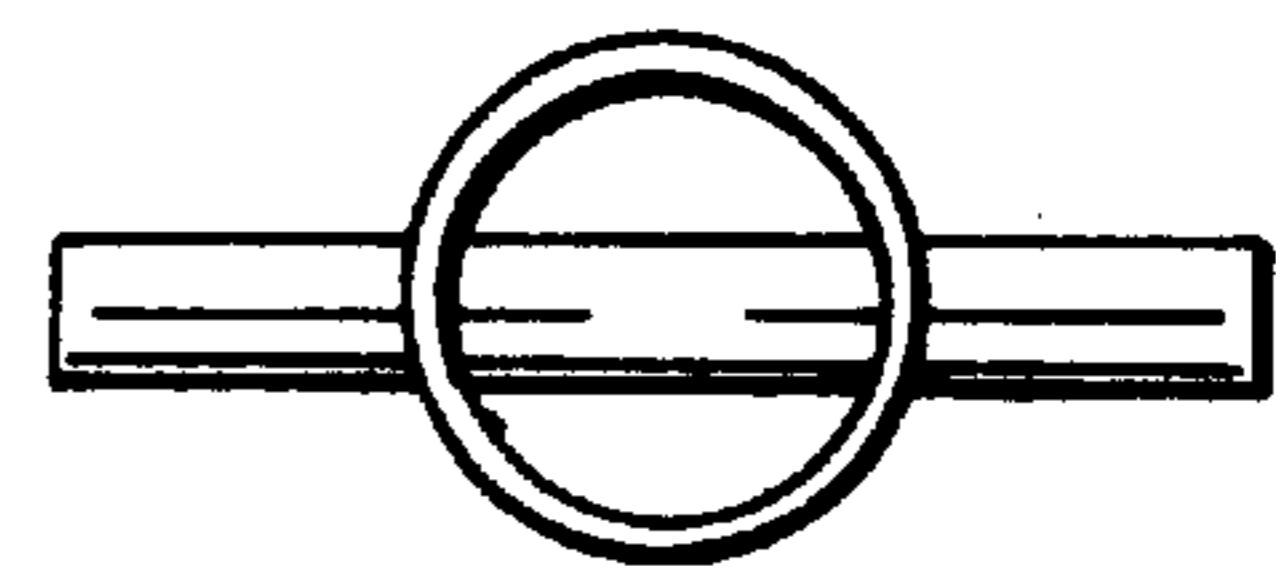


FIG. 13

FIG. 15



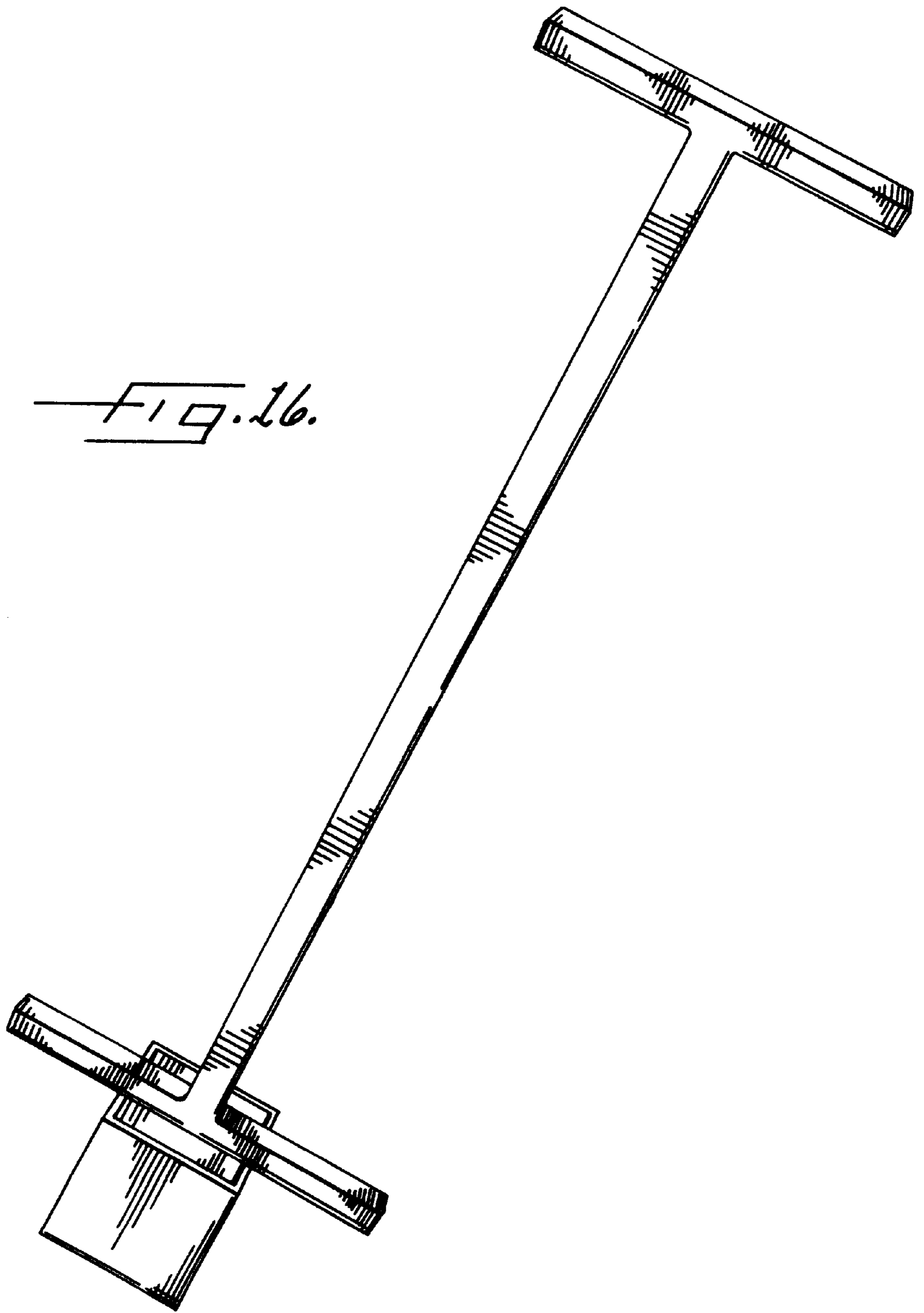


FIG. 16.



FIG. 19.

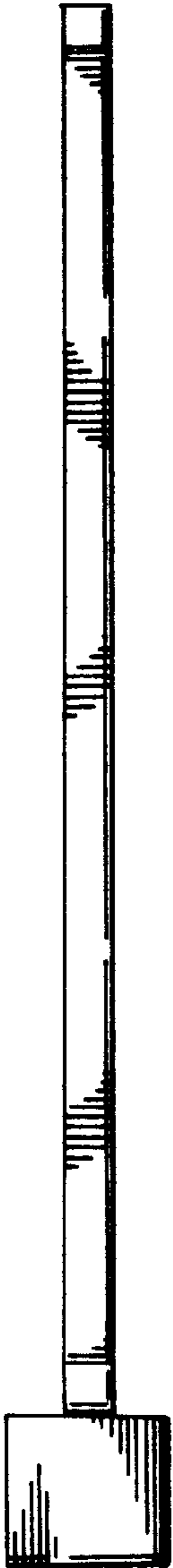
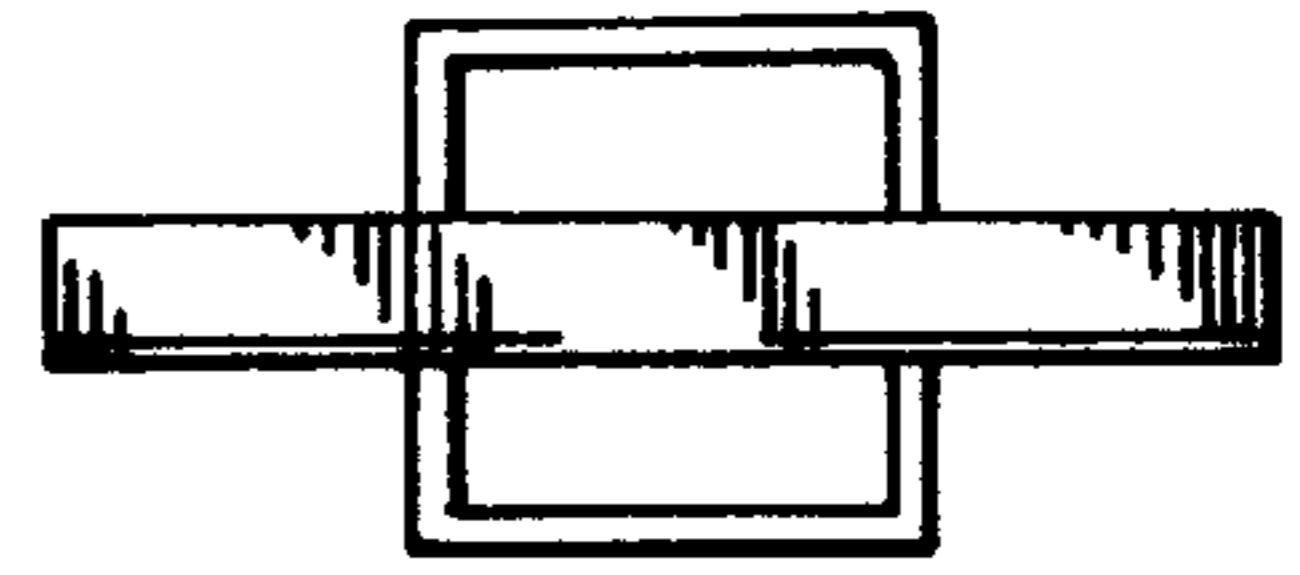


FIG. 18.

FIG. 17.

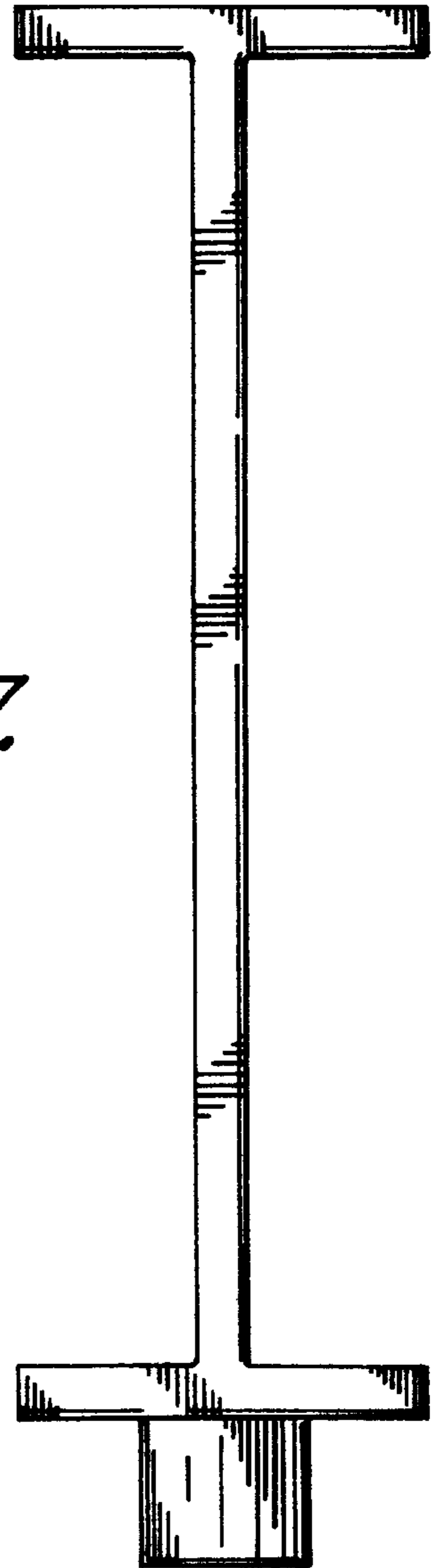


FIG. 20.

