



US00D423888S

United States Patent [19] Kaposi

[11] Patent Number: Des. 423,888

[45] Date of Patent: ** May 2, 2000

[54] MEAT TENDERIZER HEAD

[75] Inventor: Sascha Kaposi, Seattle, Wash.

[73] Assignee: Progressive International Corporation, Kent, Wash.

[**] Term: 14 Years

[21] Appl. No.: 29/104,545

[22] Filed: May 7, 1999

[51] LOC (7) Cl. 07-04

[52] U.S. Cl. D7/682

[58] Field of Search D7/682; 452/102, 452/141, 146, 147

[56] References Cited

U.S. PATENT DOCUMENTS

D. 181,054	9/1957	Hofberger	D7/682
198,459	12/1877	Hill et al.	452/146
D. 347,367	5/1994	Li	D7/682
D. 401,815	12/1998	Filipovic	D7/682

Primary Examiner—Terry A. Wallace
Attorney, Agent, or Firm—John R. Benefiel

[57] CLAIM

The ornamental design for a meat tenderizer head, as shown and described.

DESCRIPTION

FIG. 1 is a perspective view of a meat tenderizer head according to the present invention with an attached handle shown in phantom lines.

FIG. 2 is a top view of the meat tenderizer head shown in FIG. 1, with an attached handle shown in phantom lines.

FIG. 3 is a bottom view of the meat tenderizer head shown in FIGS. 1 and 2.

FIG. 4 is a front view of the meat tenderizer head shown in FIGS. 1–3, with an attached handle shown in phantom lines.

FIG. 5 is a left side view of the meat tenderizer head shown in FIGS. 1–4, with an attached handle shown in phantom lines.

FIG. 6 is a rear view of the meat tenderizer head shown in FIGS. 1–5, with an attached handle shown in phantom lines.

FIG. 7 is a right side view of the meat tenderizer head shown in FIGS. 1–6, with an attached handle shown in phantom lines.

The broken lines are for illustrative purposes only and form no part of the claimed design.

1 Claim, 3 Drawing Sheets

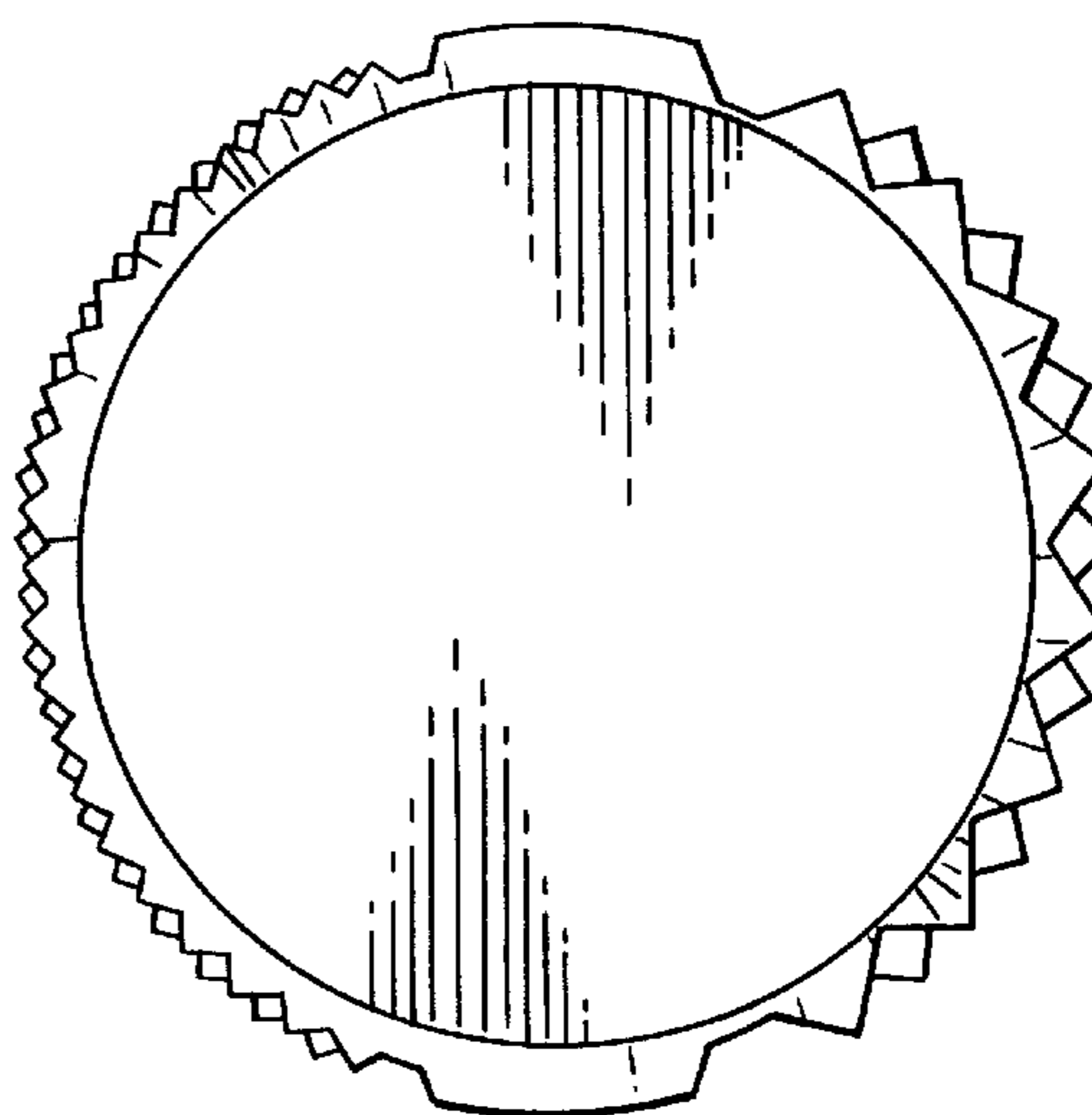
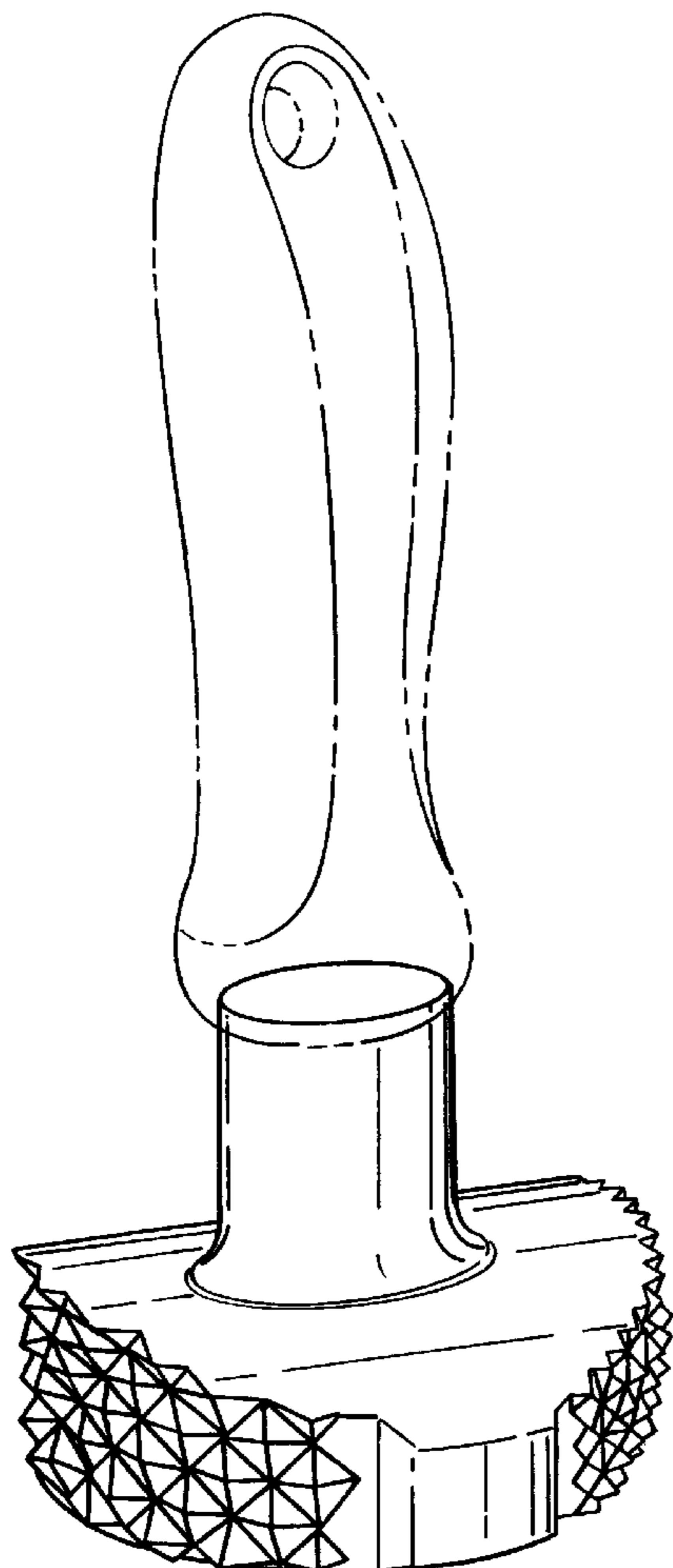


FIG-2

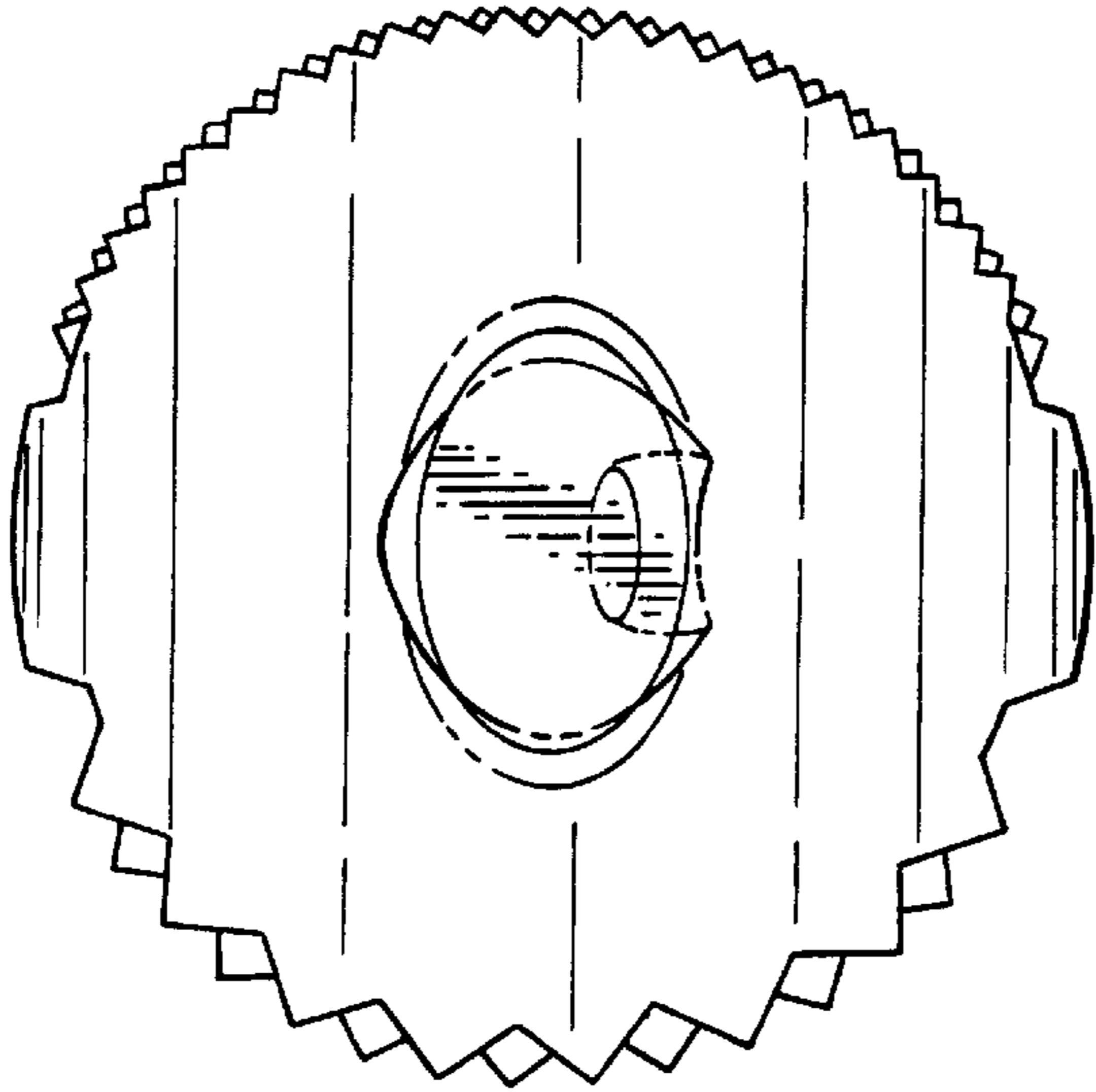


FIG-3

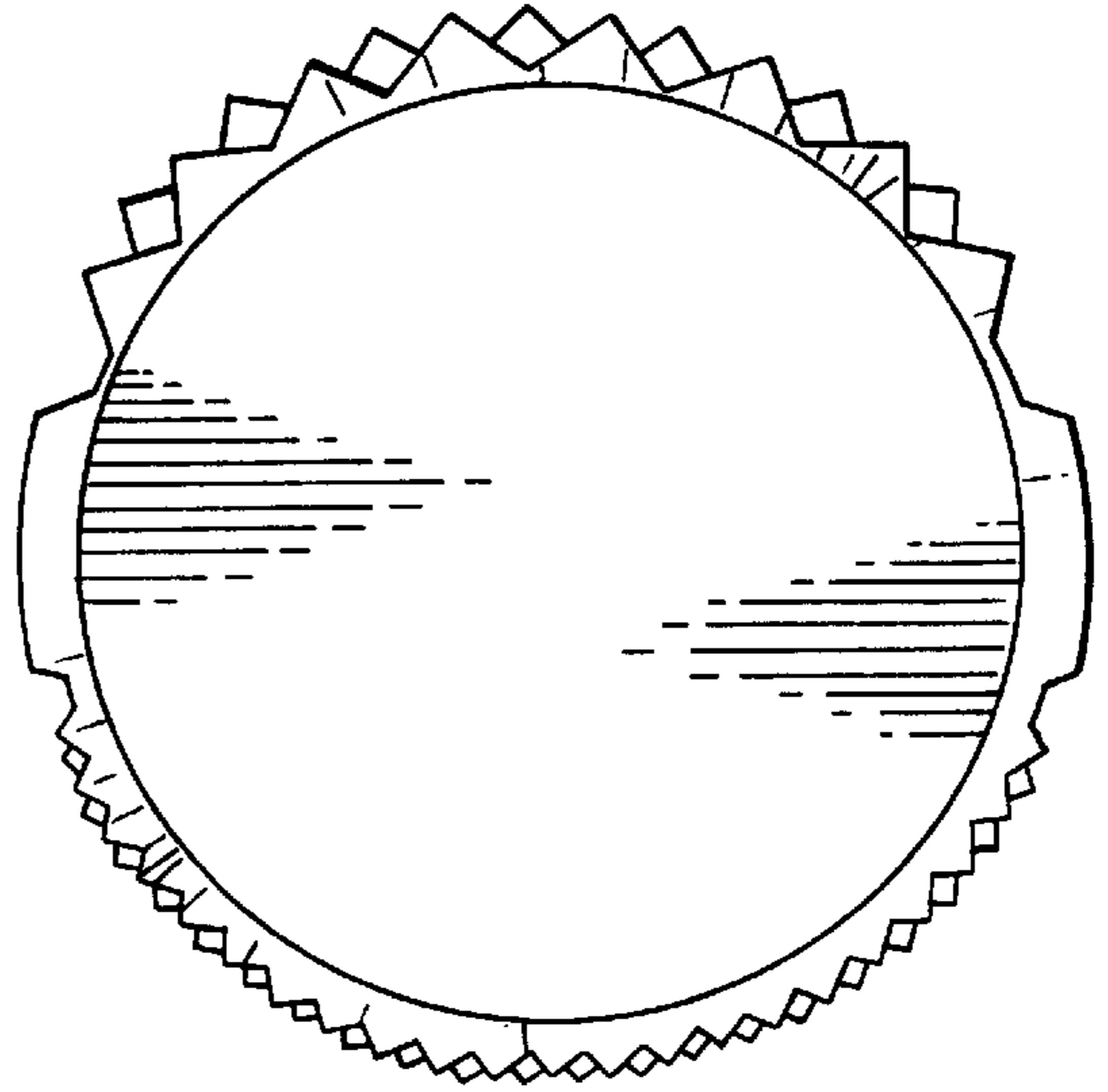
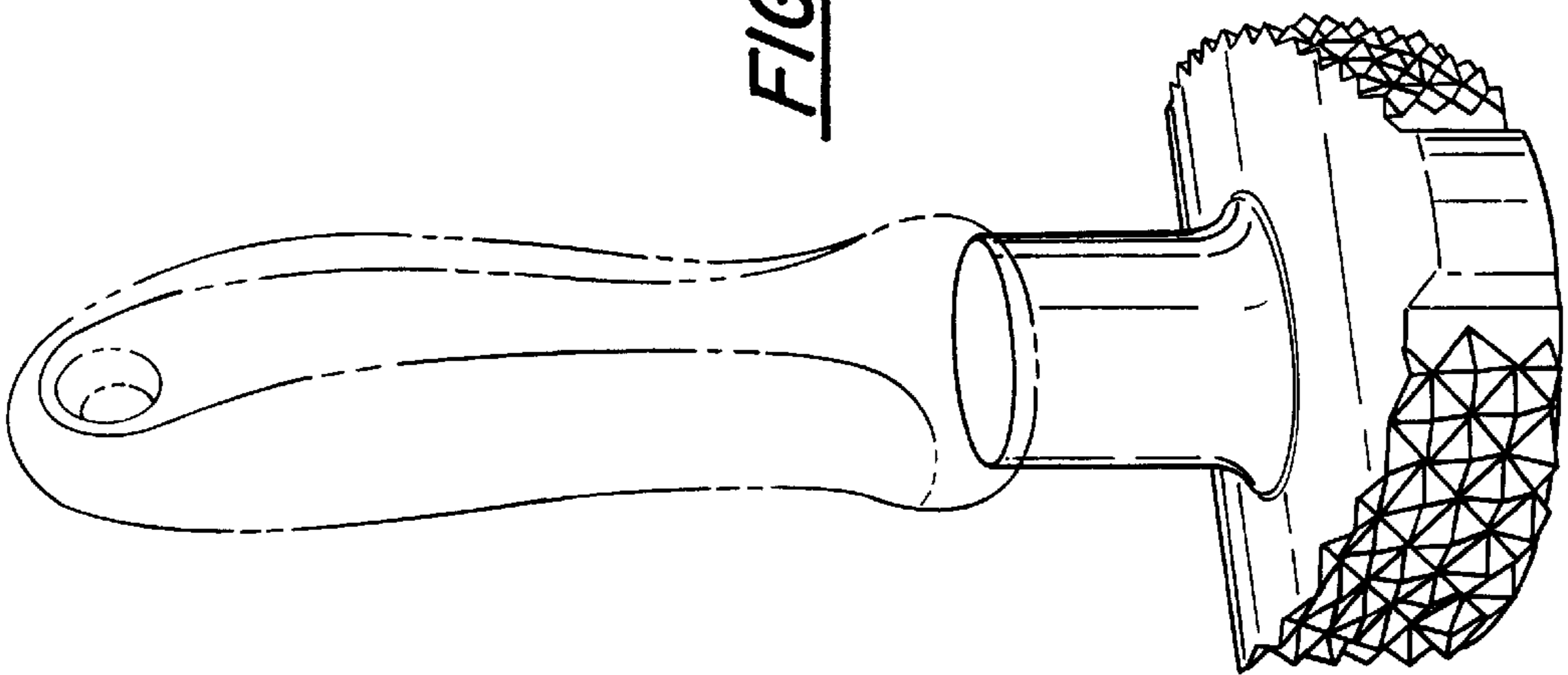


FIG-1



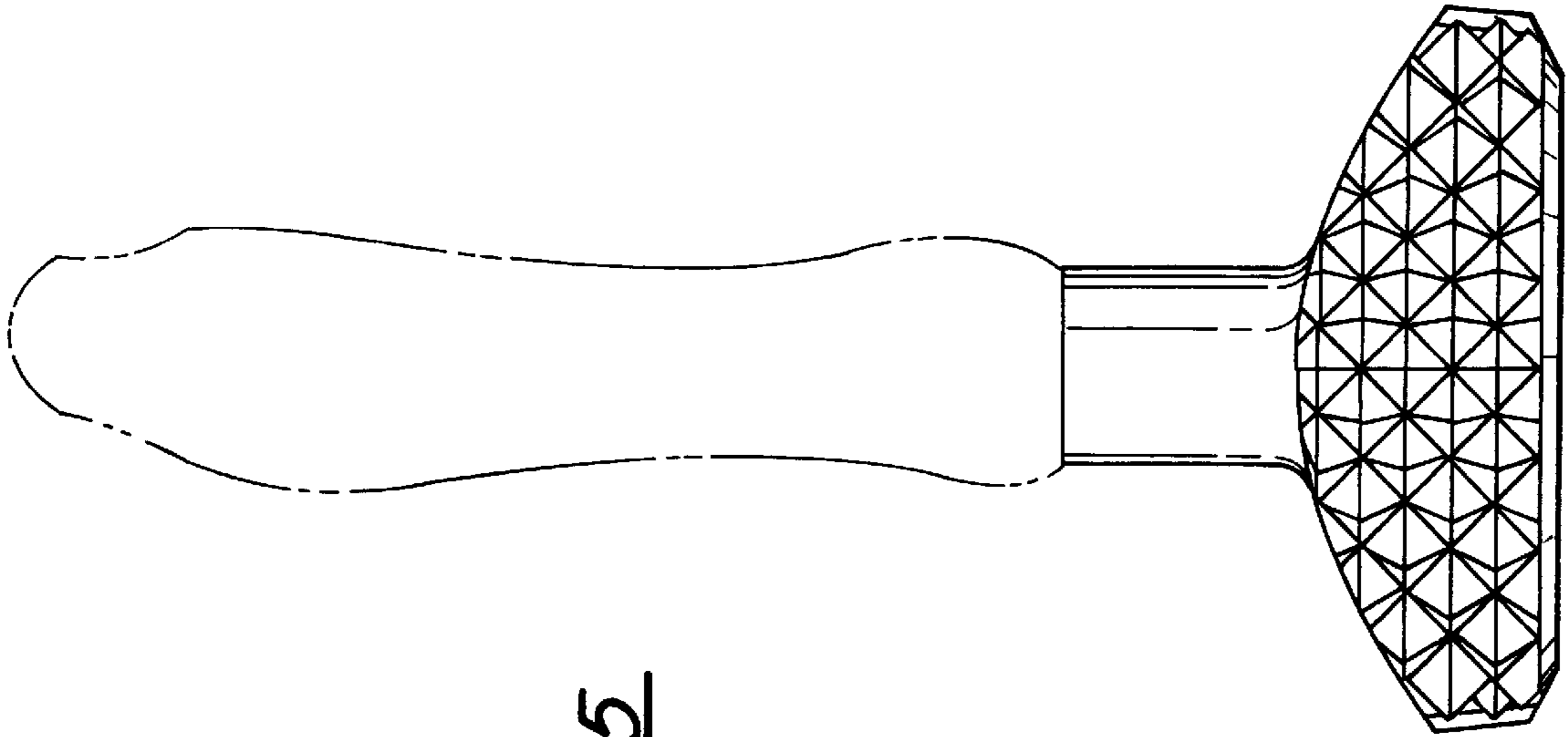


FIG-5

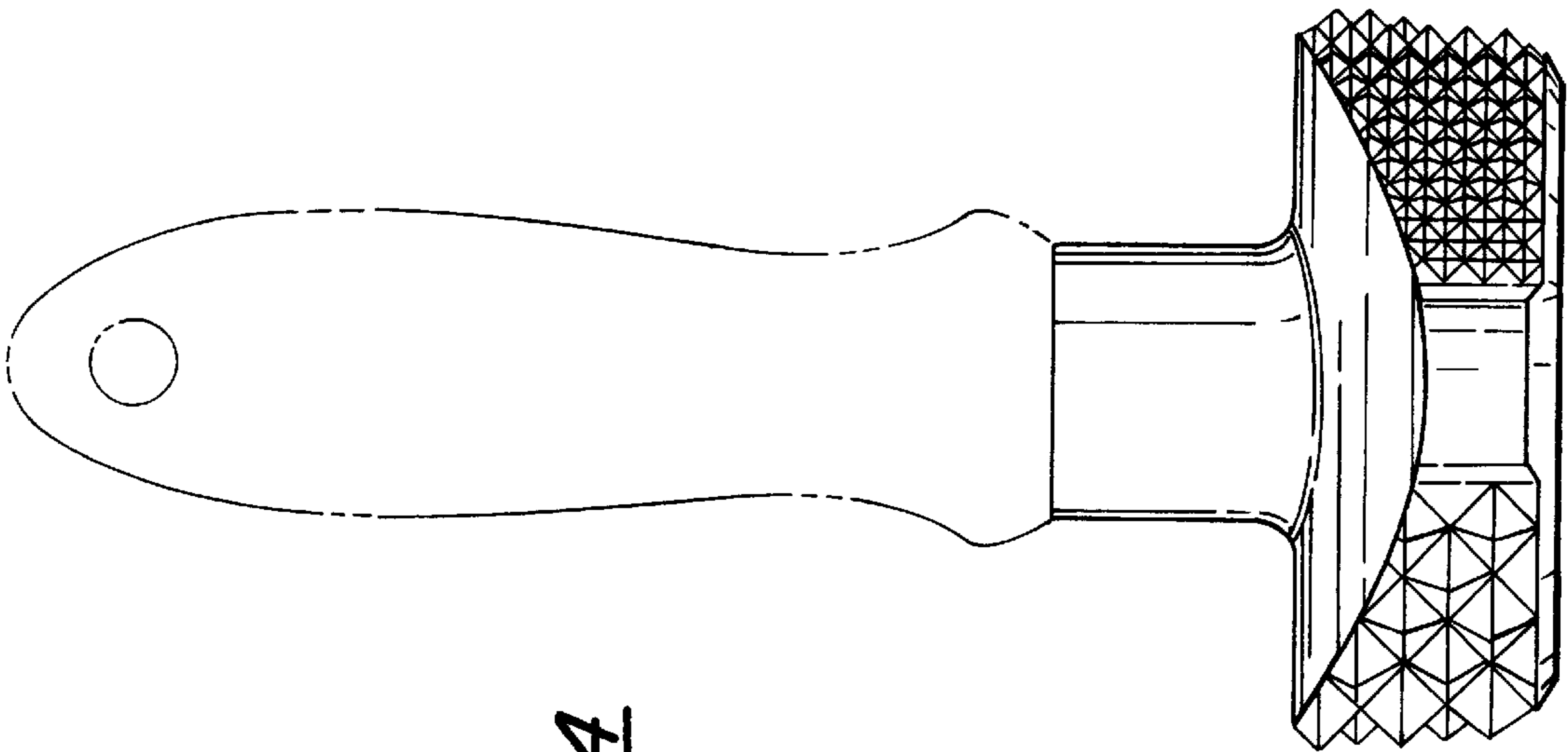


FIG-4

