



US00D423881S

**United States Patent** [19]  
**Pratt**

[11] **Patent Number: Des. 423,881**

[45] **Date of Patent: \*\* May 2, 2000**

[54] **PORTABLE COOLER**

D. 392,510 3/1998 Perez ..... D7/605

[76] Inventor: **Richard J. Pratt**, 12635 E. Jenan Dr.,  
Scottsdale, Ariz. 85259

*Primary Examiner*—Terry A. Wallace  
*Attorney, Agent, or Firm*—Gregory J. Nelson

[\*\*] Term: **14 Years**

[57] **CLAIM**

[21] Appl. No.: **29/106,122**

I claim the ornamental design for a portable cooler, as shown  
and described.

[22] Filed: **Jun. 8, 1999**

**DESCRIPTION**

[51] **LOC (7) Cl.** ..... **07-07**

FIG. 1 is a front perspective view of the portable cooler of  
my new design;

[52] **U.S. Cl.** ..... **D7/605; D7/607**

FIG. 2 is a top view thereof;

[58] **Field of Search** ..... D7/605-607; D3/273,  
D3/274; 62/457.1, 457.7, 371, 372; 220/915.1,  
915.2

FIG. 3 is a left side view thereof;

FIG. 4 is a front view thereof;

FIG. 5 is a right side view as viewed from the right side of  
FIG. 4; and,

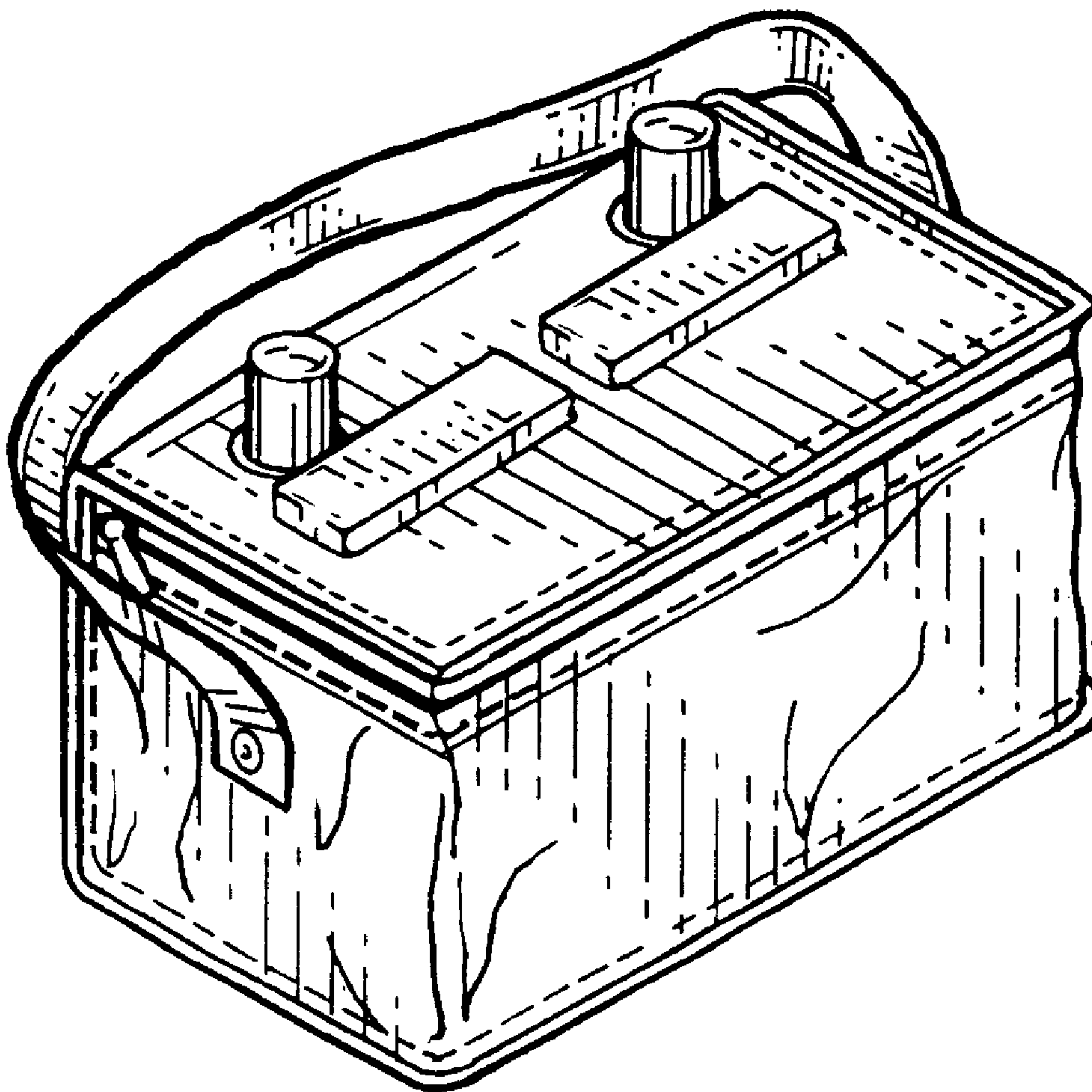
FIG. 6 is a bottom view of the portable cooler of my new  
design.

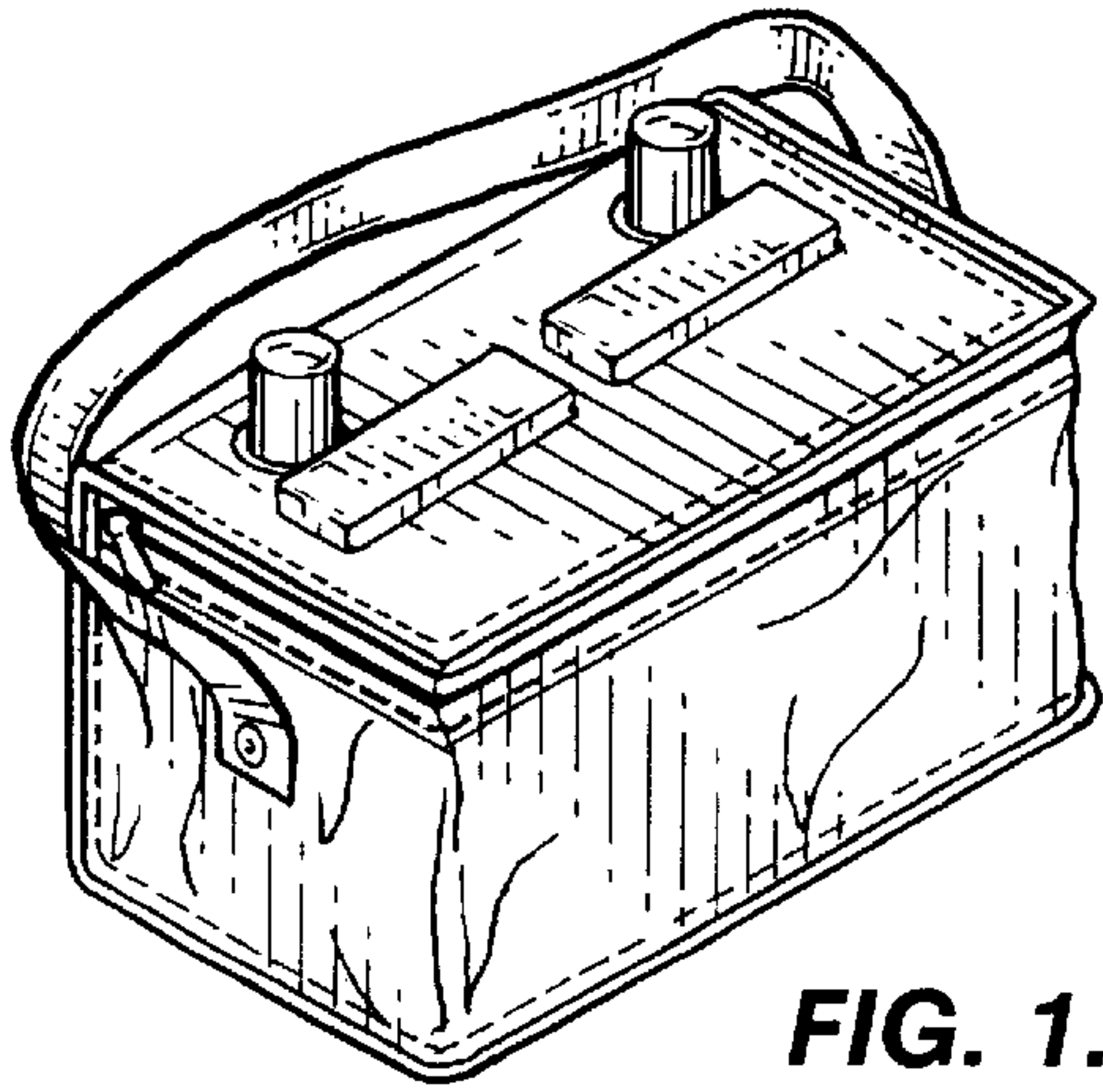
[56] **References Cited**

**U.S. PATENT DOCUMENTS**

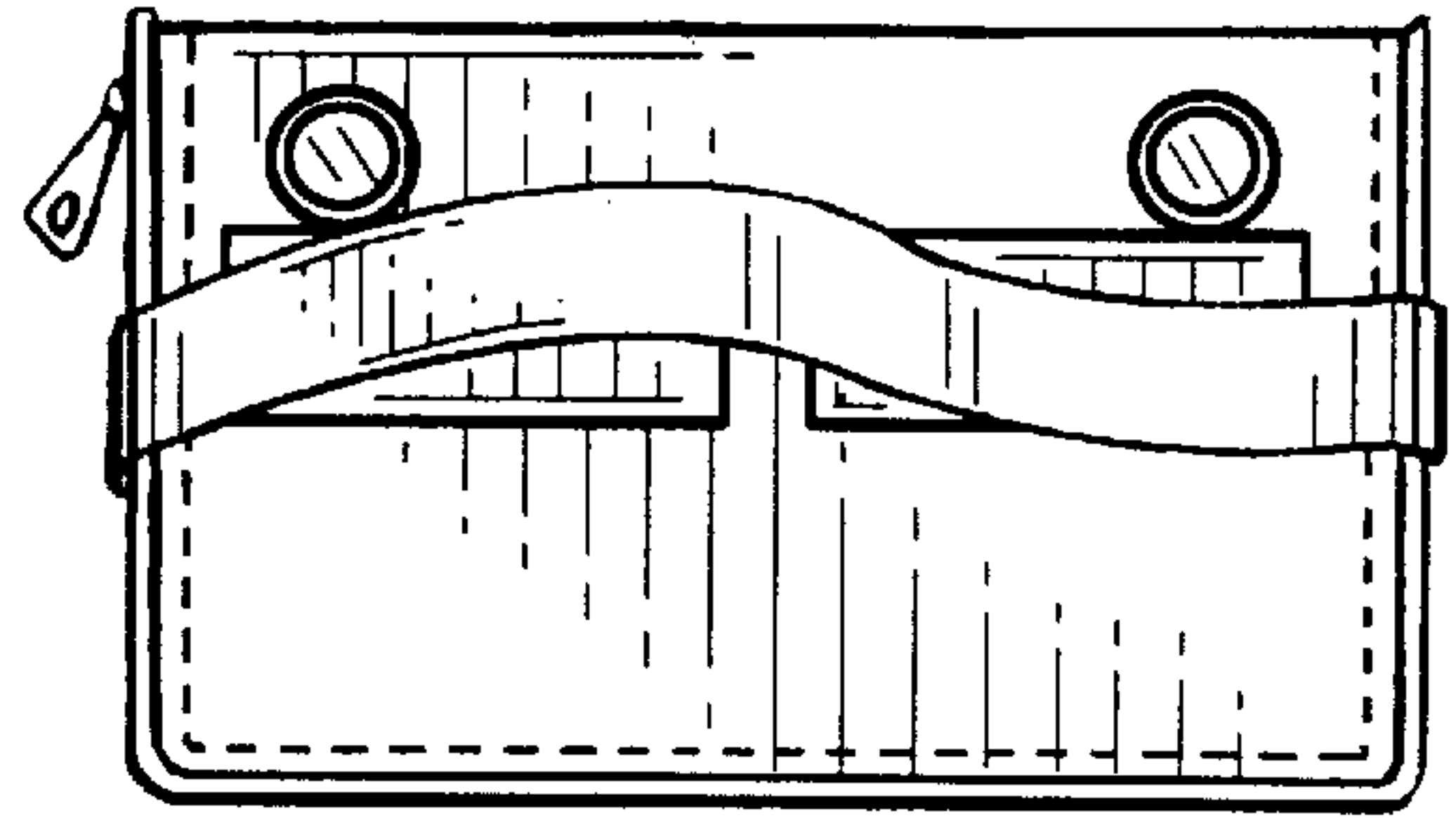
D. 180,490 6/1957 Lunan ..... D7/605 X  
D. 259,320 5/1981 Tarozzi ..... D7/605 X

**1 Claim, 1 Drawing Sheet**

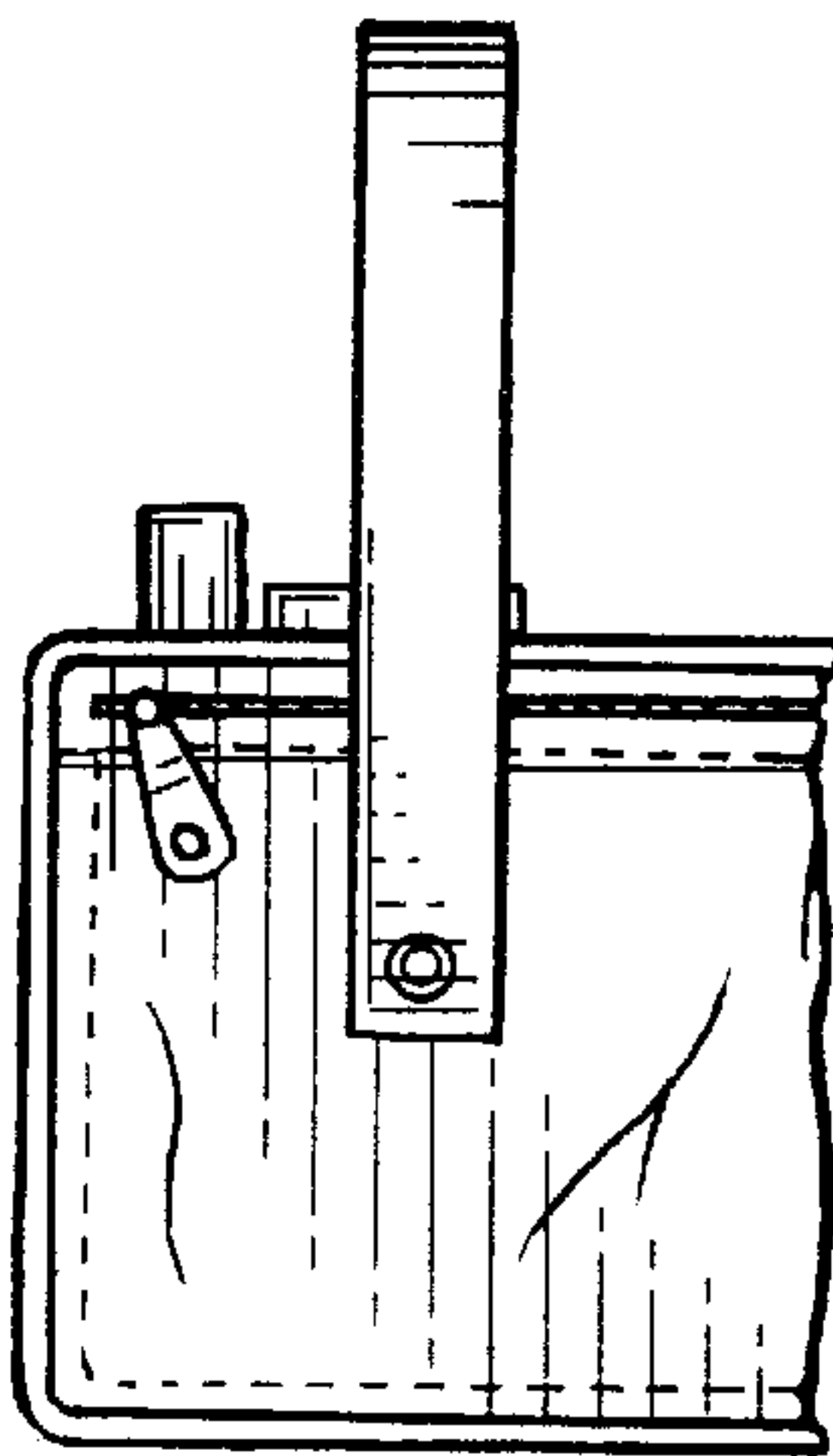




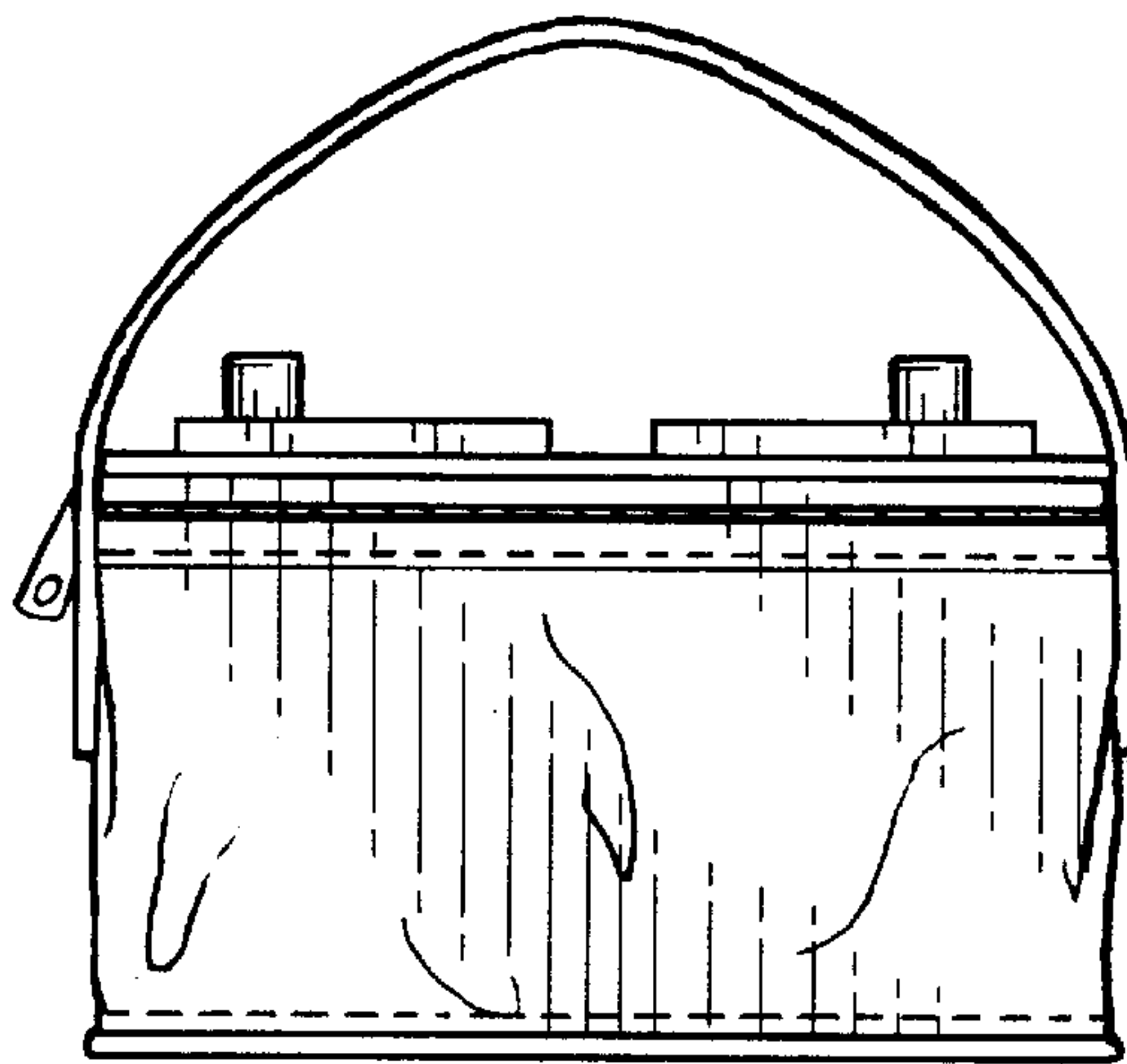
**FIG. 1.**



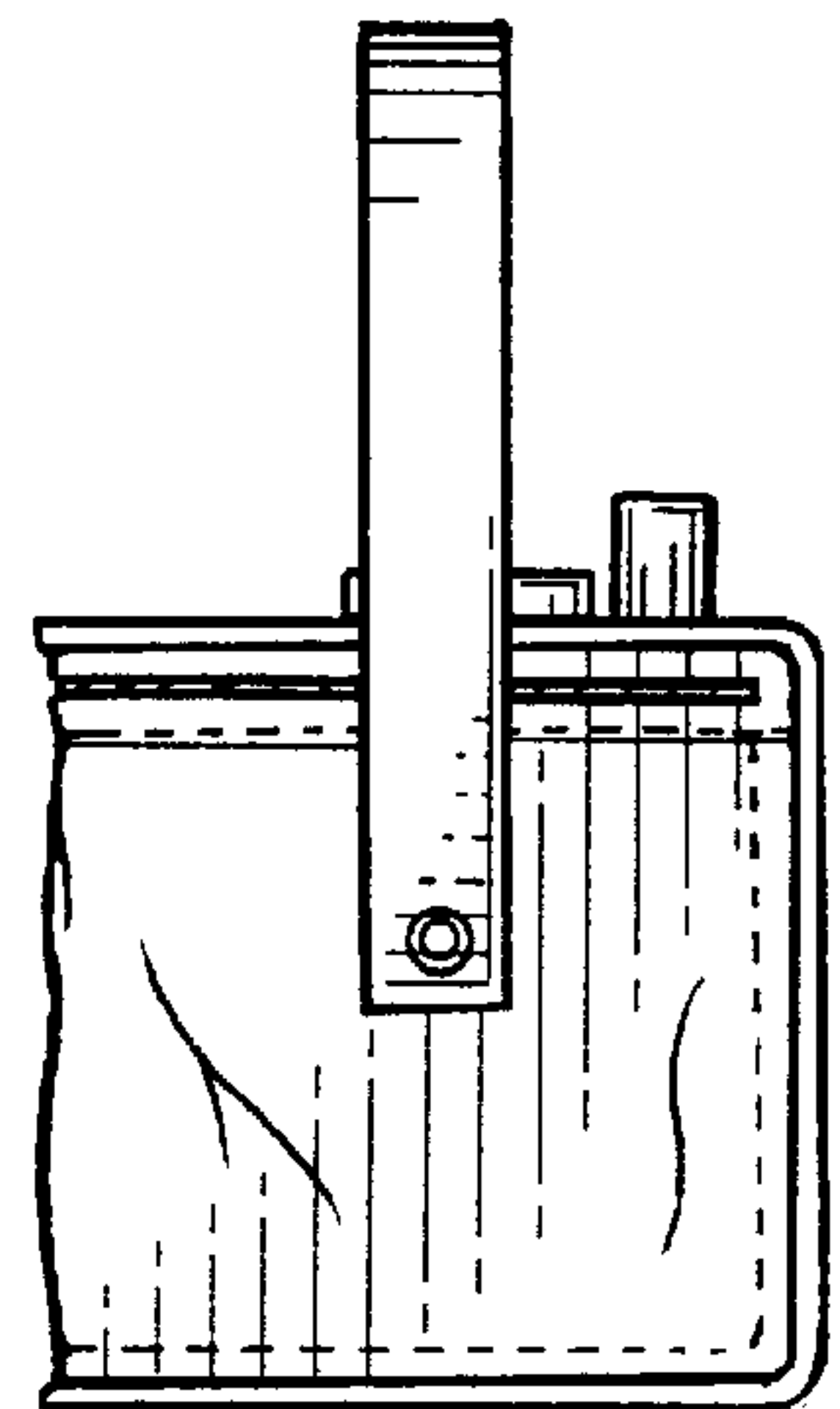
**FIG. 2.**



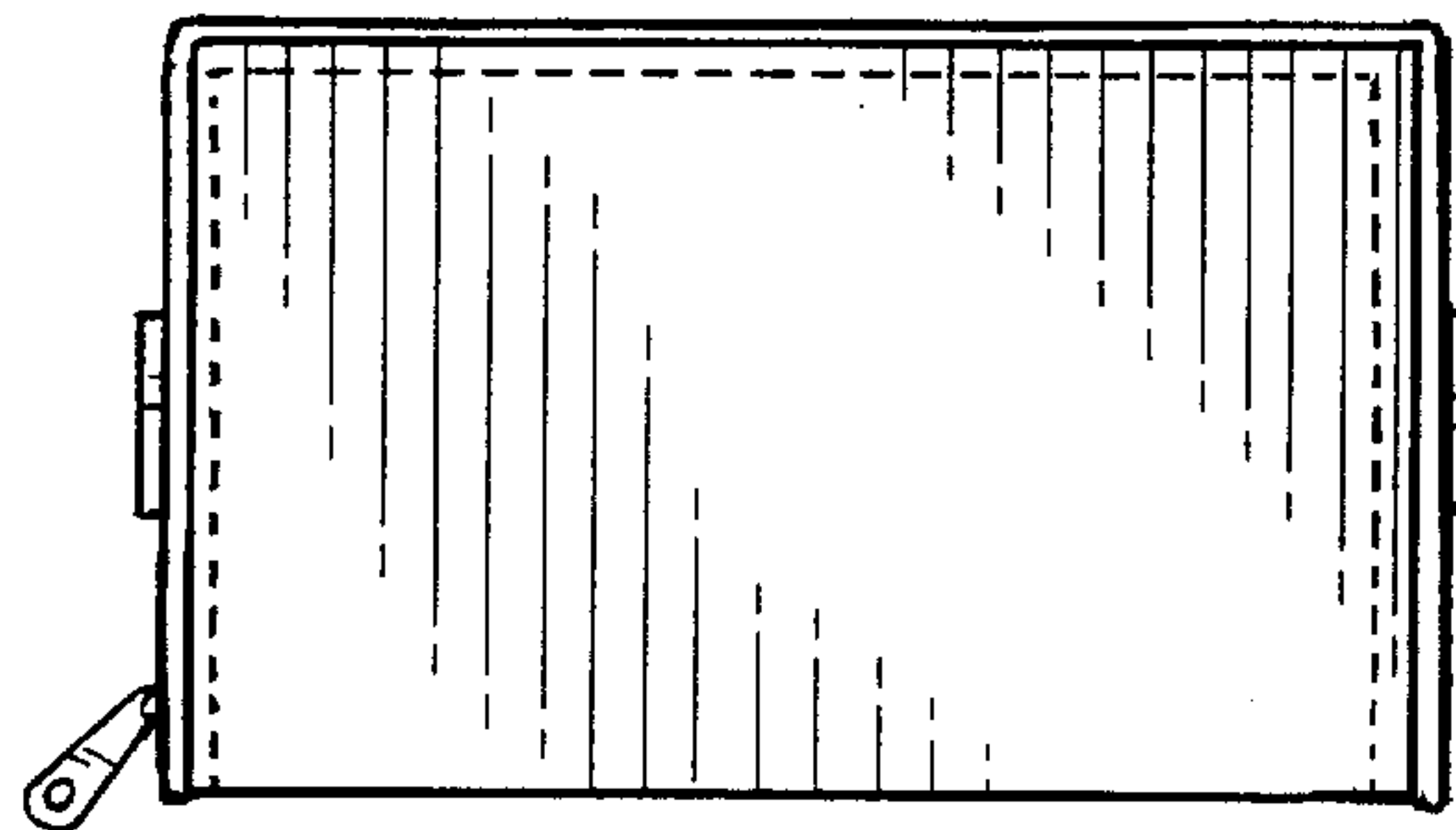
**FIG. 3.**



**FIG. 4.**



**FIG. 5.**



**FIG. 6.**